

[54] KIOSK

[75] Inventor: Tomás. C. Miñarro, Premia de Mar, Spain

[73] Assignee: Diseños y Representaciones, S.A., Premia de Mar, Spain

[**] Term: 14 Years

[21] Appl. No.: 193,591

[22] Filed: May 12, 1988

[52] U.S. Cl. D25/16; D25/1

[58] Field of Search D25/16, 1, 18-19, D25/22, 32, 56; D6/470, 476, 421, 423, 432, 555; 52/74, 79.4

[56] **References Cited**

U.S. PATENT DOCUMENTS

D. 197,174	12/1963	Filley, Jr.	D25/16
D. 299,959	2/1989	Montgomery	D25/16
2,890,498	6/1959	Bigelow	52/74
4,265,059	5/1981	Johnson	52/66

OTHER PUBLICATIONS

Sweets Catalog, 1976, p. 13.6/B1, Item 2—University Hilton.

Restaurants & Institutions, Aug. 1, 1983, p. 129.

Primary Examiner—A. Hugo Word

Assistant Examiner—Doris V. Coles

Attorney, Agent, or Firm—Michael J. Striker

[57] **CLAIM**

The ornamental design for a kiosk, as shown and described.

DESCRIPTION

FIG. 1 is a perspective view of a kiosk in the open position, showing my new design;

FIG. 2 is a top plan view thereof;

FIG. 3 is a front elevational view thereof;

FIG. 4 is a right side elevational view, the left side being a mirror image thereof;

FIG. 5 is a rear elevational view thereof;

FIG. 6 is a perspective view in the closed position;

FIG. 7 is a top plan view thereof;

FIG. 8 is a front elevational view thereof;

FIG. 9 is a right side elevational view, the left side being a mirror image thereof; and

FIG. 10 is a rear elevational view thereof.

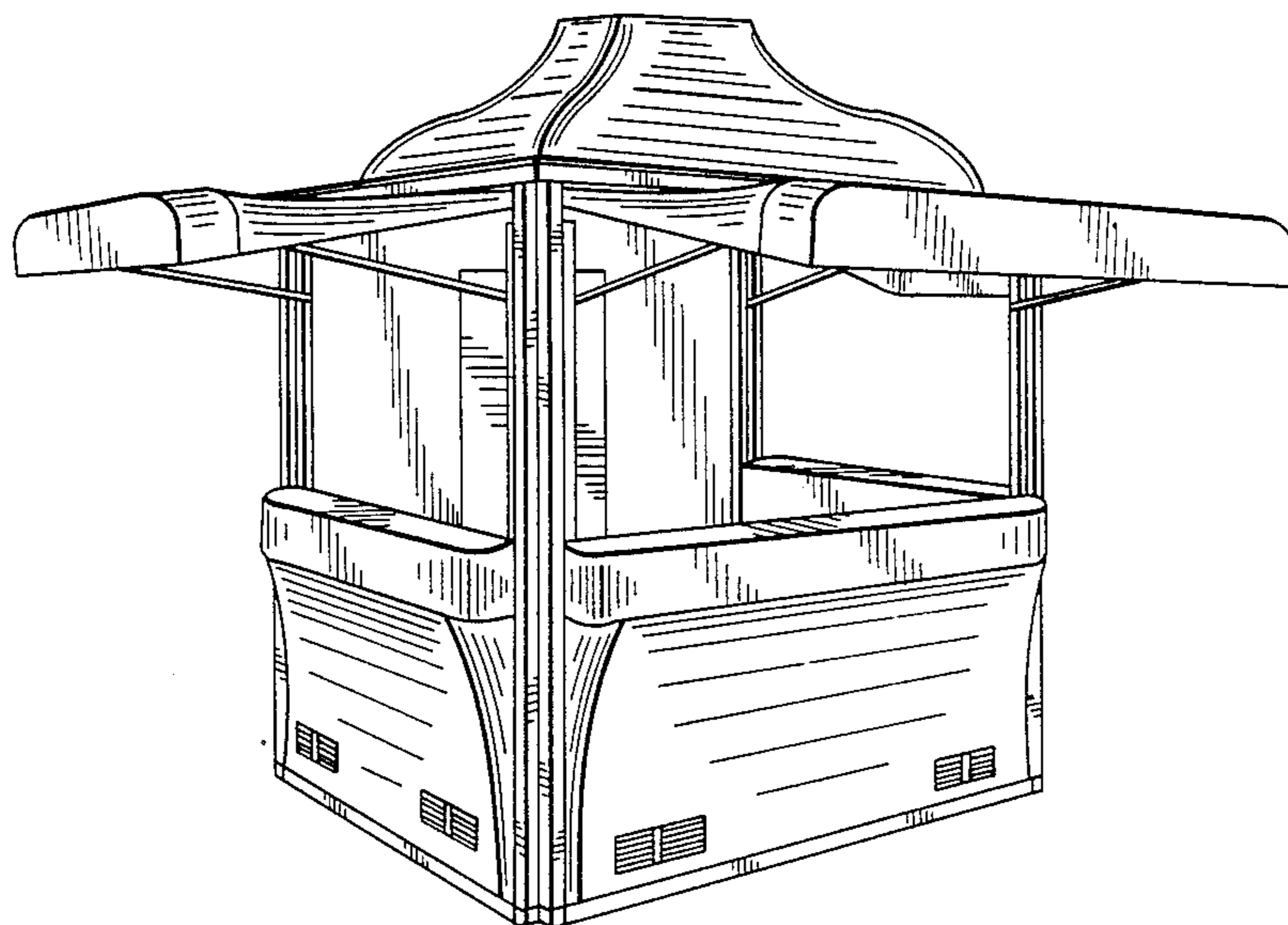


FIG. 1

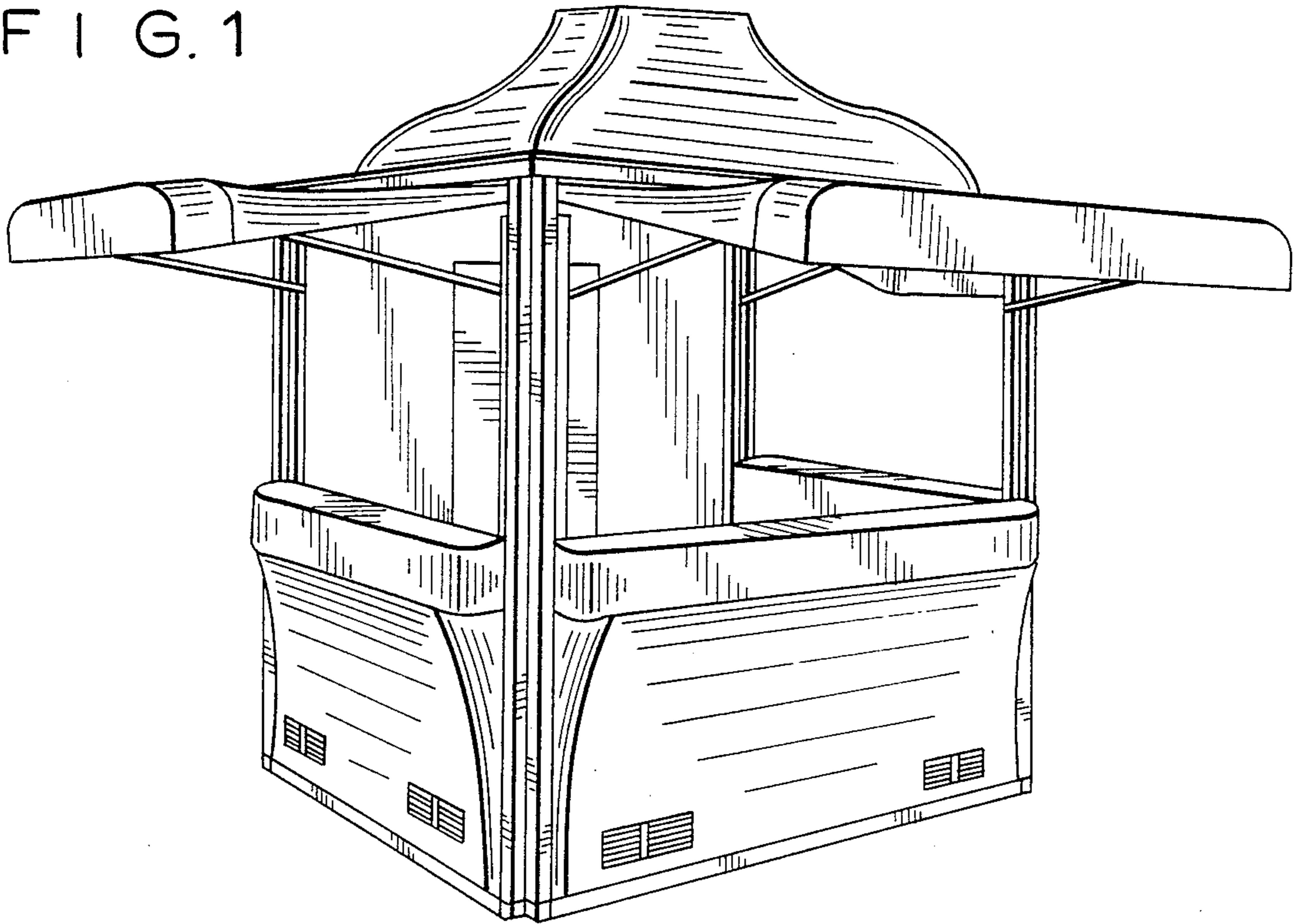
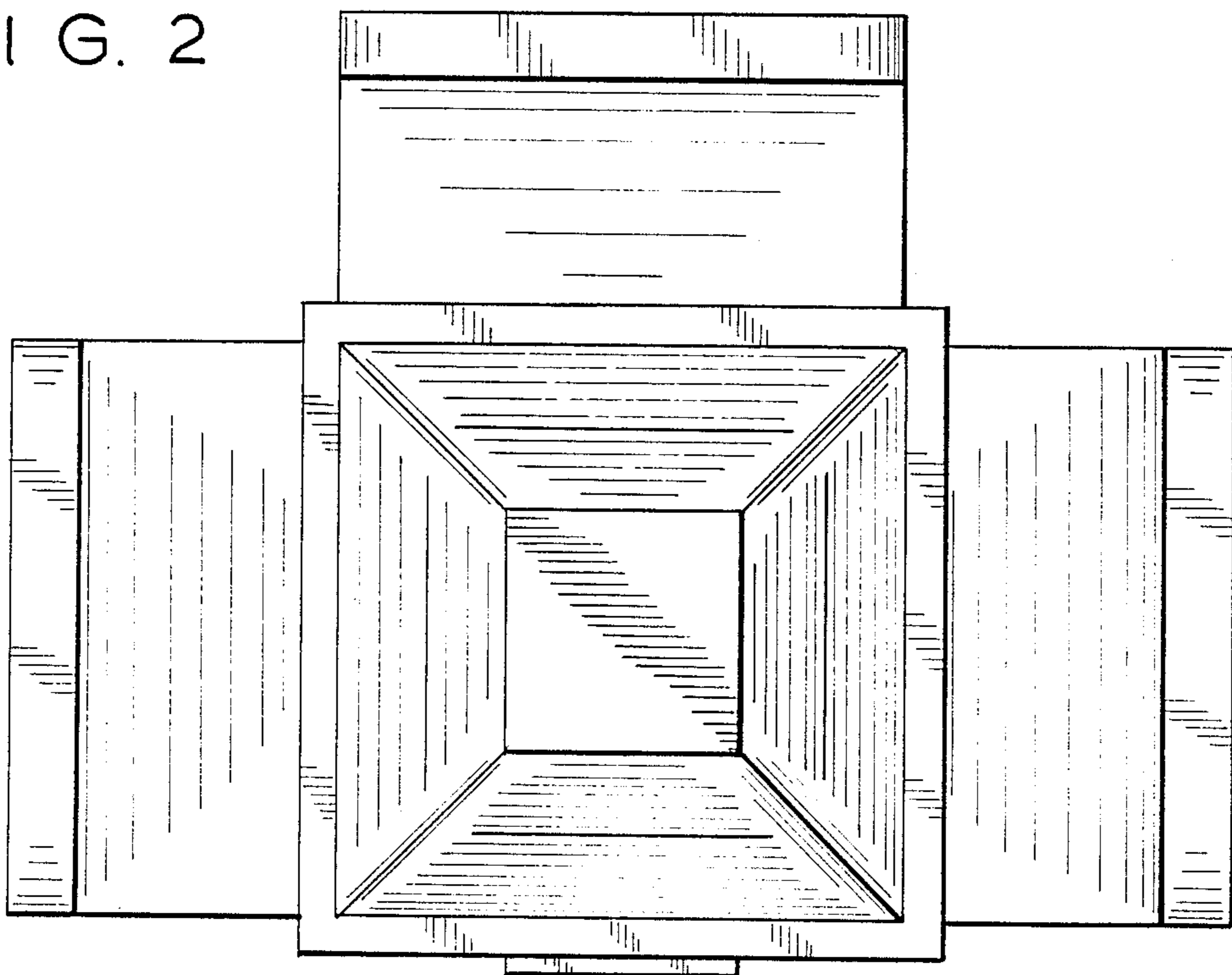
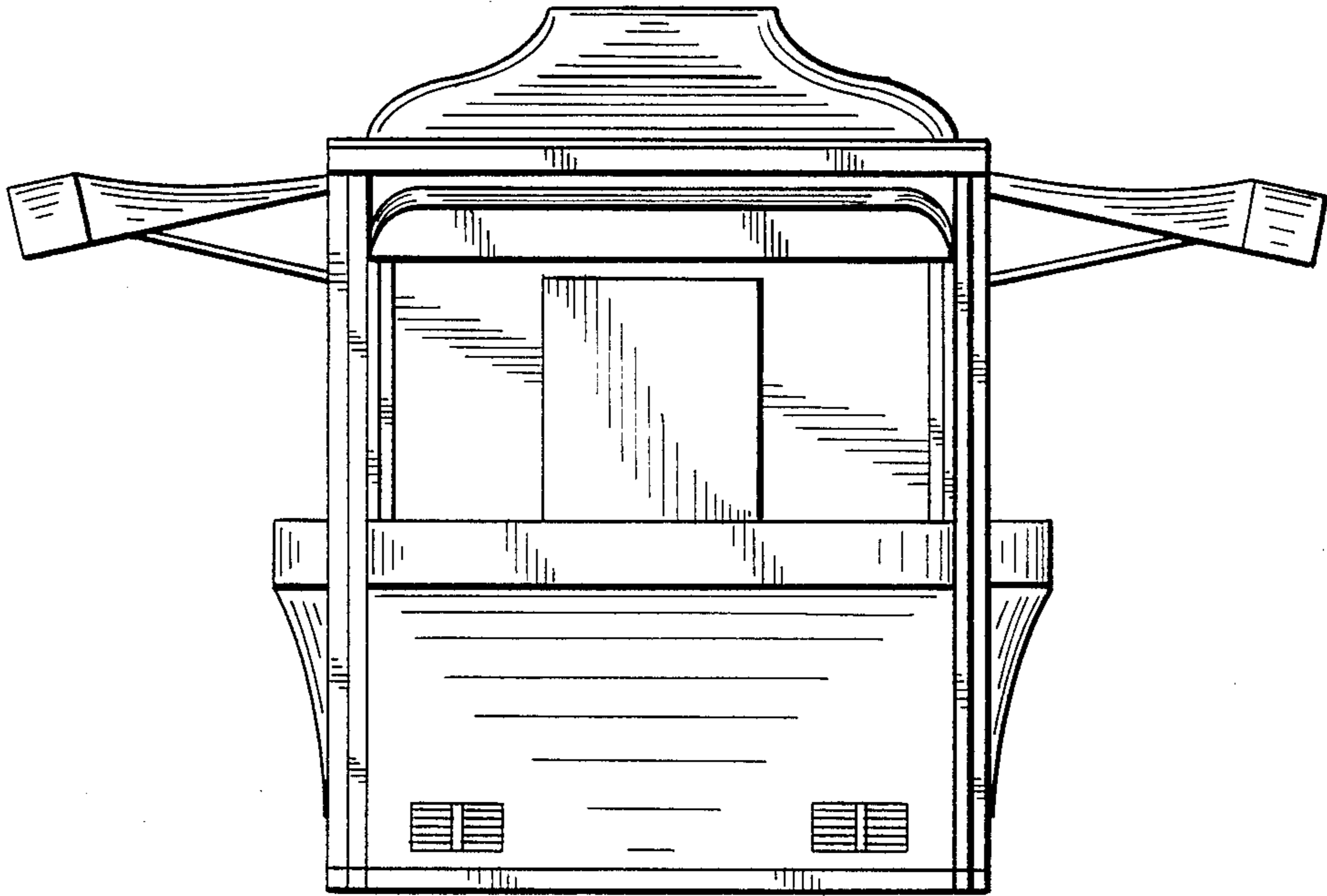


FIG. 2



F I G. 3



F I G. 4

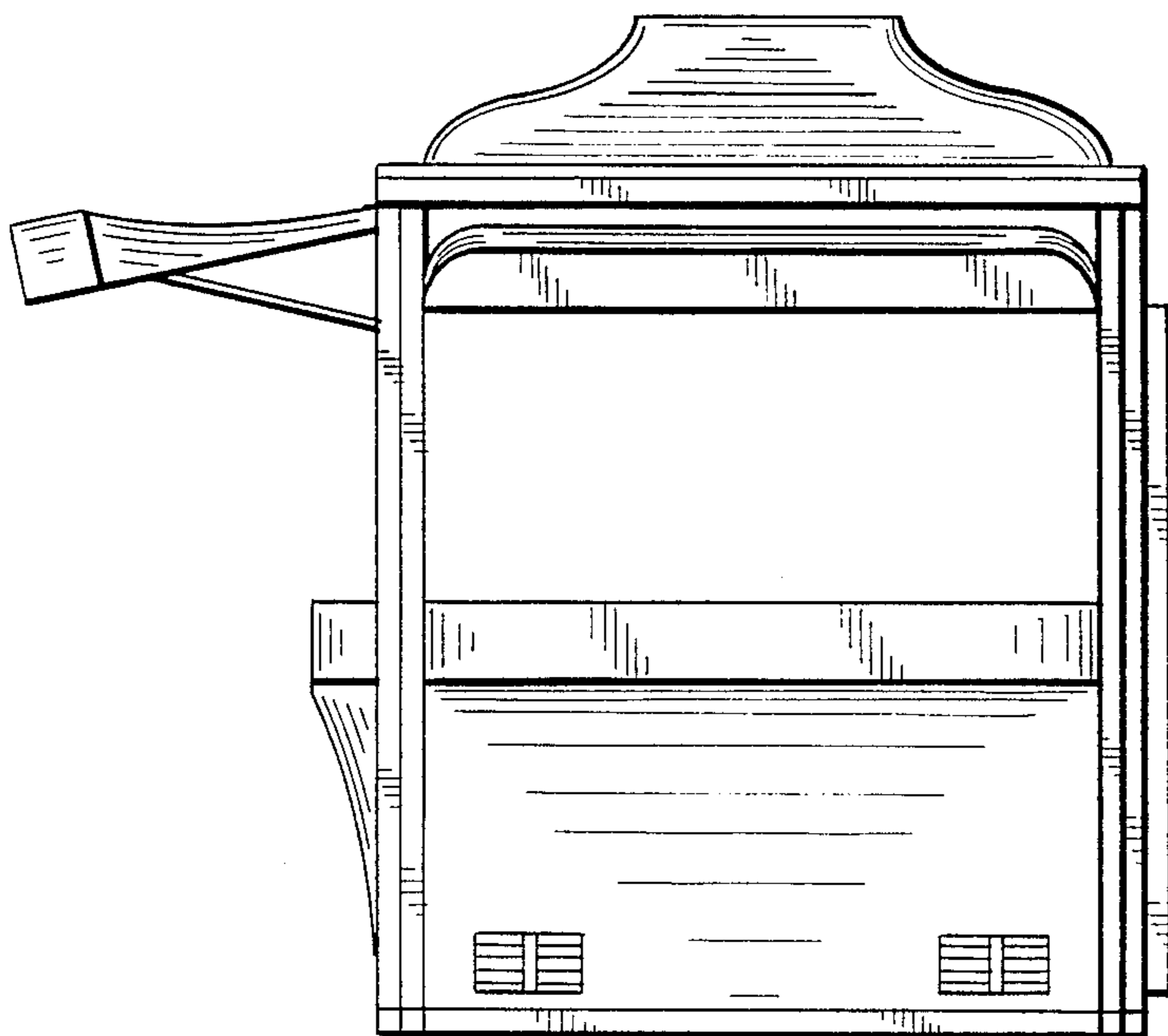


FIG. 5

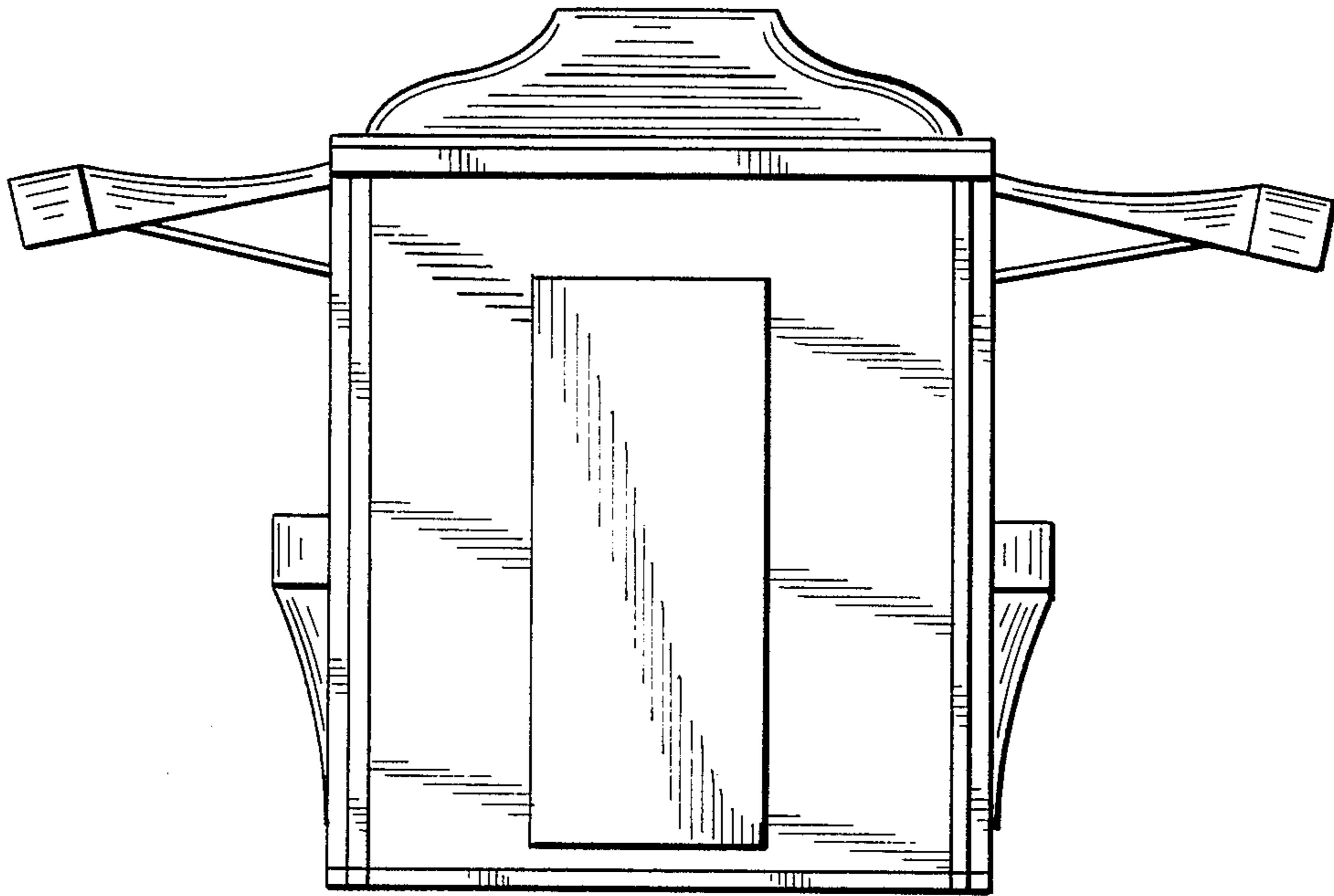


FIG. 10

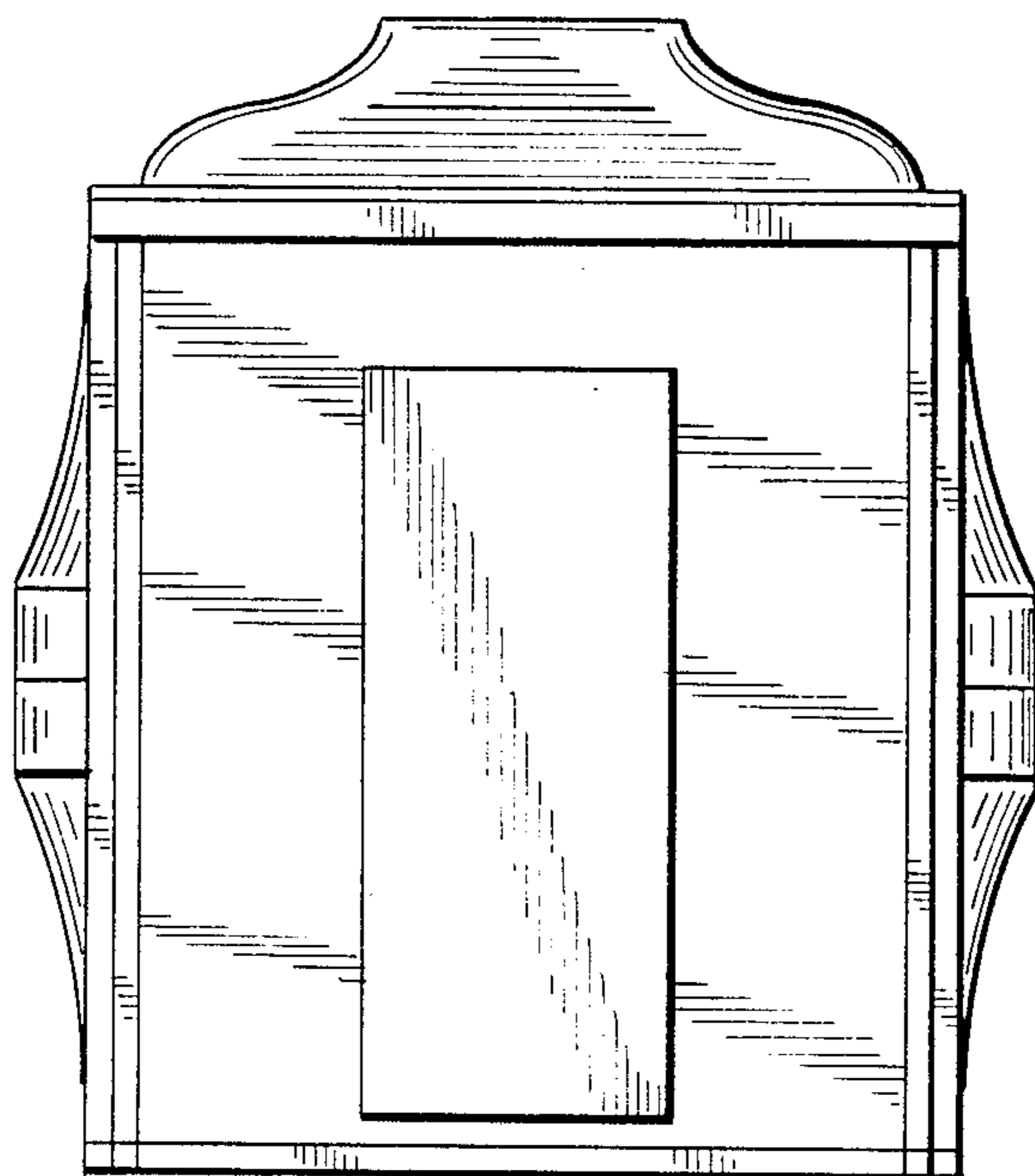


FIG. 6

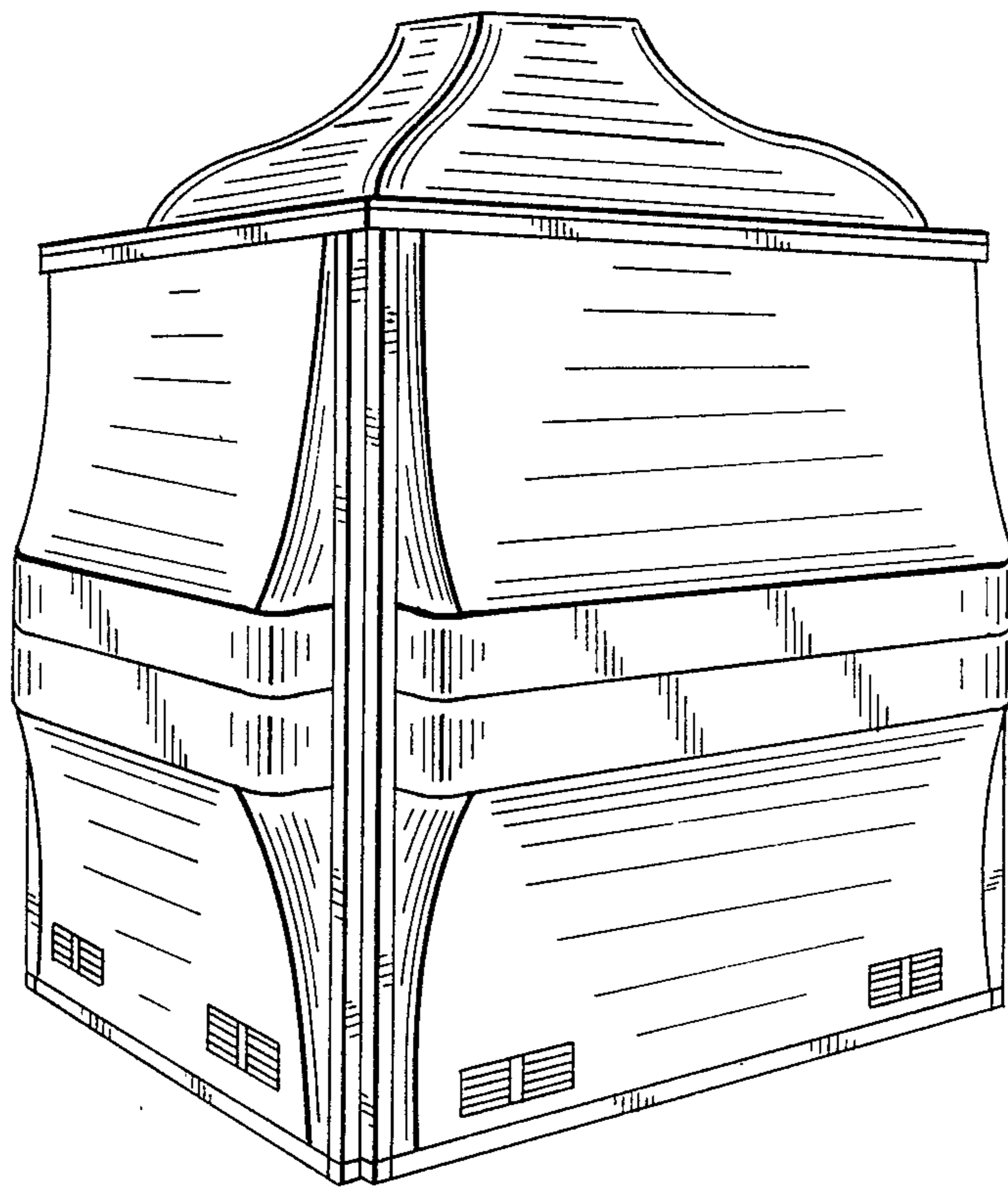


FIG. 7

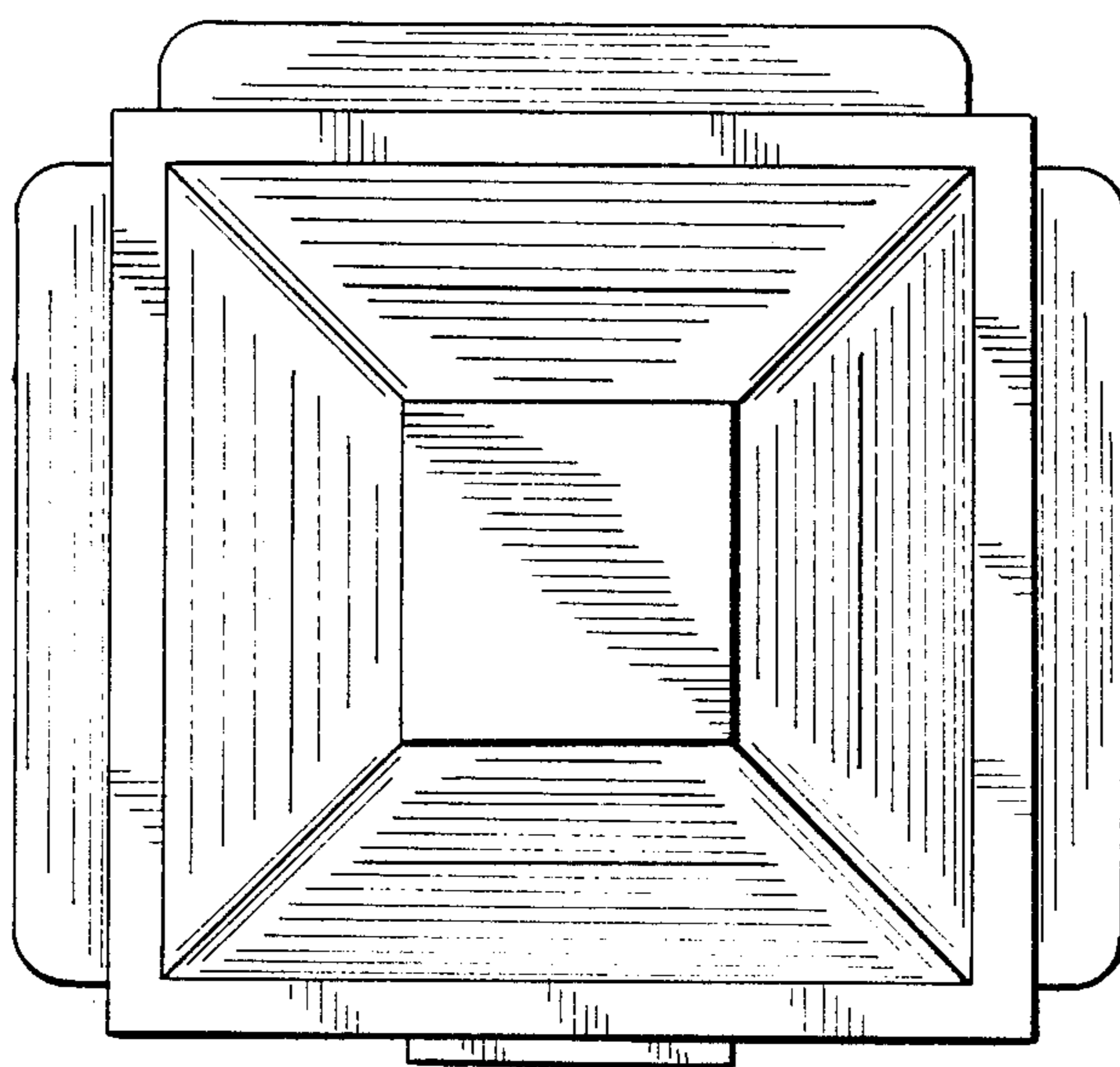


FIG. 8

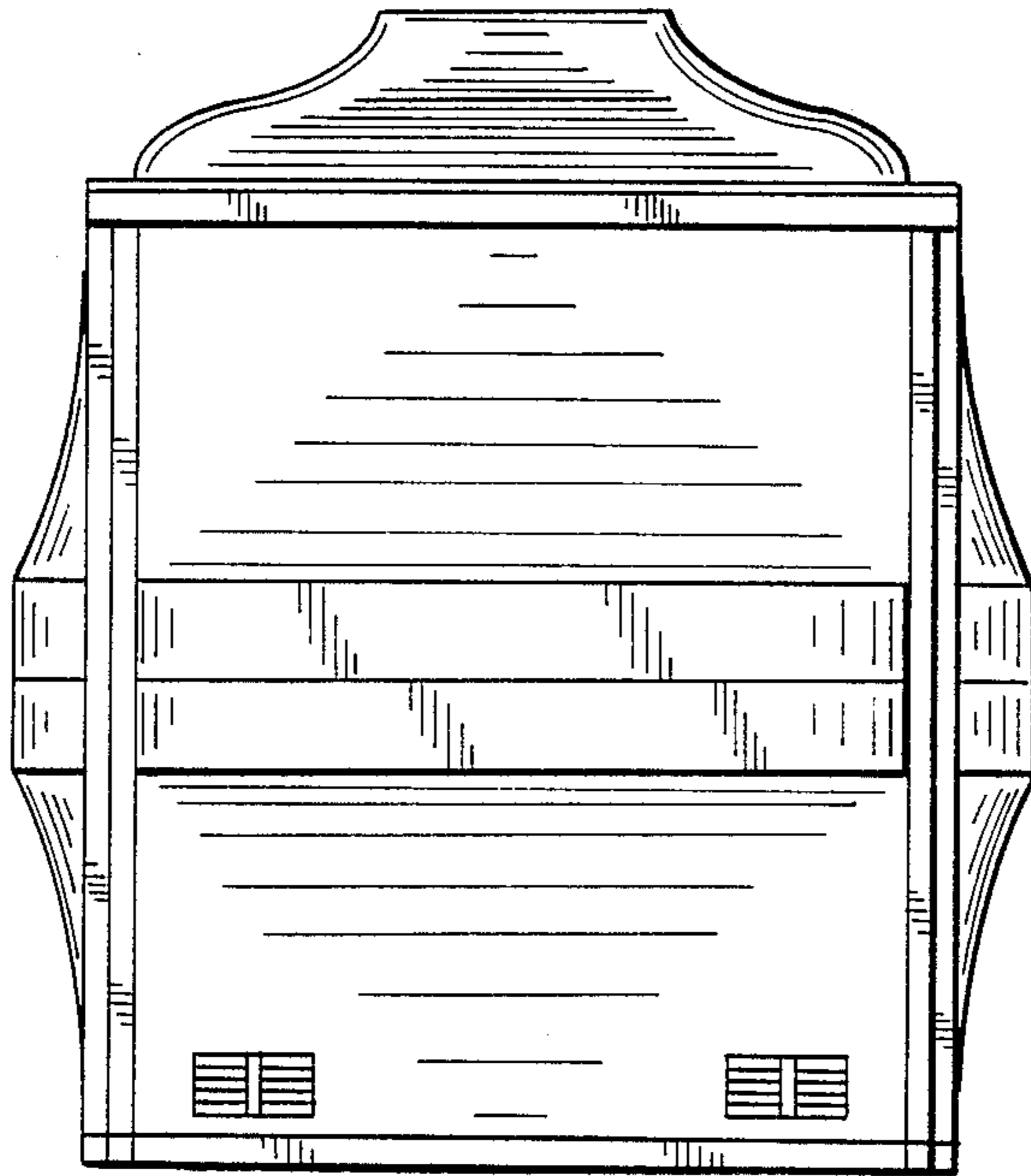
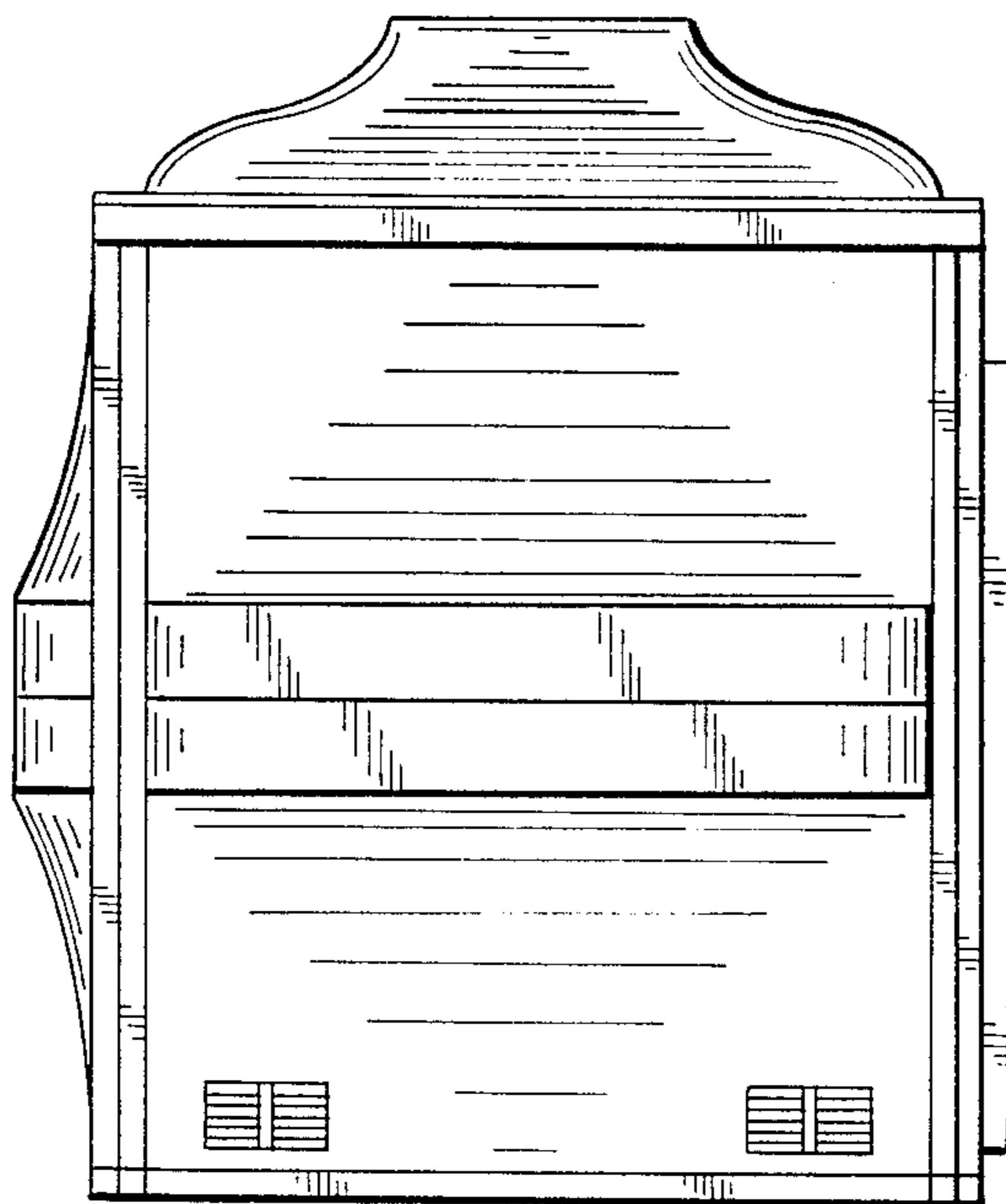


FIG. 9



UNITED STATES PATENT AND TRADEMARK OFFICE
CERTIFICATE OF CORRECTION

PATENT NO. : DES. 313,077
DATED : December 18, 1990
INVENTOR(S) : Tomás C. Miñarro

It is certified that error appears in the above-identified patent and that said Letters Patent is hereby corrected as shown below:

On the title page insert [30] Foreign Application Priority Data
November 13, 1987 [ES] Spain114386

Signed and Sealed this
Nineteenth Day of January, 1993

Attest:

Attesting Officer

DOUGLAS B. COMER

Acting Commissioner of Patents and Trademarks