

[54] MAGNETIC RESONANCE IMAGING  
MAGNET HOUSING

[75] Inventors: Leon Kaufman, San Francisco; Colin  
B. Kennedy, Mill Valley, both of  
Calif.

[73] Assignee: The Regents of the University of  
California, Berkeley, Calif.

[\*\*] Term: 14 Years

[21] Appl. No.: 113,725

[22] Filed: Oct. 28, 1987

[52] U.S. Cl. .... D24/2

[58] Field of Search ..... D24/2, 1.1; 324/309,  
324/307, 300, 318-320, 322

[56] References Cited

U.S. PATENT DOCUMENTS

D. 283,729	5/1986	Ramsey	.....	D24/1.1
D. 300,849	4/1989	Steinhilber et al.	.....	D24/2
4,629,989	12/1986	Riehl et al.	.....	324/318
4,634,980	1/1987	Misic et al.	.....	324/318

FOREIGN PATENT DOCUMENTS

766088 4/1989 Japan .  
7660881 9/1989 Japan .

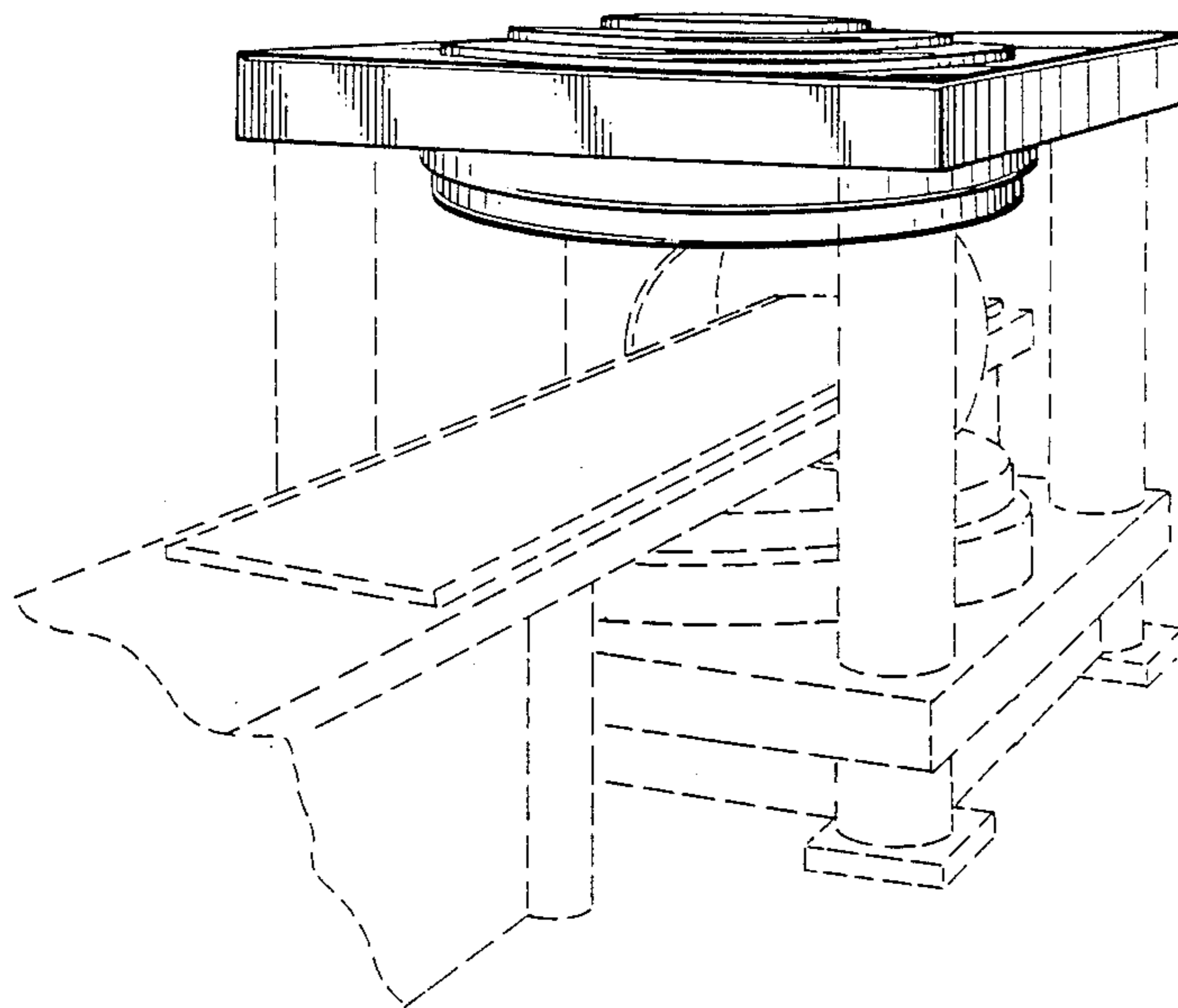
Primary Examiner—A. Hugo Word  
Assistant Examiner—Stella M. Reid  
Attorney, Agent, or Firm—Nixon & Vanderhye

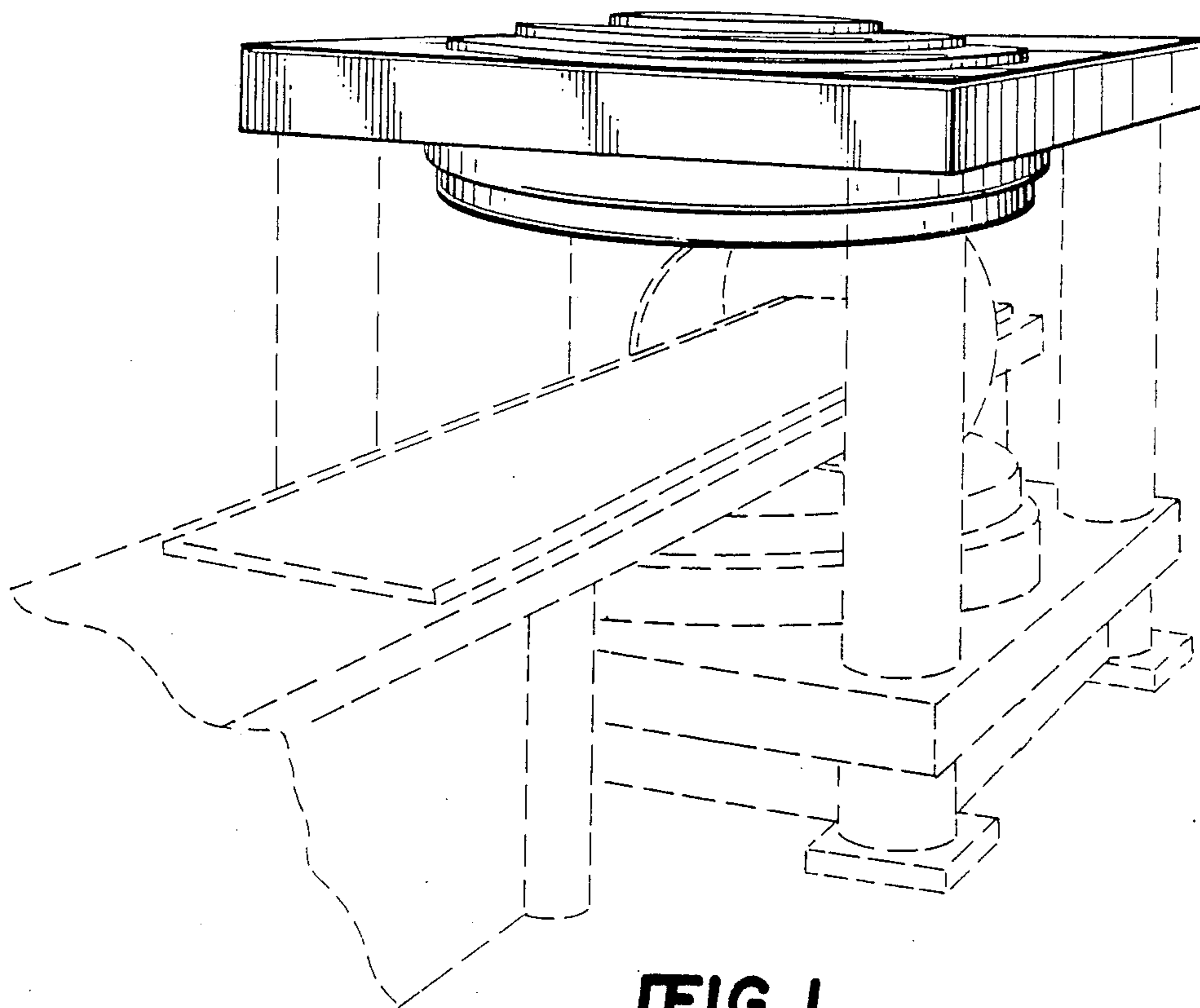
[57] CLAIM

The ornamental design for a magnetic resonance imaging magnet housing, as shown and described.

DESCRIPTION

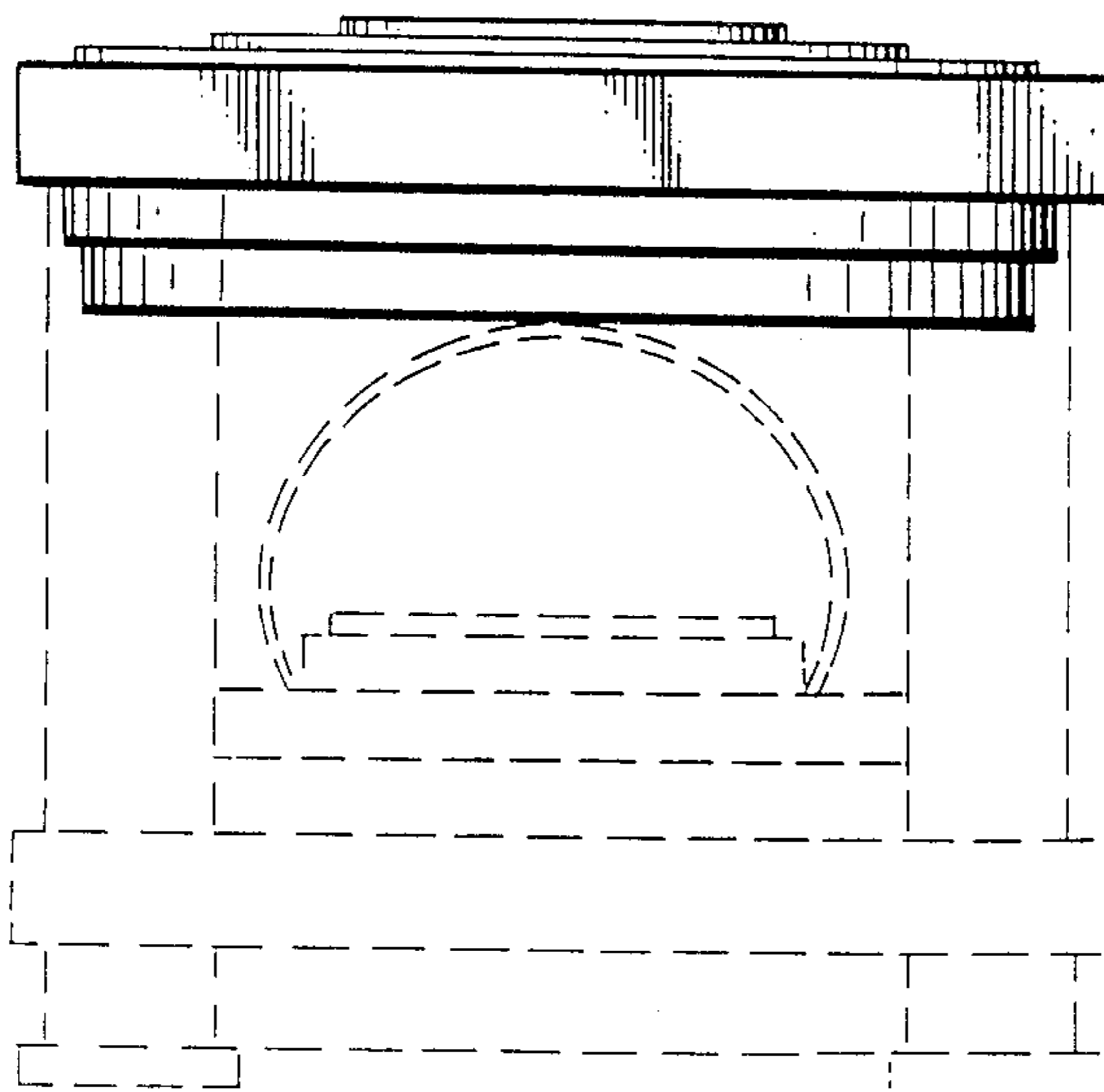
FIG. 1 is a perspective view of a magnetic resonance imaging magnet housing, showing our new design; FIG. 2 is an end elevational view thereof, the opposite end being identical; FIG. 3 is a side elevational view thereof, the opposite side being identical; FIG. 4 is a top plan view thereof; and FIG. 5 is a bottom plan view thereof. The broken line showing in FIGS. 1-5 is for illustrative purposes only and forms no part of the claimed design.



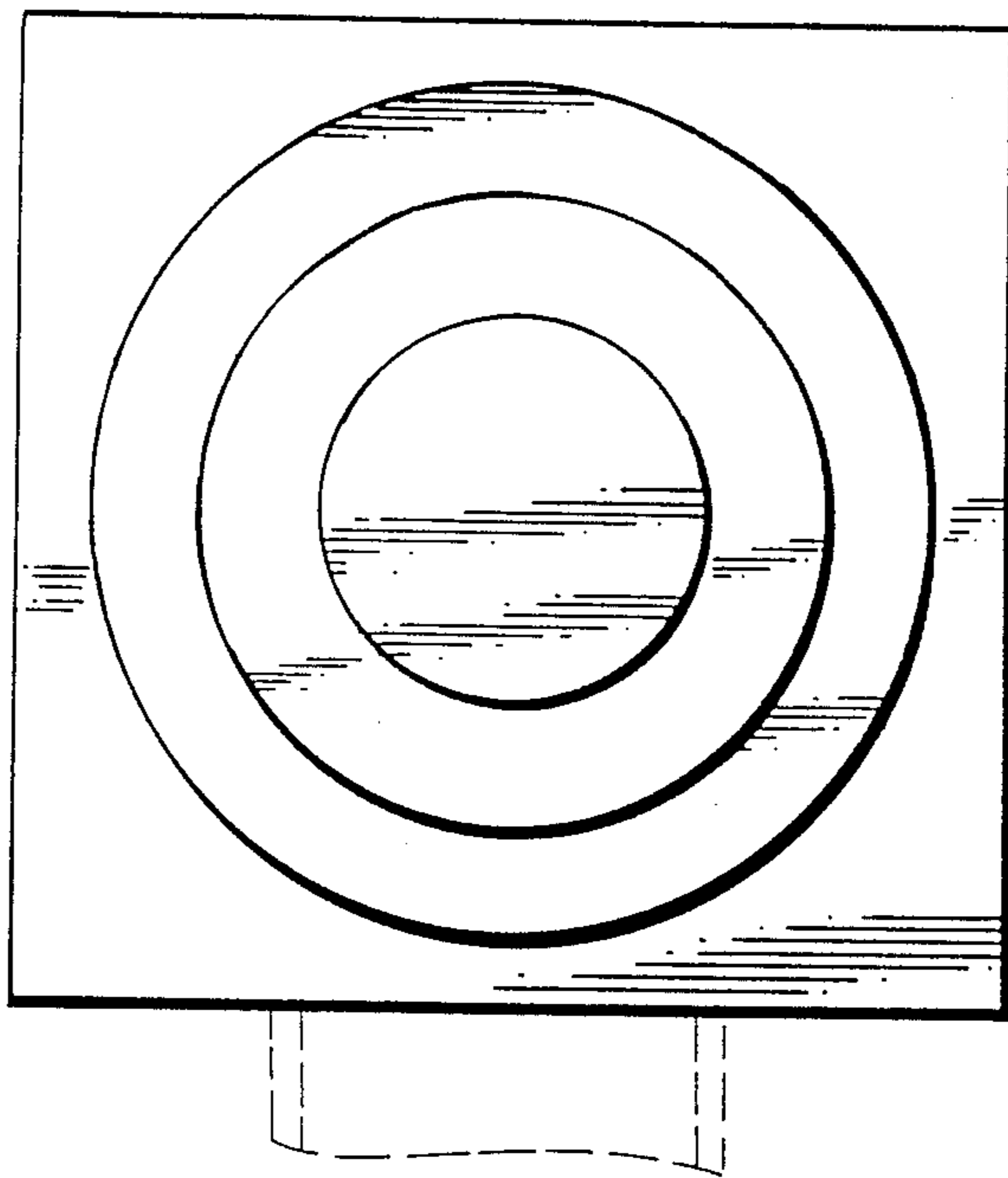
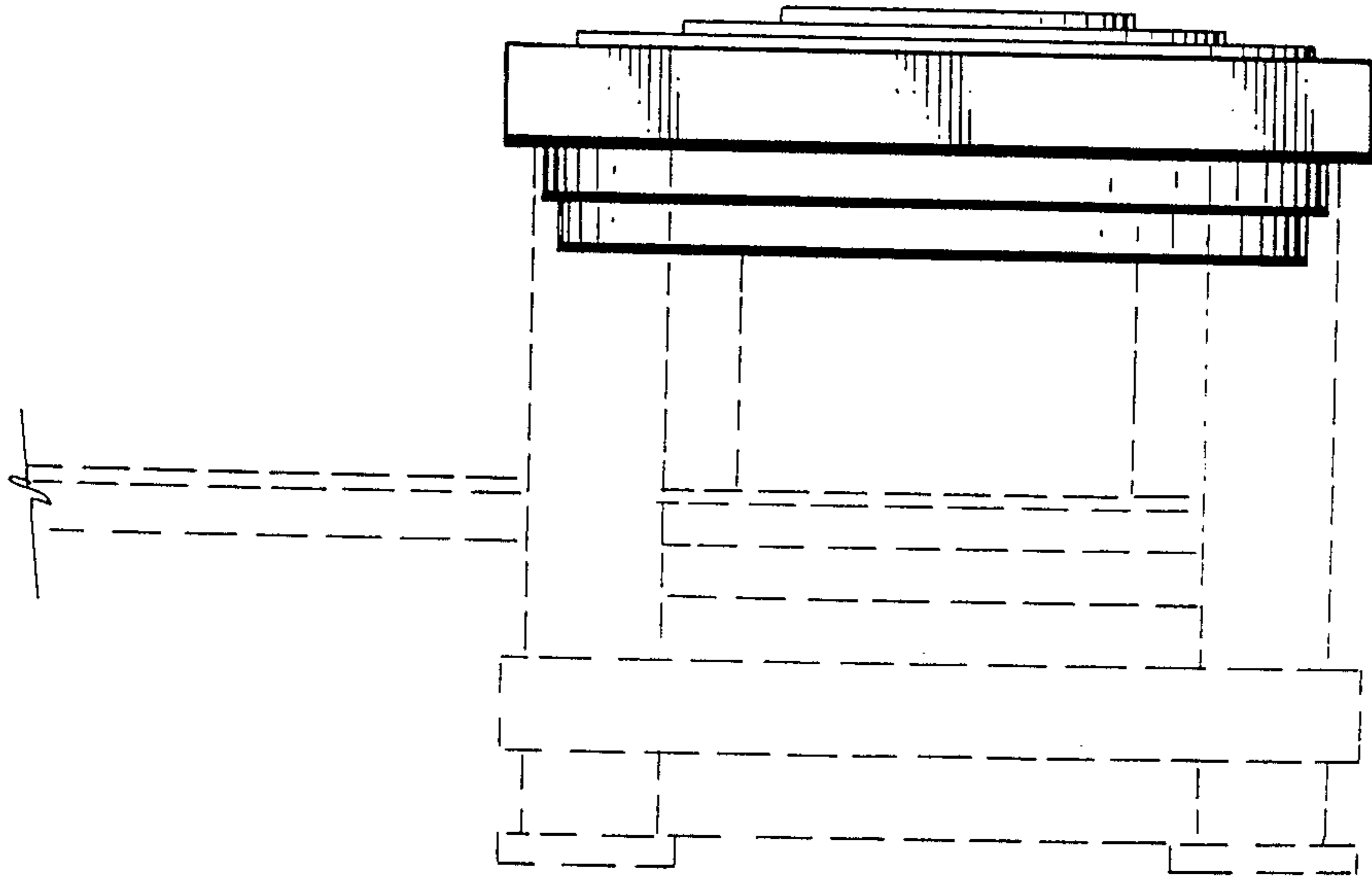


**FIG. 1**

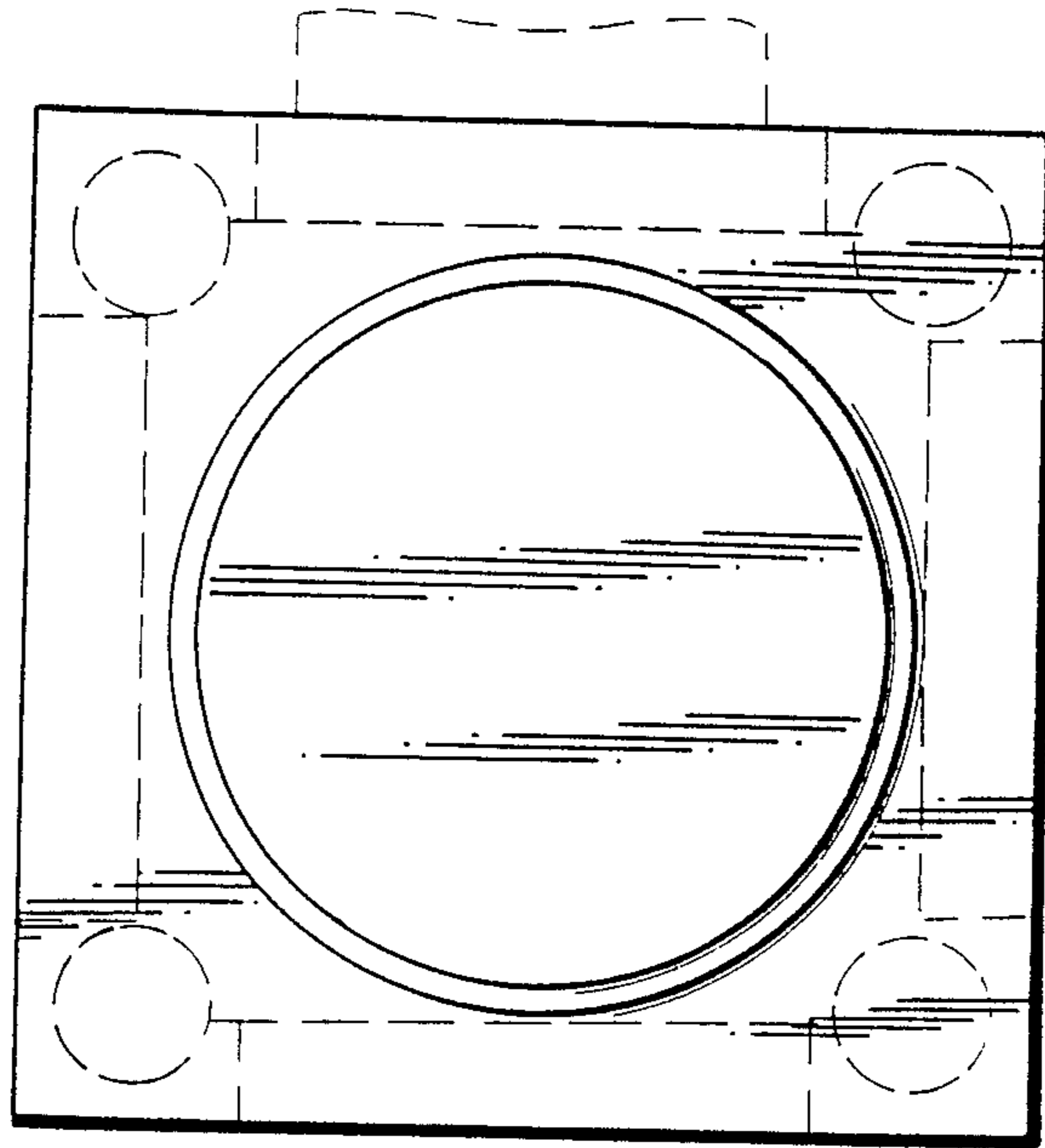
**FIG. 2**



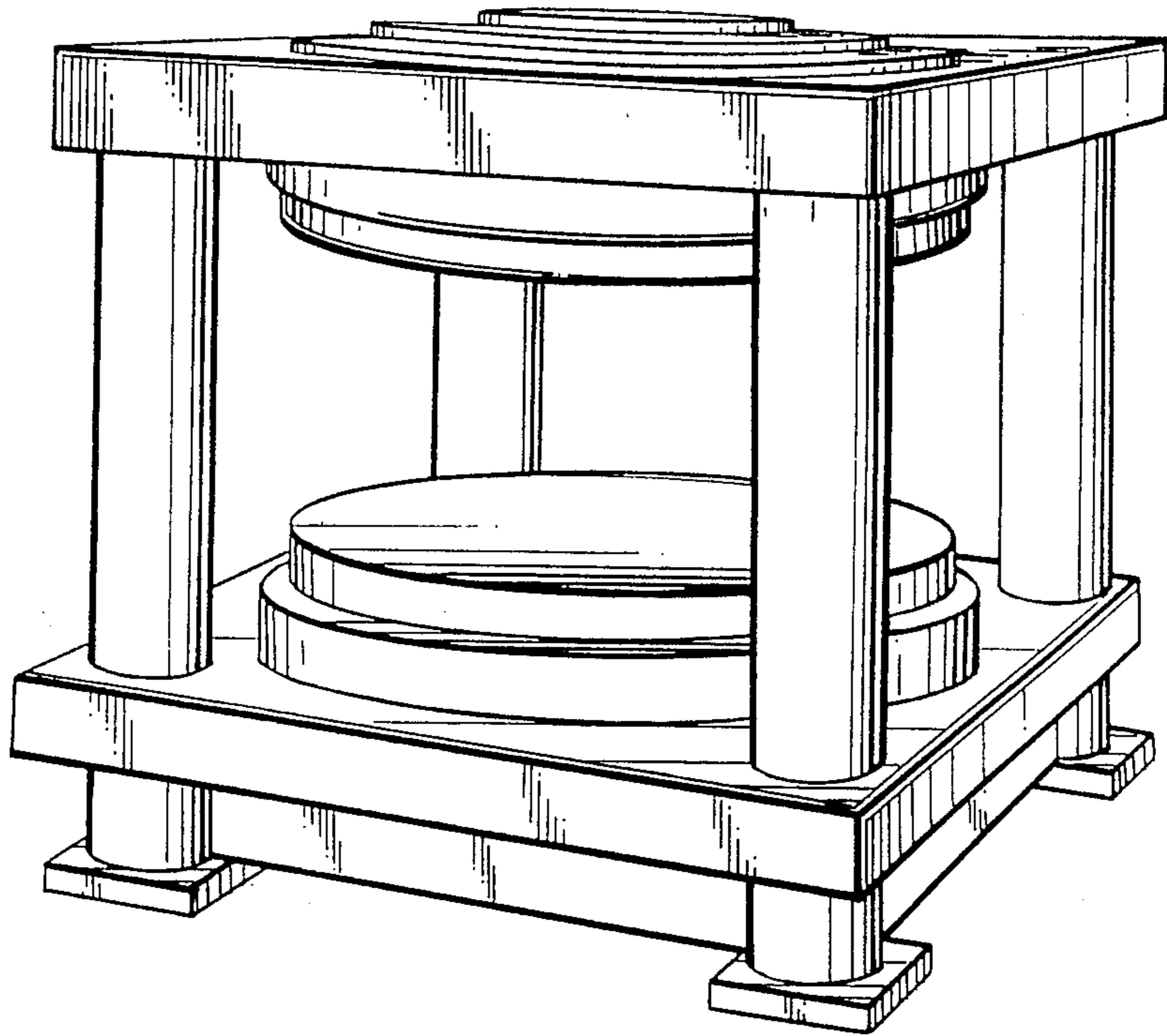
**FIG. 3**



**FIG. 4**

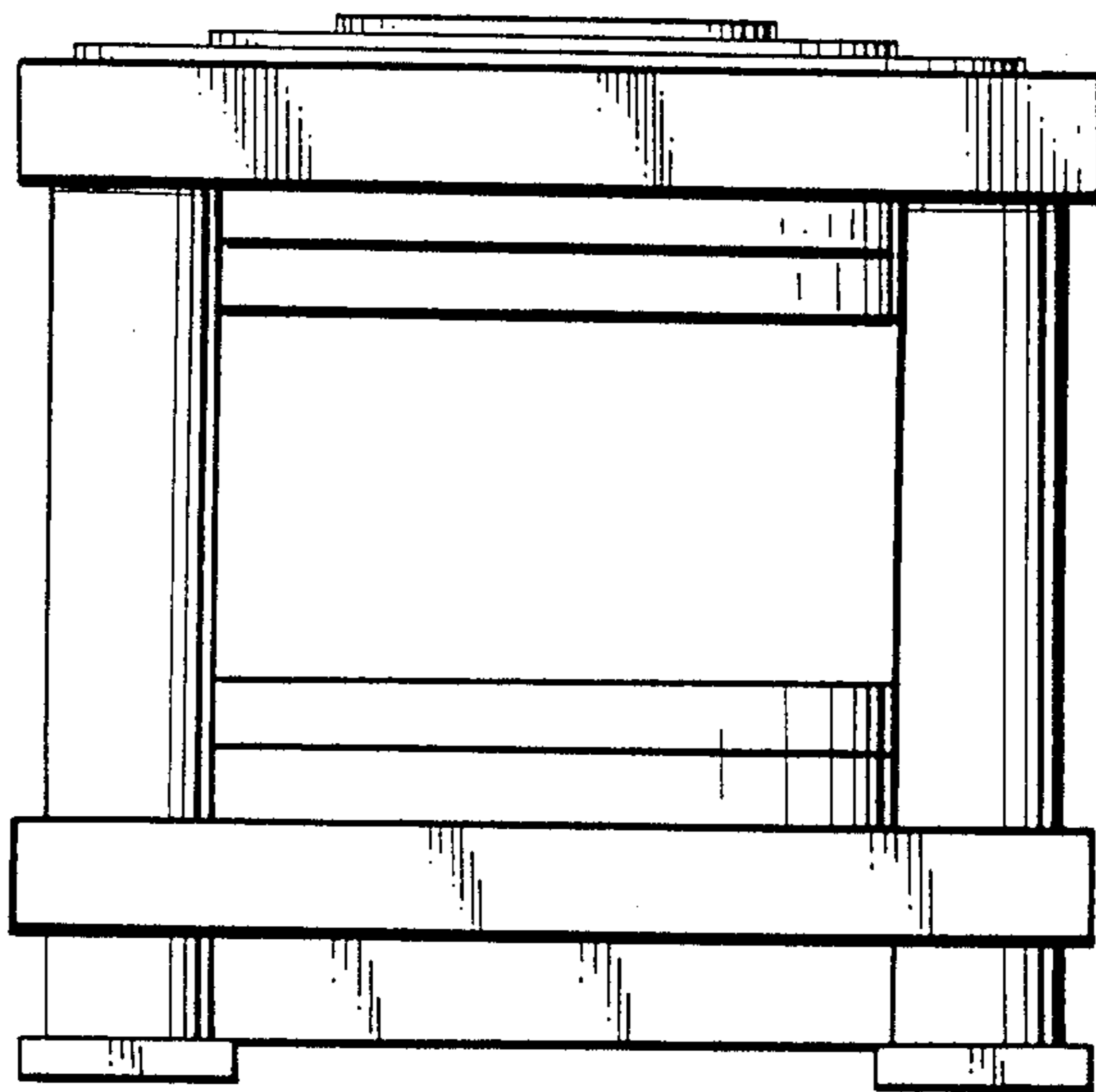


**FIG. 5**

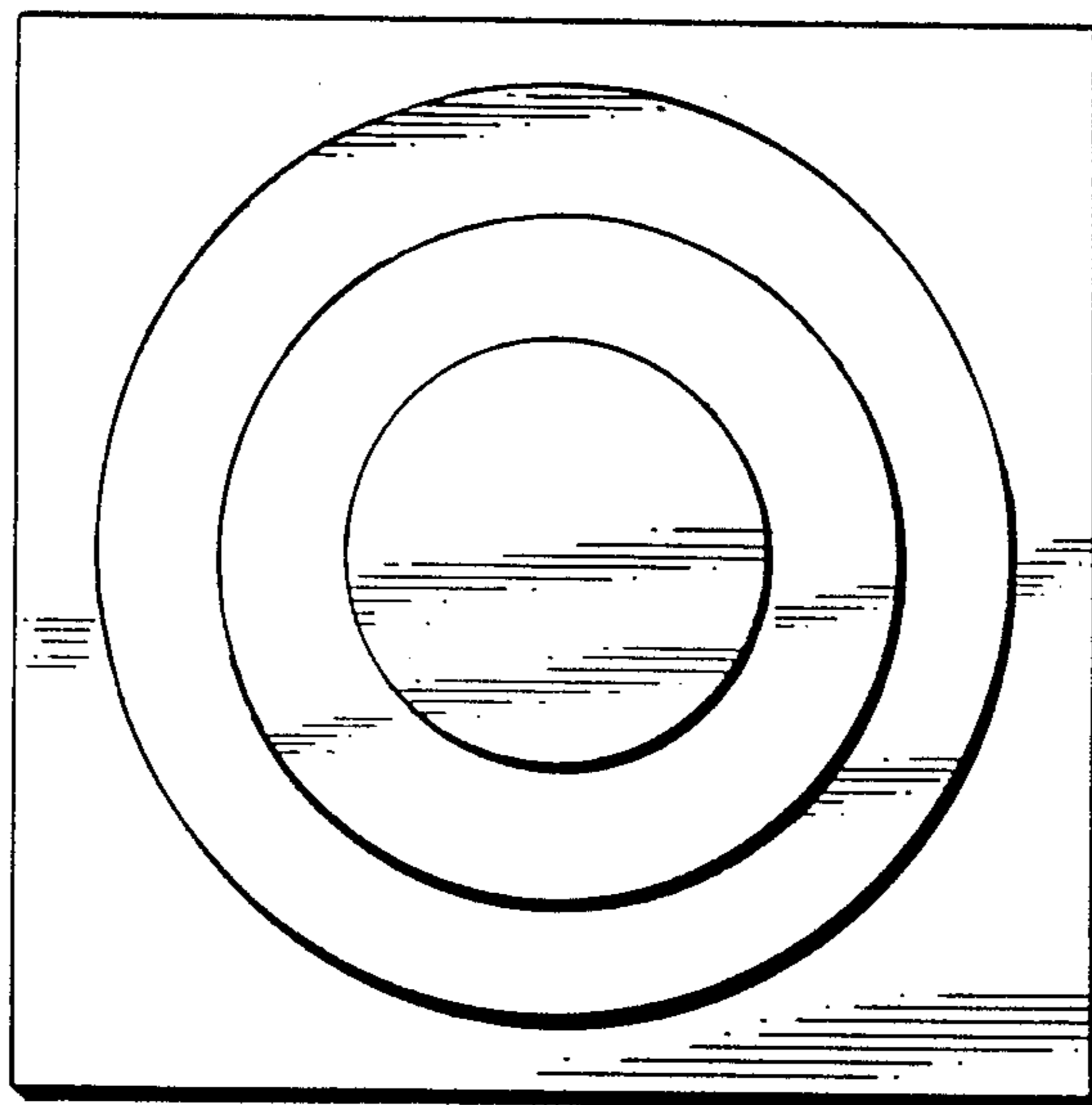
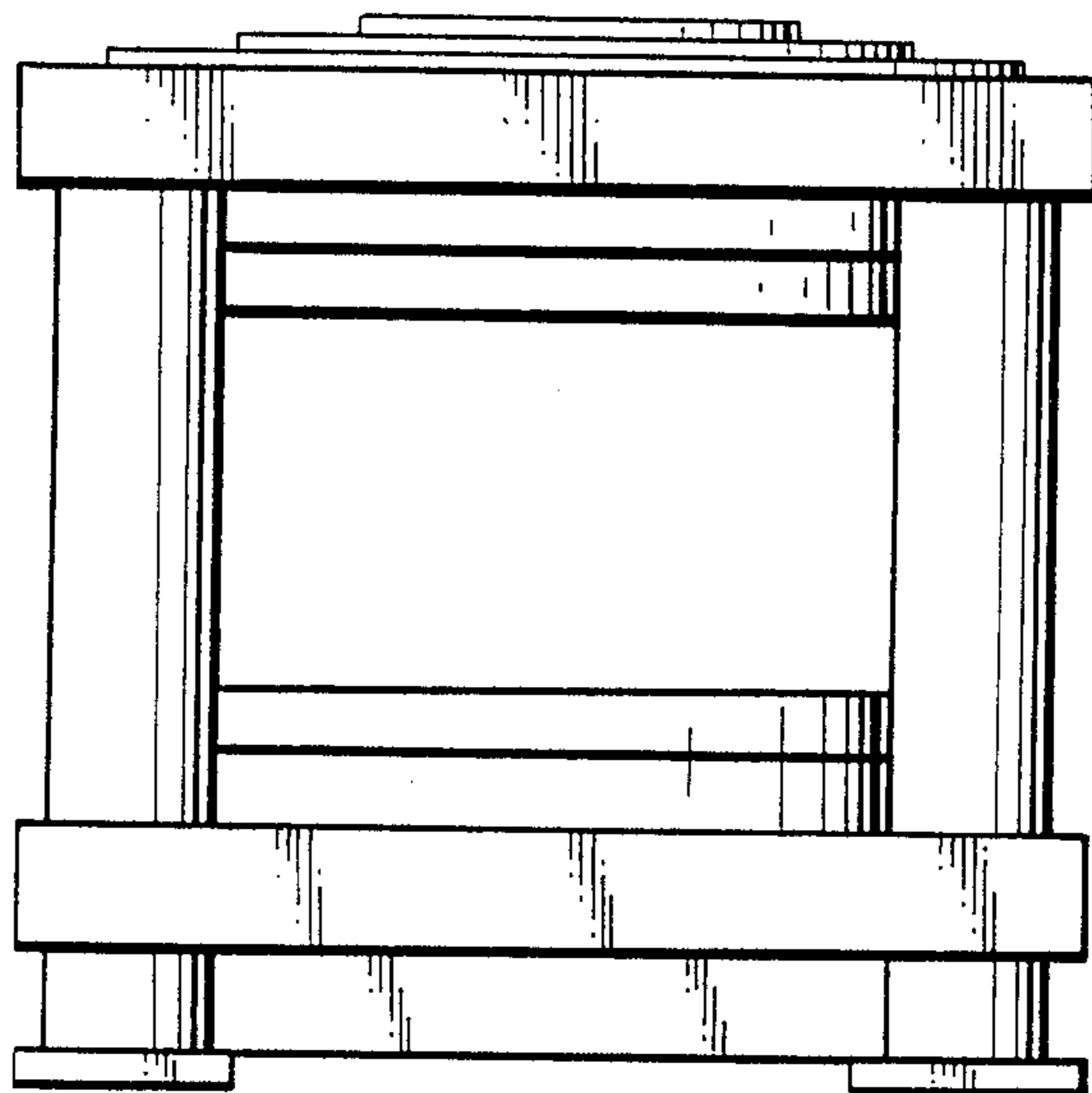


**FIG. 6**

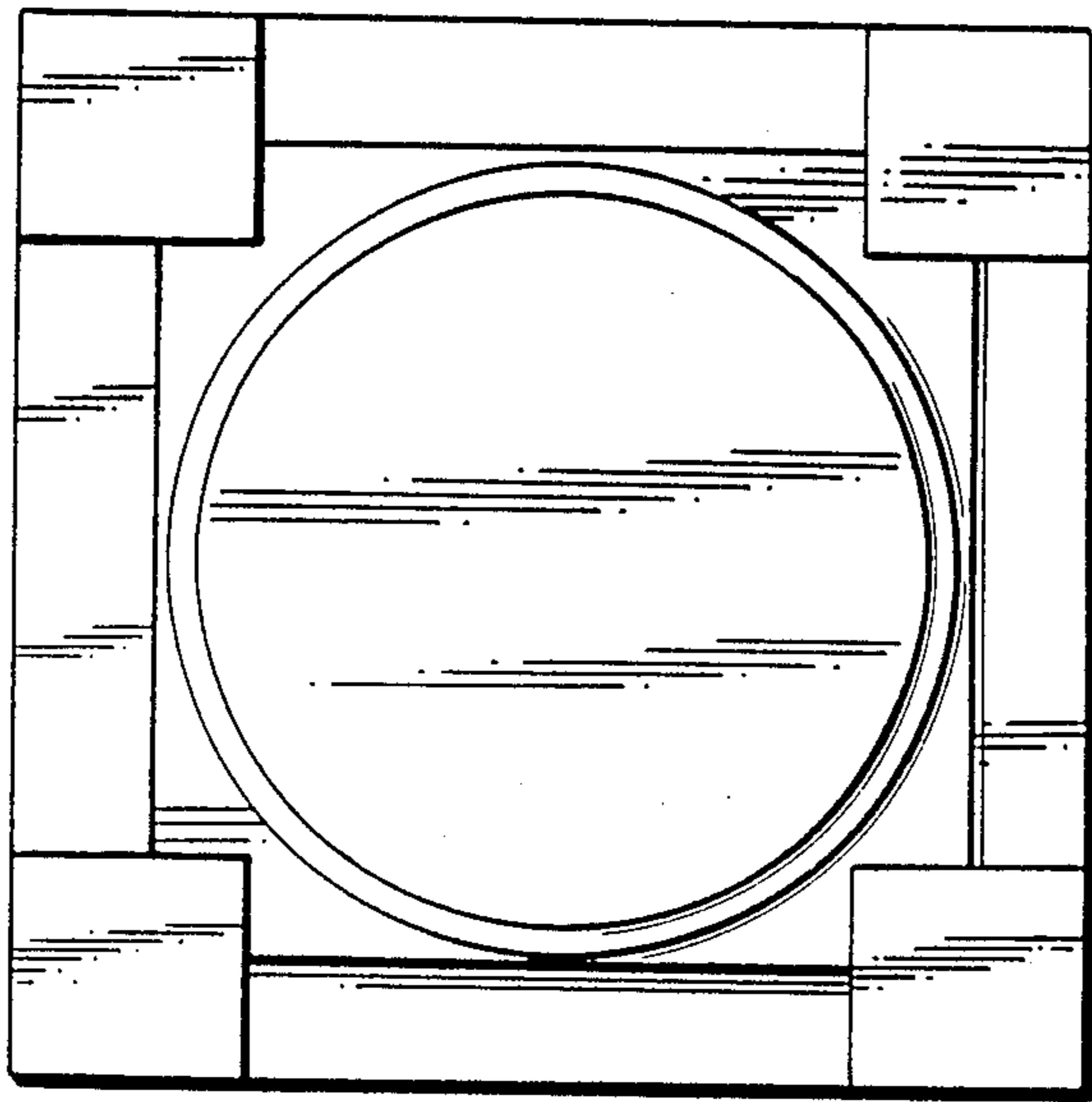
**FIG. 7**



**FIG. 8**



**FIG. 9**



**FIG. 10**