

[54] **ELECTRIC HEATER ELEMENT FOR USE IN A RADIANT HEATER FOR A GLASS CERAMIC HOB**

4,471,214 9/1984 Gössler et al. 219/460
4,808,798 2/1989 Goessler et al. 219/458

[75] Inventors: **Alan W. Welsh**, Peterborough;
Trevor W. Cheetham, Huntingdon,
both of England

[73] Assignee: **Redring Electric Limited**, England

[**] Term: **14 Years**

[21] Appl. No.: **230,857**

[22] Filed: **Aug. 10, 1988**

[30] **Foreign Application Priority Data**

Feb. 10, 1988 [GB] United Kingdom 1048430
[52] U.S. Cl. **D23/417**
[58] Field of Search D23/419, 418, 415, 417;
219/458, 459, 460, 462, 465, 466

[56] **References Cited**

U.S. PATENT DOCUMENTS

D. 59,685 11/1921 Robinson D23/417
2,091,905 8/1937 Bensel et al. 219/462
2,430,582 11/1947 Reich 219/458
4,393,299 7/1983 McWilliams 219/460

FOREIGN PATENT DOCUMENTS

90256 8/1920 Italy 219/458

Primary Examiner—James M. Gandy
Assistant Examiner—Lisa Lichtenstein
Attorney, Agent, or Firm—Kirschstein, Ottinger, Israel
& Schiffmiller

[57] **CLAIM**

The ornamental design for an electric heater element for use in a radiant heater for a glass ceramic hob, as shown and described.

DESCRIPTION

FIG. 1 is a top plan view of an electric heater element for use in a radiant heater for a glass ceramic hob, showing our new design, the bottom being a mirror image of that shown;

FIG. 2 is a front elevation view thereof, the rear being a mirror image of that shown; and

FIG. 3 is a right side elevation view thereof, the left side being a mirror image of that shown.

The broken line showing of radiant heater for a glass ceramic hob in FIG. 1 is for illustrative purposes only and forms no part of the claim design.

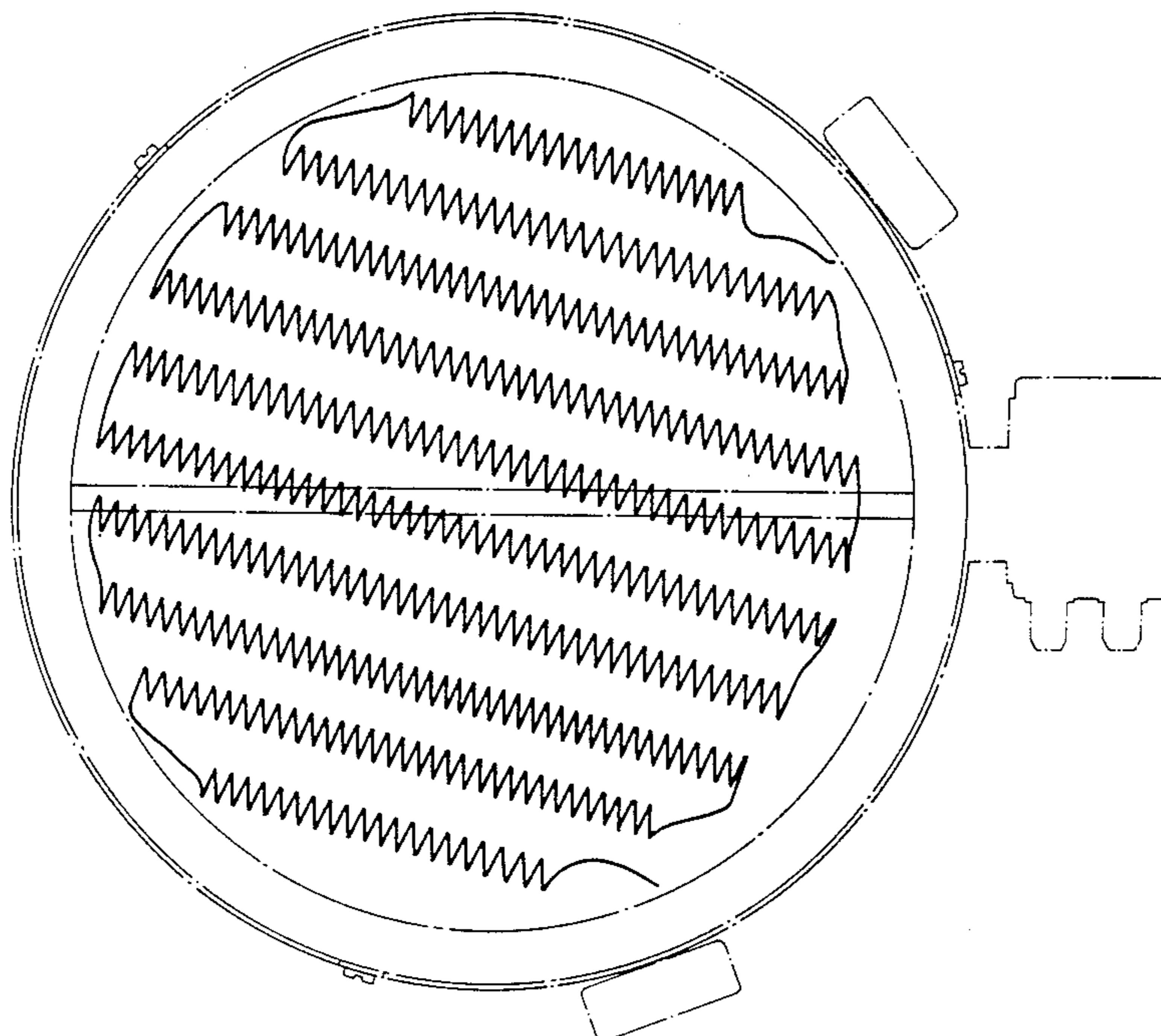


Fig. 1.

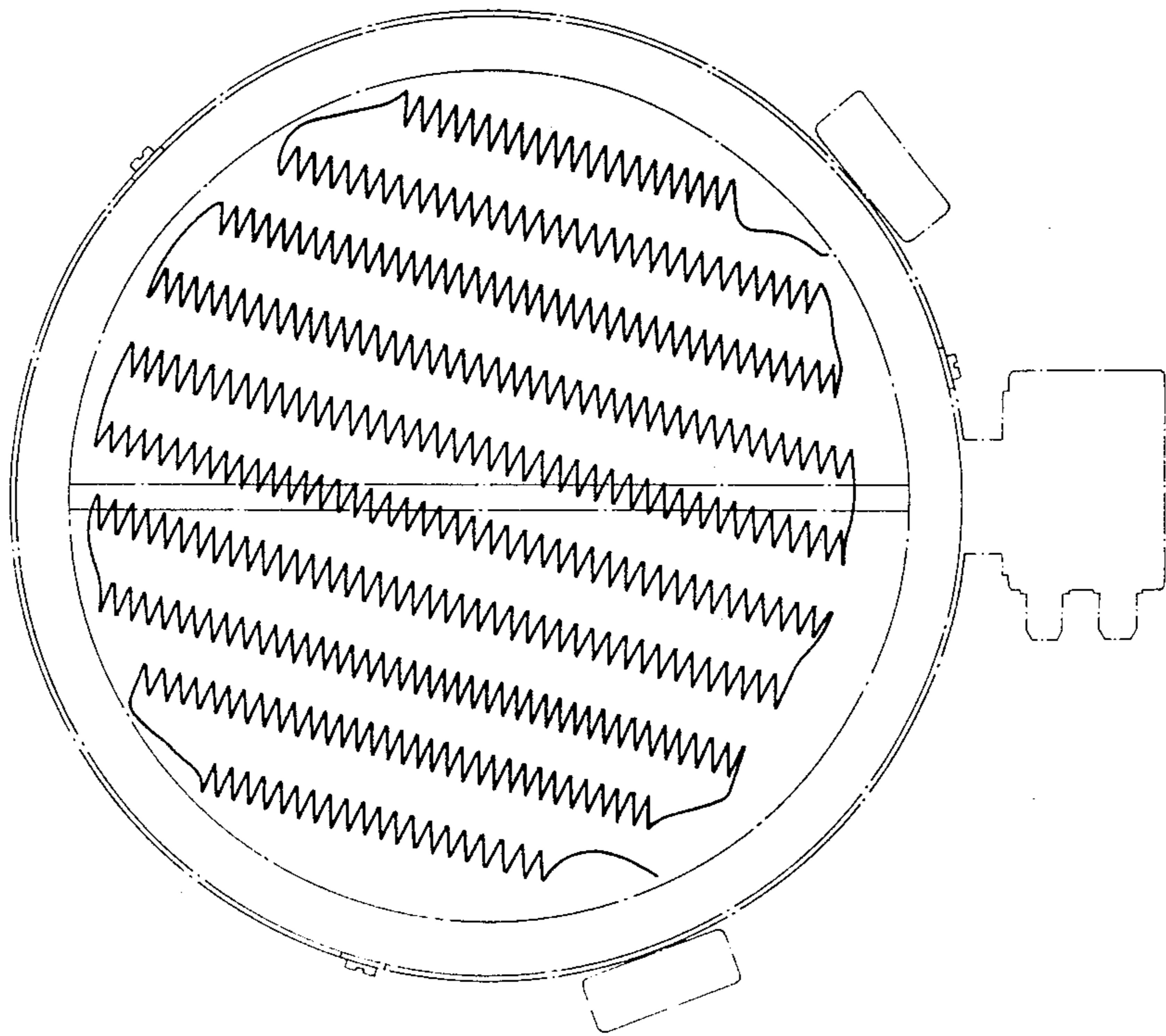


Fig. 2.



Fig. 3.

