

[54] QUICK RELEASE COUPLING

[75] Inventors: Naoyuki Kotake; Toshio Mikiya, both of Tokyo, Japan

[73] Assignee: Nitto Kohki Co., Ltd., Tokyo, Japan

[\*\*] Term: 14 Years

[21] Appl. No.: 258,974

[22] Filed: Oct. 17, 1988

[52] U.S. Cl. .... D23/262

[58] Field of Search ..... D23/262-265; 285/137.1, 249, 614.03, 614.04

[56] References Cited

U.S. PATENT DOCUMENTS

D. 167,662	9/1952	Ulrich	.....	D23/262
D. 195,540	6/1963	Knight	.....	D23/262
D. 267,506	1/1983	Evans	.....	D23/262
D. 299,267	1/1989	Roman	.....	D23/262
1,175,532	3/1916	Lambkin	.....	285/249
3,588,149	6/1971	Demier	.....	285/137.1
3,995,659	12/1976	Cantore	.....	137/614.03
4,002,186	1/1977	Fink et al.	.....	137/614.03
4,289,164	9/1981	Ekman	.....	137/614.03
4,327,770	5/1982	Brown et al.	.....	137/614.03
4,350,321	9/1982	Berg	.....	137/614.03
4,543,993	10/1985	Calvin et al.	.....	137/614.03
4,549,575	10/1985	Rogers	.....	137/614.03
4,596,272	6/1986	Medvick et al.	.....	137/614.03
4,625,761	12/1986	Uchida et al.	.....	137/614.03
4,733,692	3/1988	Kotake et al.	.....	137/614.03

Primary Examiner—James R. Largen

Assistant Examiner—Demetrios Reynolds  
Attorney, Agent, or Firm—Nixon & Vanderhye

[57] CLAIM

The ornamental design for a quick release coupling, as shown and described.

DESCRIPTION

FIG. 1 is a perspective view taken from the top, front and right end of a quick release coupling showing my new design;

FIG. 2 is a front elevational view thereof, the rear being a mirror image of the front shown;

FIG. 3 is a top plan view thereof the bottom being a mirror image of the top shown;

FIG. 4 is a right end elevational view thereof;

FIG. 5 is a left end elevational view thereof;

FIG. 6 is a perspective view taken from the top, front and right end of the plug portion thereof;

FIG. 7 is a front elevational view of FIG. 6;

FIG. 8 is a top plan view of FIG. 6;

FIG. 9 is a rear elevational view of FIG. 6;

FIG. 10 is a bottom plan view of FIG. 6;

FIG. 11 is a right end elevational view of FIG. 6;

FIG. 12 is a left end elevational view of FIG. 6;

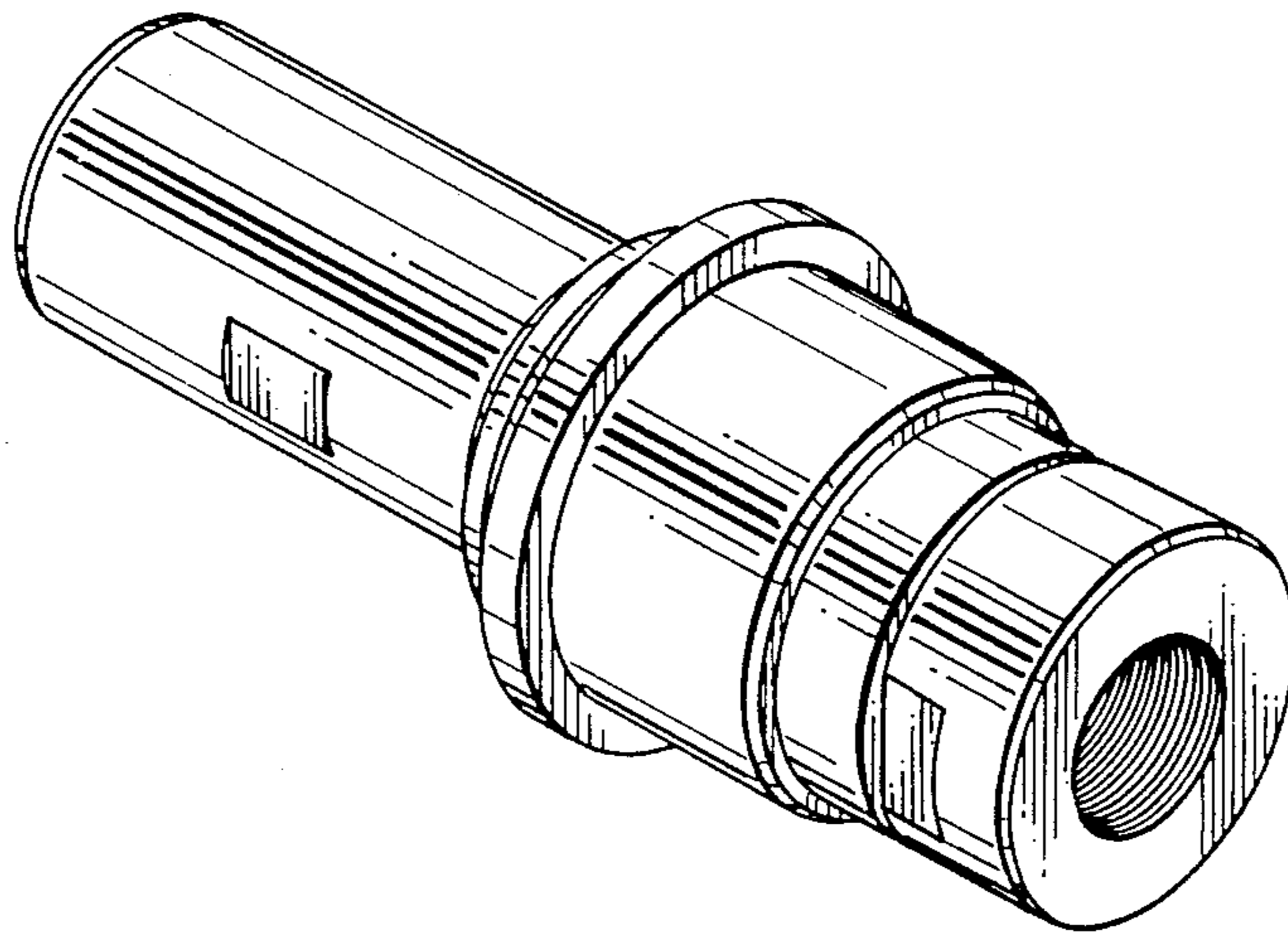
FIG. 13 is a perspective view taken from the top, front and right end of the socket portion thereof;

FIG. 14 is a front elevational view of FIG. 13, the rear being a mirror image of the front shown;

FIG. 15 is a top plan view of FIG. 13, the bottom being a mirror image of the top shown;

FIG. 16 is a right end elevational view of FIG. 13; and

FIG. 17 is a left end elevational view of FIG. 13.



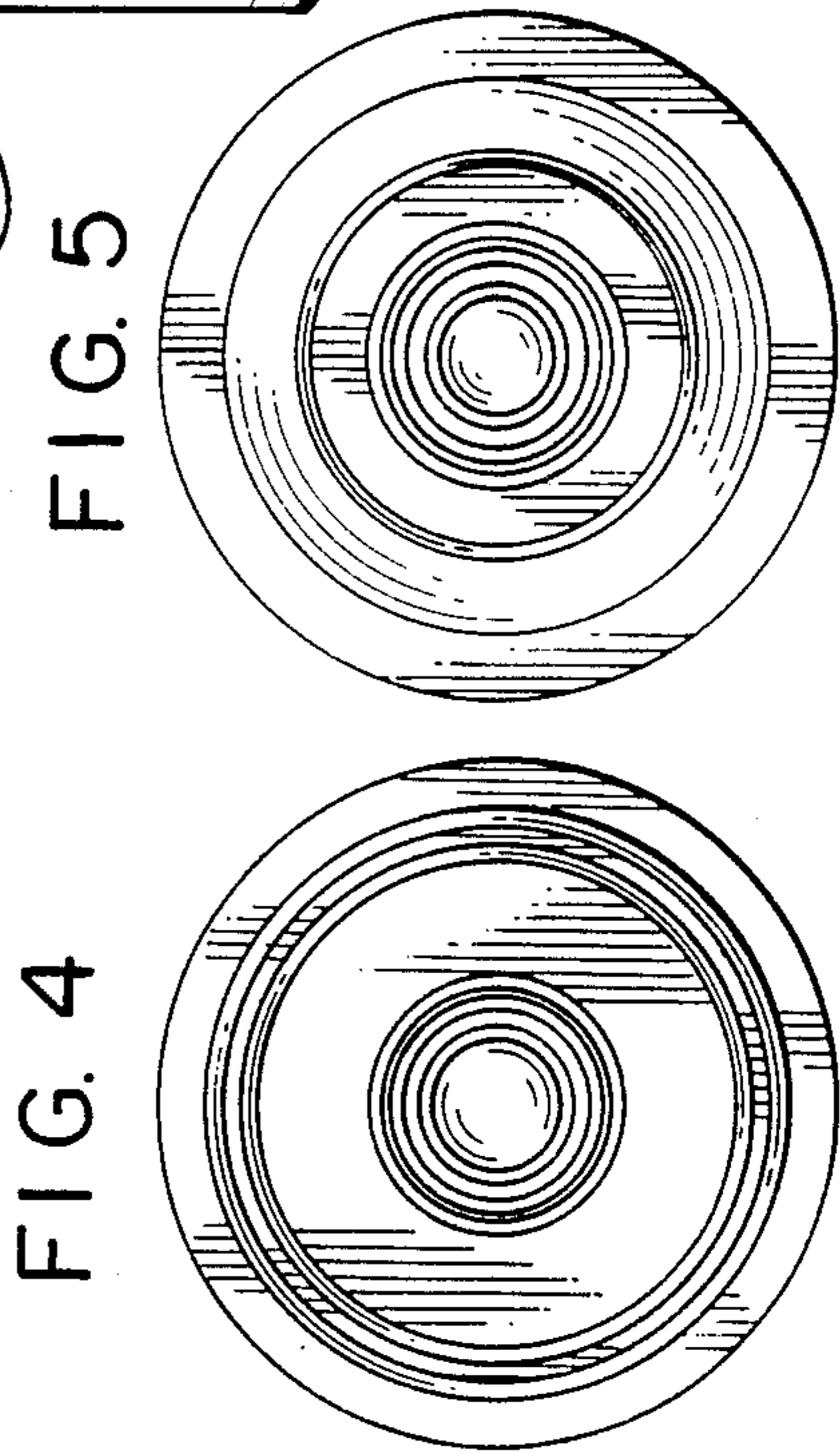
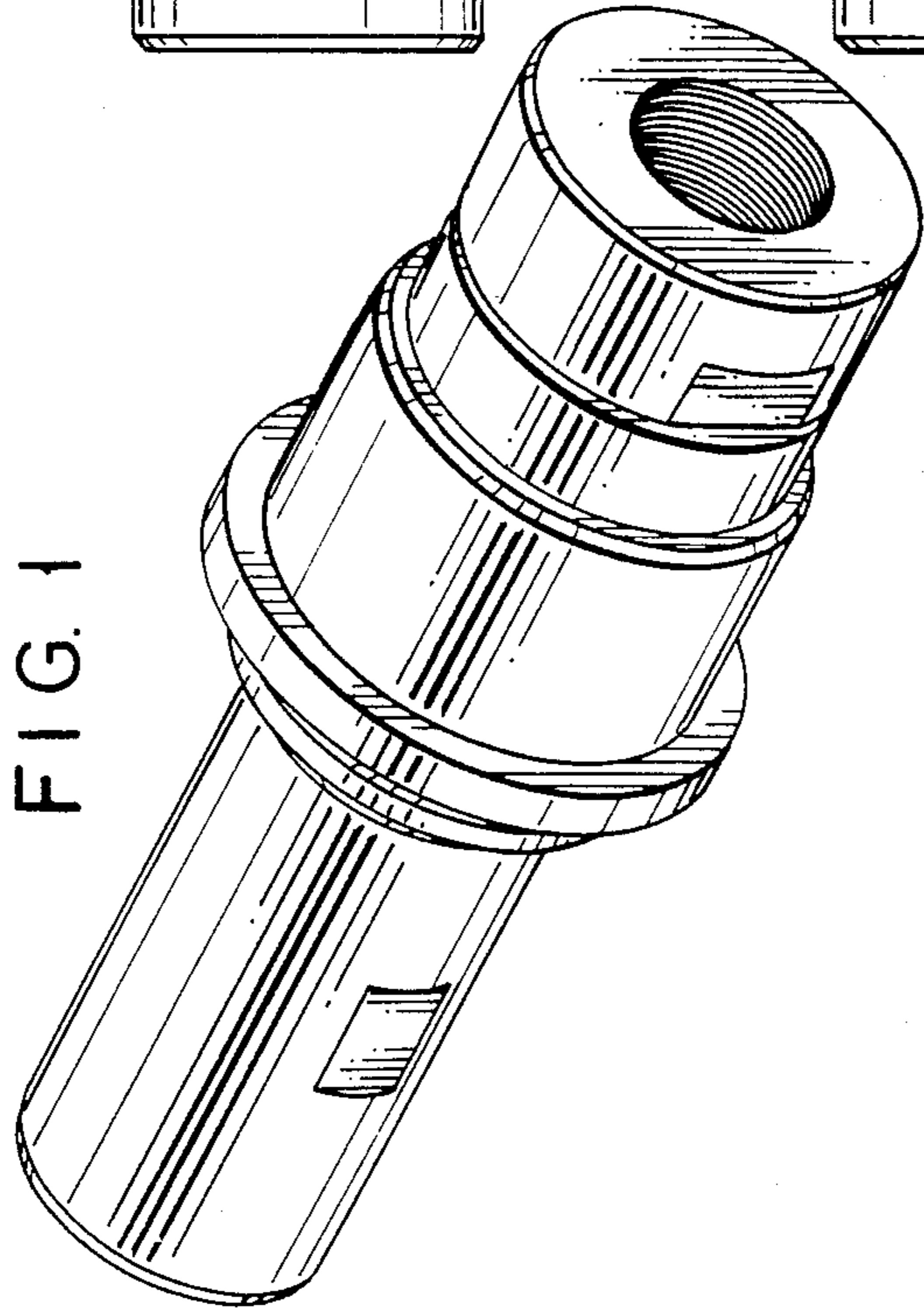
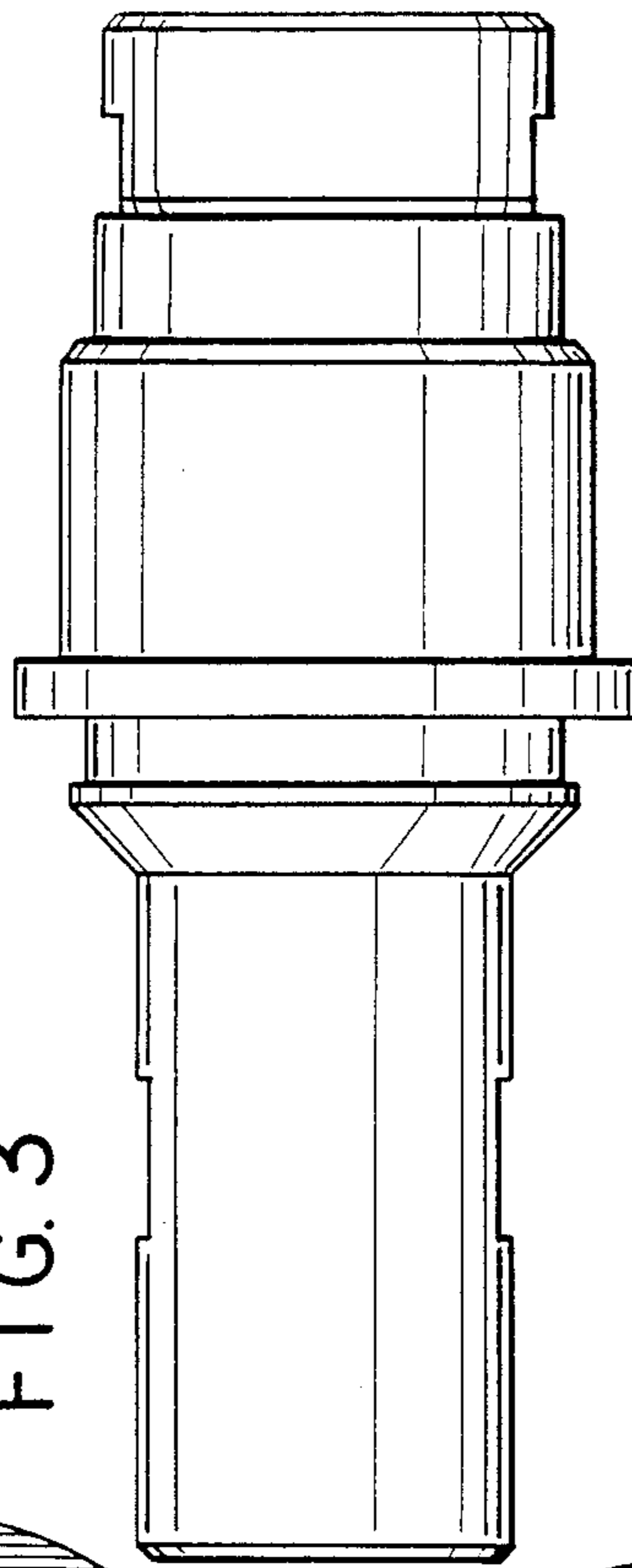
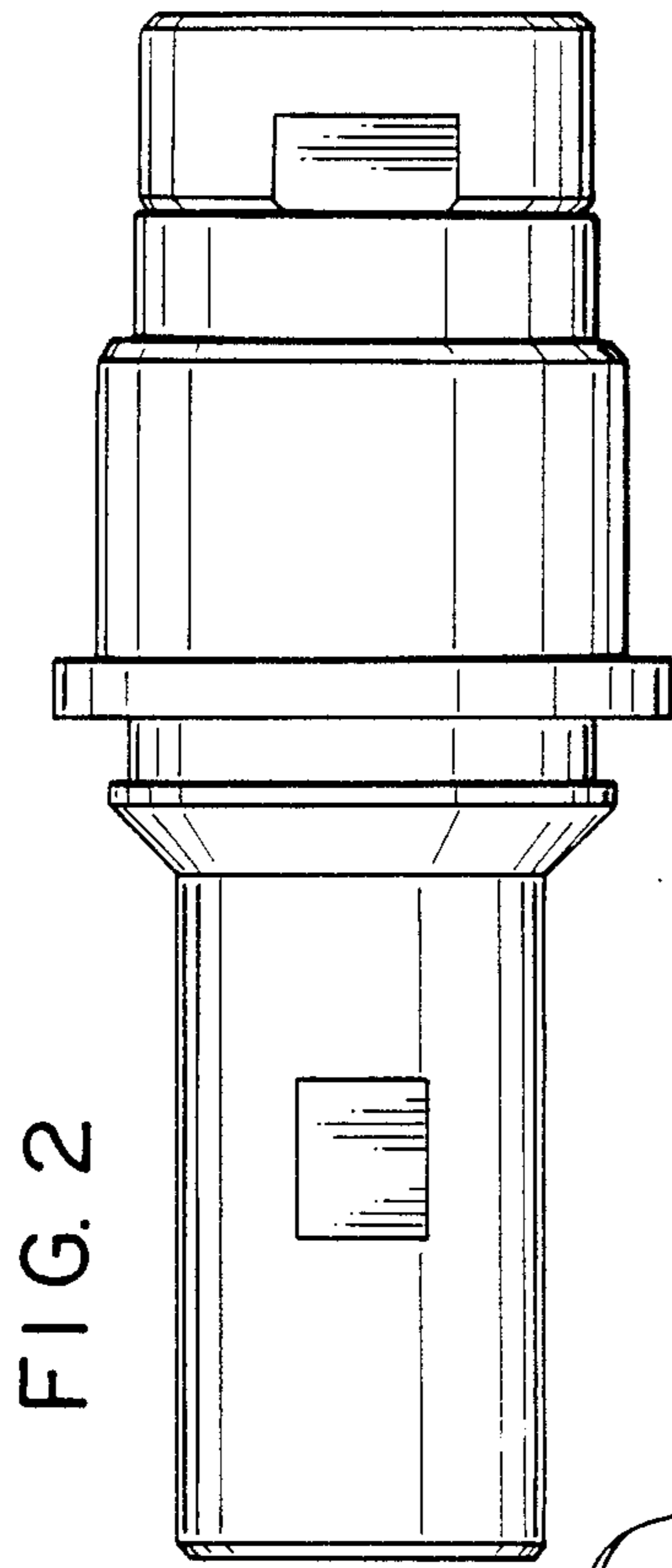


FIG. 9

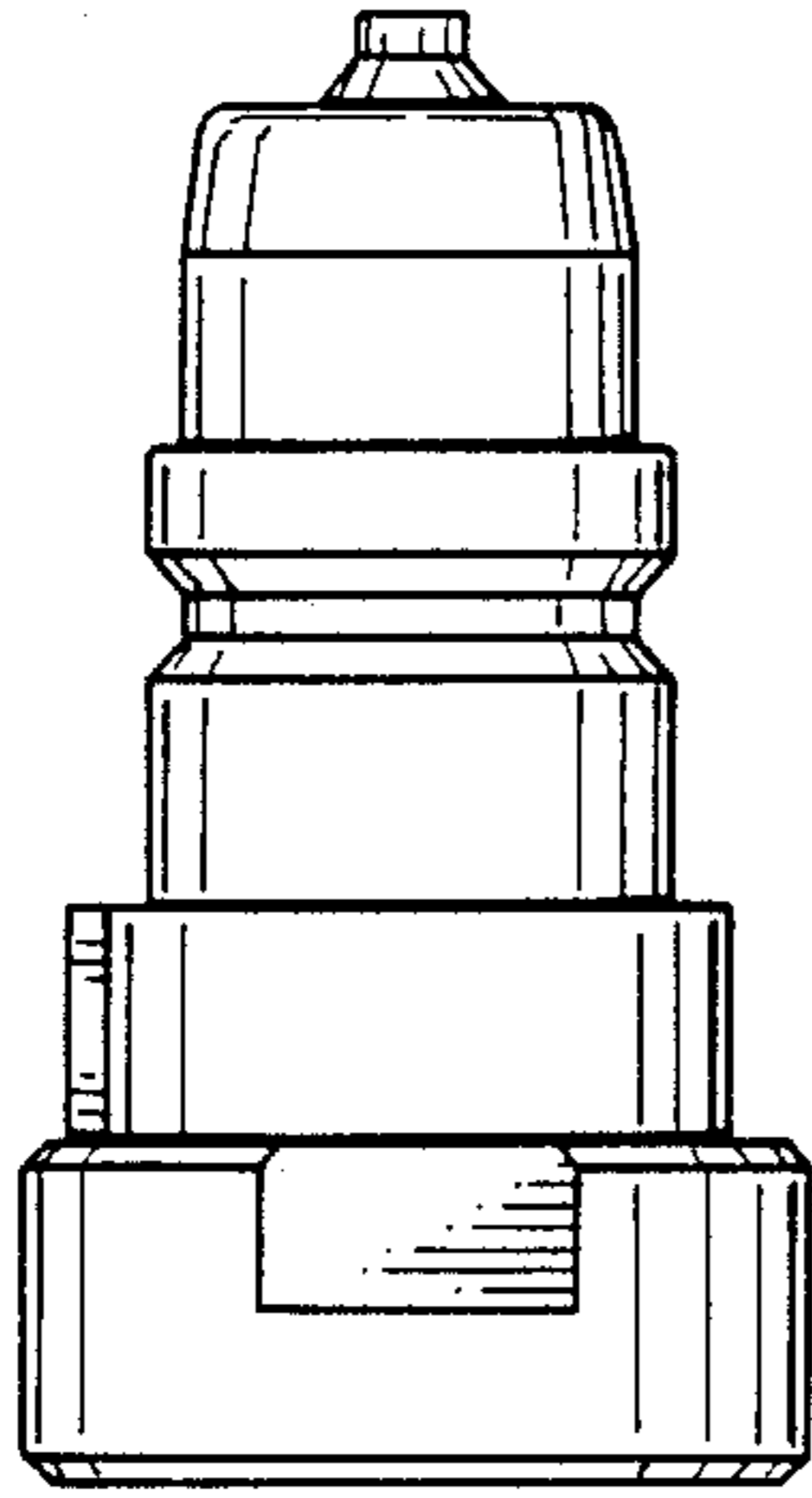


FIG. 10

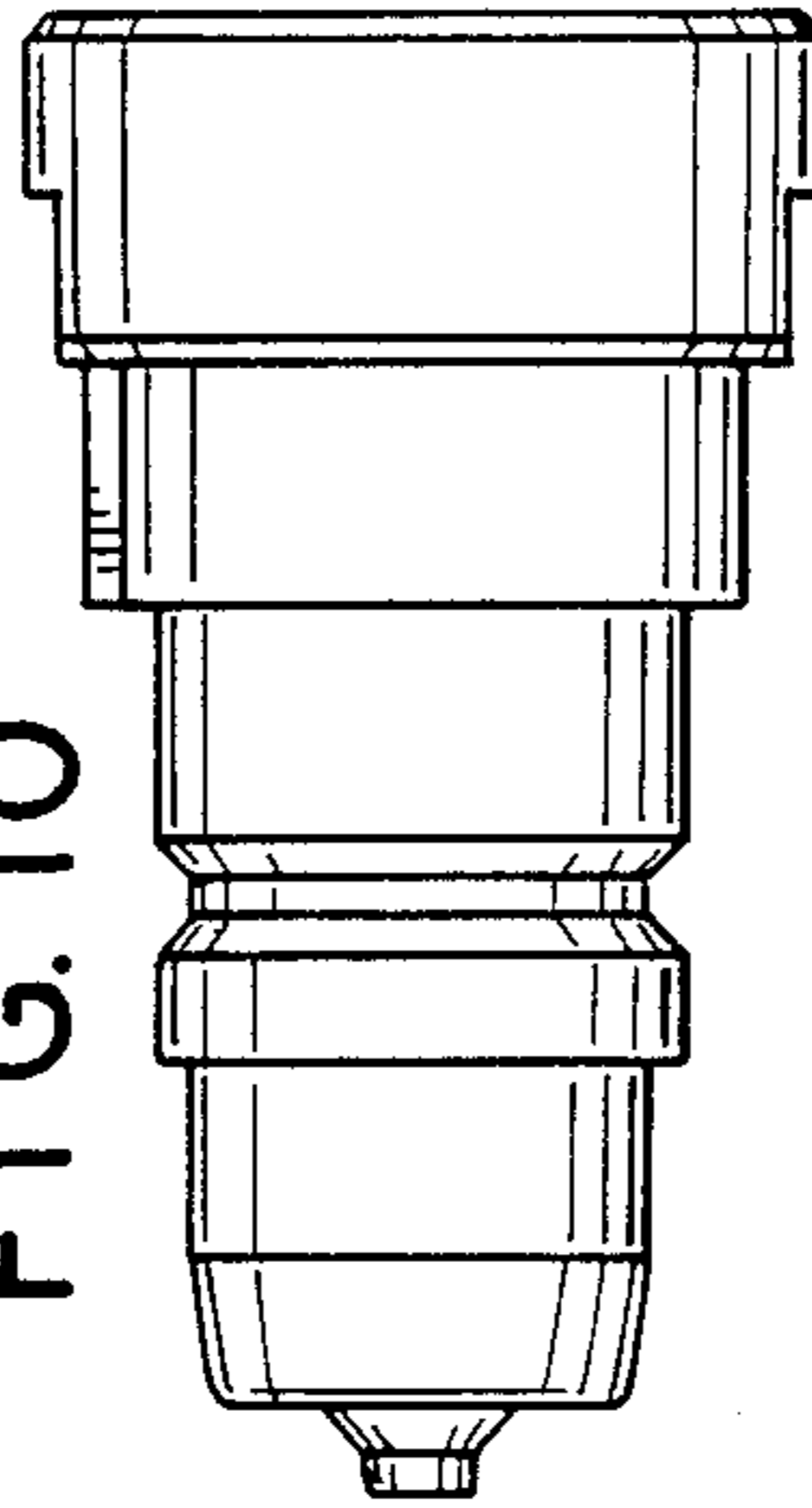


FIG. 7

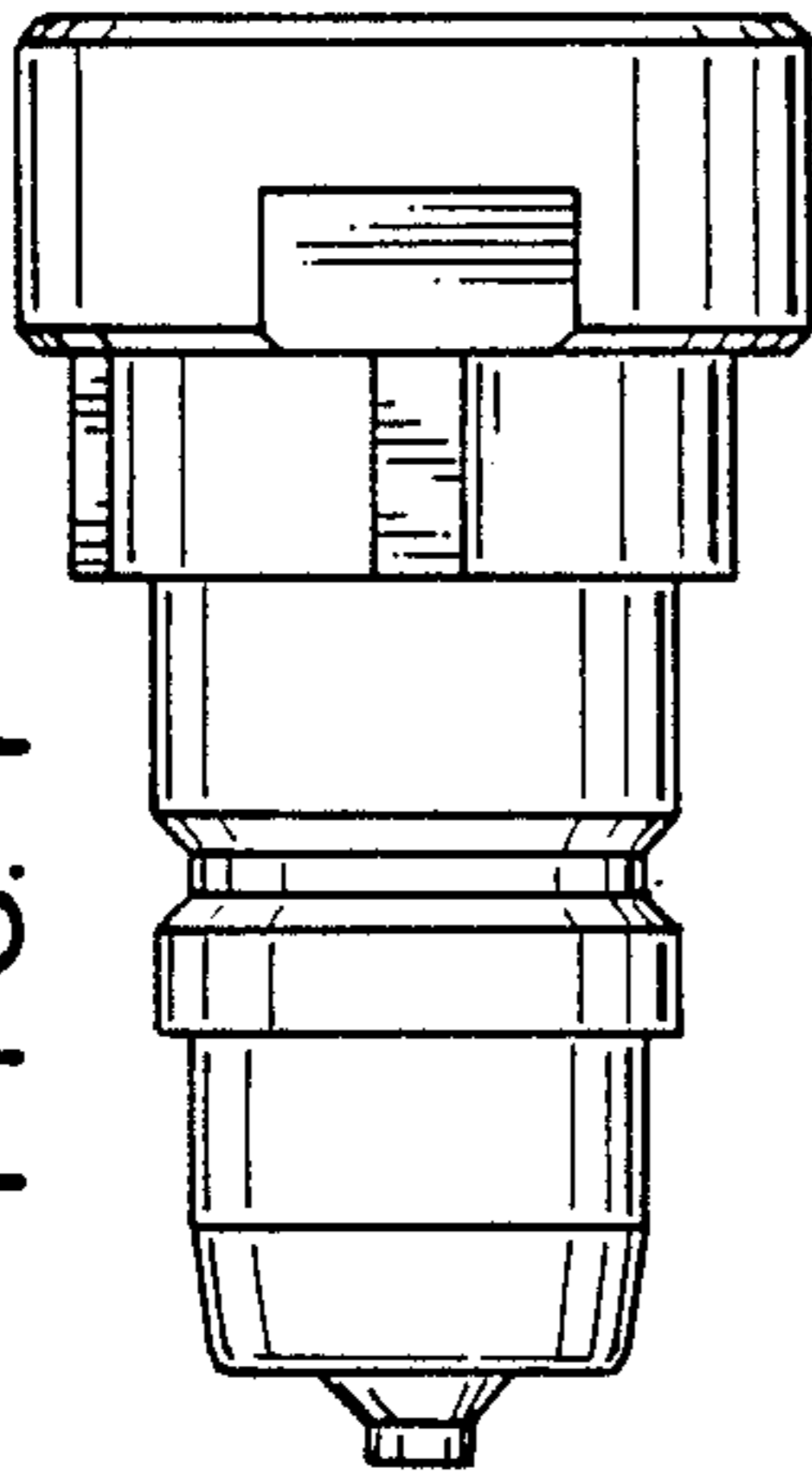


FIG. 8

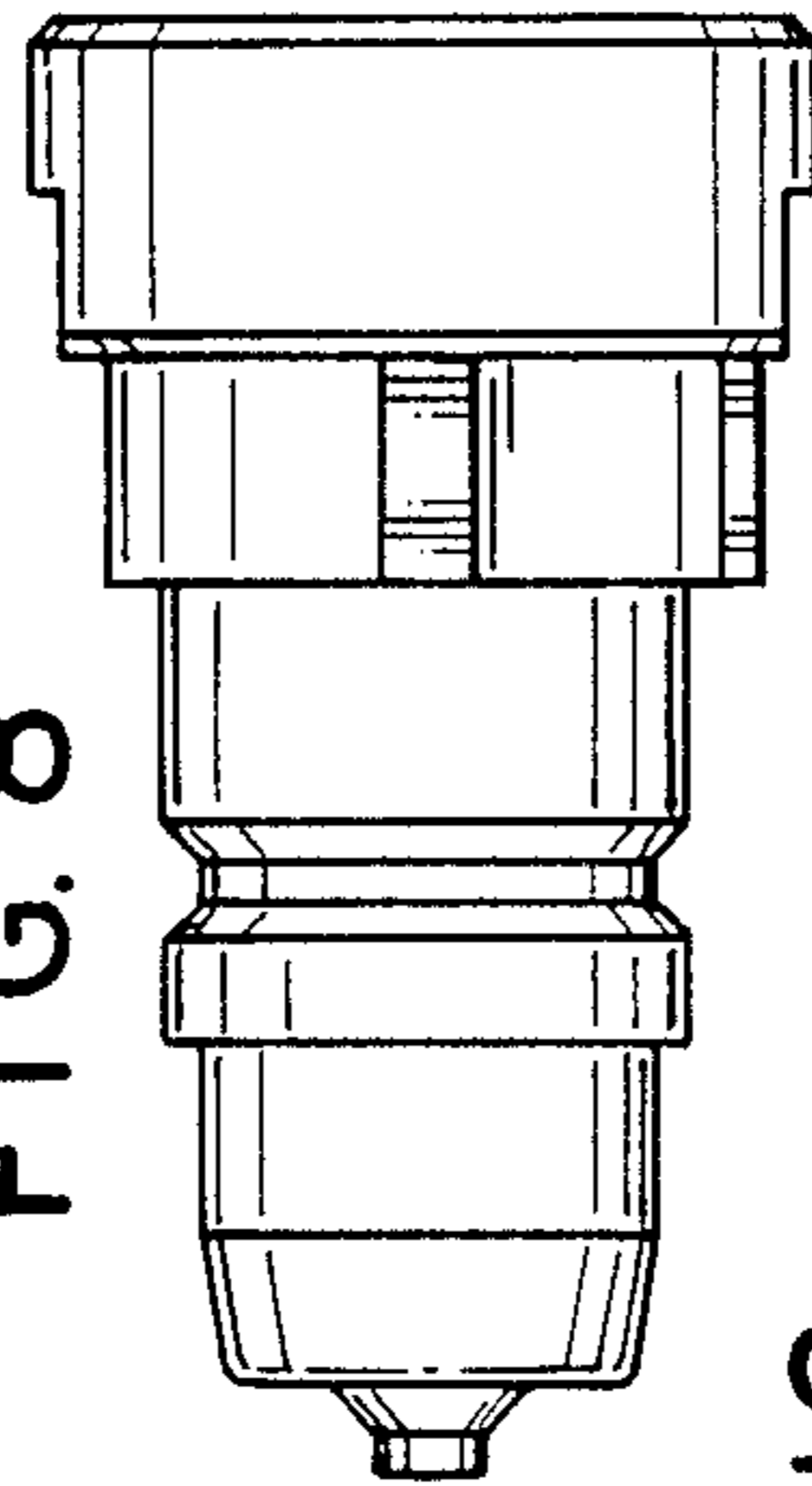


FIG. 6

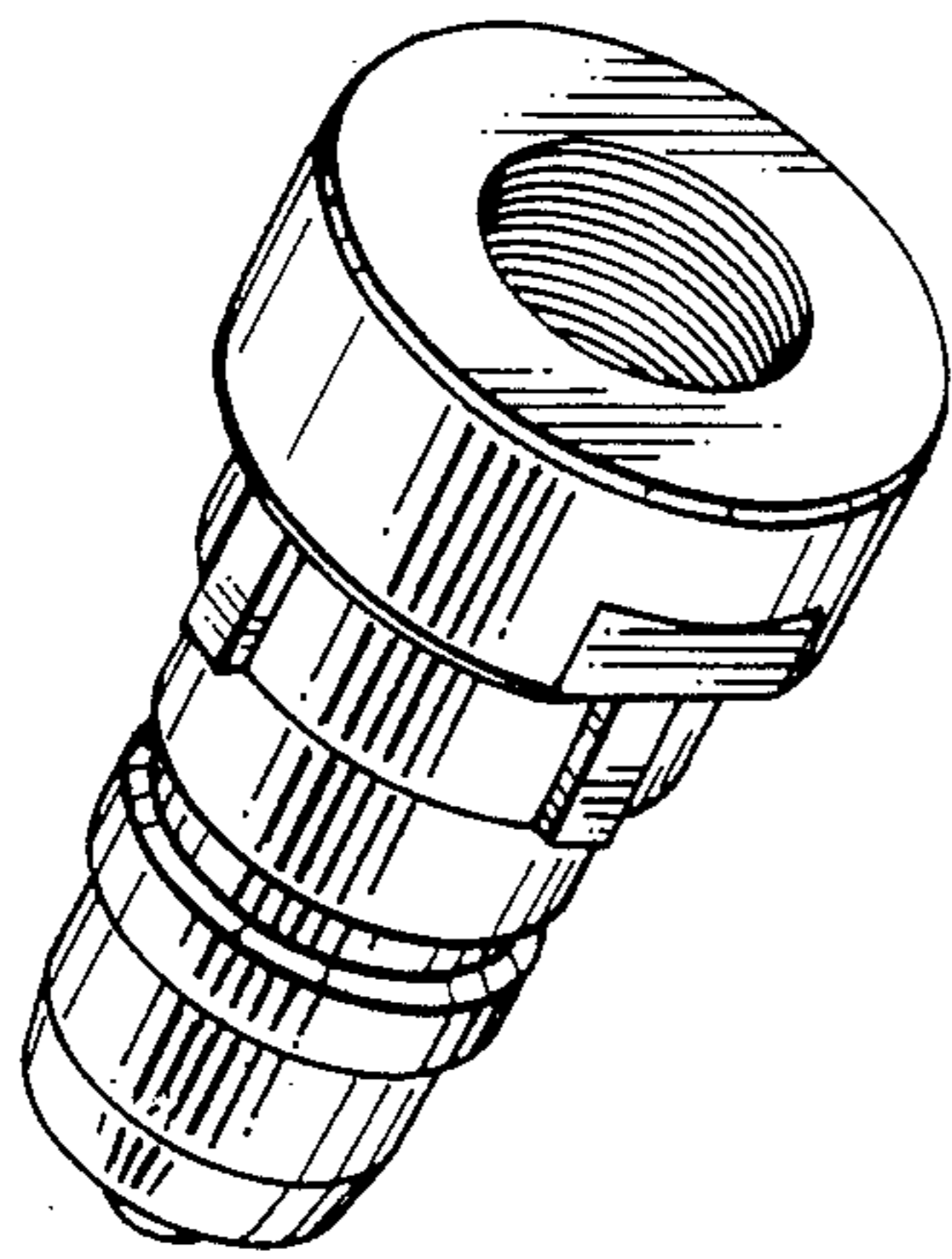


FIG. 12

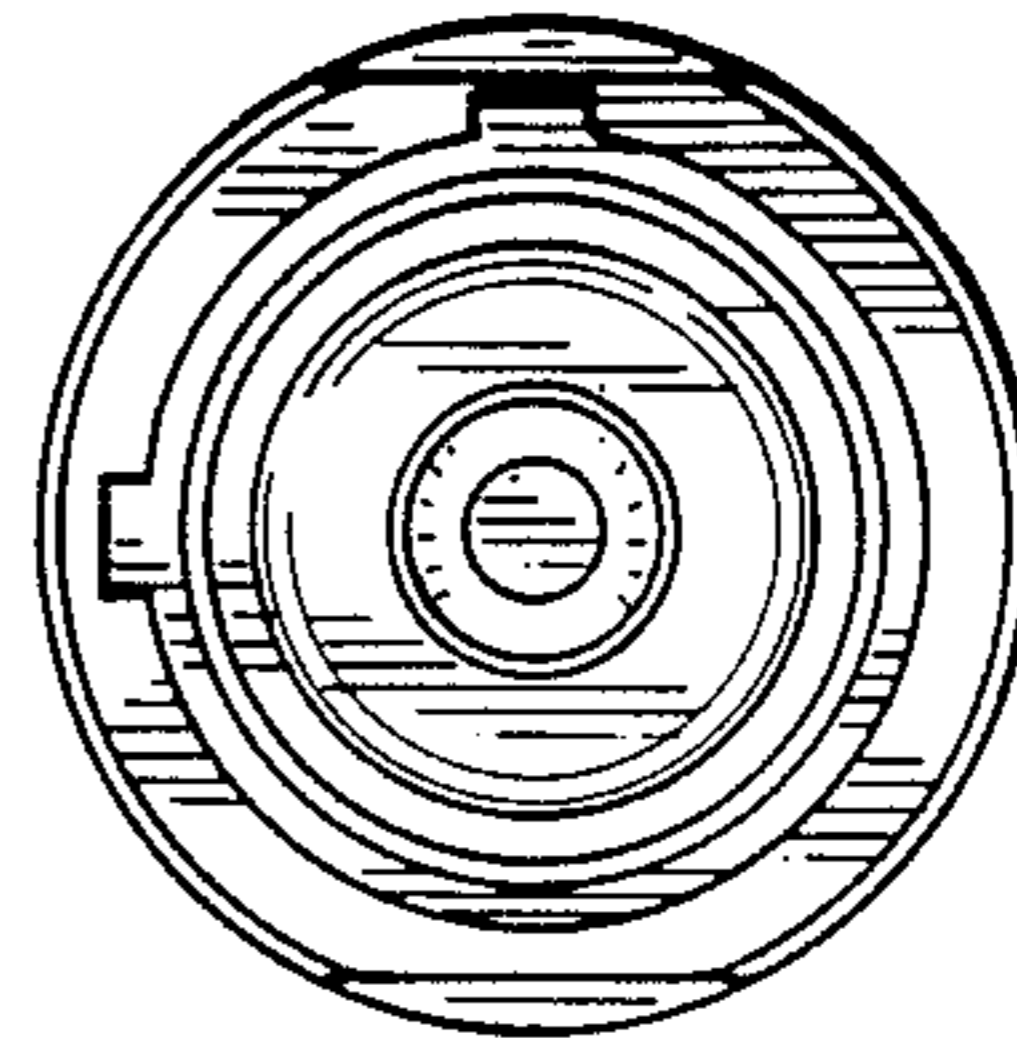


FIG. 11

