

United States Patent [19]
Strignano

[11] **Patent Number: Des. 313,065**
[45] **Date of Patent: ** Dec. 18, 1990**

[54] **FAUCET SET**
[75] **Inventor: Joseph Strignano, New York, N.Y.**
[73] **Assignee: I. W. Industries, Inc., Melville, N.Y.**
[**] **Term: 14 Years**
[21] **Appl. No.: 477,213**
[22] **Filed: Feb. 8, 1990**

D. 278,458 4/1985 Paul D23/242
D. 279,213 6/1985 Paul D23/242
D. 290,159 6/1987 Jans D23/242
D. 290,160 6/1987 Paul D23/241
D. 290,869 7/1987 Paul D23/242
D. 290,870 7/1987 Paul D23/242
D. 290,871 7/1987 Paul D23/242
D. 299,851 2/1989 Rademacher D23/241

Primary Examiner—James R. Largen
Attorney, Agent, or Firm—Alfred M. Walker

Related U.S. Application Data

[62] Division of Ser. No. 39,635, Apr. 16, 1987, Pat. No. Des. 308,718.
[52] **U.S. Cl. D23/242**
[58] **Field of Search D23/238-243;**
4/191-192; 137/801

[57] **CLAIM**

The ornamental design for a faucet set, as shown and described.

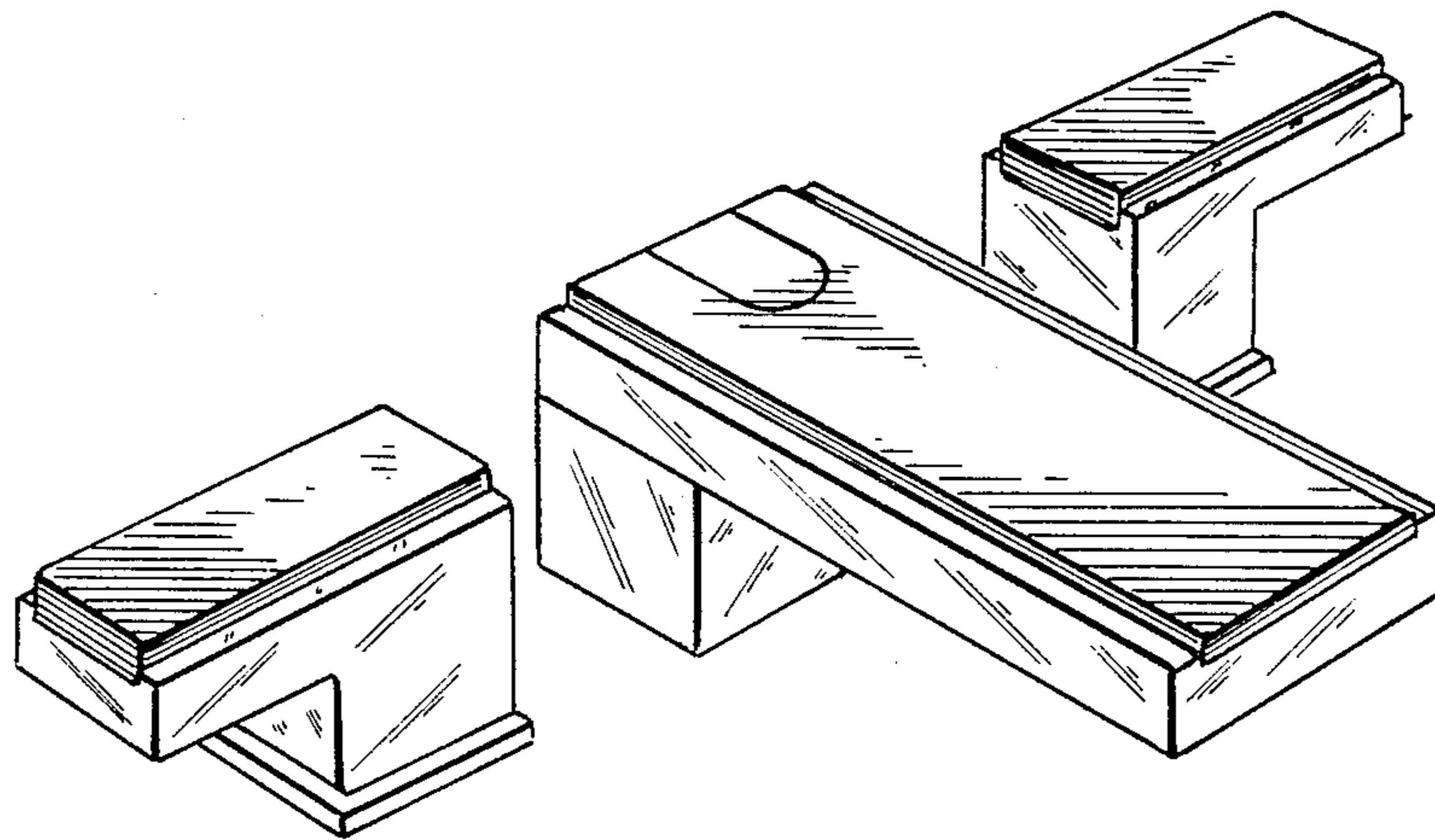
DESCRIPTION

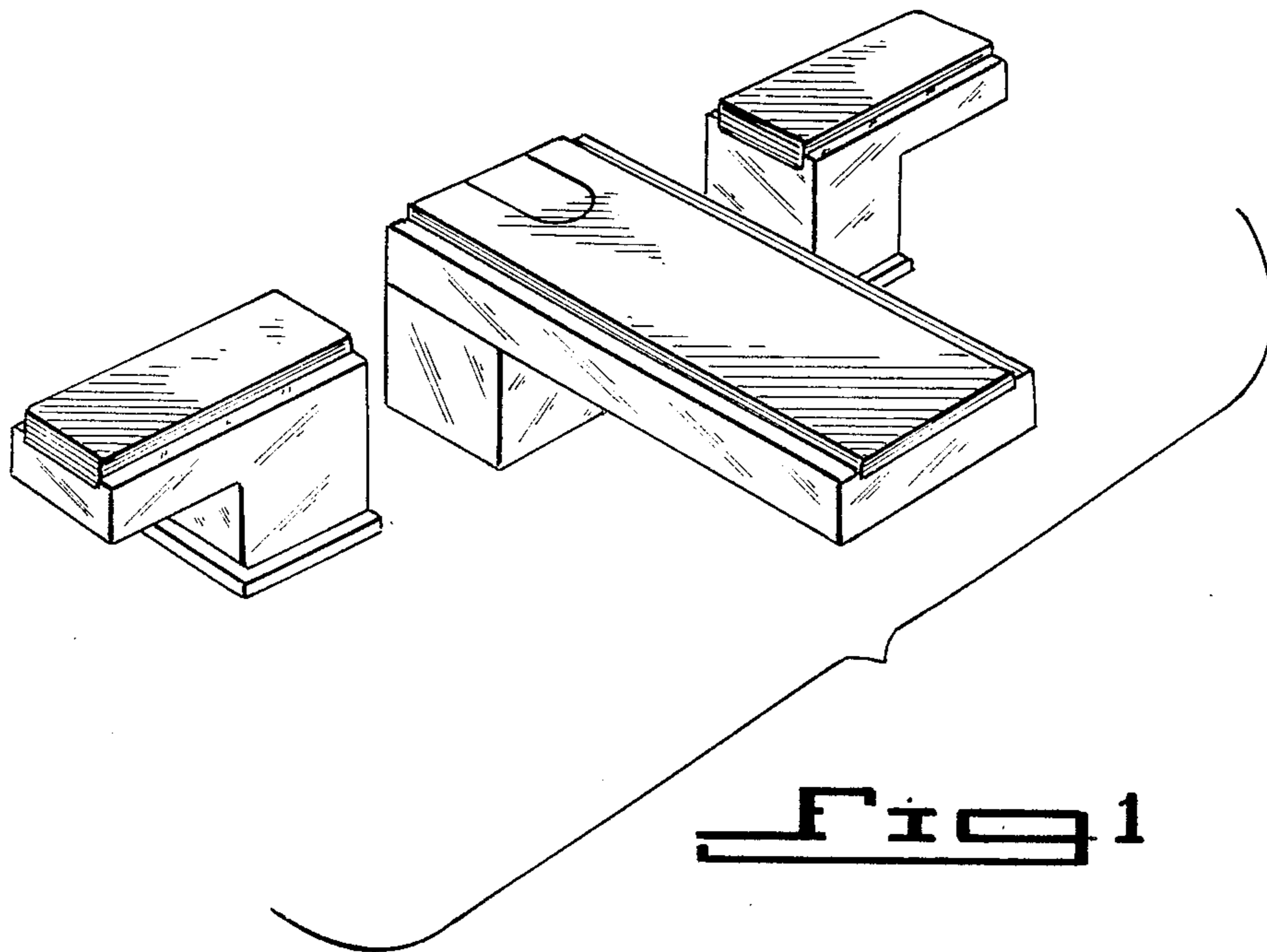
FIG. 1 is a perspective view taken from the top front and left side of a faucet set showing my new design; FIG. 2 is a top plan view thereof; FIG. 3 is a front elevational view; and FIG. 4 is a left side elevational view thereof, the right side being a mirror image of the left side shown.

[56] **References Cited**

U.S. PATENT DOCUMENTS

D. 265,231 6/1982 Paul D23/241
D. 271,514 11/1983 Paul D23/242





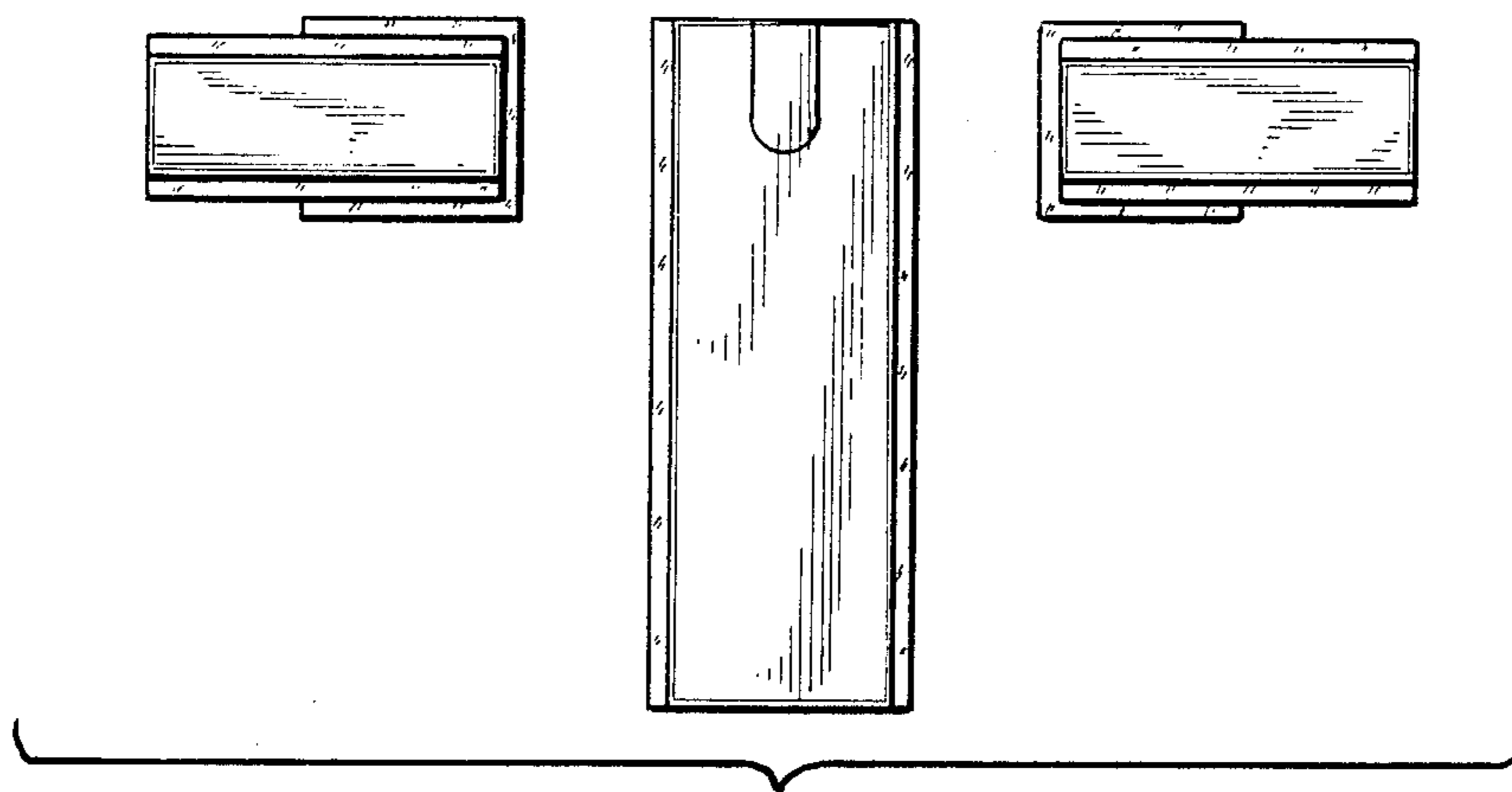


Fig. 2

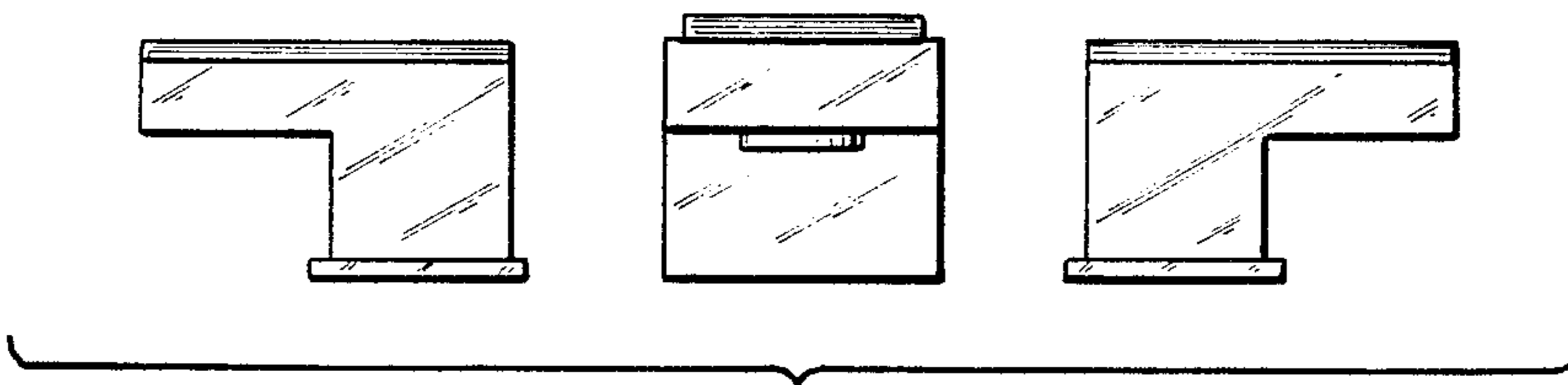


Fig. 3

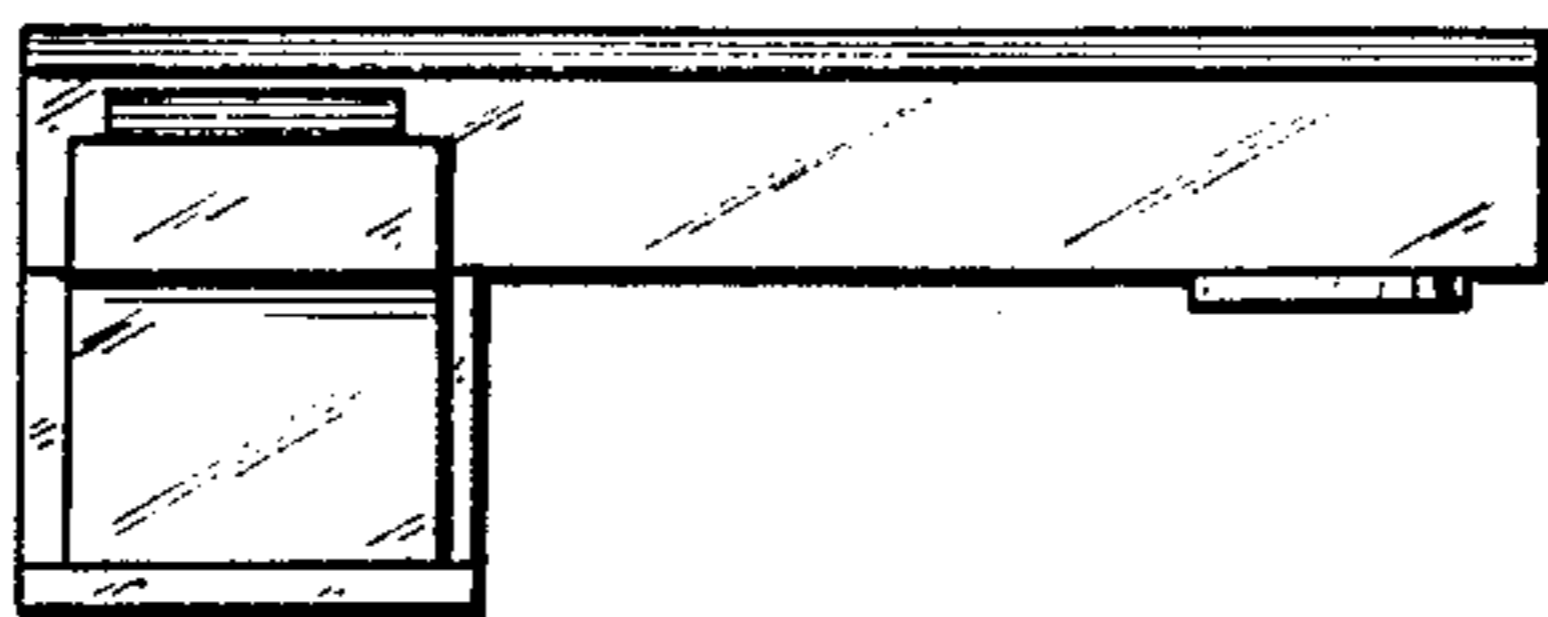


Fig. 4