

[54] **ELECTROSTATIC SPRAY GUN**

[75] **Inventors: Robert J. Lind, Robbinsdale; Stanley G. Karwoski, Oakdale; Lawrence J. Lunzer, St. Louis Park, all of Minn.; Alexander Bally, Pittsburgh, Pa.**

[73] **Assignee: Graco Inc., Minneapolis, Minn.**

[**] **Term: 14 Years**

[21] **Appl. No.: 235,636**

[22] **Filed: Aug. 24, 1988**

[52] **U.S. Cl. D23/226**

[58] **Field of Search D23/213, 223-227; 239/301, 332, 373, 394, 414-415, 525-528, 532, 554, 556, 690, 691, 700-703; 251/244; 361/227, 228, 235; D8/14.1, 68**

[56] **References Cited**

U.S. PATENT DOCUMENTS

D. 252,097 6/1979 Probst et al. D23/226
4,216,907 8/1980 Fuller 239/526 X
4,462,061 7/1984 Mommsen 361/227

Primary Examiner—Wallace R. Burke

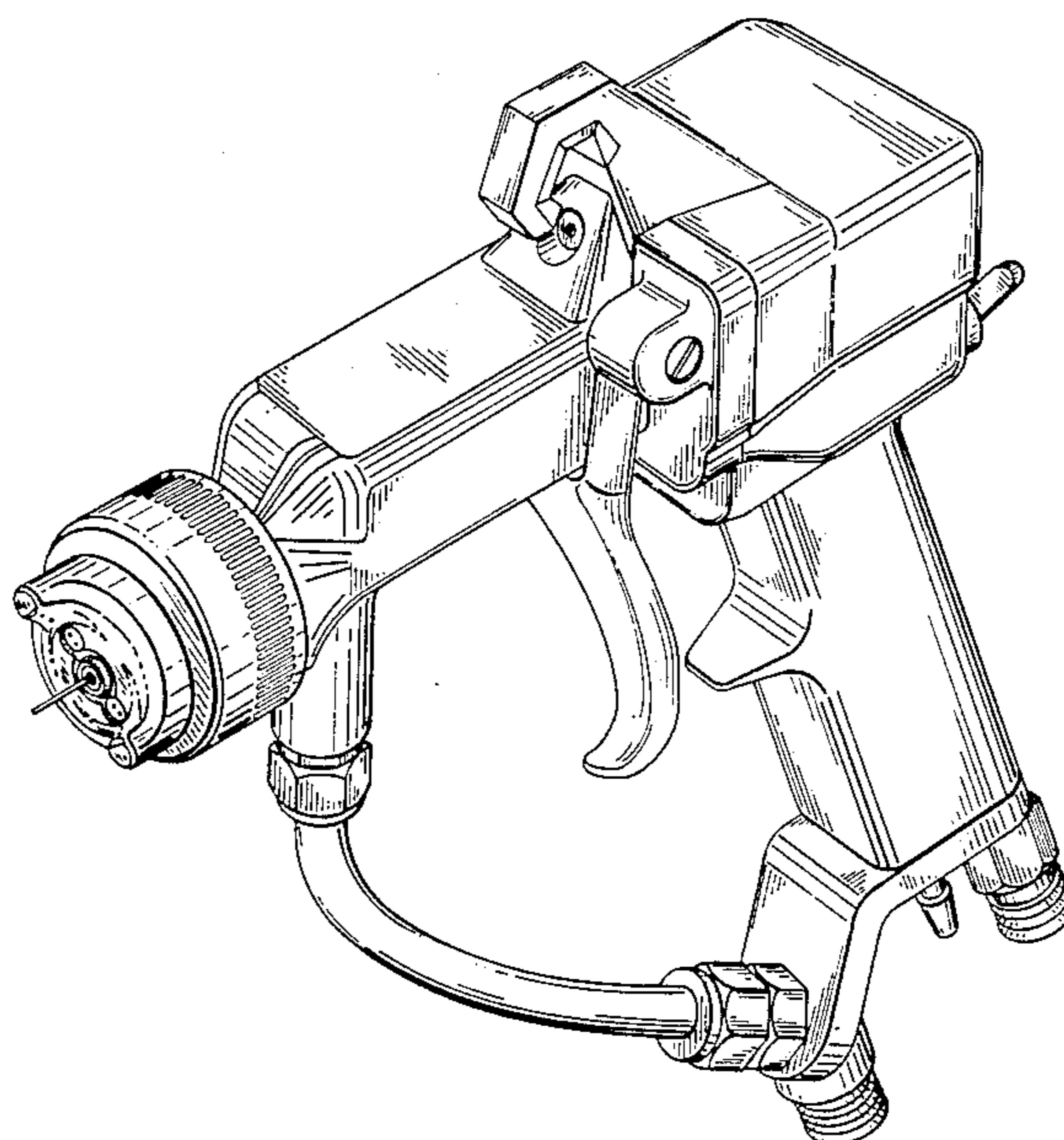
Assistant Examiner—M. H. Tung

[57] **CLAIM**

The ornamental design for an electrostatic spray gun, as shown and described.

DESCRIPTION

FIG. 1 is a left side perspective view of an electrostatic spray gun showing our new design;
FIG. 2 is a left side elevational view thereof;
FIG. 3 is a right side elevational view thereof;
FIG. 4 is a top plan view thereof;
FIG. 5 is a bottom plan view thereof;
FIG. 6 is a front elevational view thereof;
FIG. 7 is a rear elevational view thereof.



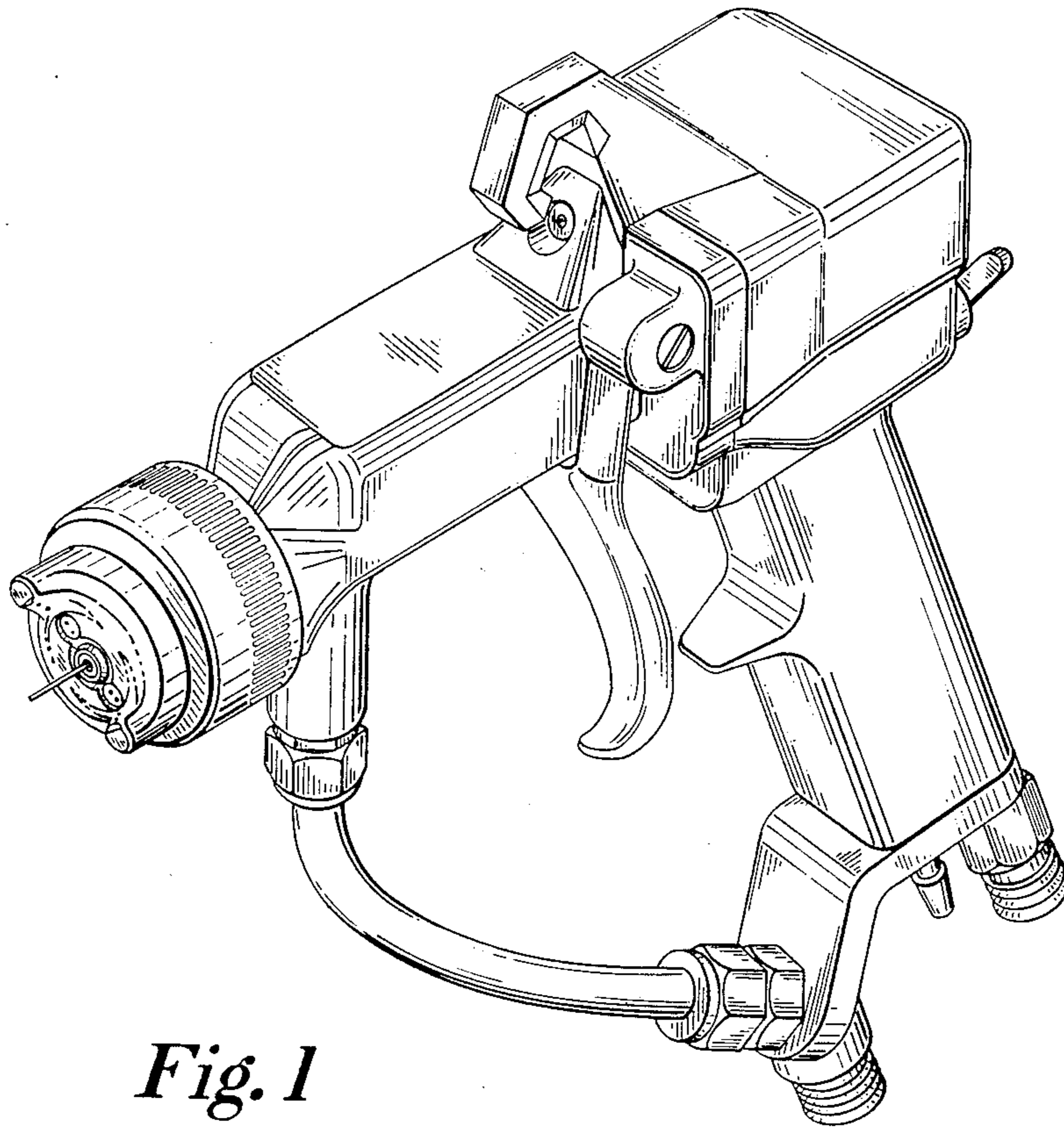


Fig. 1

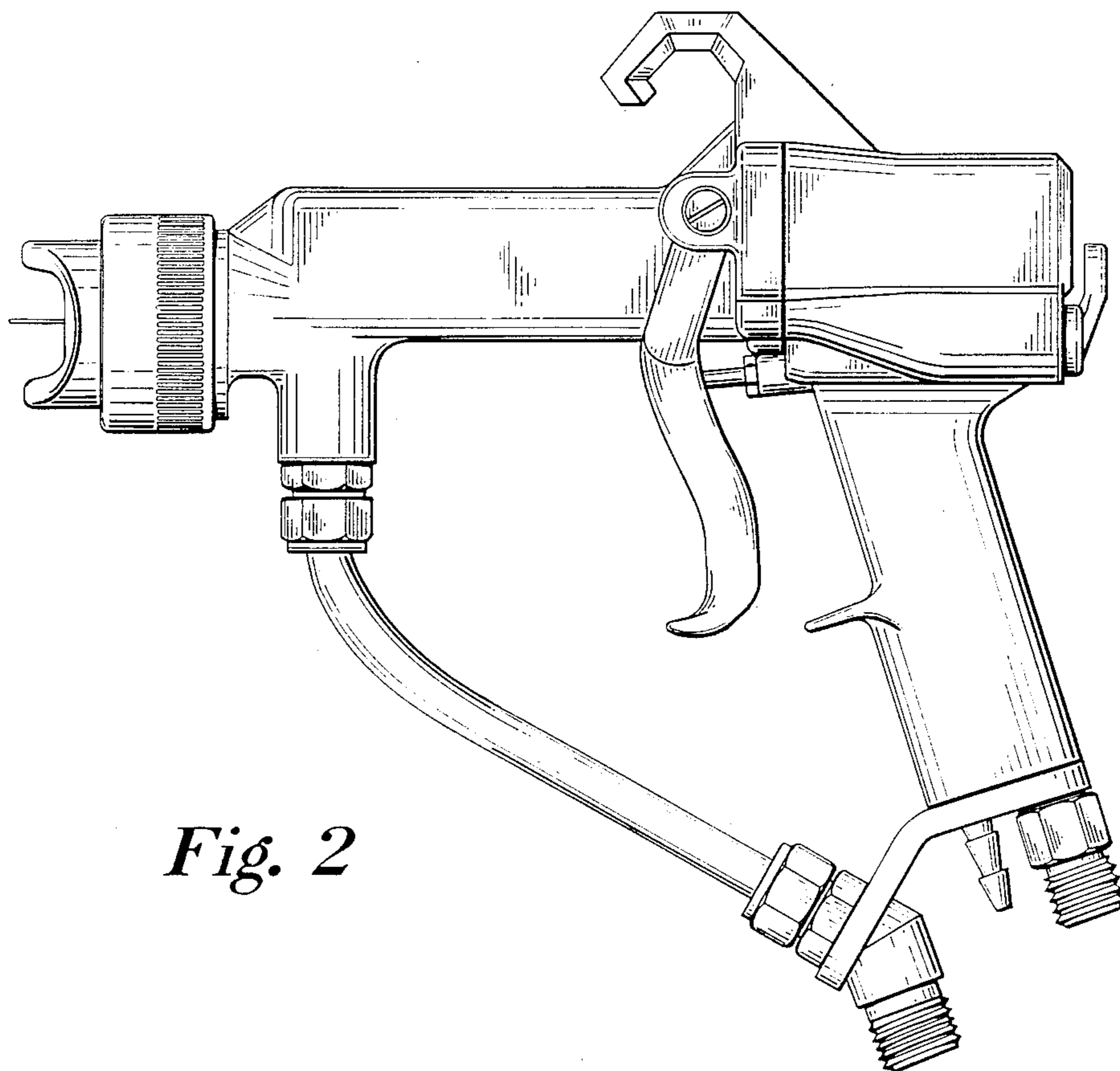


Fig. 2

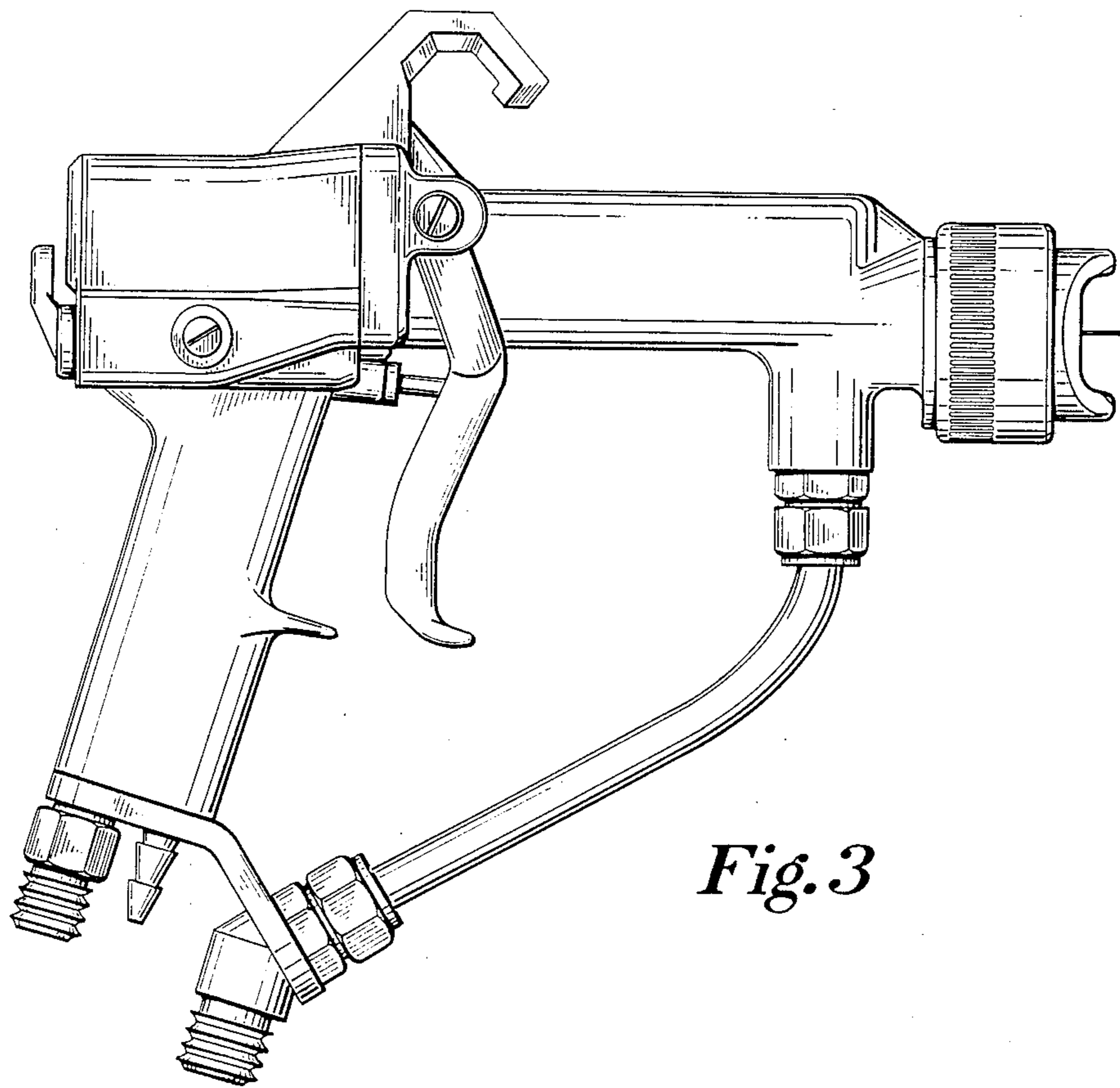


Fig. 3

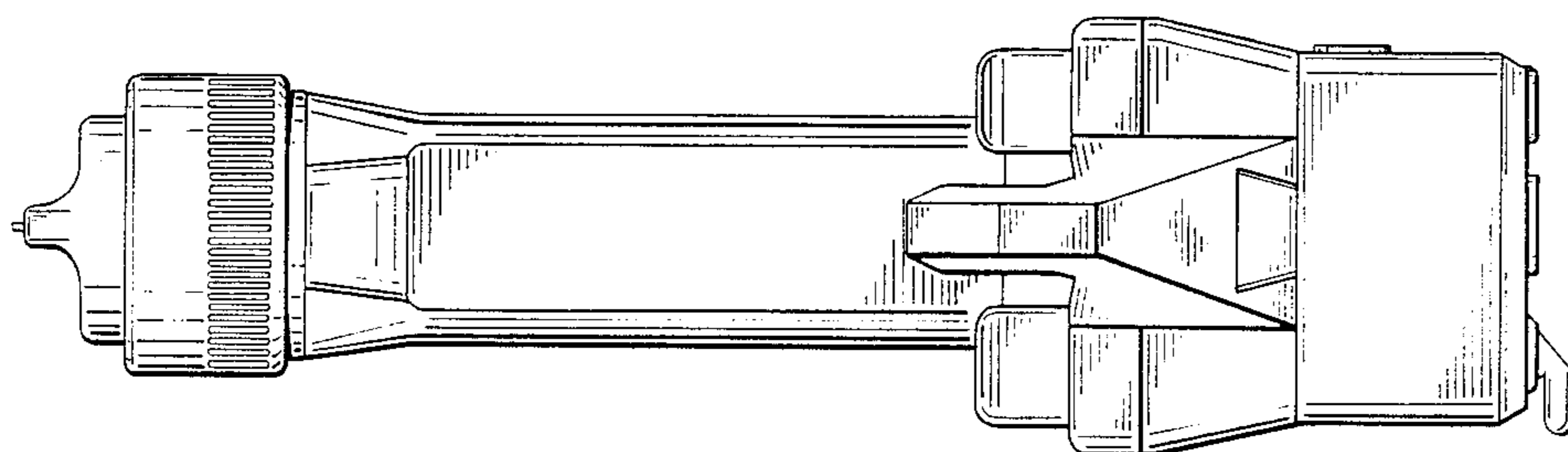


Fig. 4

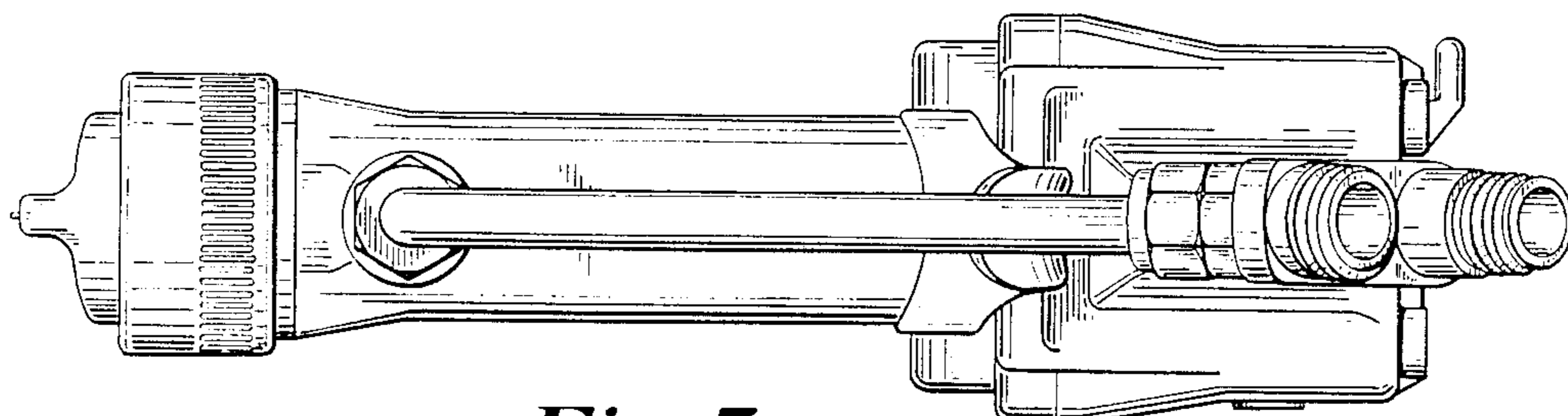


Fig. 5

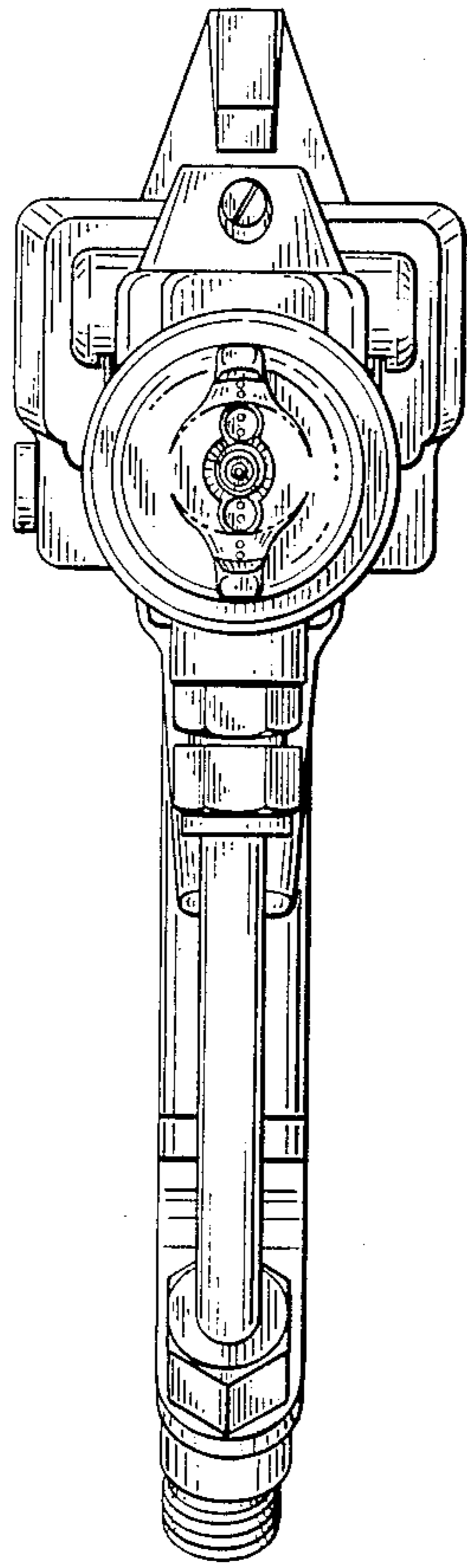


Fig. 6

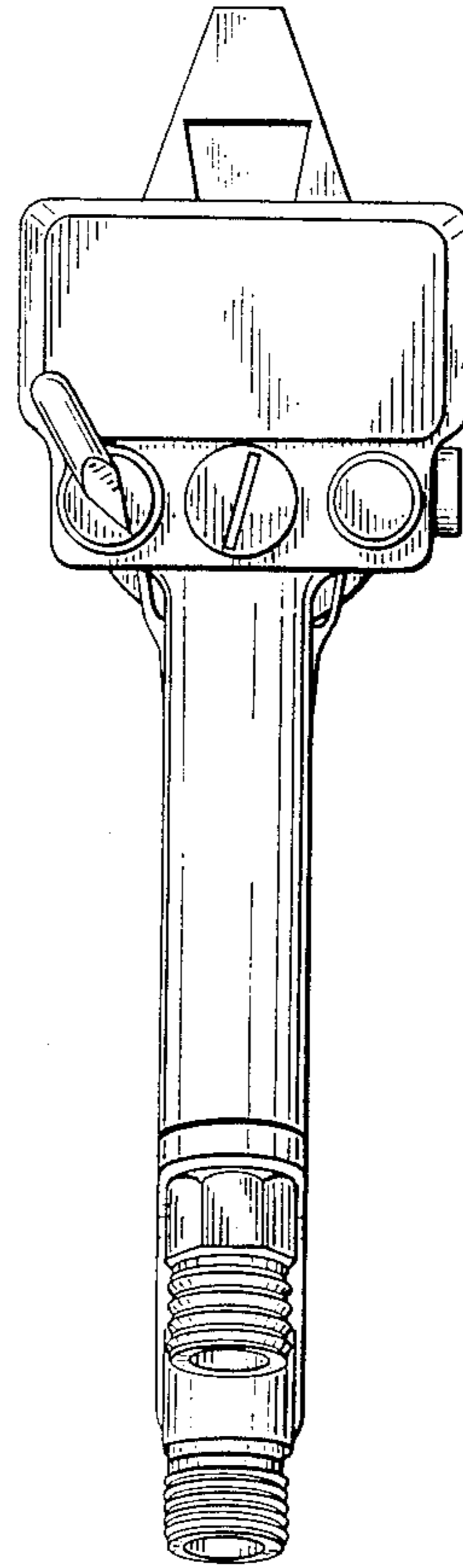


Fig. 7