

[54] SHOWER HEAD WITH MULTIPLE NOZZLES

[76] Inventor: Karel Sroubek, 2321 S. 13th Ave., N. Riverside, Ill. 60546

[**] Term: 14 Years

[21] Appl. No.: 134,908

[22] Filed: Dec. 18, 1987

[52] U.S. Cl. D23/213

[58] Field of Search D23/213, 223-227; 4/191-192, 567-570, 599-603, 596, 615; 239/276, 279-283, 288.5, 310, 443-449, 456-460, 525, 530-532, 548, 550-552, 556-559, 562-565, 567, 581.1, 581.2, 586-588

[56] References Cited

U.S. PATENT DOCUMENTS

509,353 11/1893 Austin 4/191 X

914,573 3/1909 Holmes 4/567
1,191,778 7/1916 Flanagan 4/191

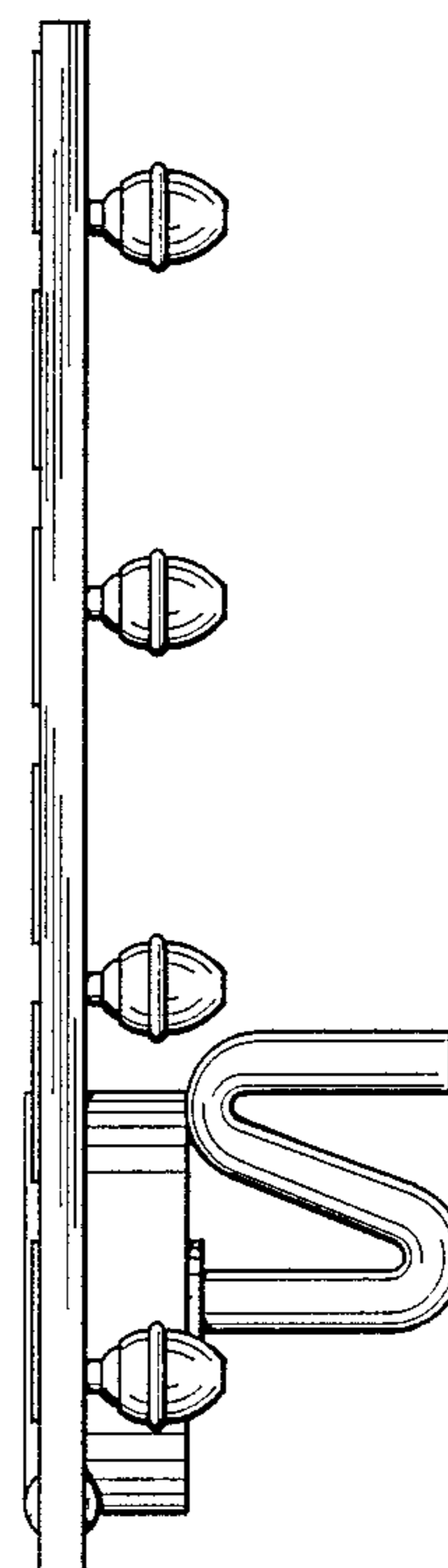
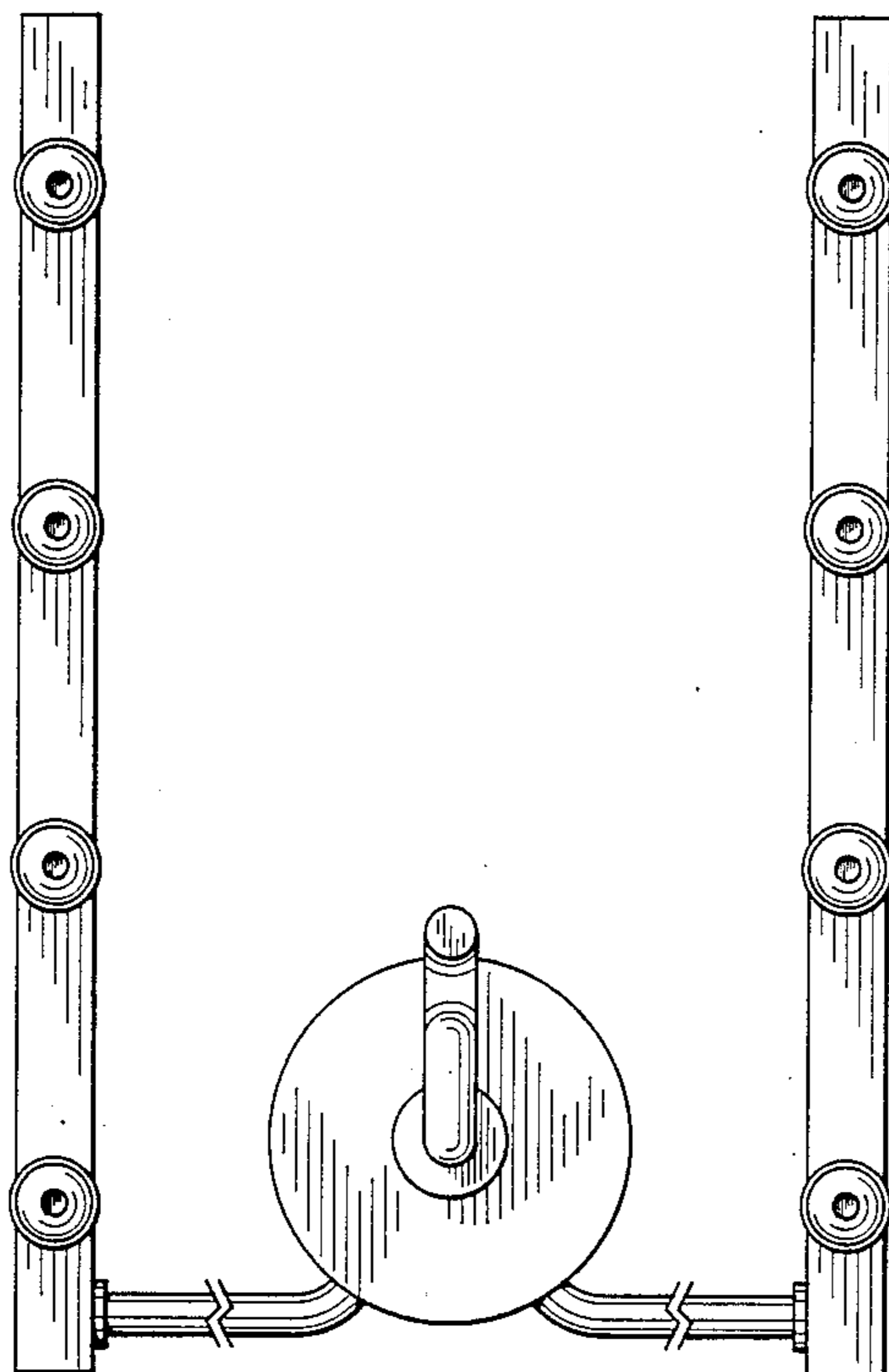
Primary Examiner—Wallace R. Burke
Assistant Examiner—M. H. Tung
Attorney, Agent, or Firm—Jerry T. Kearns

[57] CLAIM

The ornamental design for a shower head with multiple nozzles, as shown and described.

DESCRIPTION

FIG. 1 is a front elevational view of a shower head with multiple nozzles showing my new design; FIG. 2 is a rear elevational view thereof; FIG. 3 is a left side elevational view thereof; FIG. 4 is a right side elevational view thereof; FIG. 5 is a top plan view thereof; and, FIG. 6 is a bottom plan view thereof. The broken away pipes are for indication of indeterminate length.



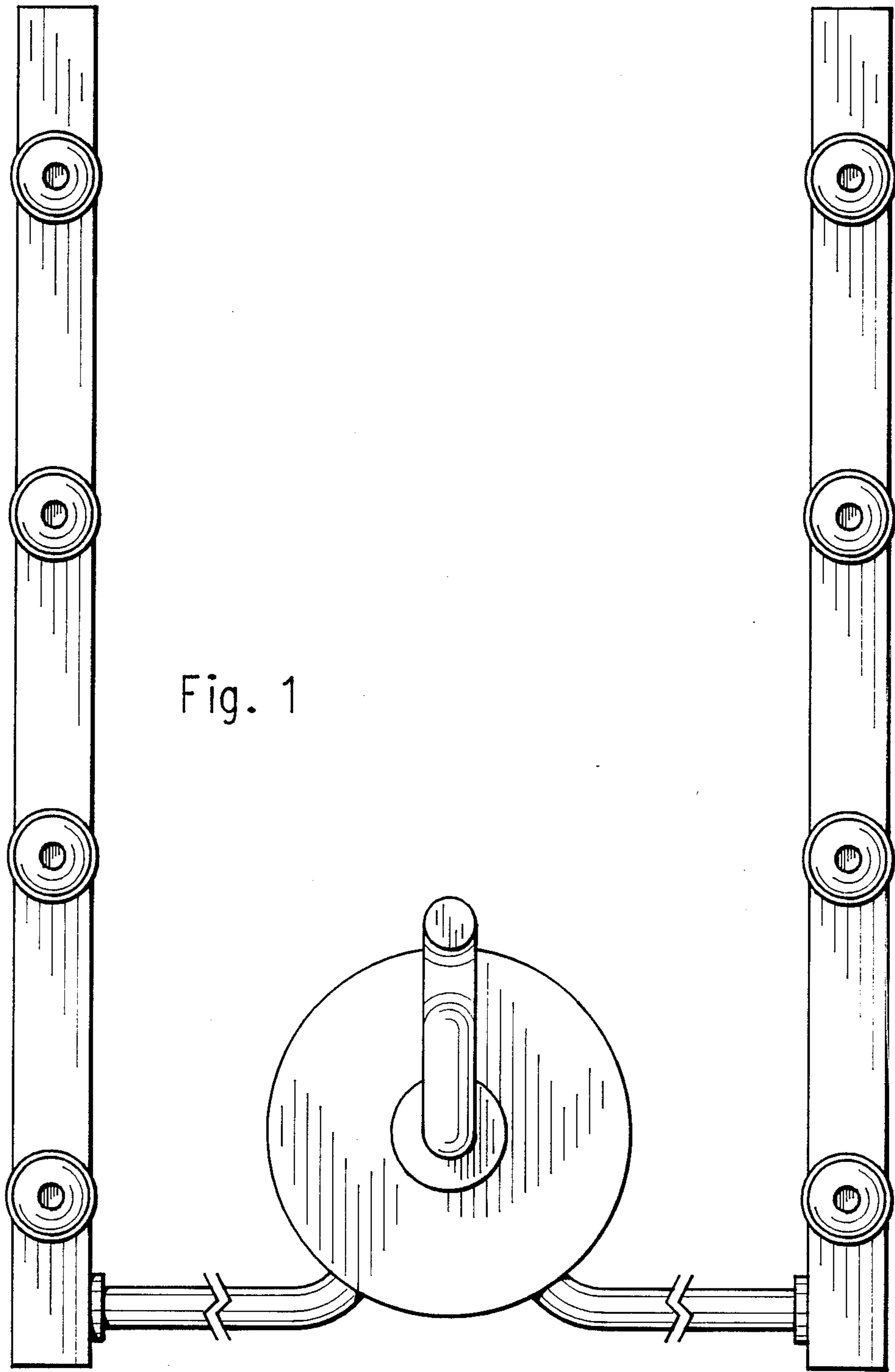
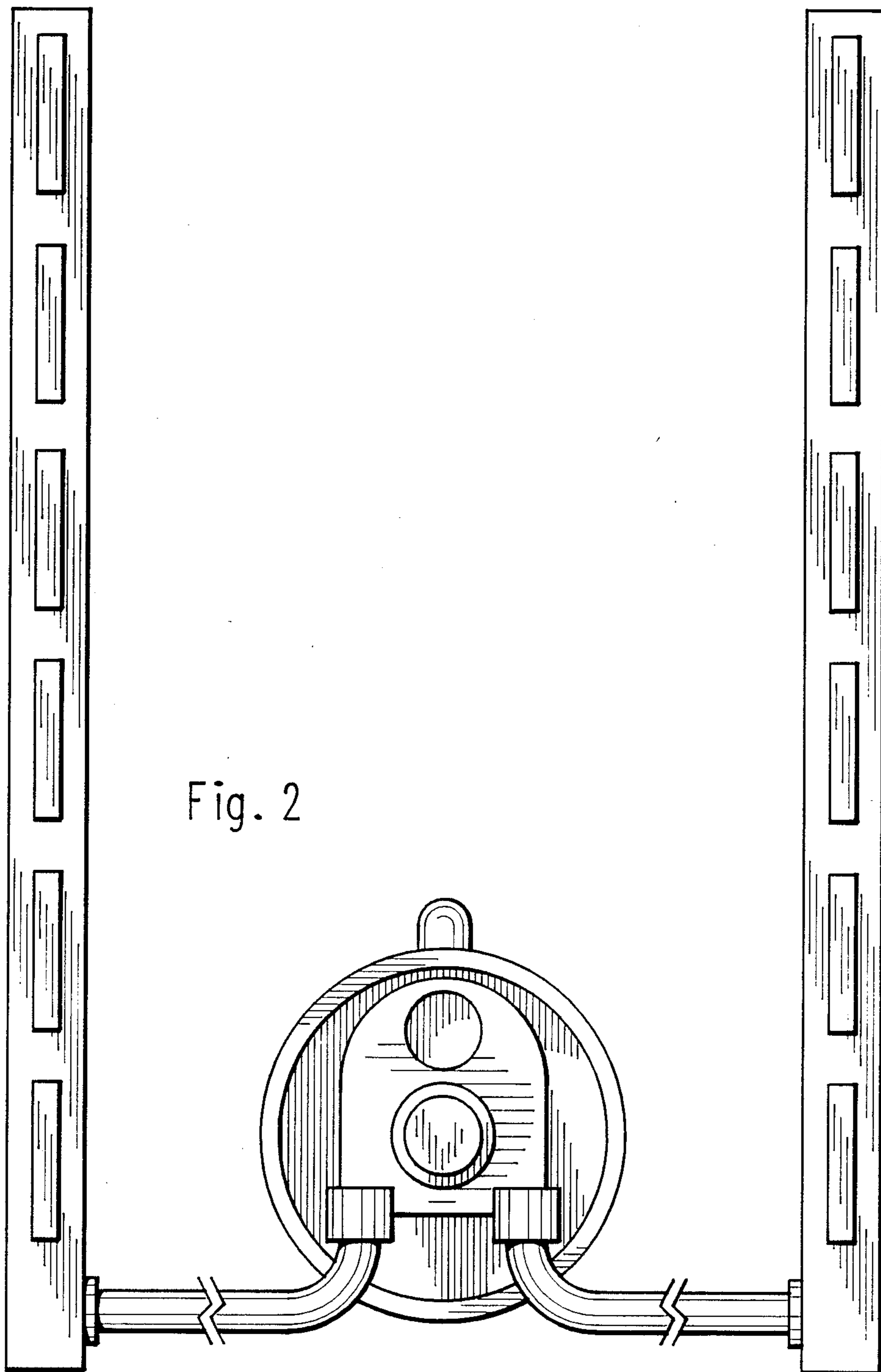


Fig. 1



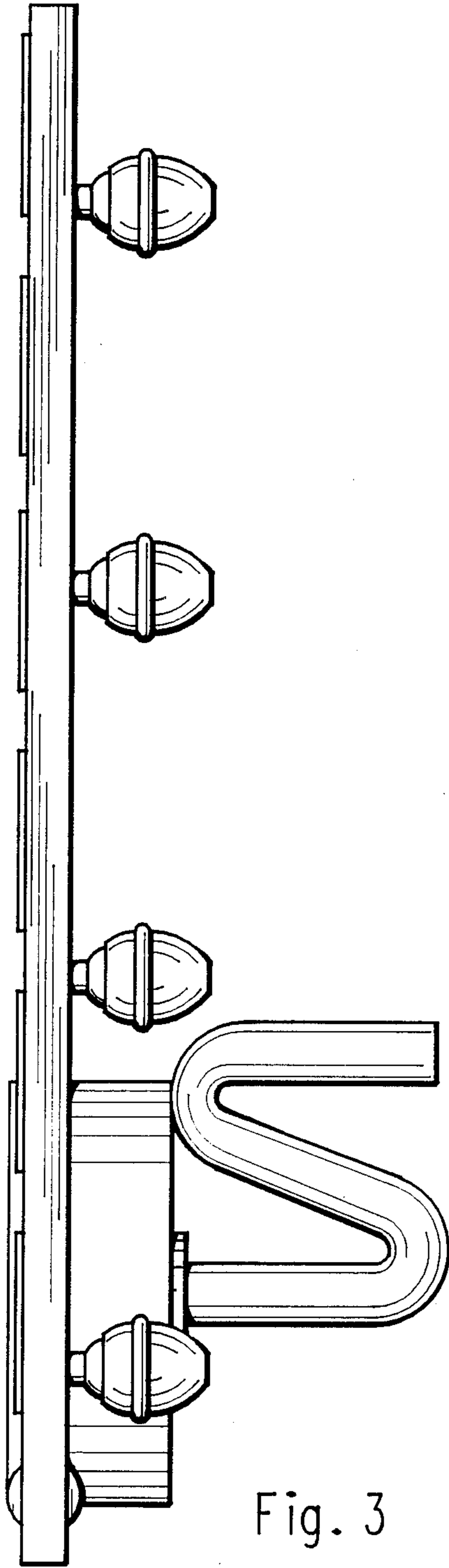


Fig. 3

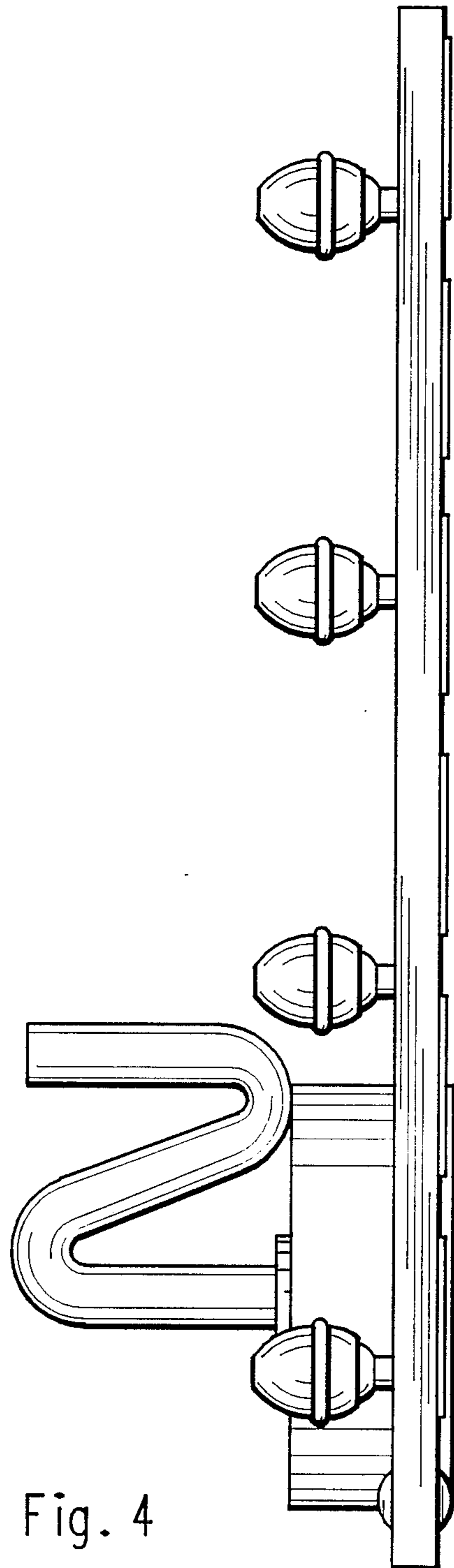


Fig. 4

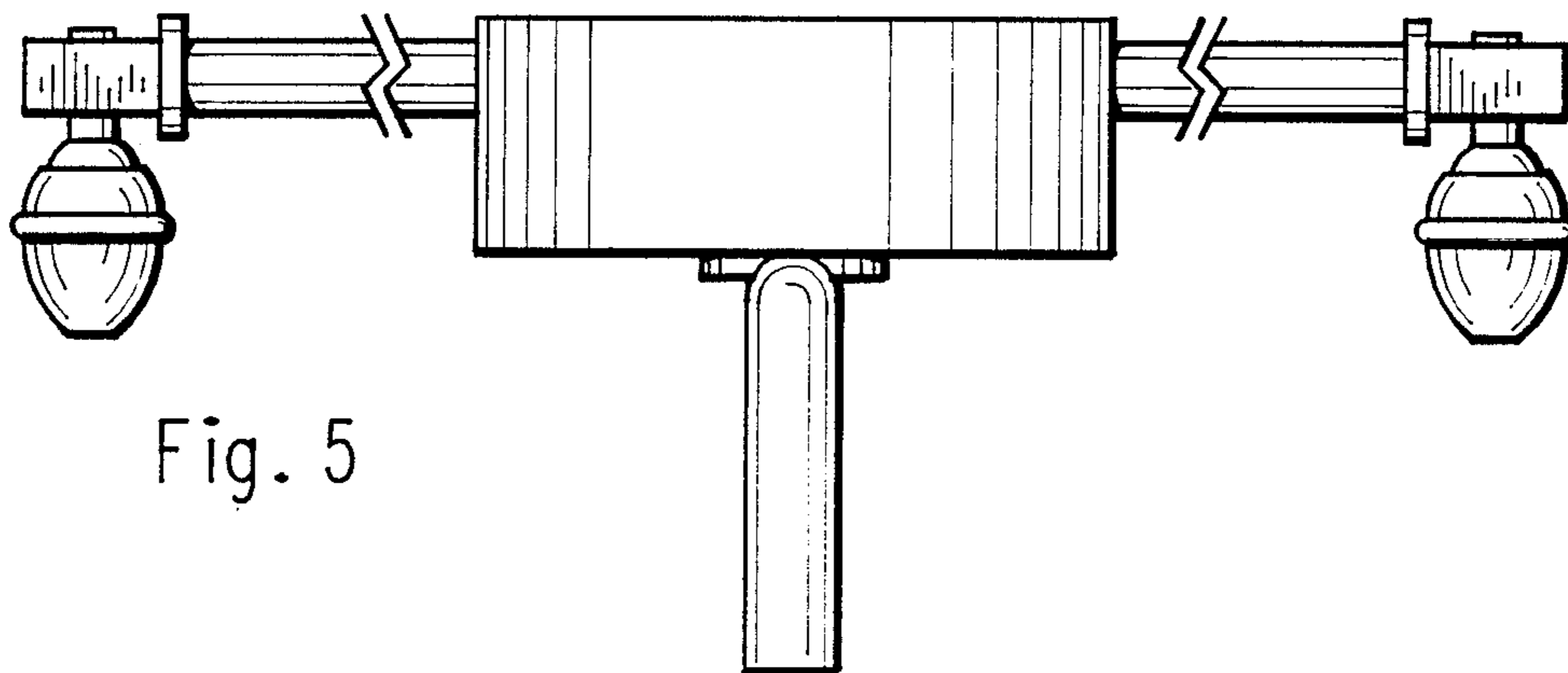


Fig. 5

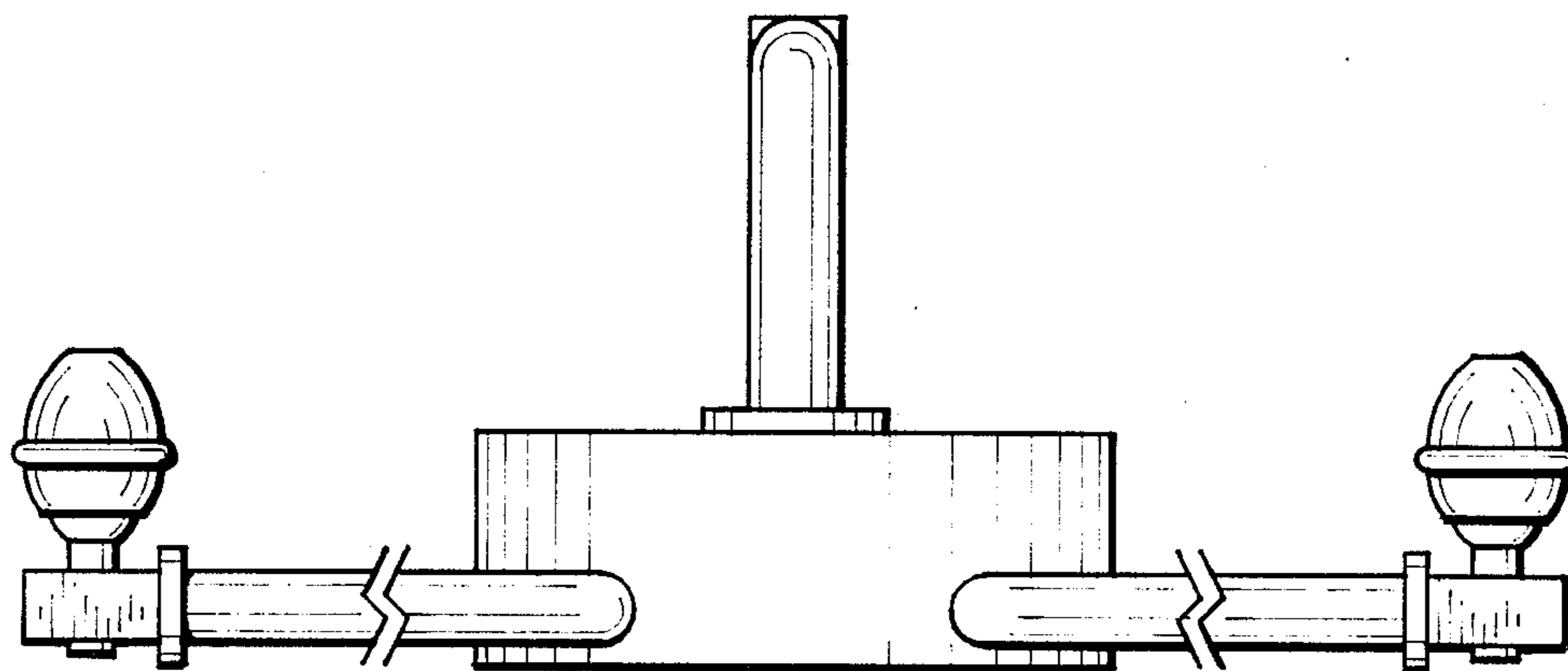


Fig. 6