

United States Patent [19]

Alexander et al.

[11] Patent Number: Des. 313,060

[45] Date of Patent: ** Dec. 18, 1990

[54] NIGHT FISHING ALARM

[76] Inventors: Jimmy E. Alexander; David A. Alexander, both of Rte. 1, Box 119 AA, Port Lavaca, Tex. 77979

[**] Term: 14 Years

[21] Appl. No.: 195,177

[22] Filed: May 18, 1988

[52] U.S. Cl. D22/134; D22/199

[58] Field of Search D22/134, 149; 43/17.6, 43/17, 17.5, 21.2, 27.4, 42.38

[56] **References Cited**

U.S. PATENT DOCUMENTS

D. 205,518	8/1966	Hopper	D22/139
2,441,458	5/1948	Underwood	43/53.5
3,405,476	10/1968	Pumilio	D22/145 X
3,559,224	2/1971	Shimizu	43/17.5 X
3,600,836	8/1971	Miyamae	43/17
3,656,251	4/1972	Snider et al.	43/17

4,471,554	9/1984	Heiskell	43/27.4 X
4,505,063	3/1985	Price et al.	43/17.5
4,660,316	4/1987	Gamelin	43/17

FOREIGN PATENT DOCUMENTS

618410	12/1926	France	43/42.38
--------	---------	--------------	----------

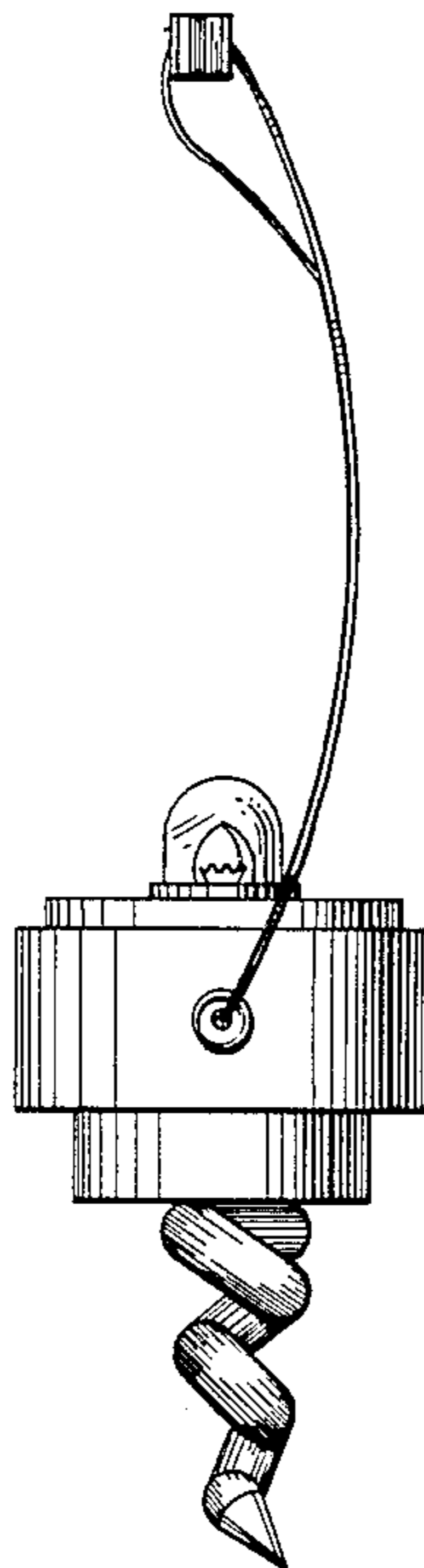
Primary Examiner—A. Hugo Word
Assistant Examiner—Doris V. Coles
Attorney, Agent, or Firm—Jerry T. Kearns

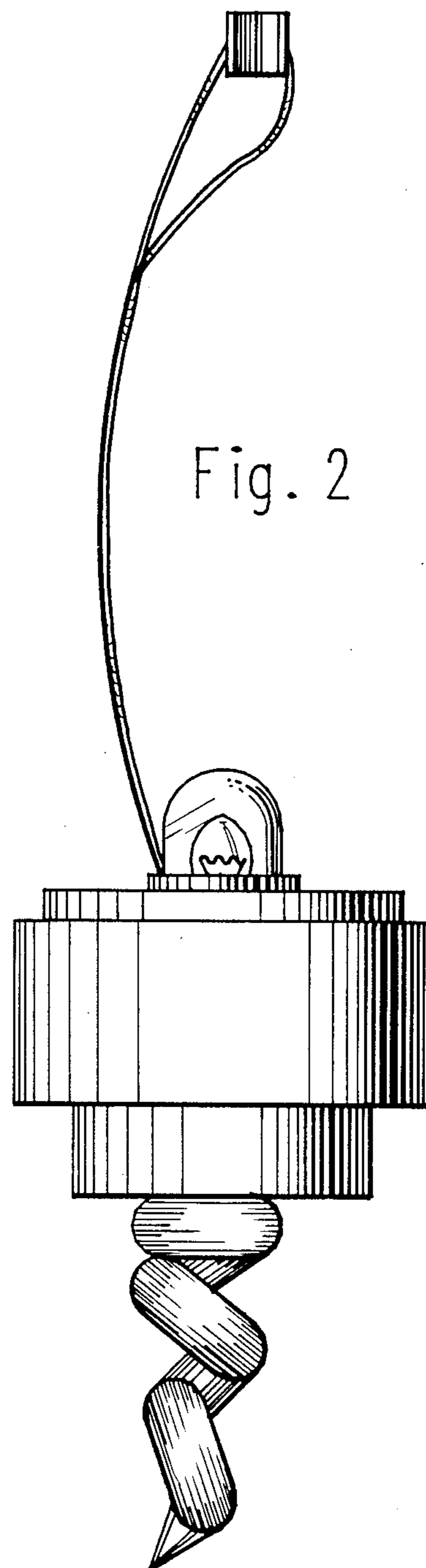
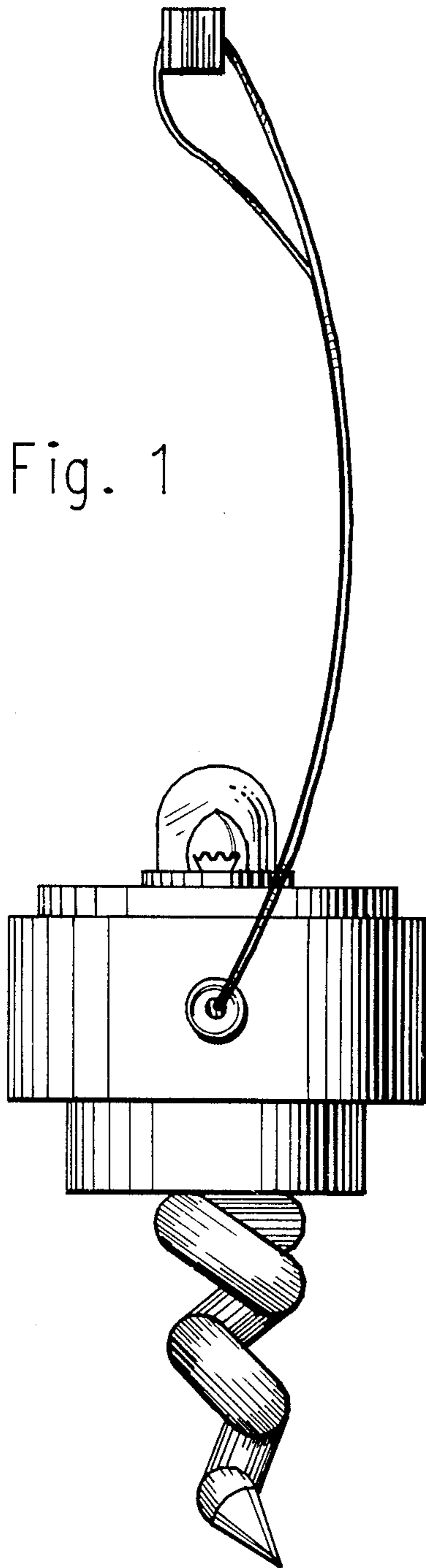
[57] **CLAIM**

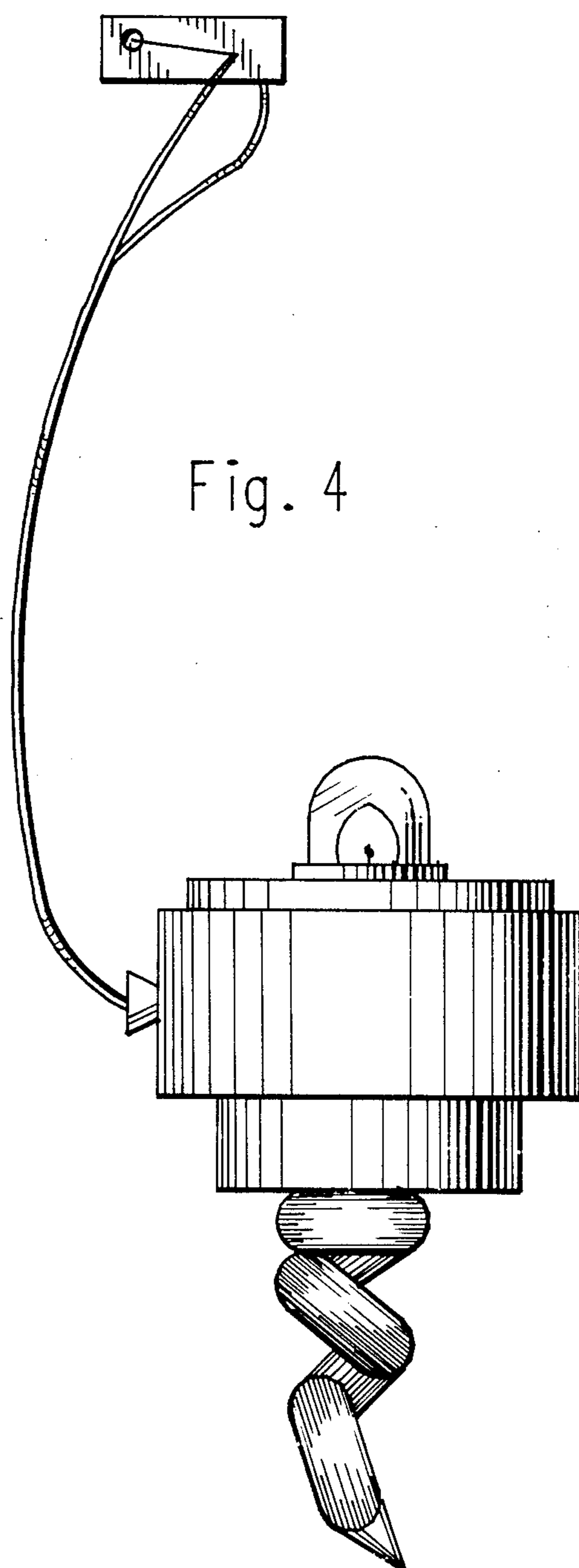
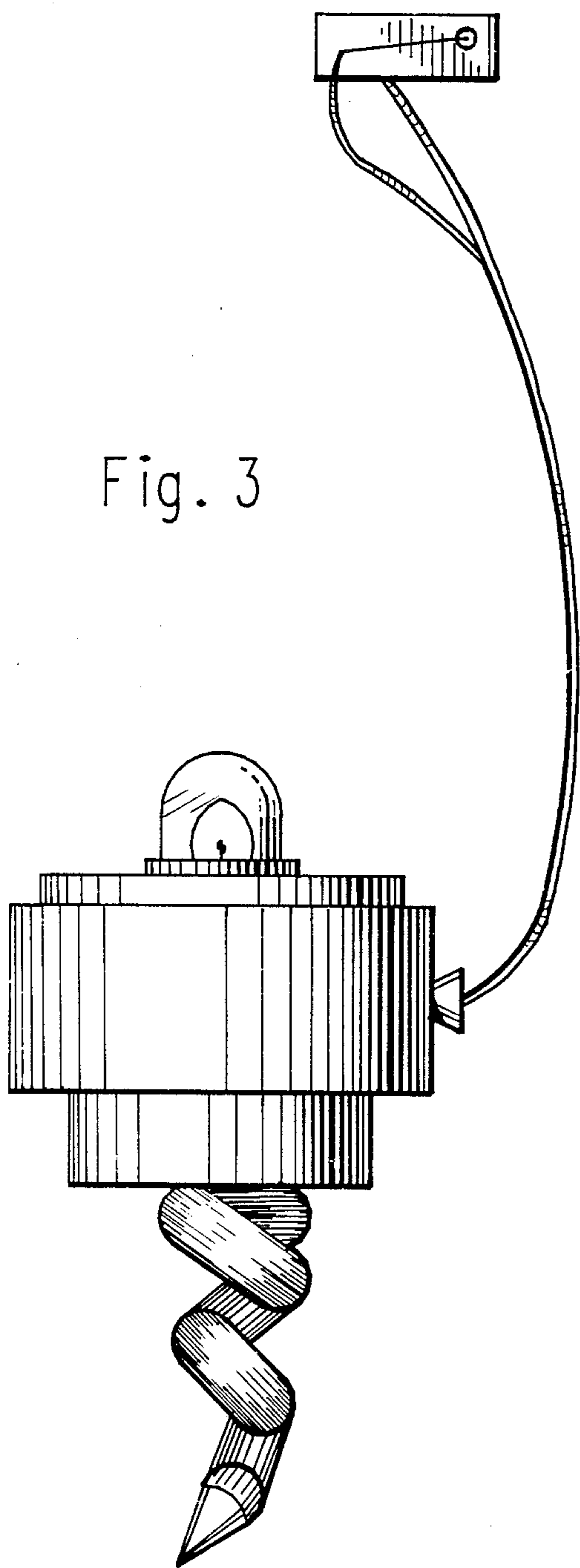
The ornamental design for night fishing alarm, as shown and described.

DESCRIPTION

FIG. 1 is a front elevational view of night fishing alarm showing our new design;
FIG. 2 is a rear elevational view thereof;
FIG. 3 is a left side elevational view thereof;
FIG. 4 is a right side elevational view thereof;
FIG. 5 is a top plan view thereof; and,
FIG. 6 is a bottom plan view thereof.







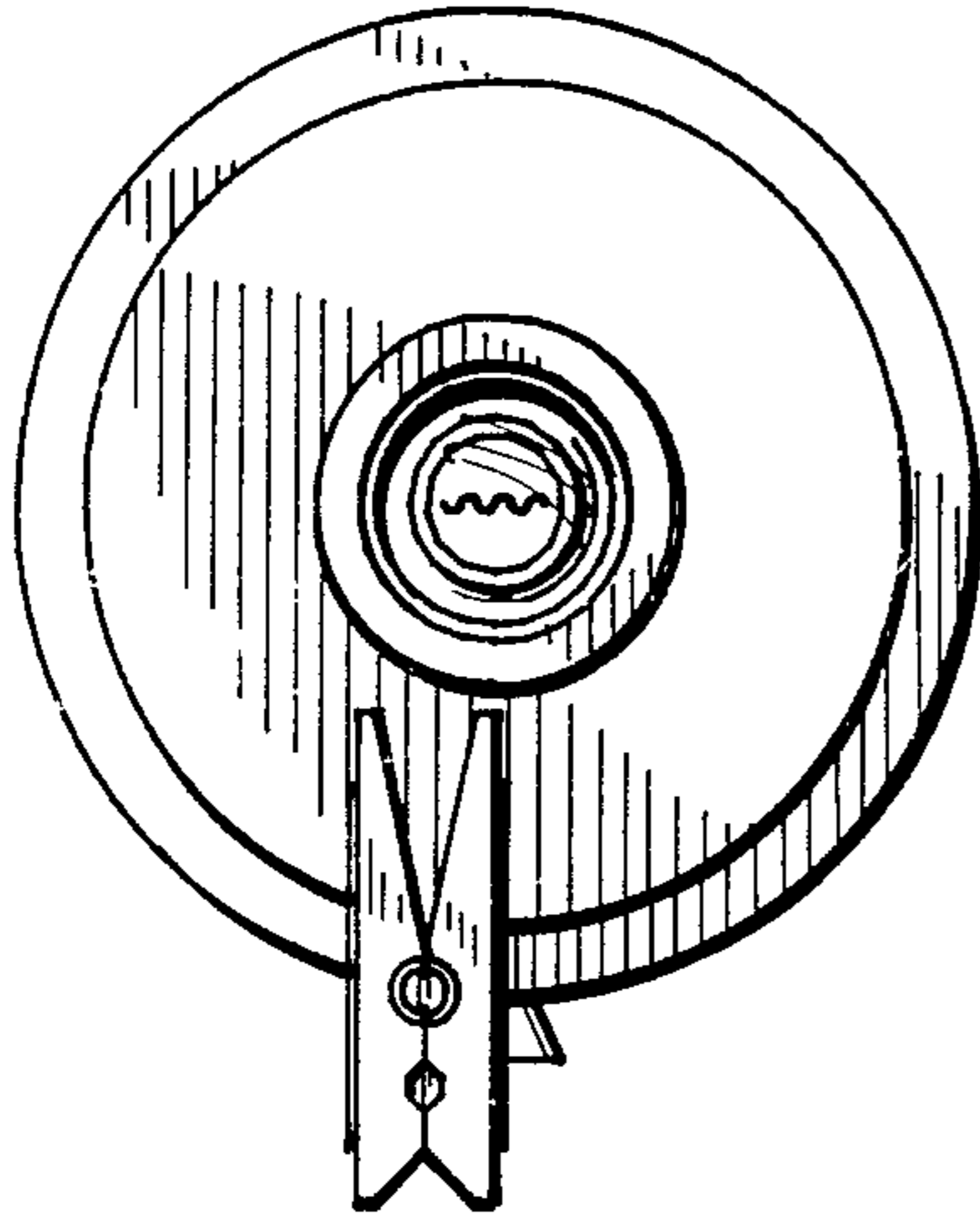


Fig. 5

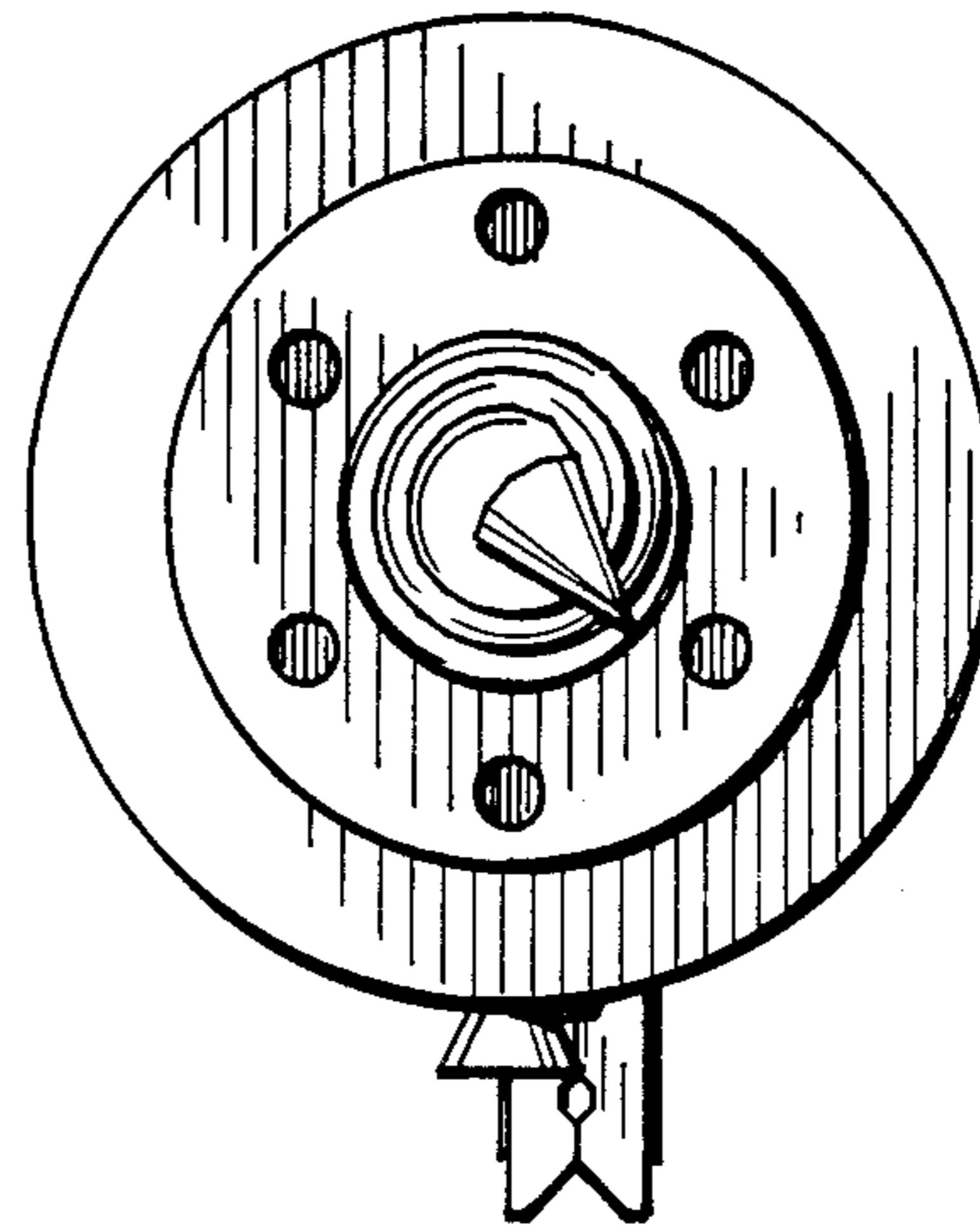


Fig. 6