

[54] ARCHERY OVERDRAW
[76] Inventor: Benny Sears, Rte. 2, Cleveland, Ga.
30528
[**] Term: 14 Years
[21] Appl. No.: 291,996
[22] Filed: Dec. 30, 1988
[52] U.S. Cl. D22/107
[58] Field of Search D22/107; 124/23.1, 24.1,
124/41.1, 86, 87, 88, 90, 44.5

4,879,988 11/1989 Larson 124/88 X

OTHER PUBLICATIONS

Bass Pro Shop, p. 57, Over-Draw, Item #T661-850-00.

Primary Examiner—A. Hugo Word
Assistant Examiner—Doris V. Coles
Attorney, Agent, or Firm—Thomas & Kerr

[56] References Cited

U.S. PATENT DOCUMENTS

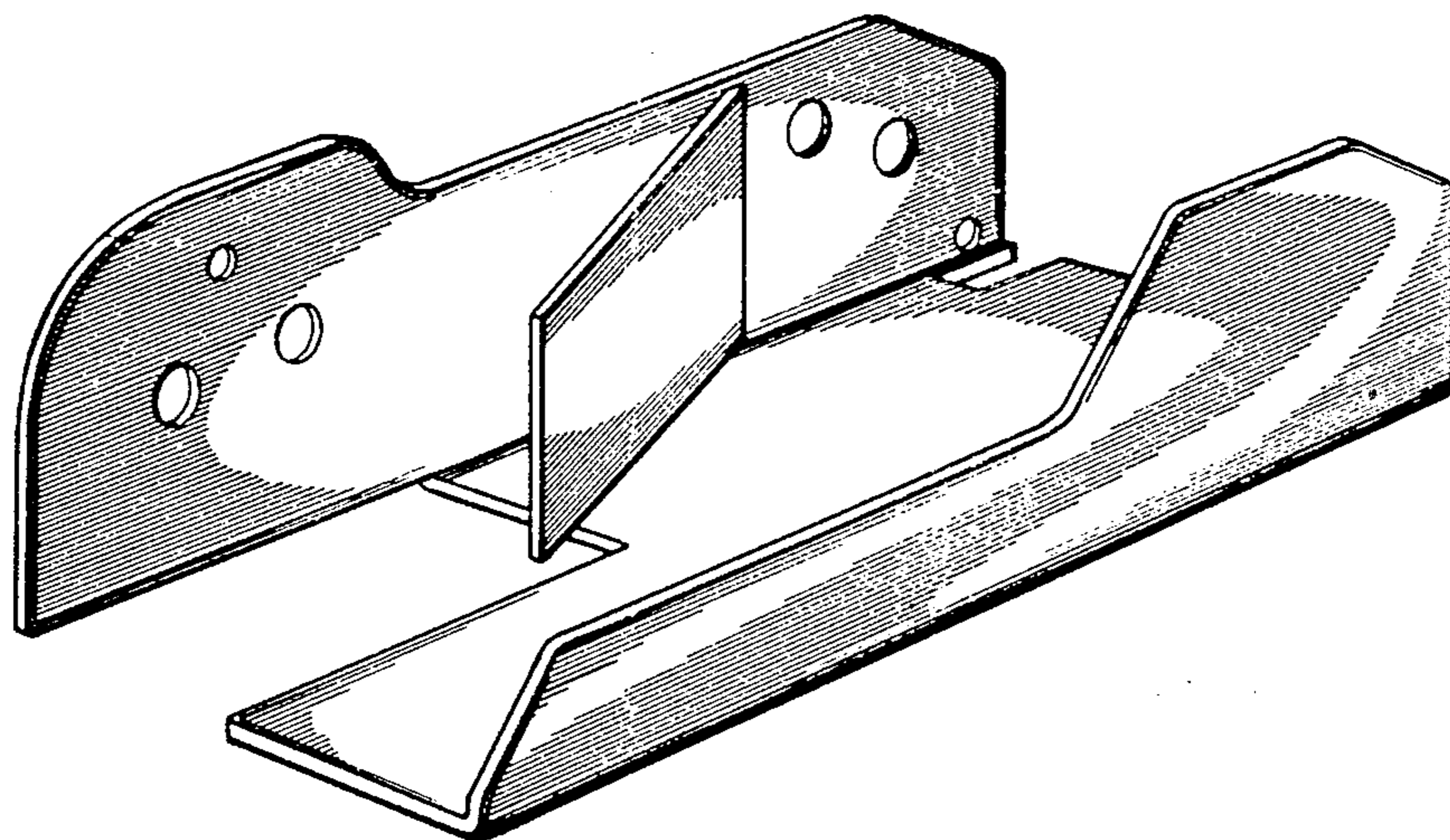
4,146,009	3/1979	Adams	124/88
4,385,618	5/1983	Nishioka	124/24
4,446,844	5/1984	Nishioka	124/41 A
4,693,229	9/1987	Nishioka	124/41 A
4,696,281	9/1987	Nishioka	124/25
4,705,015	11/1987	Troncoso, Jr.	124/24 R
4,759,337	7/1988	Suski	124/44.5

[57] CLAIM

The ornamental design for an archery overdraw, as shown and described.

DESCRIPTION

FIG. 1 is a perspective view of an archery overdraw, showing my new design;
FIG. 2 is a front elevational view thereof;
FIG. 3 is a rear elevational view thereof;
FIG. 4 is a left side elevational view thereof;
FIG. 5 is a right side elevational view thereof;
FIG. 6 is a top plan view thereof; and
FIG. 7 is a bottom plan view thereof.



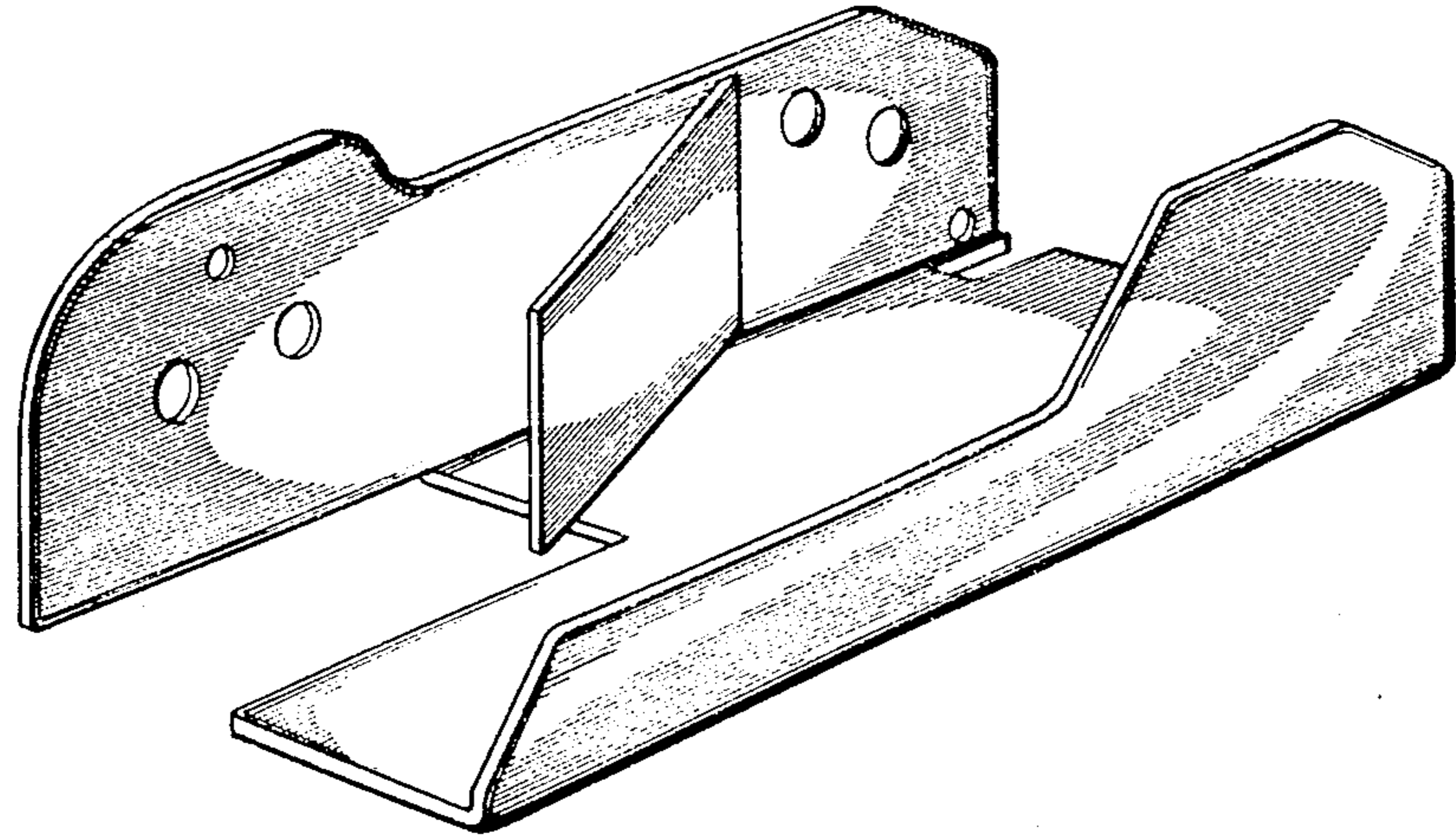


FIG 1

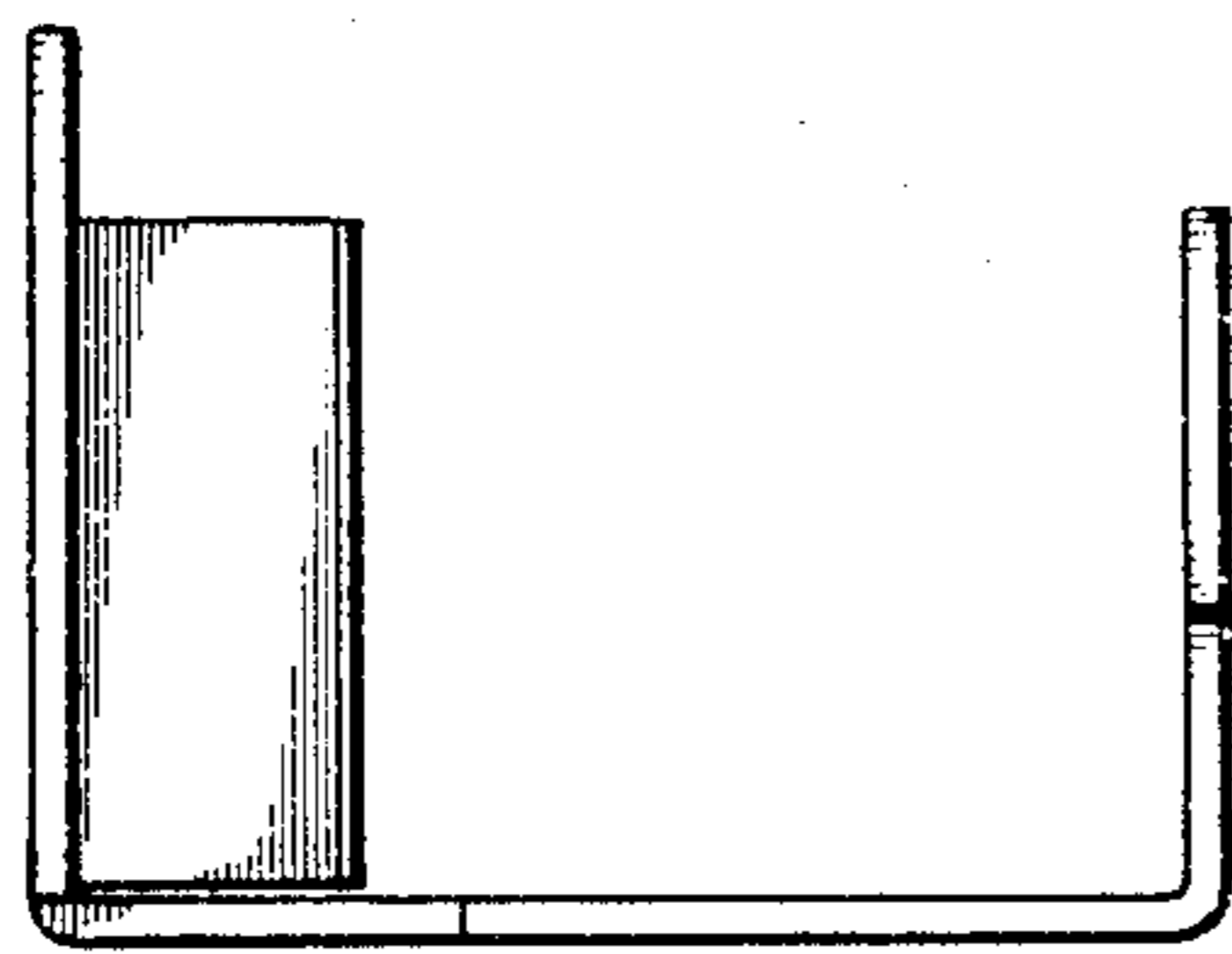


FIG 2

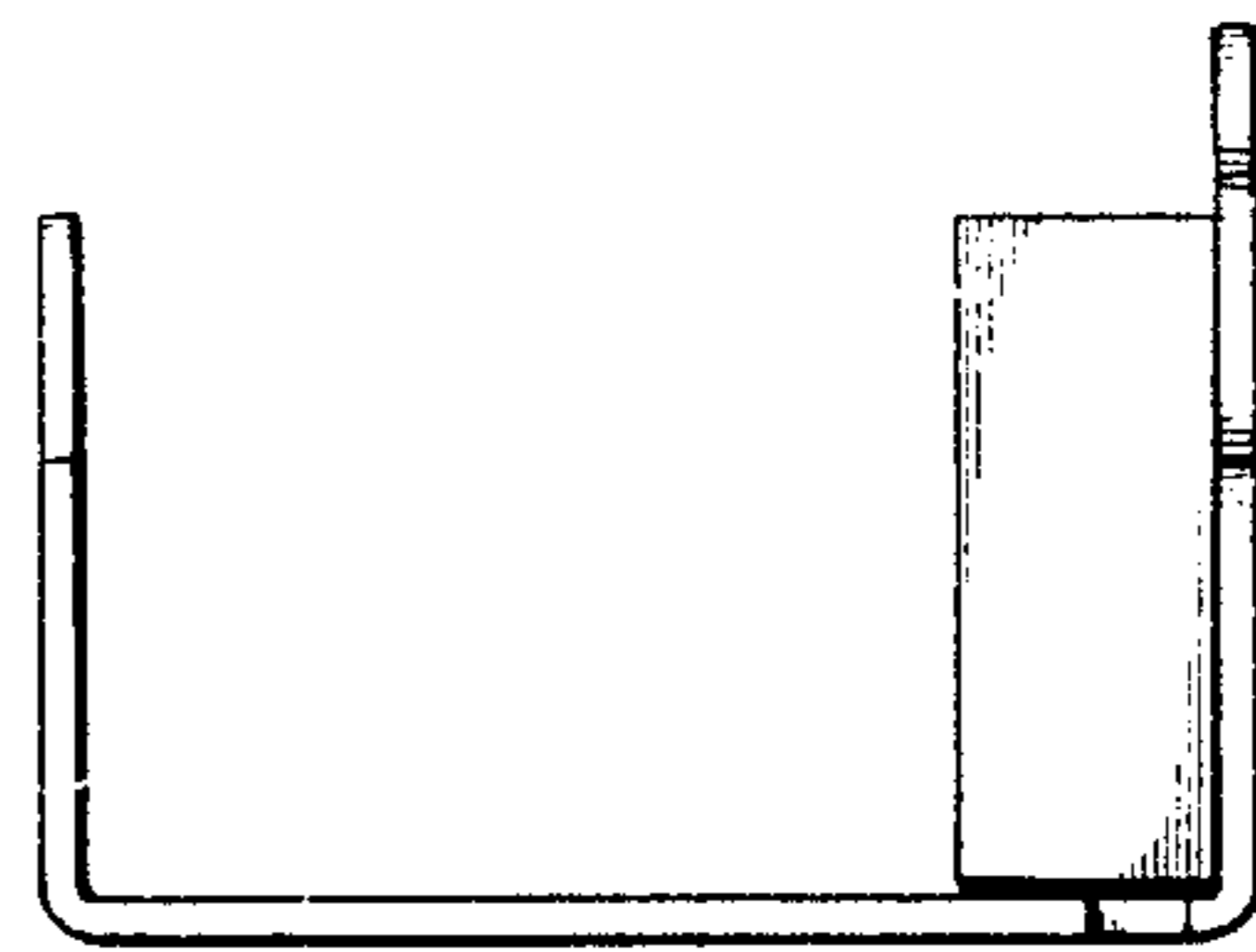


FIG 3

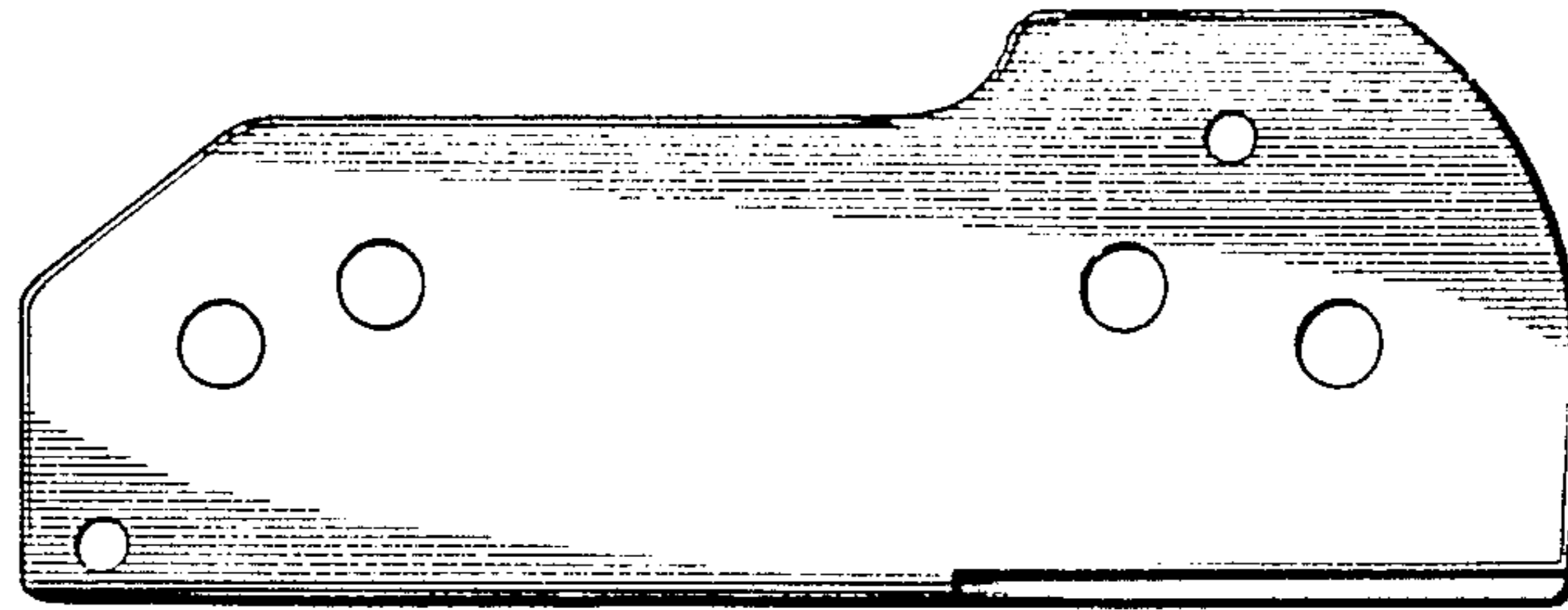


FIG 4

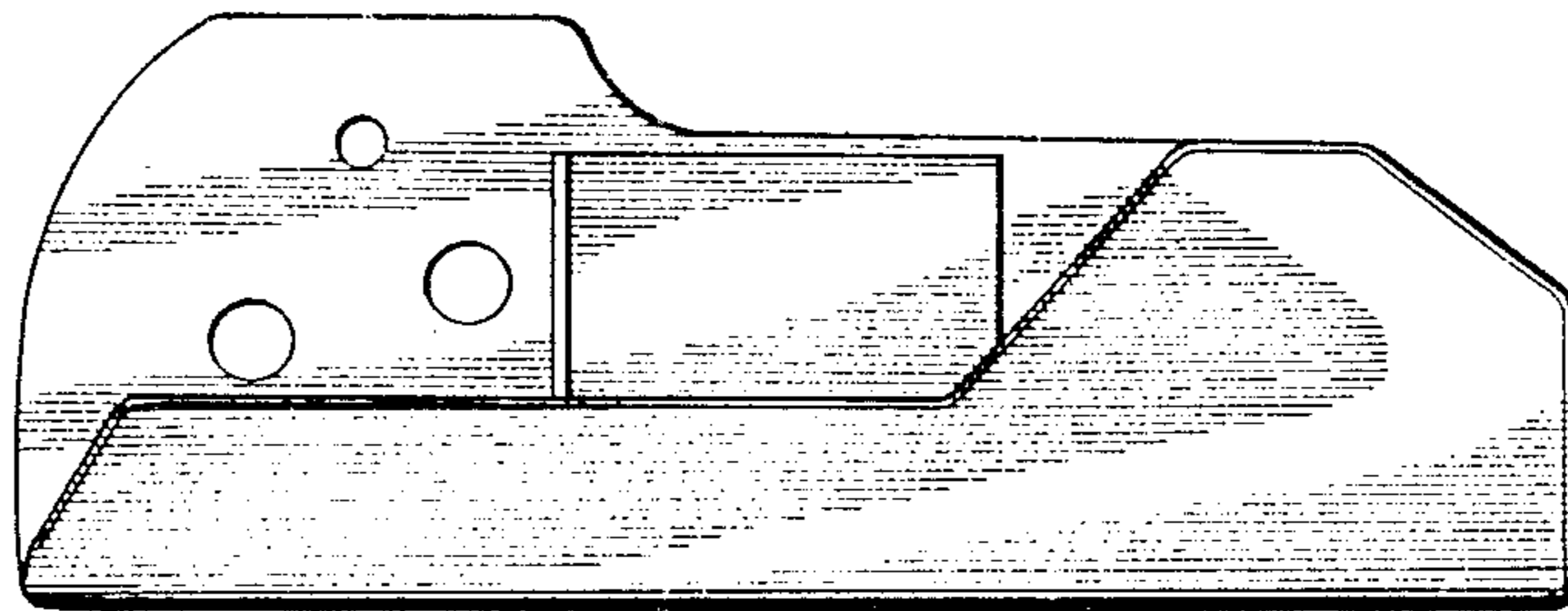


FIG 5

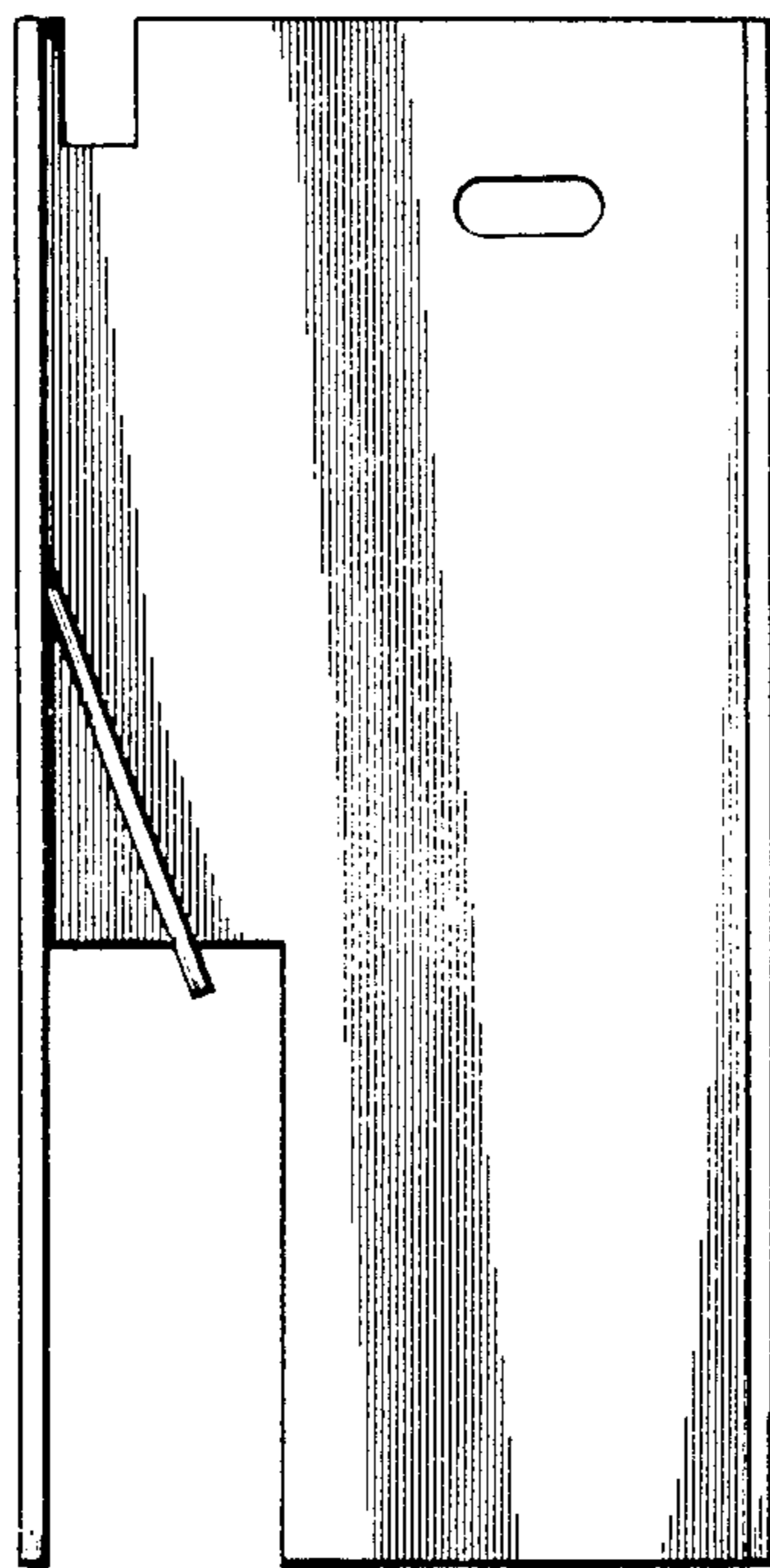


FIG 6

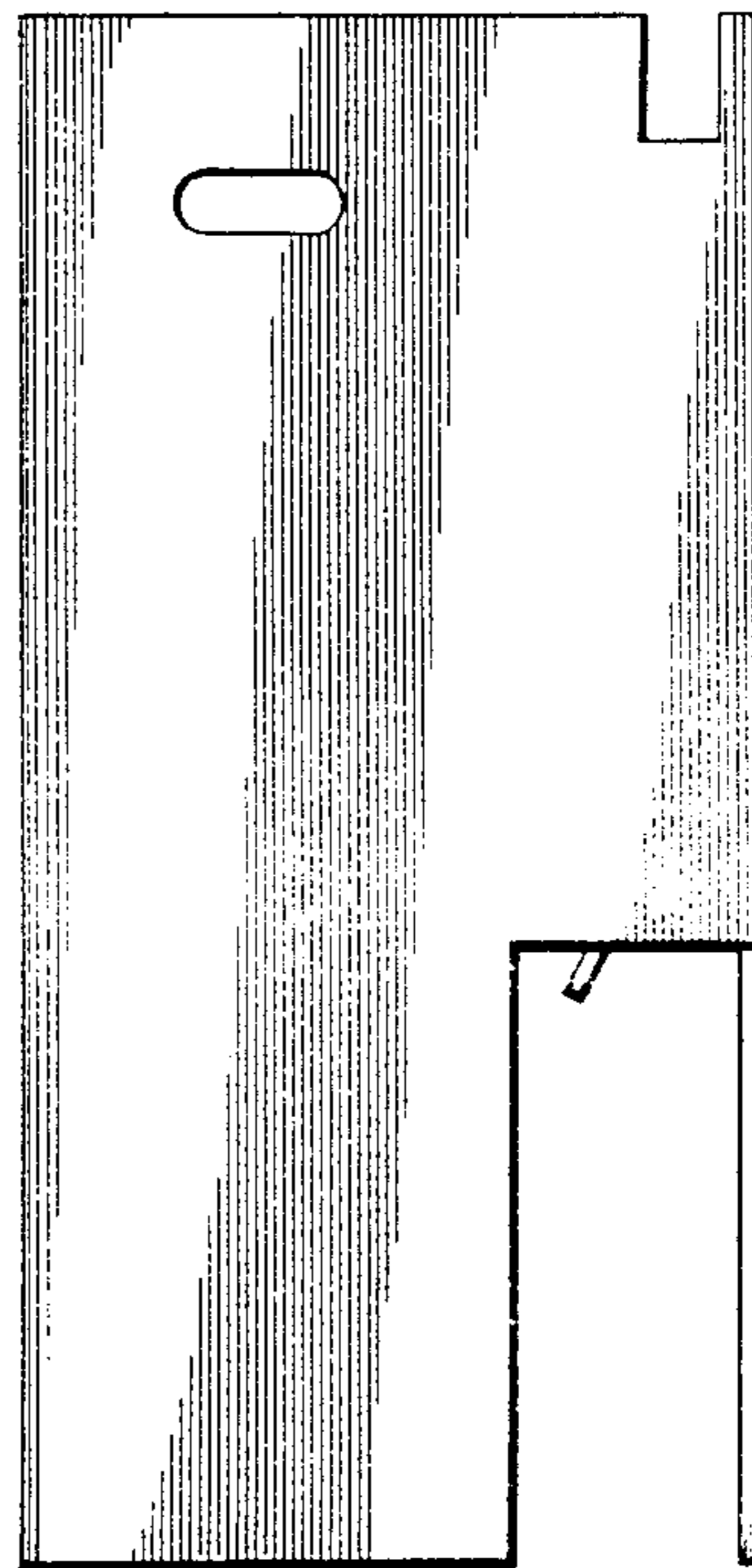


FIG 7