

[54] **EXERCISE CYCLE CONSOLE**

[75] **Inventor: Scott R. Watterson, River Heights, Utah**

[73] **Assignee: Proform Fitness Products, Inc., Logan, Utah**

[\*\*] **Term: 14 Years**

[21] **Appl. No.: 341,672**

[22] **Filed: Mar. 21, 1989**

**Related U.S. Application Data**

[62] **Division of Ser. No. 857,539, Apr. 17, 1986.**

[52] **U.S. Cl. .... D21/194**

[58] **Field of Search ..... D21/191-199; 272/132, 73, 70.3, DIG. 6**

[56] **References Cited**

**U.S. PATENT DOCUMENTS**

D. 254,679 4/1980 Gustafsson ..... D21/194  
D. 282,190 1/1986 Bell et al. .... D21/194  
D. 282,191 1/1986 Bell et al. .... D21/194

*Primary Examiner*—Charles A. Rademaker  
*Attorney, Agent, or Firm*—Trask, Britt & Rossa

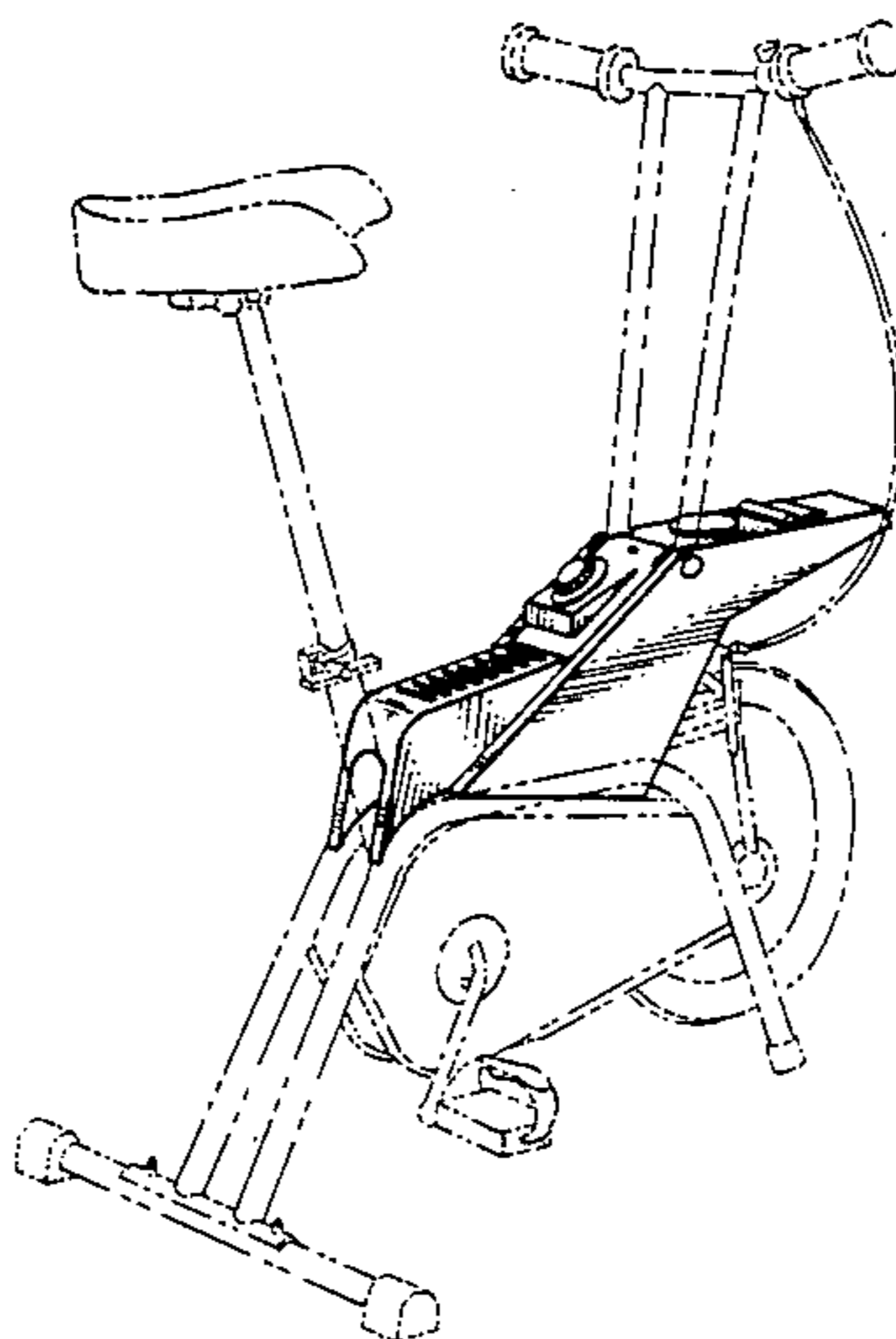
[57] **CLAIM**

The ornamental design for an exercise cycle console, as shown and described.

**DESCRIPTION**

FIG. 1 is a perspective view of an exercise cycle console showing my design thereof;  
FIG. 2 is a front elevational view thereof;  
FIG. 3 is a top plan view thereof;  
FIG. 4 is a side elevational view thereof; and  
FIG. 5 is a bottom plan view thereof.

The broken line showing of an exercise cycle in FIGS. 1, 3 and 4 is for illustrative purposes only and forms no part of the claimed design.



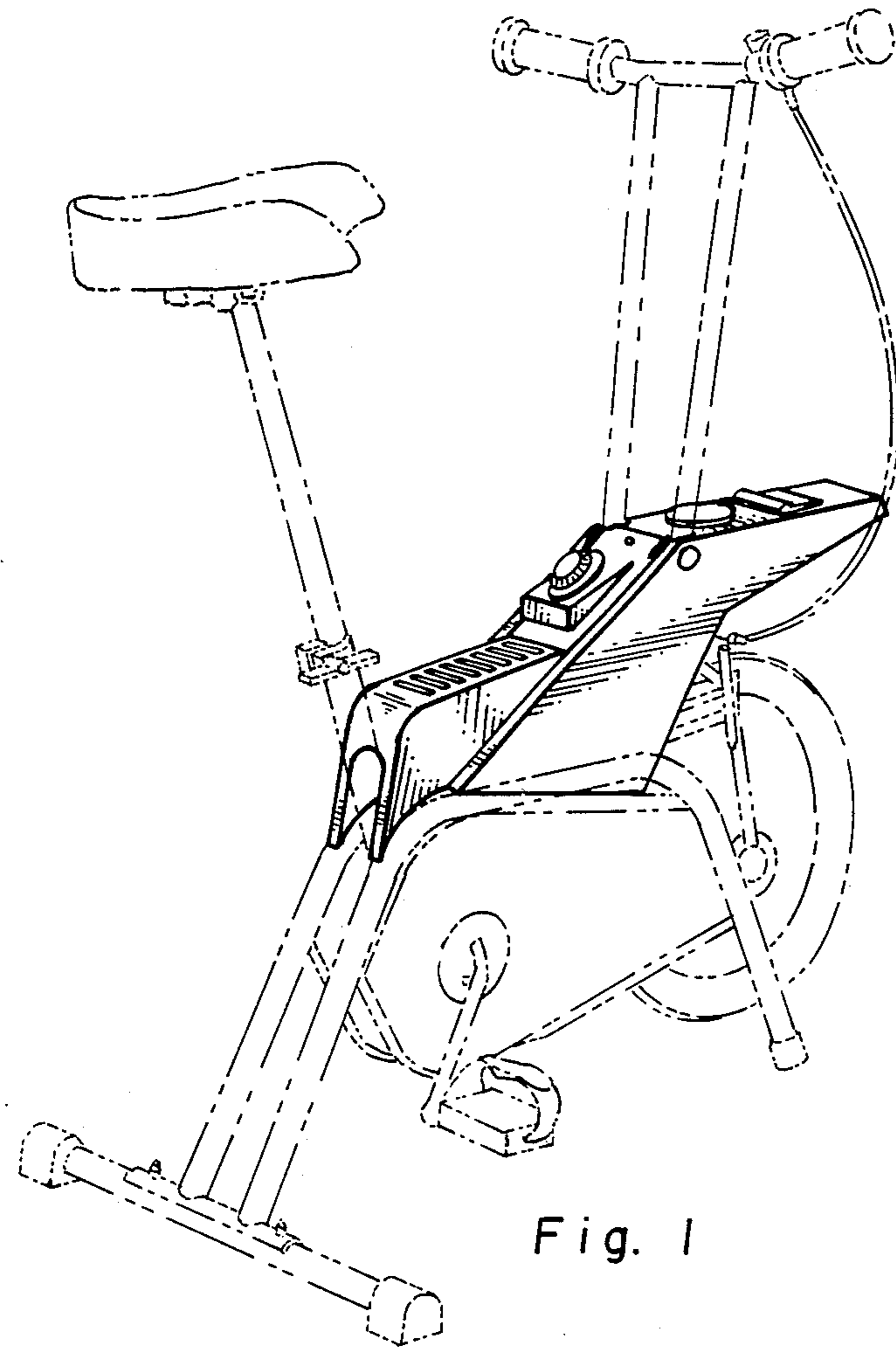


Fig. 1

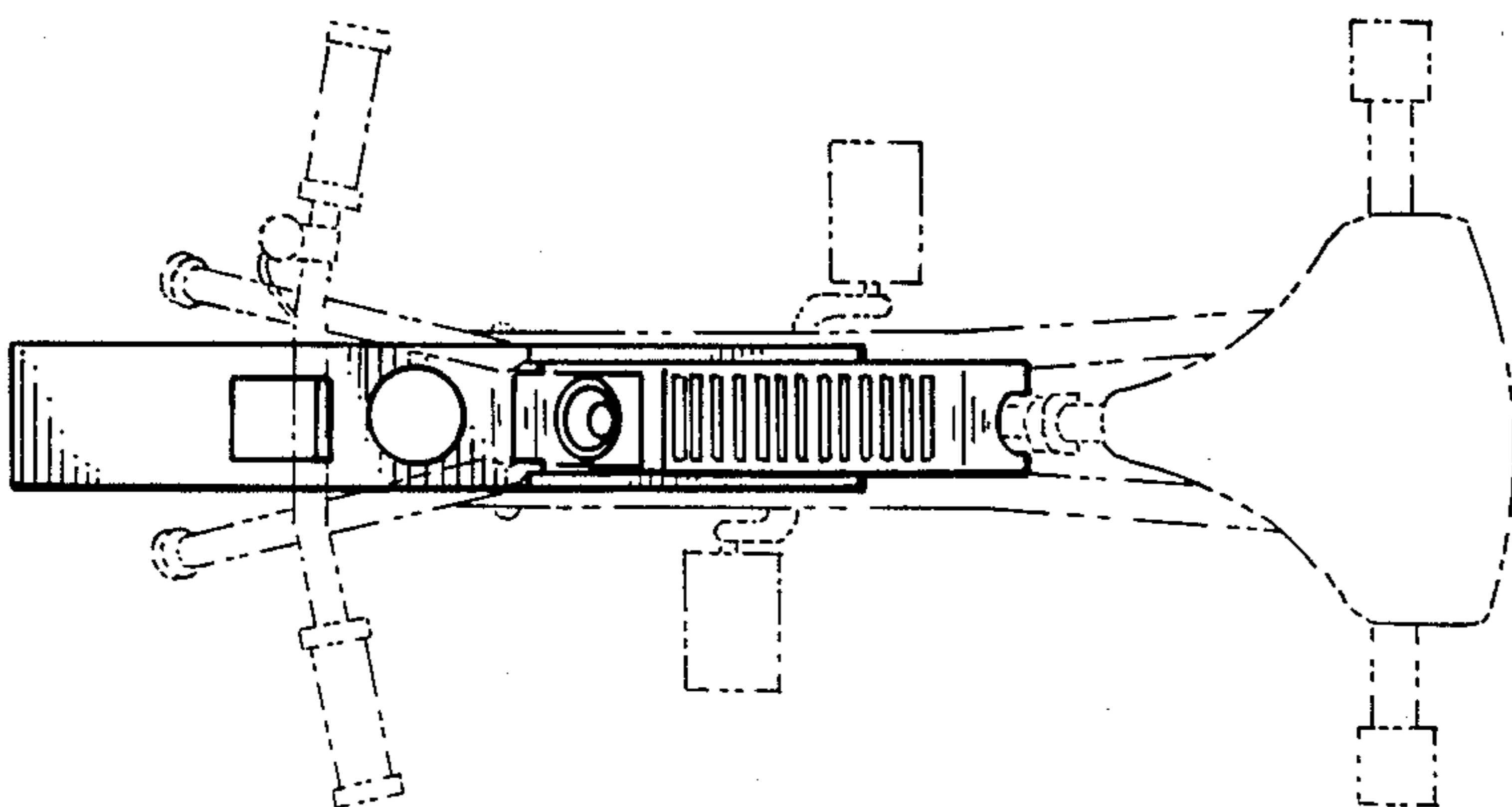


Fig. 3

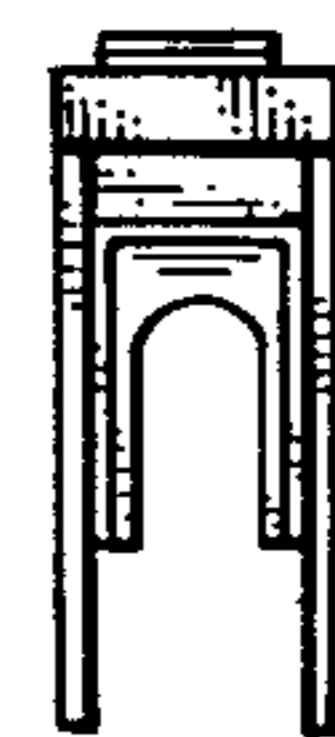


Fig. 2

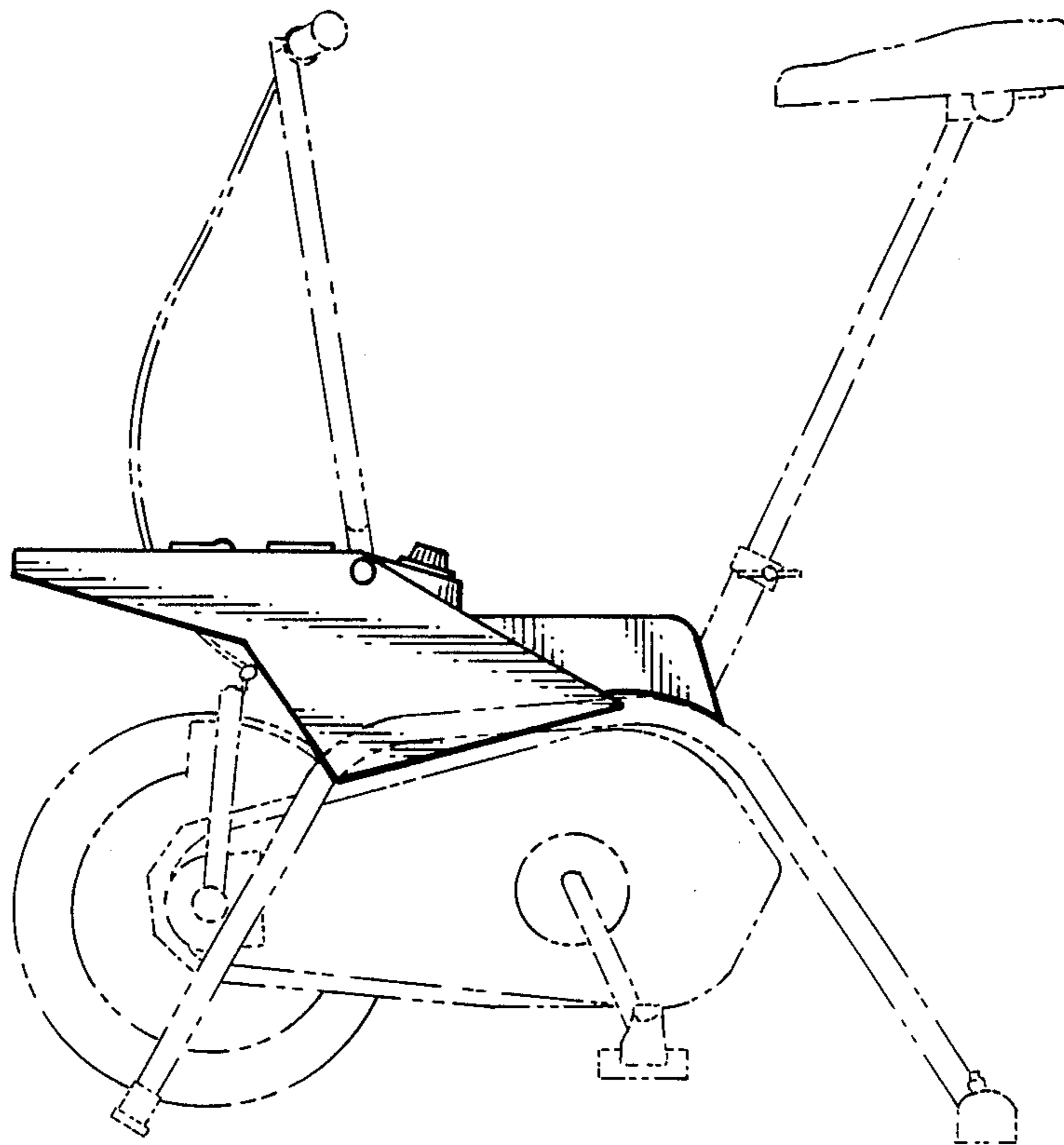


Fig. 4



Fig. 5

UNITED STATES PATENT OFFICE  
CERTIFICATE OF CORRECTION

Patent No. Des. 313,055 Dated December 18, 1990

Inventor(s) Scott R. Watterson

It is certified that error appears in the above-identified patent and that said Letters Patent is hereby corrected as shown below:

On the title page: item (22) ;  
change "Mar." to ---April---

**Signed and Sealed this  
Twelfth Day of May, 1992**

*Attest:*

DOUGLAS B. COMER

*Attesting Officer*

*Acting Commissioner of Patents and Trademarks*