

[54] **COPIER OR SIMILAR ARTICLE**

[76] **Inventor: Masanori Hashimoto, Hills Terao**
2-308, 4-24 Nishi Terao,
Kanagawa-Ku, Yokohama,
Kanagawa-Ken, Japan

[**] **Term: 14 Years**

[21] **Appl. No.: 141,907**

[22] **Filed: Jan. 11, 1988**

[30] **Foreign Application Priority Data**

Jul. 10, 1987 [JP] Japan 62-28212

[52] **U.S. Cl. D18/37; D18/36**

[58] **Field of Search D18/13, 36-40;**
D14/107, 111, 114, 118; D16/246, 247;
D10/46, 75; 355/200, 210, 233, 234; 354/89, 90,
297, 299

[56] **References Cited**

U.S. PATENT DOCUMENTS

D. 280,632 9/1985 Nakade D18/37

FOREIGN PATENT DOCUMENTS

0229904 7/1987 European Pat. Off. 355/234

OTHER PUBLICATIONS

Datapro Research Corp.; 1979, Oct.; Xerox 2300
Copier bottom right.

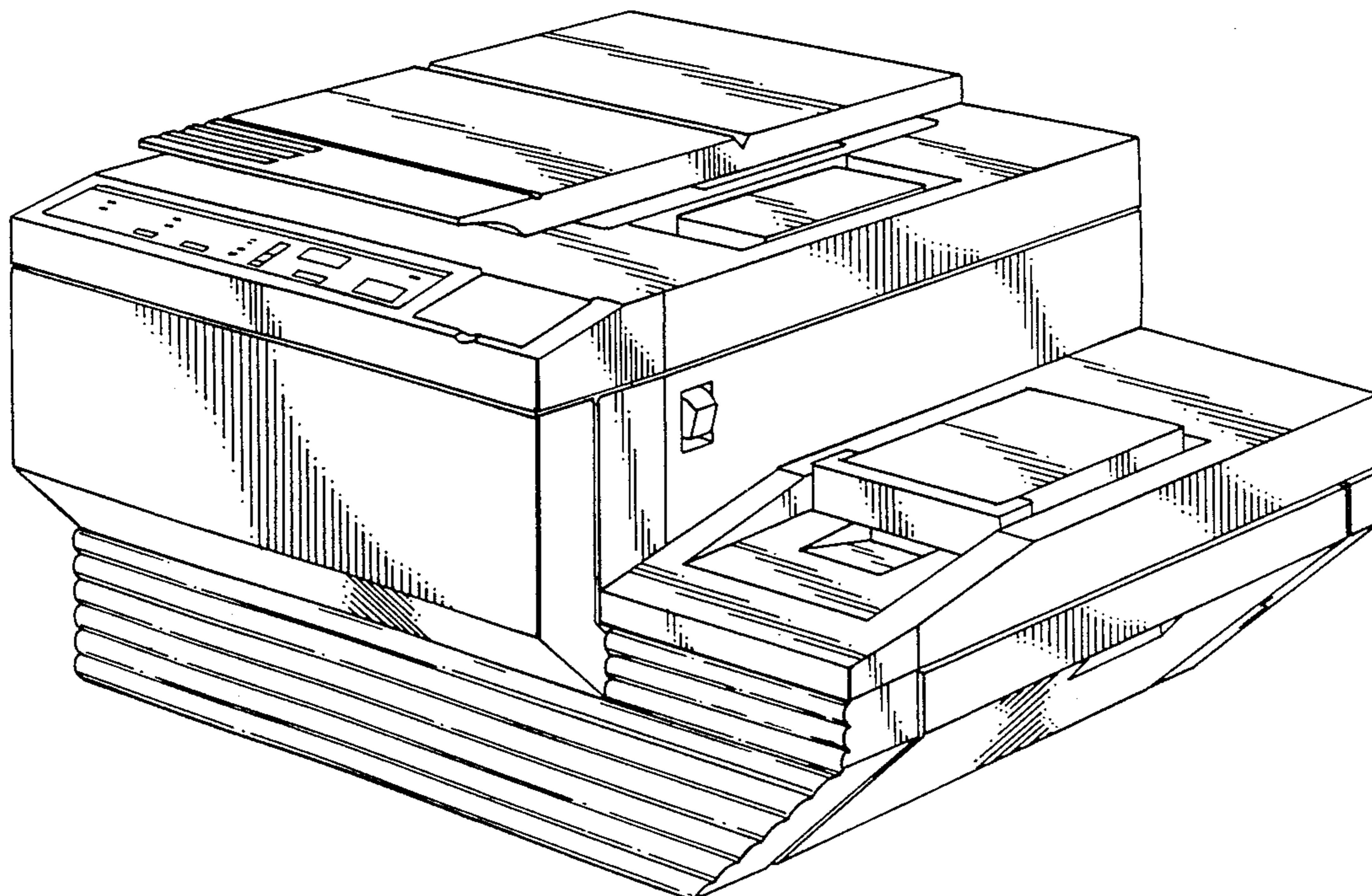
Primary Examiner—Nelson C. Holtje
Assistant Examiner—Caron D. Veynar
Attorney, Agent, or Firm—David R. Thornton; Alfred
E. Corrigan

[57] **CLAIM**

The ornamental design for a copier or similar article, as
shown.

DESCRIPTION

FIG. 1 is a front and top right perspective view of a
copier or similar article showing my new design;
FIG. 2 is a front elevational view thereof;
FIG. 3 is a rear elevational view thereof;
FIG. 4 is a left side elevational view thereof;
FIG. 5 is a right side elevational view thereof;
FIG. 6 is a top plan view thereof; and
FIG. 7 is a bottom plan view thereof.



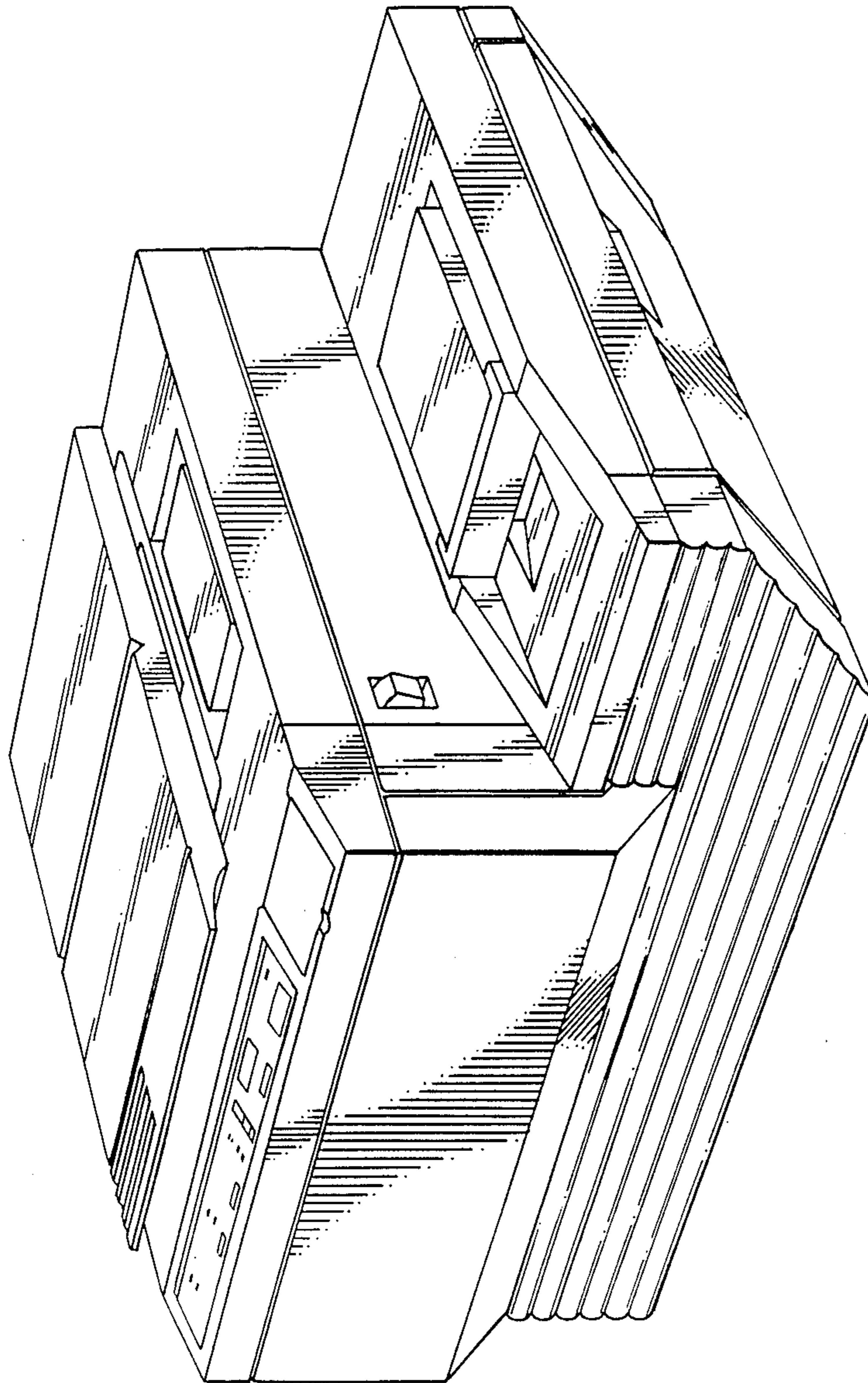


FIG 1

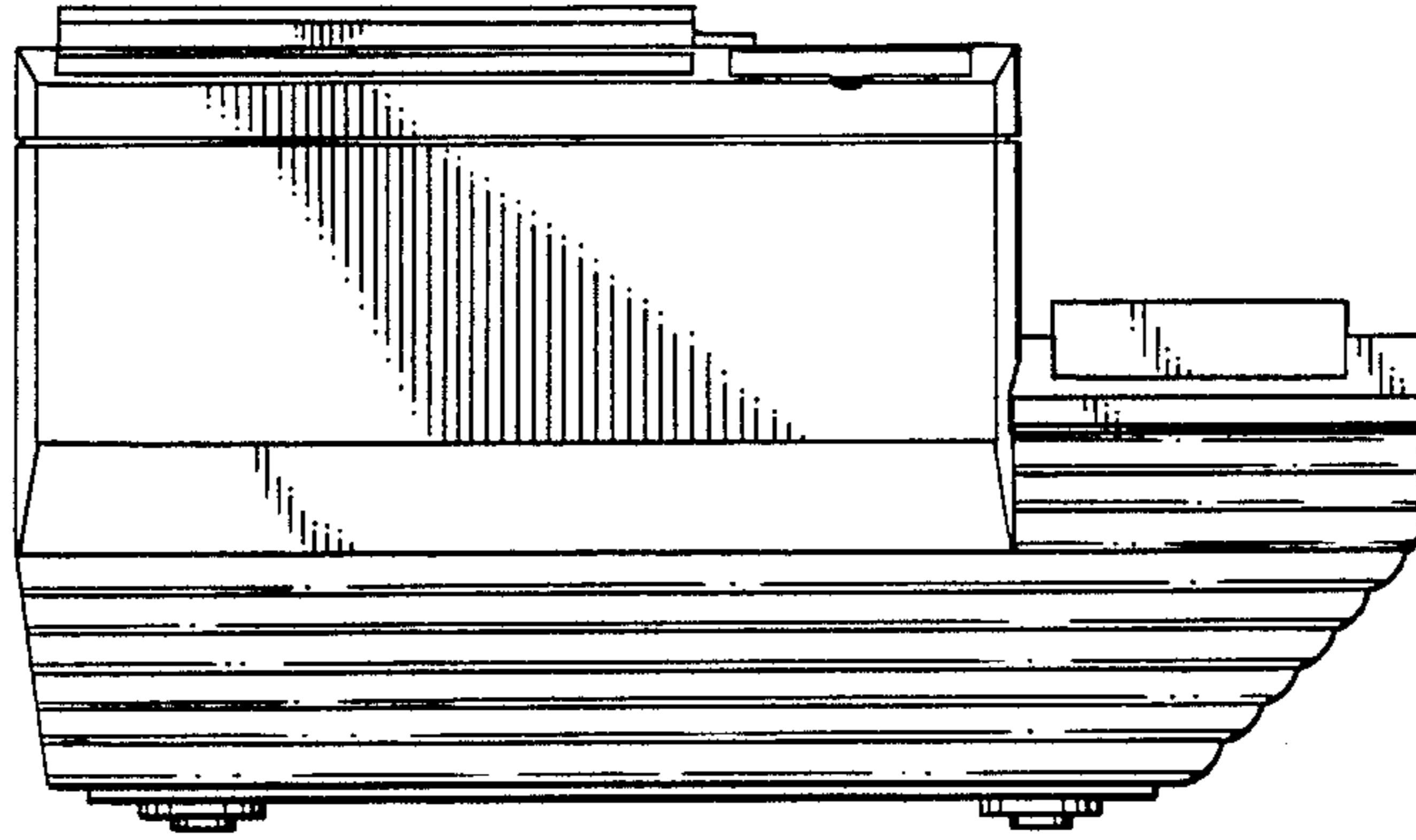


FIG 2

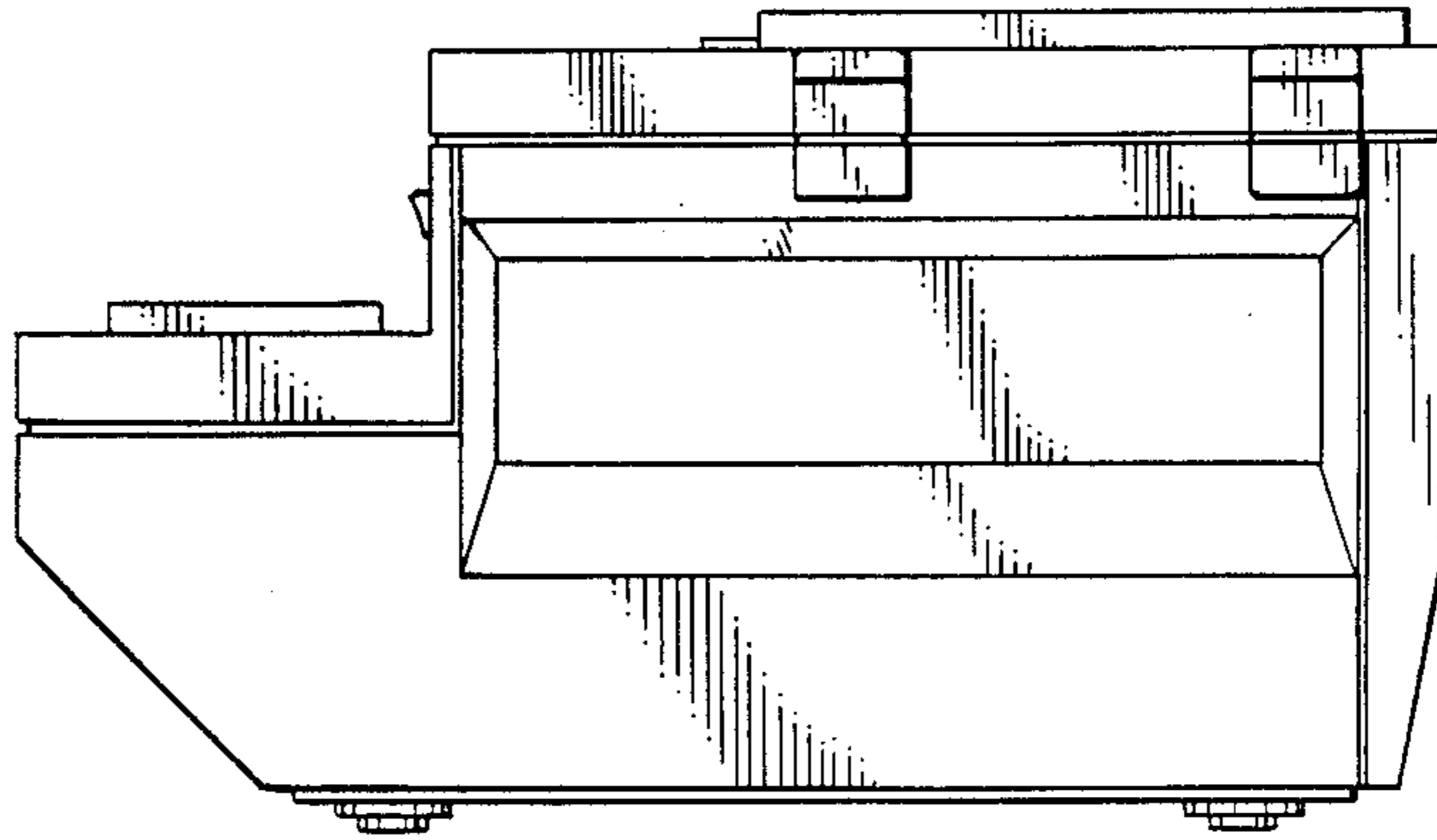


FIG 3

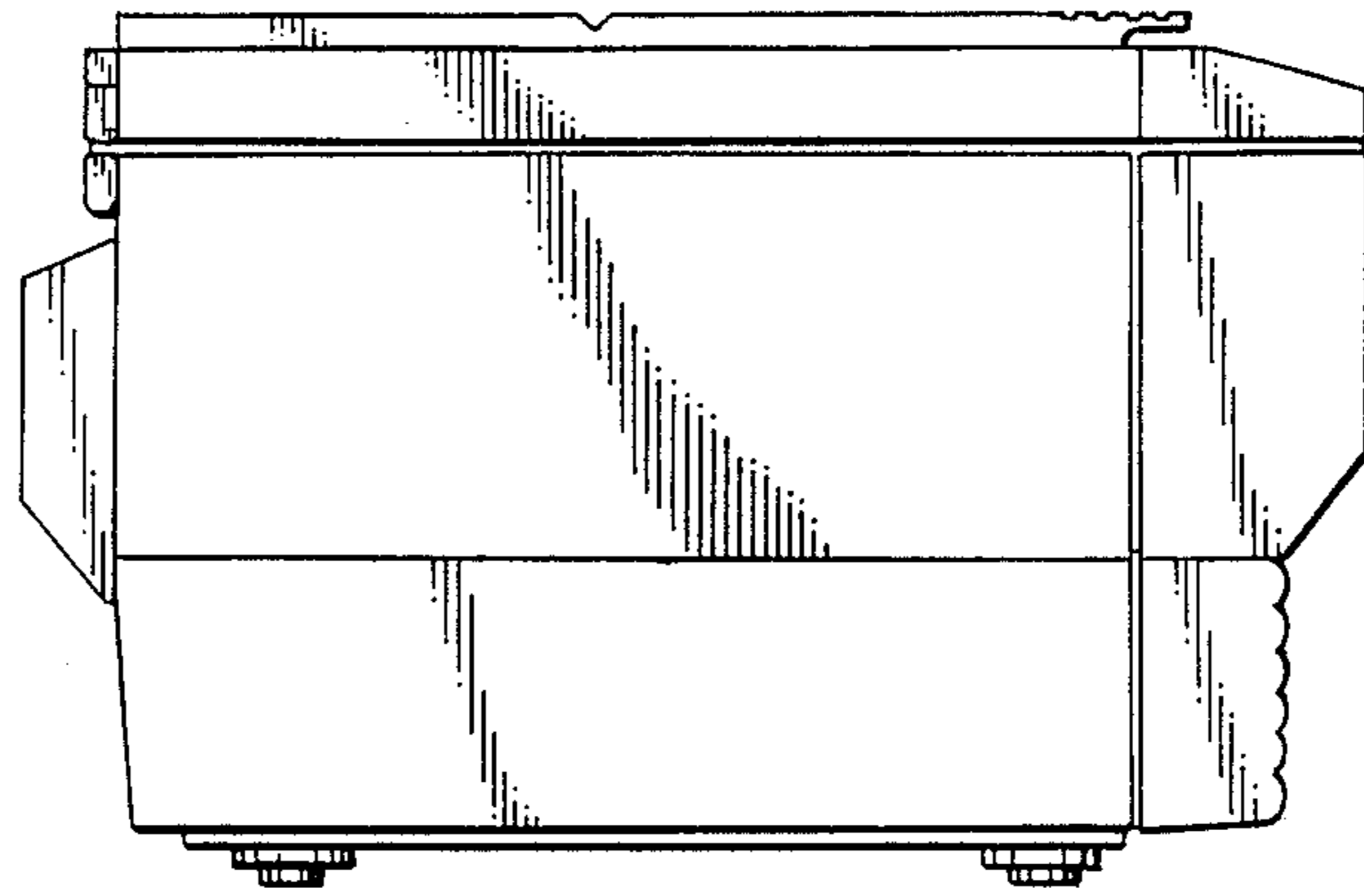


FIG 4

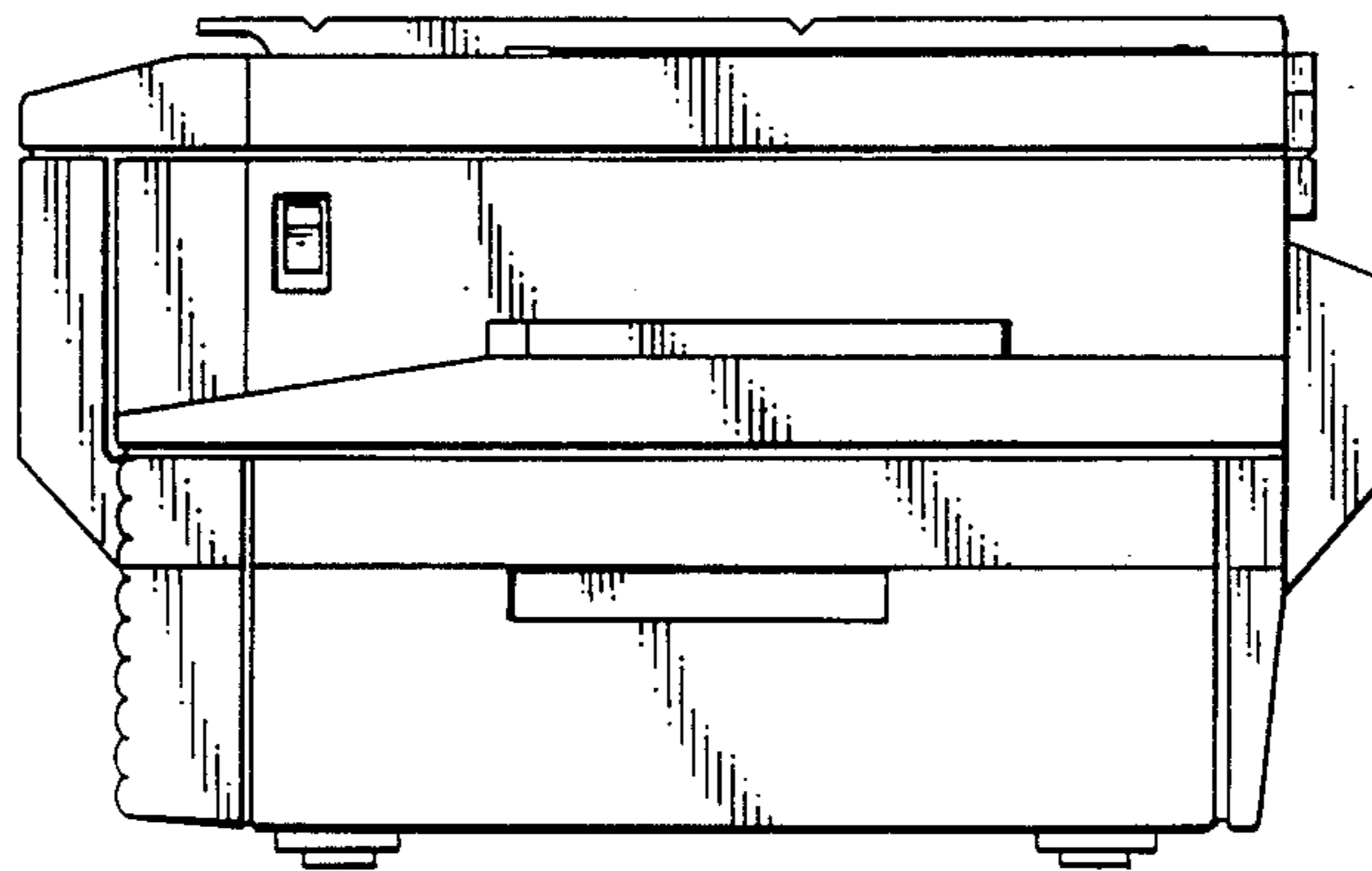


FIG 5

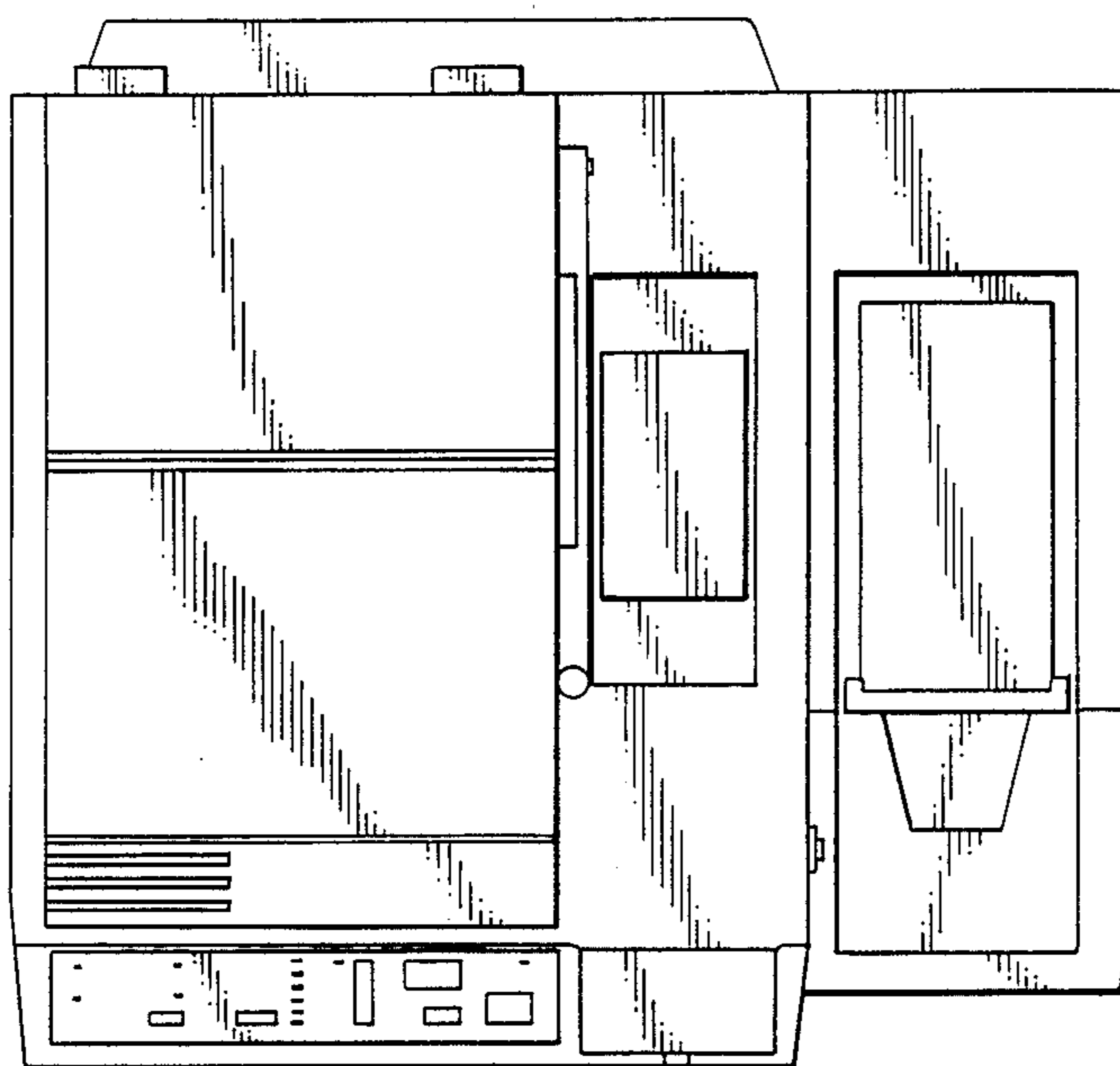


FIG 6

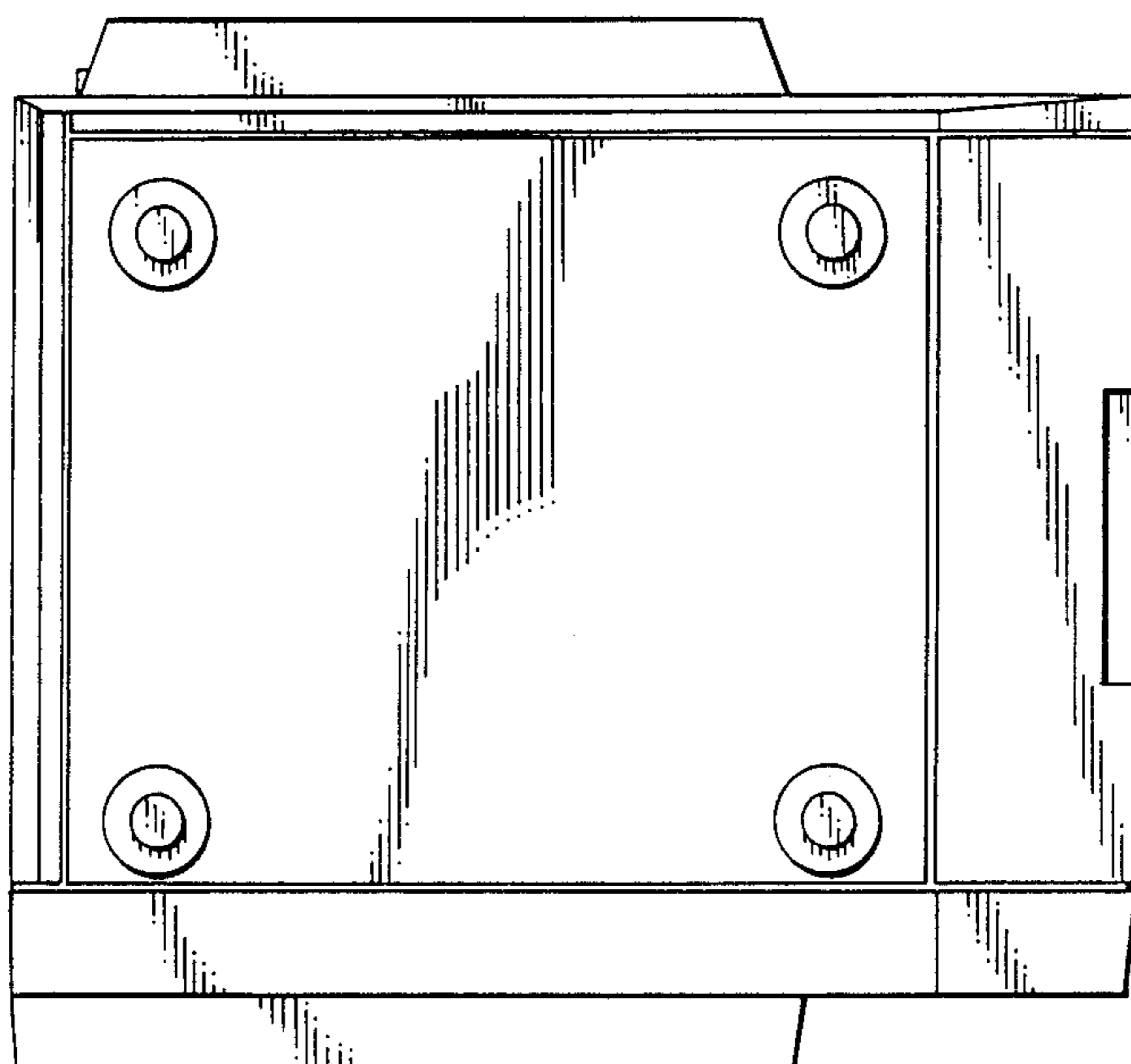


FIG 7