

[54] PORTABLE COPYING MACHINE

[75] Inventors: Mikio Kosako; Yoichio Tatsuta, both of Osaka, Japan

[73] Assignee: Sharp Corporation, Osaka, Japan

[**] Term: 14 Years

[21] Appl. No.: 211,843

[22] Filed: Jun. 27, 1988

[30] Foreign Application Priority Data

Dec. 28, 1987 [JP] Japan 62-53496

[52] U.S. Cl. D18/36

[58] Field of Search D18/13, 36-40; D14/111, 114; 355/200, 210, 233, 234

[56] References Cited

U.S. PATENT DOCUMENTS

- D. 295,528 5/1988 Masaki et al. D18/37
- D. 295,529 5/1988 Masaki et al. D18/37
- D. 295,530 5/1988 Masaki et al. D18/37

D. 304,204 10/1989 Wada et al. D18/37

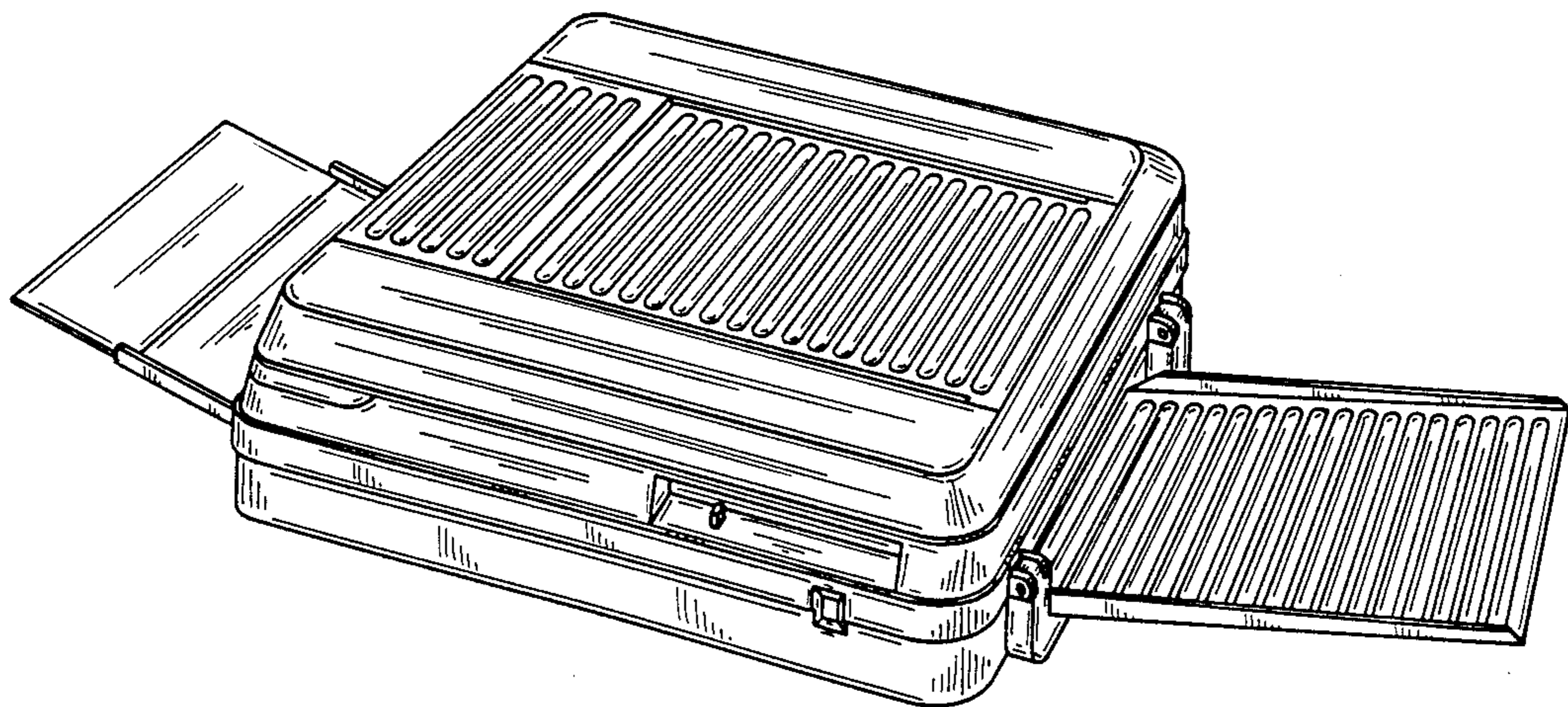
Primary Examiner—Nelson C. Holtje
Assistant Examiner—Caron D. Veynar
Attorney, Agent, or Firm—Flehr, Hohbach, Test, Albritton & Herbert

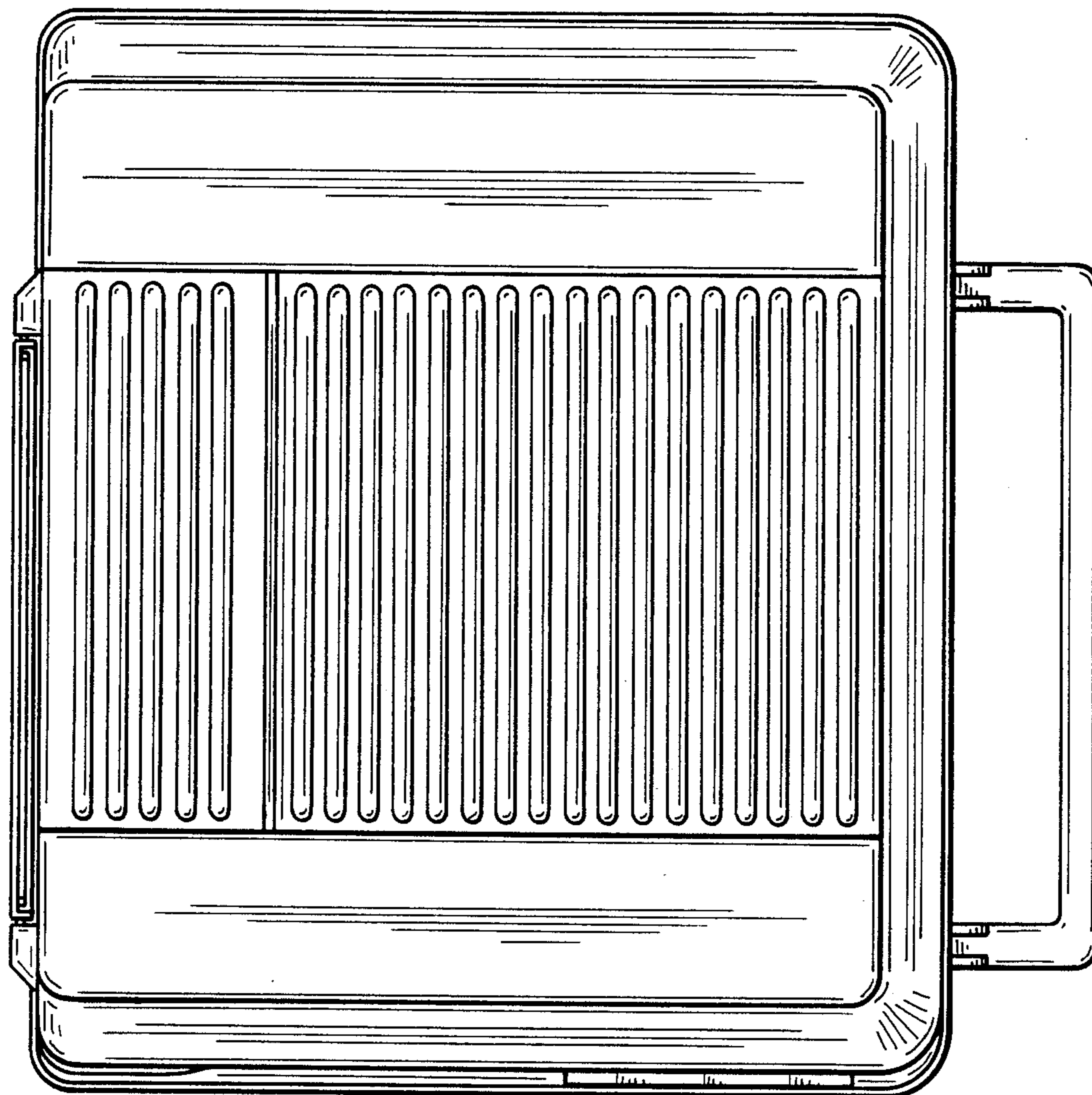
[57] CLAIM

The ornamental design for a portable copying machine, as shown and described.

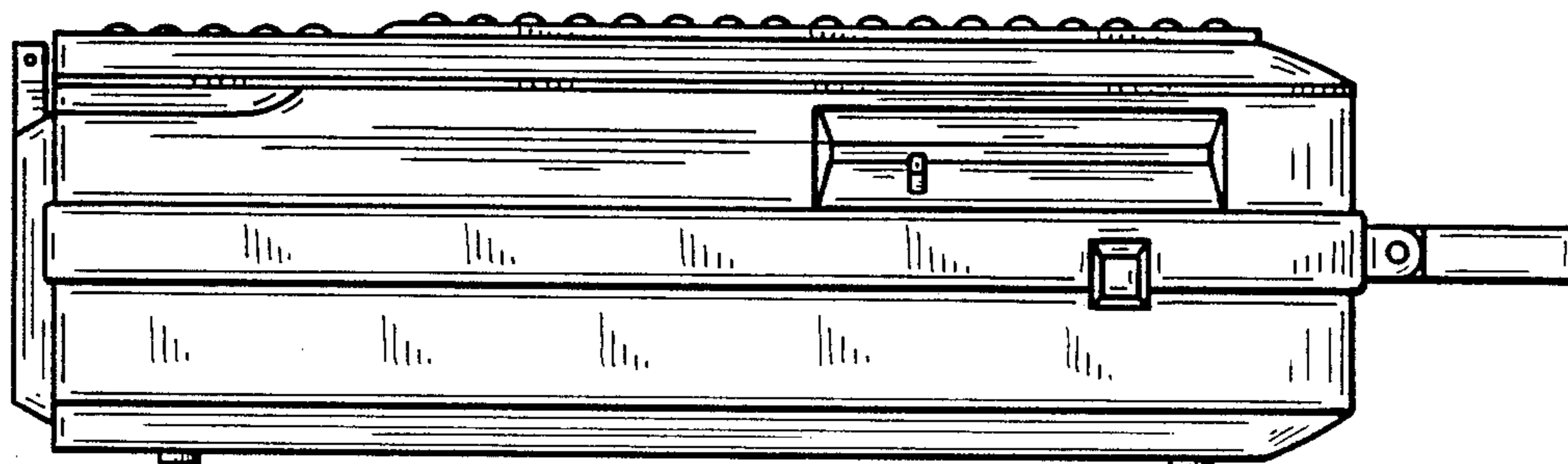
DESCRIPTION

FIG. 1 is a top plan view of the portable copying machine showing our new design;
FIG. 2 is a bottom plan view thereof;
FIG. 3 is a front elevational view thereof;
FIG. 4 is a rear elevational view thereof;
FIG. 5 is a right side elevational view thereof;
FIG. 6 is a left side elevational view thereof;
FIG. 7 is a top and right, front perspective view thereof, with the trays in position;
FIG. 8 is a right side elevational view of FIG. 7; and
FIG. 9 is a left side elevational view of FIG. 7.

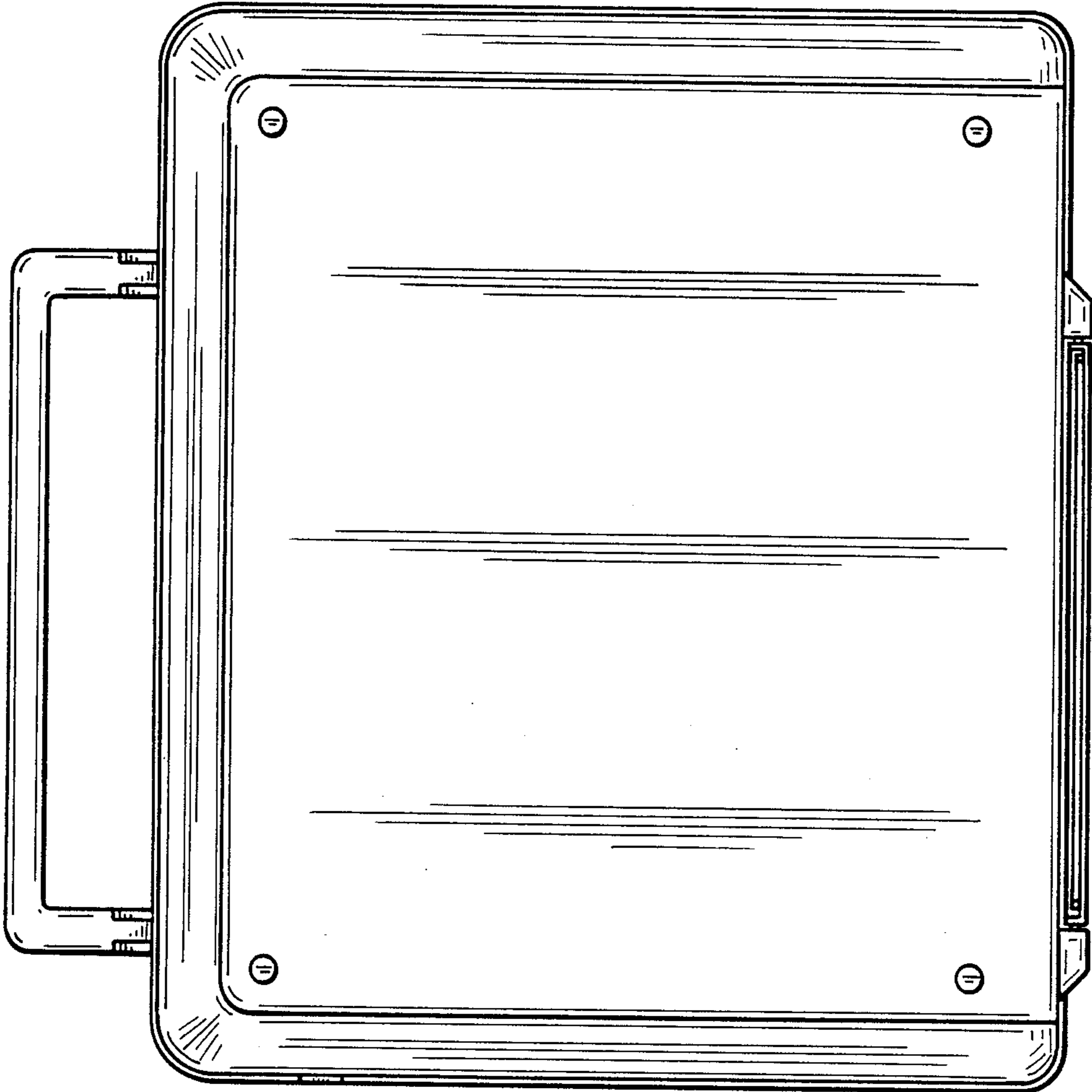




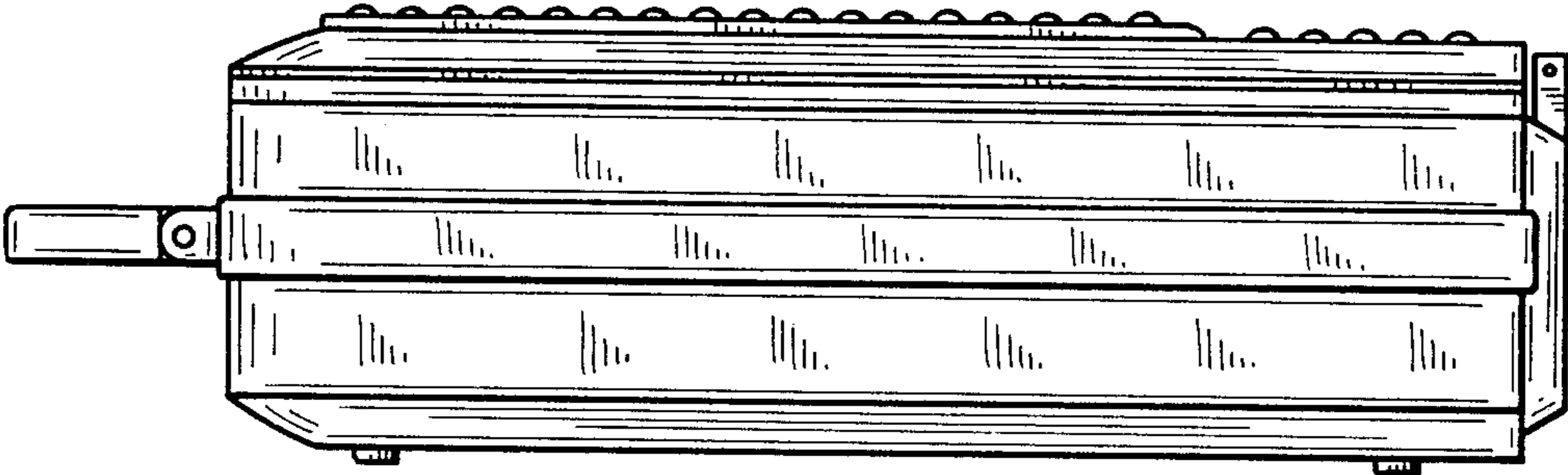
FIG_1



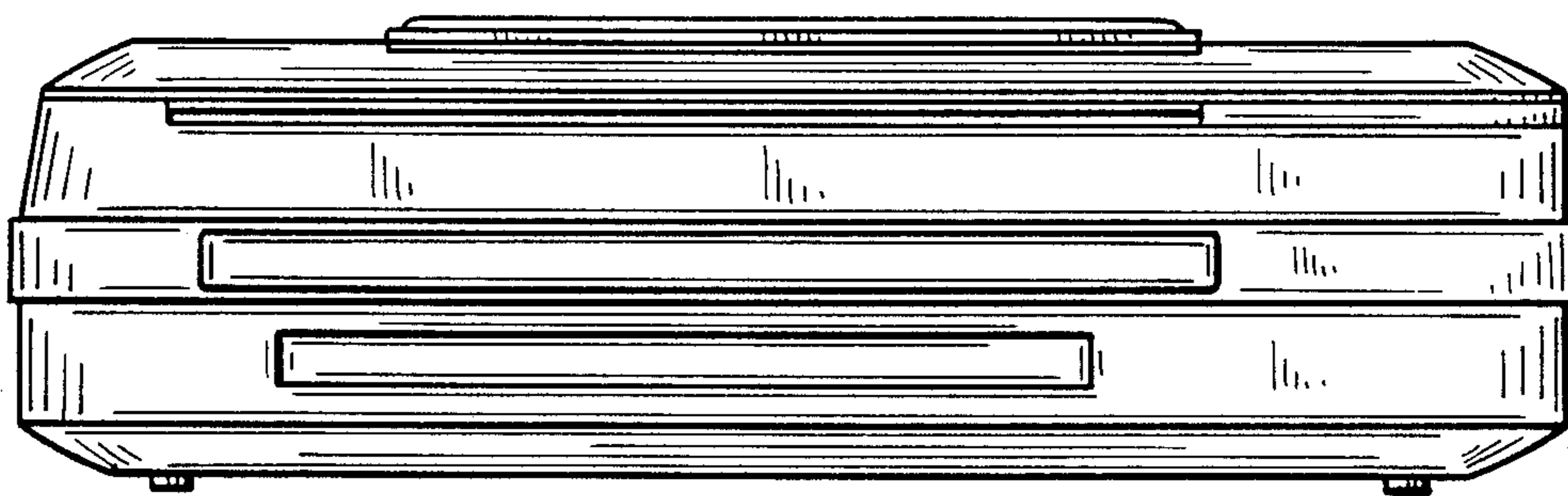
FIG_3



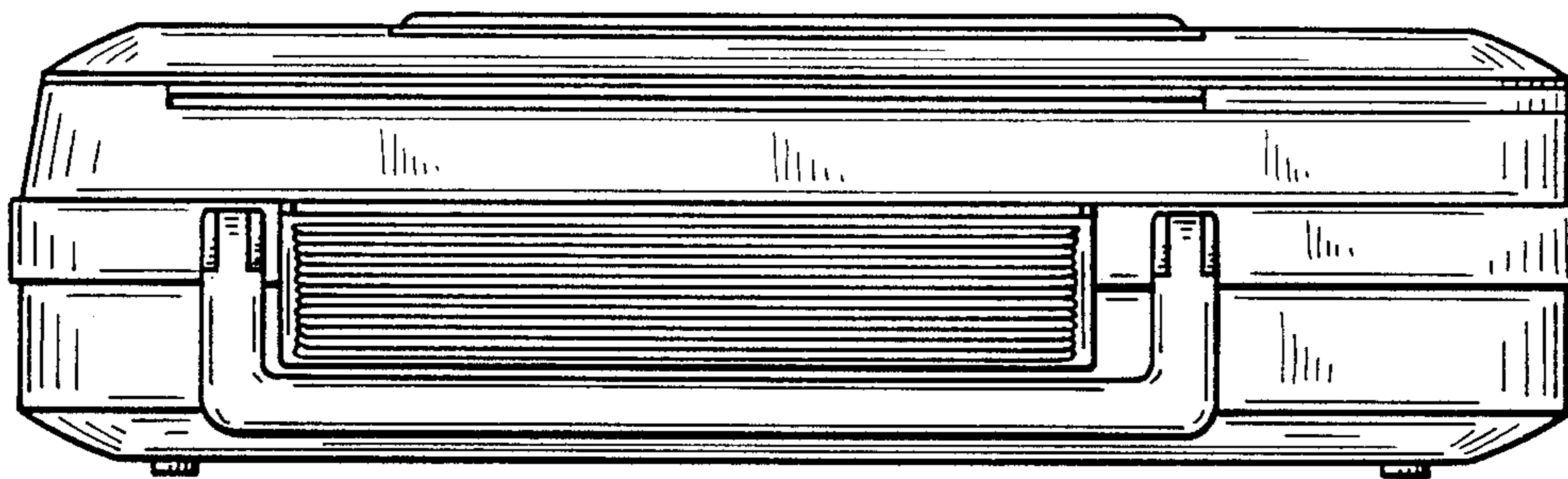
FIG_2



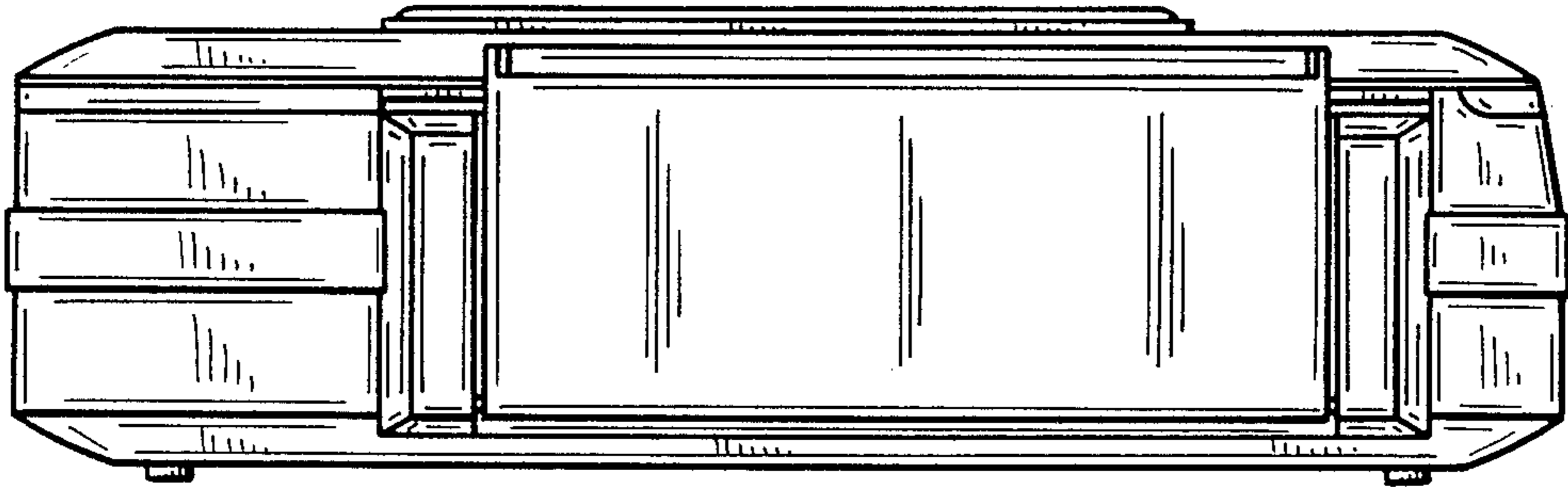
FIG_4



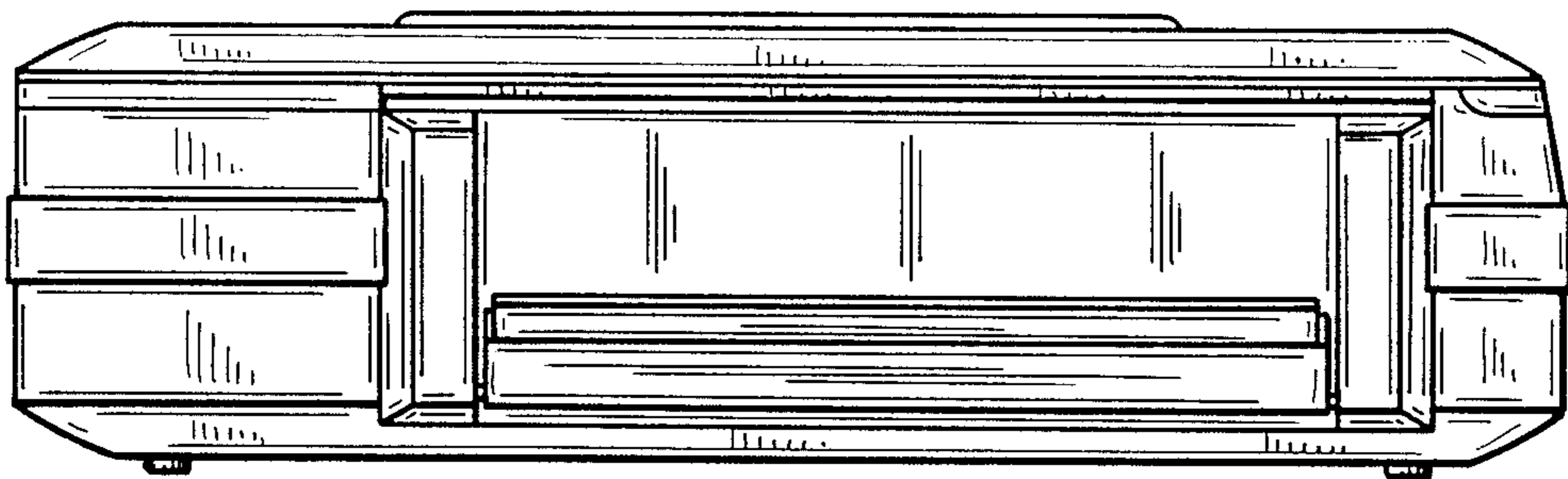
FIG_5



FIG_8



FIG_6



FIG_9

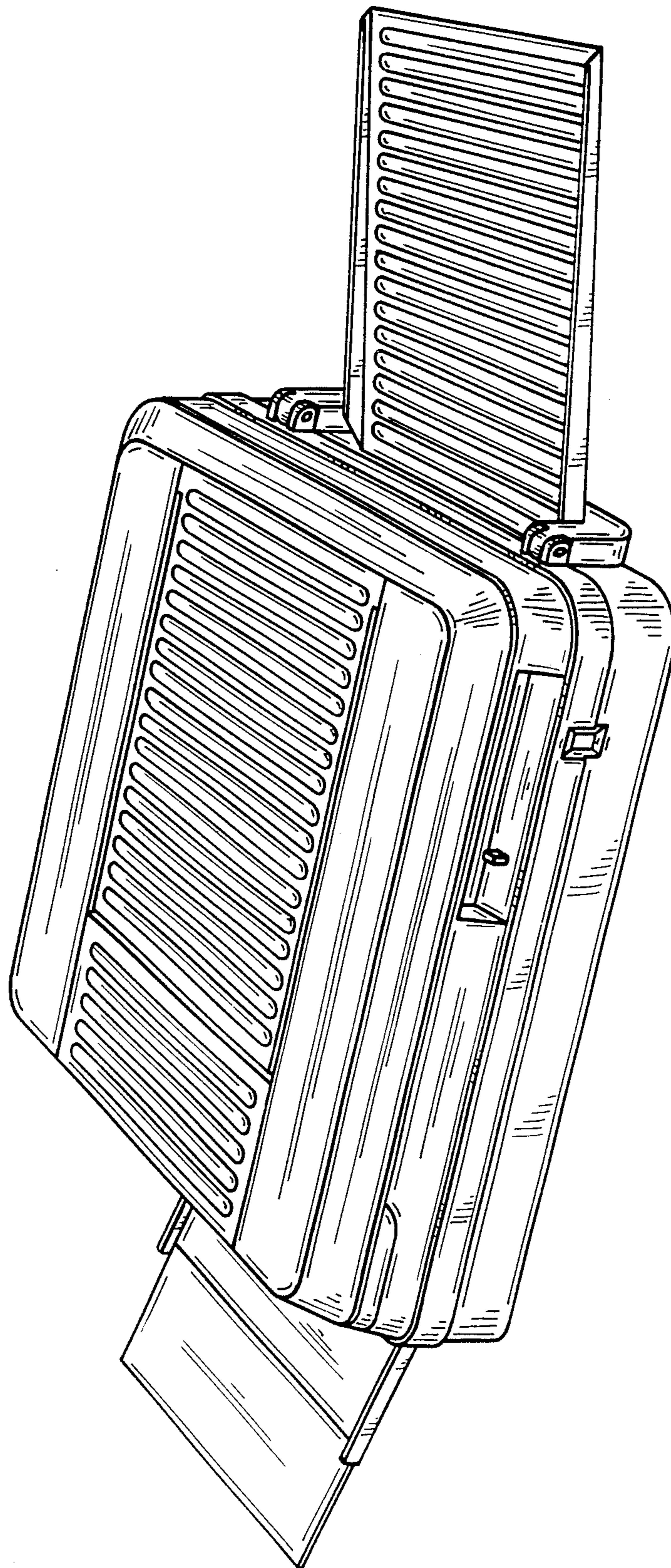


FIG-7