

[54] CAMERA MOUNT

[76] Inventor: Jeffrey D. Morton, P.O. Box 61, Castaic, Calif. 91310

[\*\*] Term: 14 Years

[21] Appl. No.: 128,472

[22] Filed: Dec. 2, 1987

[52] U.S. Cl. .... D16/242

[58] Field of Search ..... D16/237, 242, 245; D14/238; D24/4; 224/265, 270, 908; 248/177, 178, 179, 180, 187, 122; 354/81, 82, 292, 293

[56] References Cited

U.S. PATENT DOCUMENTS

|            |         |               |       |         |
|------------|---------|---------------|-------|---------|
| D. 277,578 | 2/1985  | Nichols       | ..... | D14/238 |
| D. 278,273 | 4/1985  | Mitchell, Sr. | ..... | D24/4   |
| 2,624,252  | 1/1953  | Judd          | ..... | 248/122 |
| 4,233,647  | 11/1980 | Andersen      | ..... | 354/293 |
| 4,621,786  | 11/1986 | Greenlee      | ..... | 248/179 |
| 4,752,794  | 6/1988  | Bohannon      | ..... | 354/81  |

OTHER PUBLICATIONS

Hammacher Schlemmer & Co. Catalog, 1914, p. 770.

Primary Examiner—Bernard Ansher

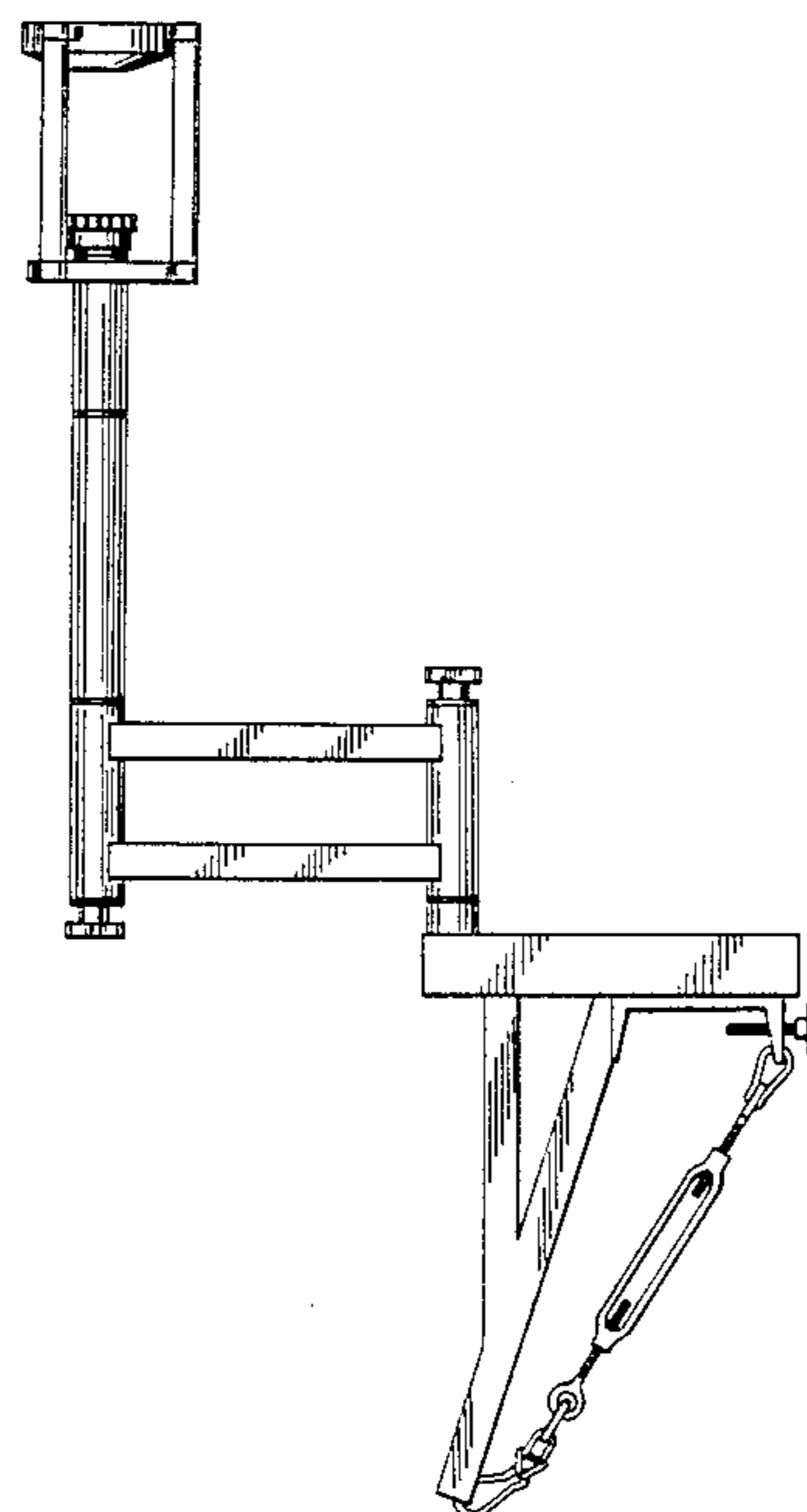
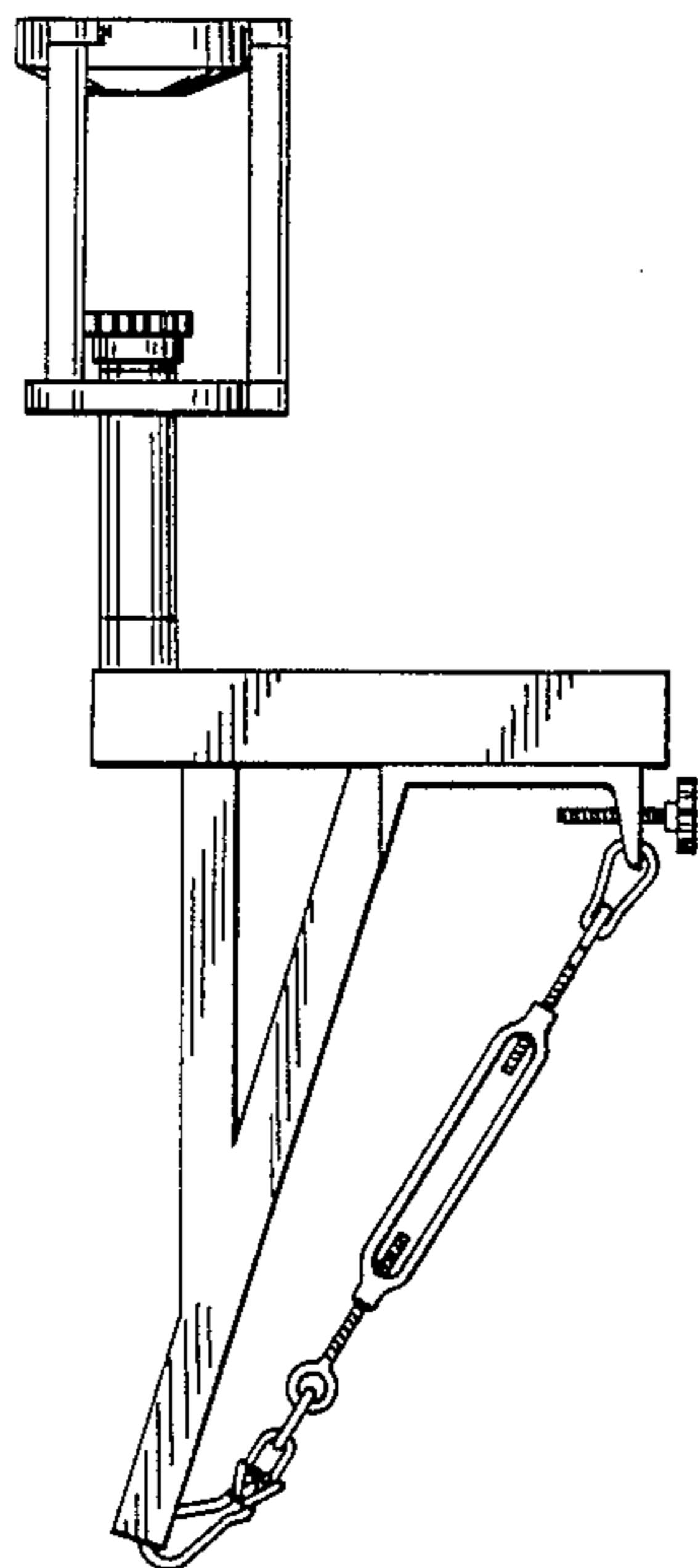
Assistant Examiner—Adir Aronovich

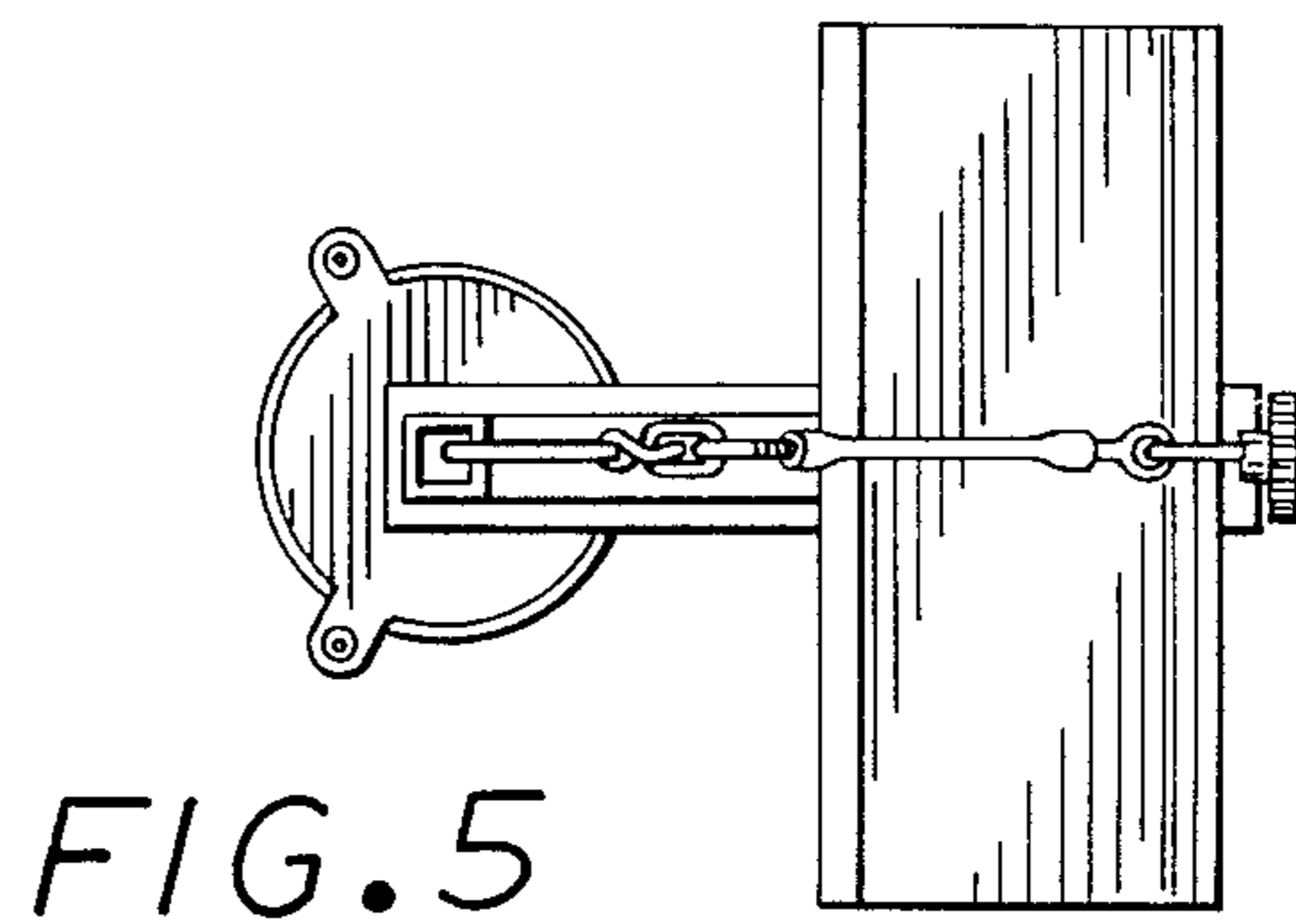
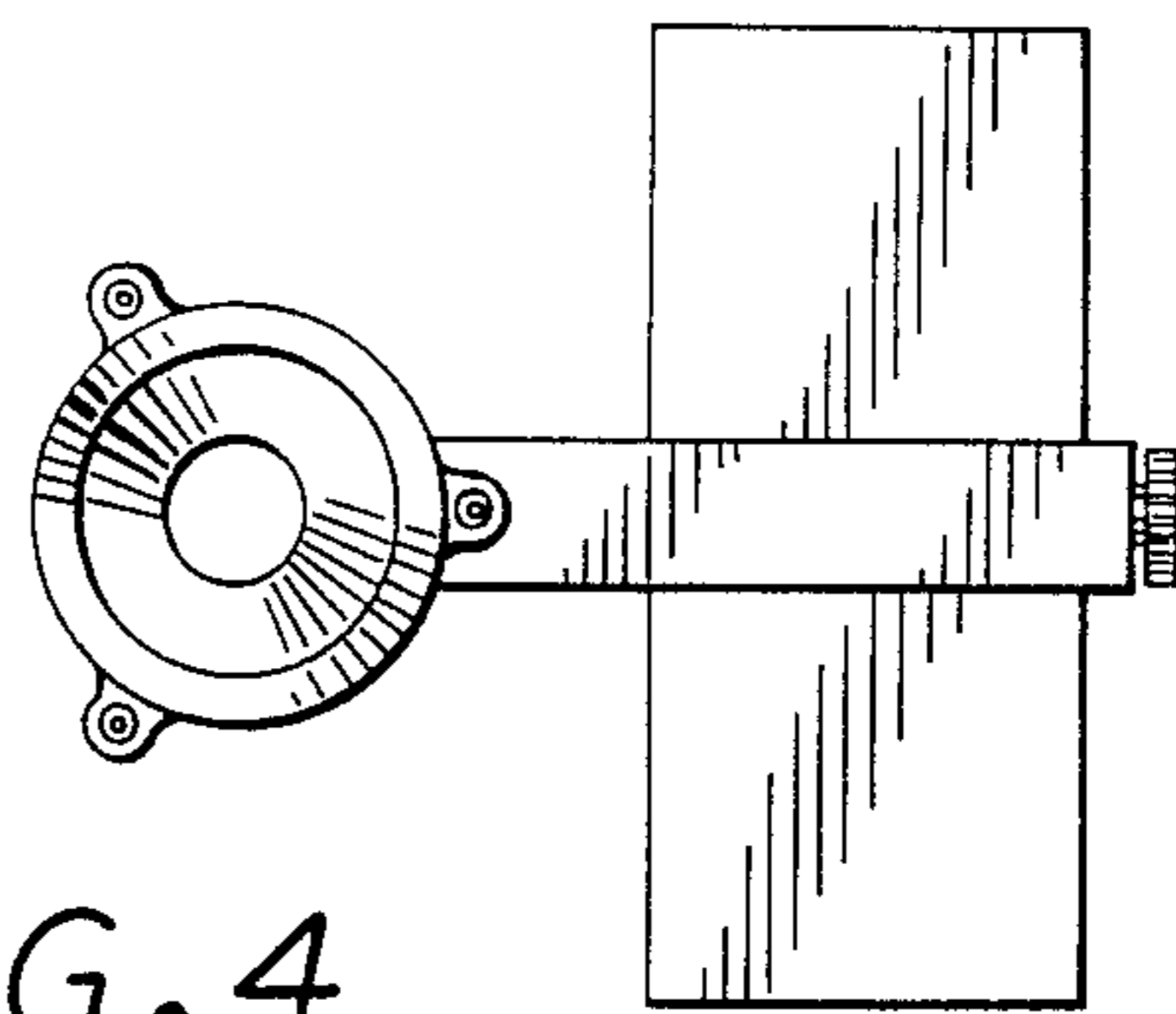
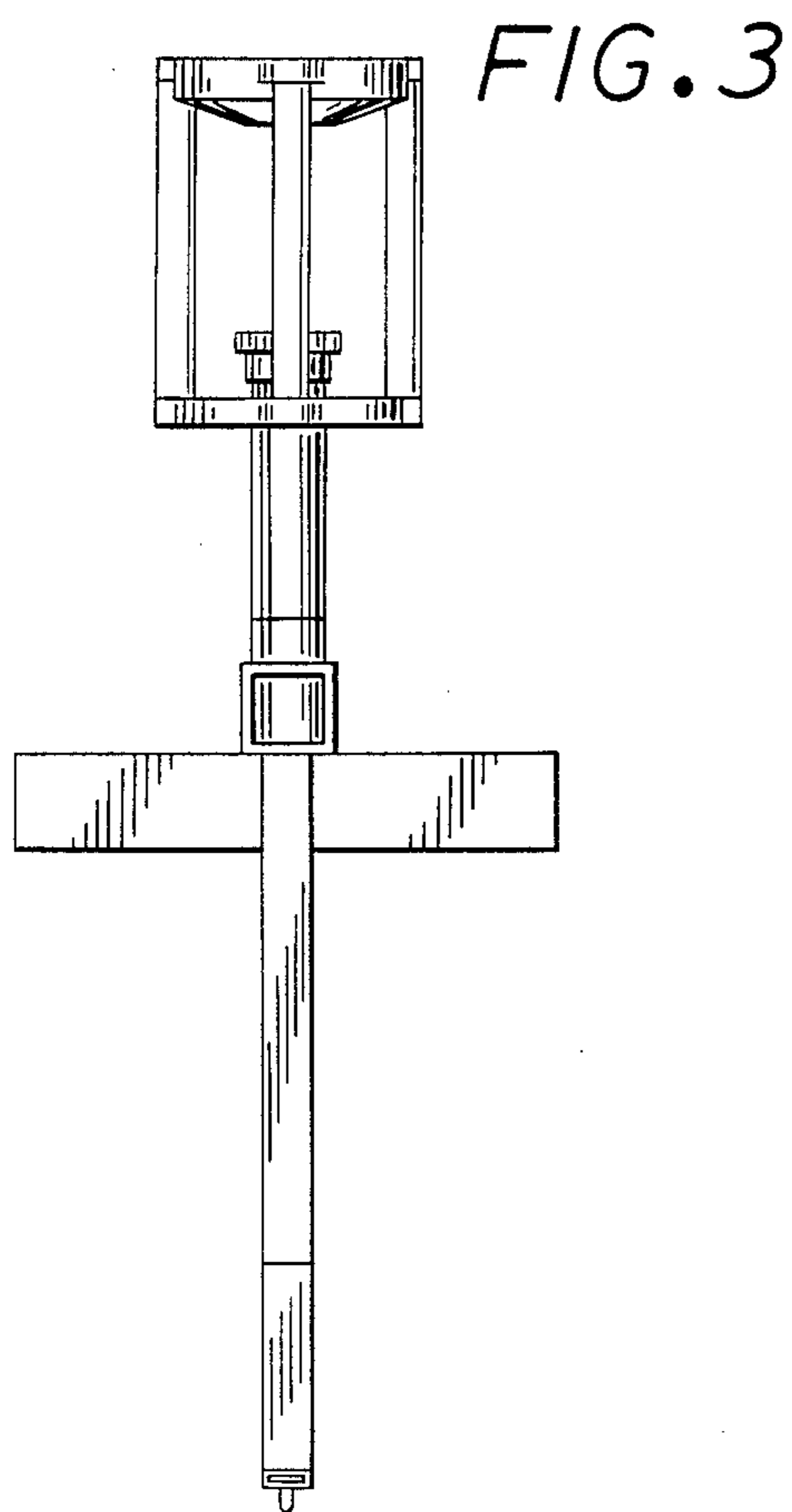
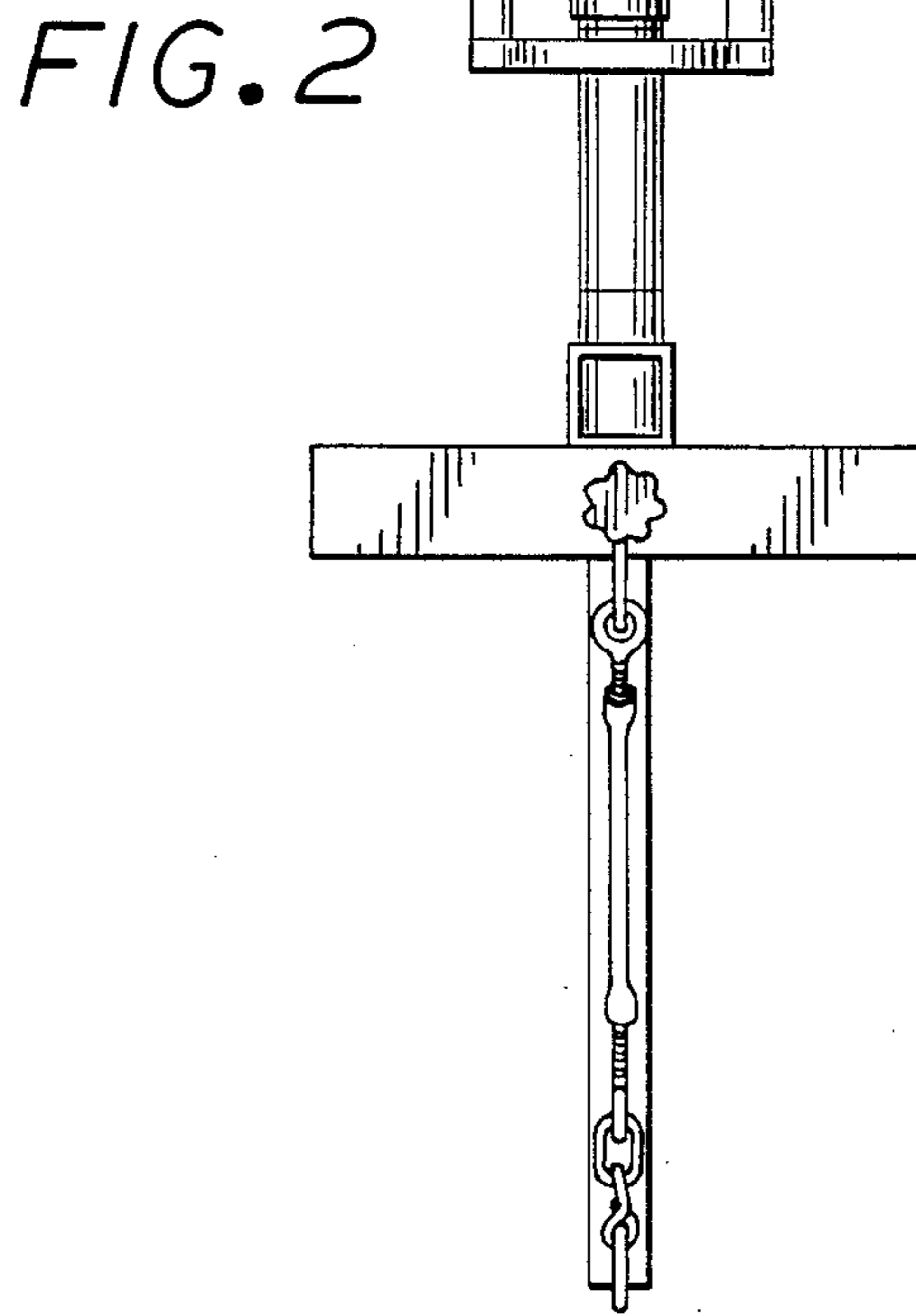
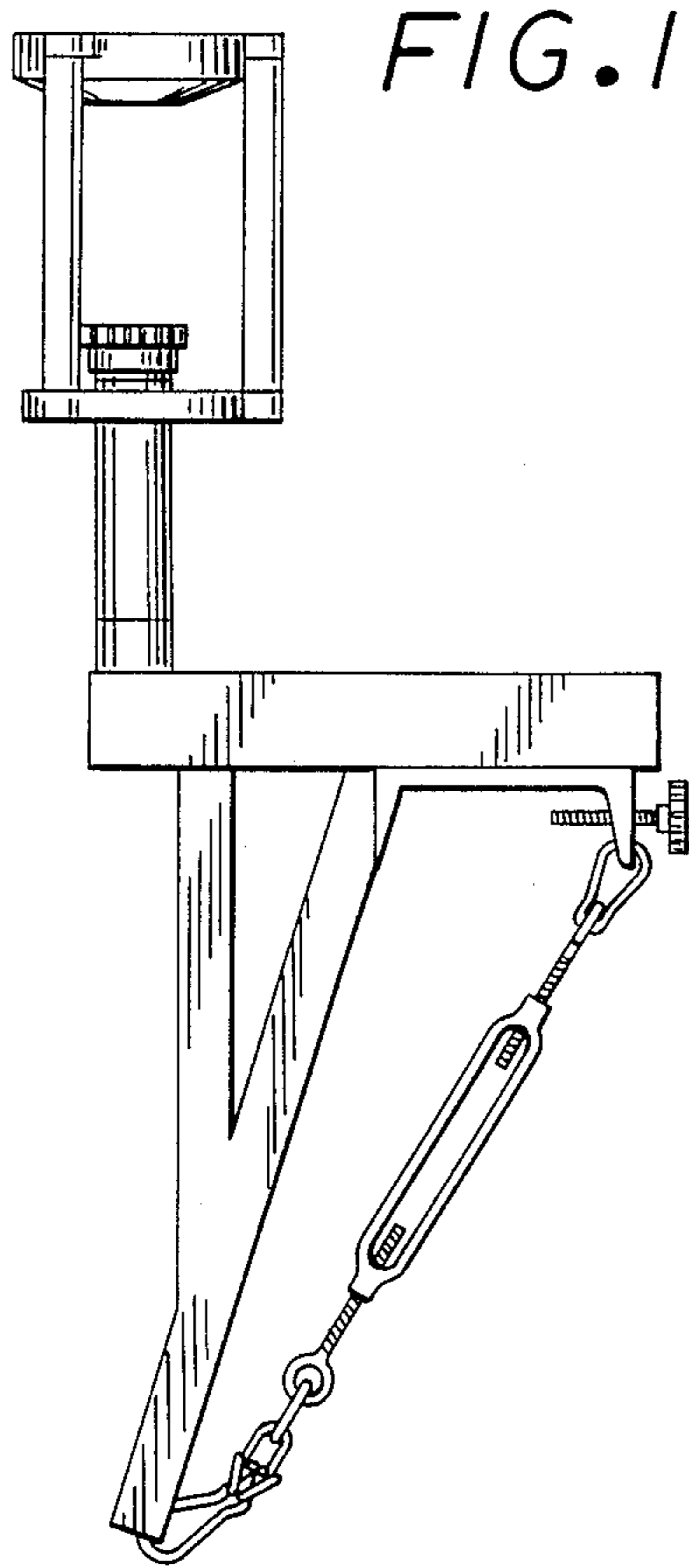
[57] CLAIM

The ornamental design for a camera mount, as shown and described.

DESCRIPTION

FIG. 1 is a side elevational view of a camera mount showing my new design;  
 FIG. 2 is a rear elevational view thereof;  
 FIG. 3 is a front elevational view thereof;  
 FIG. 4 is a top plan view thereof;  
 FIG. 5 is a bottom plan view thereof;  
 FIG. 6 is a side elevational view of a second modified embodiment of the camera mount illustrated in FIG. 1;  
 FIG. 7 is a front elevational view thereof; and  
 FIG. 8 is a top plan view thereof.





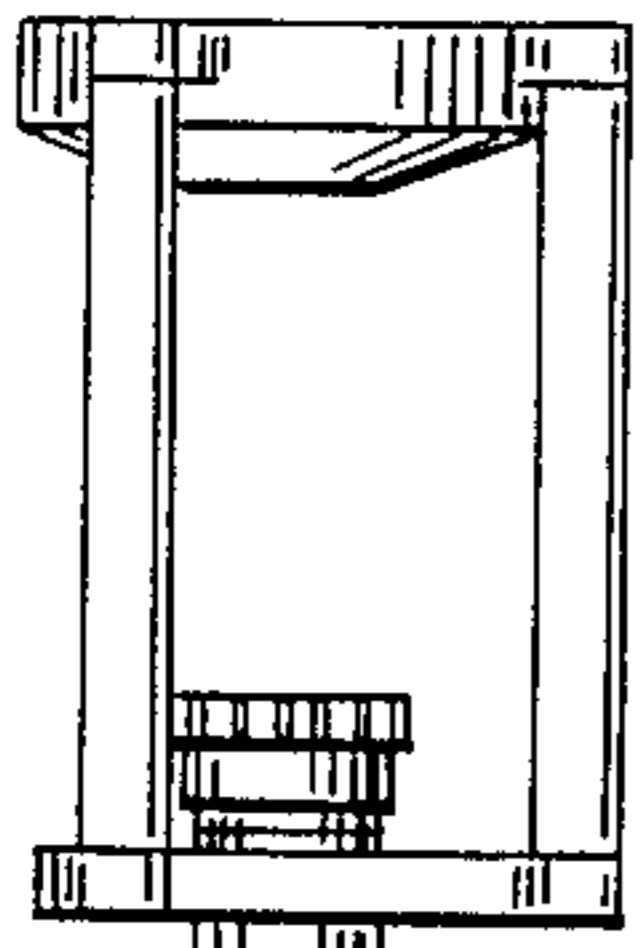


FIG. 6

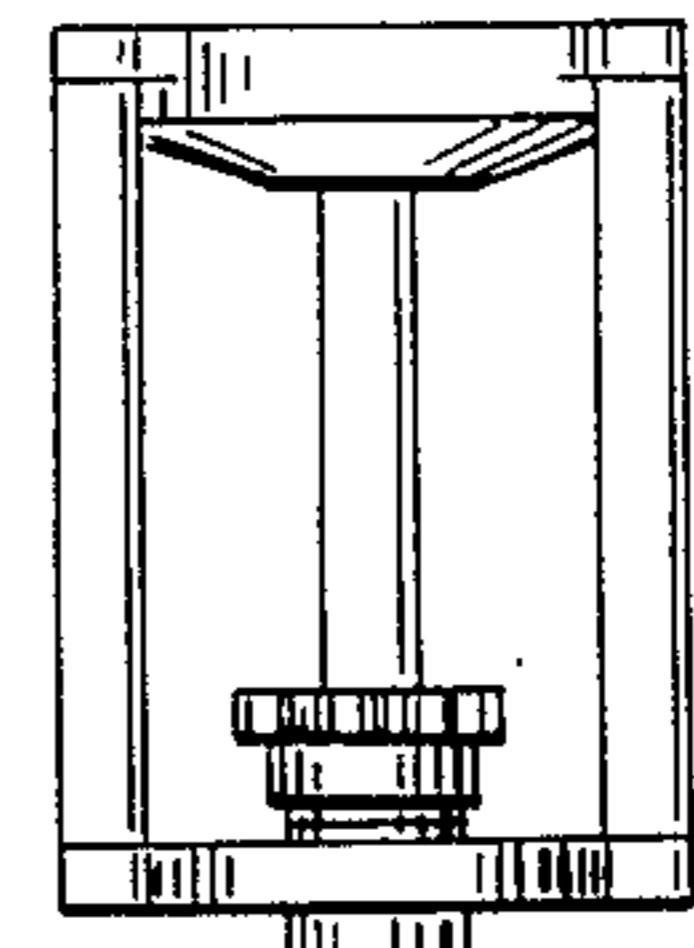


FIG. 7

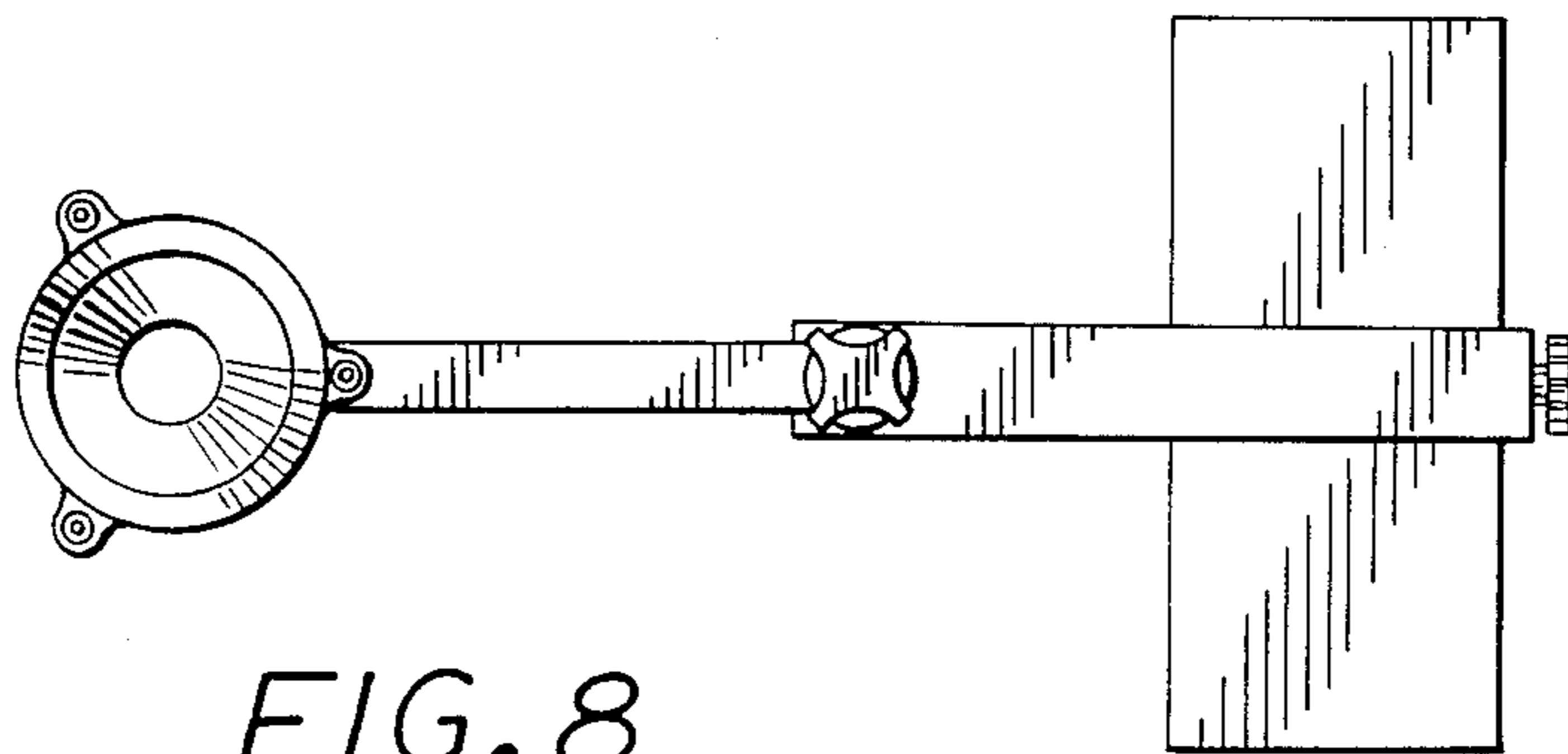
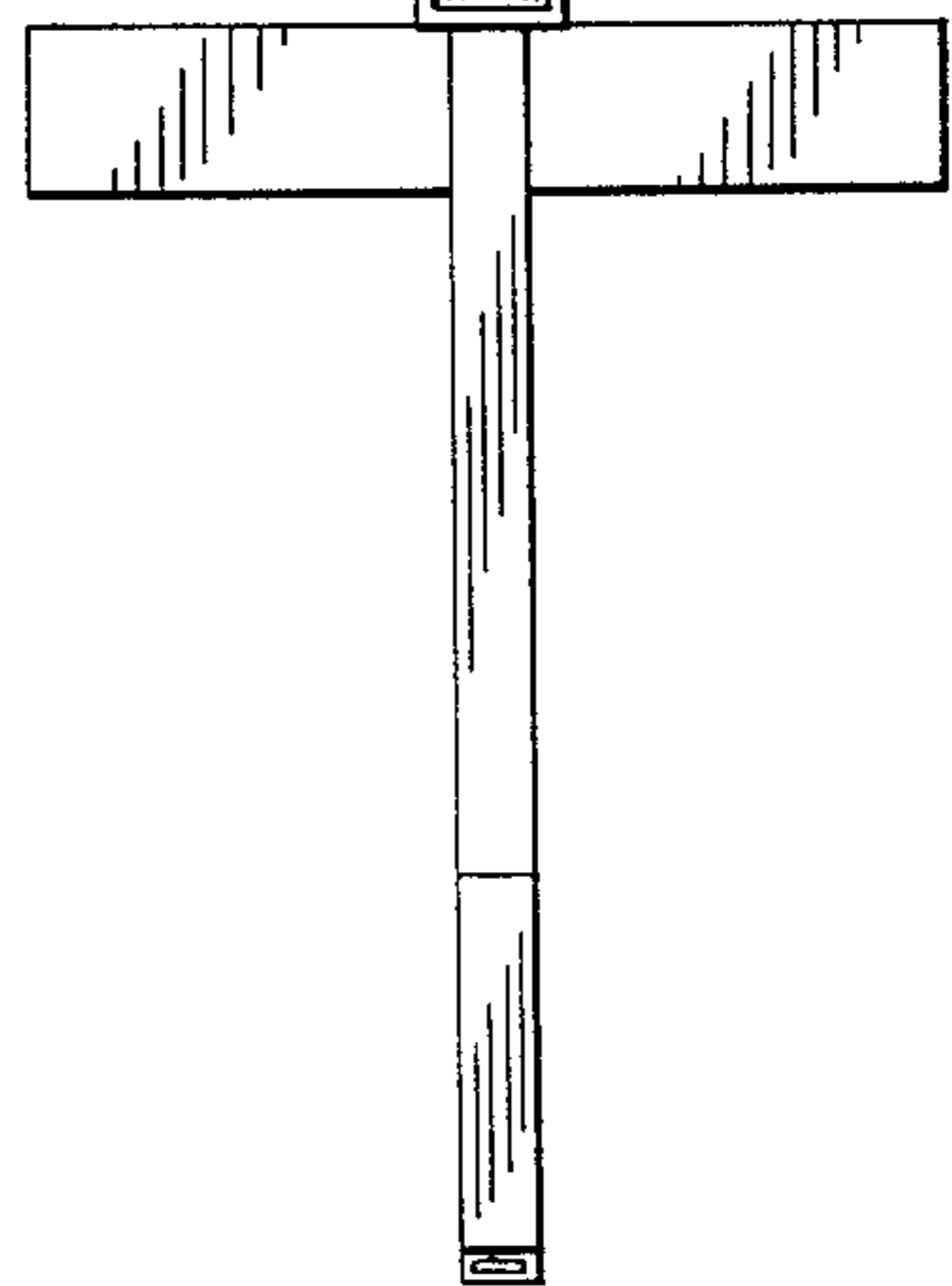
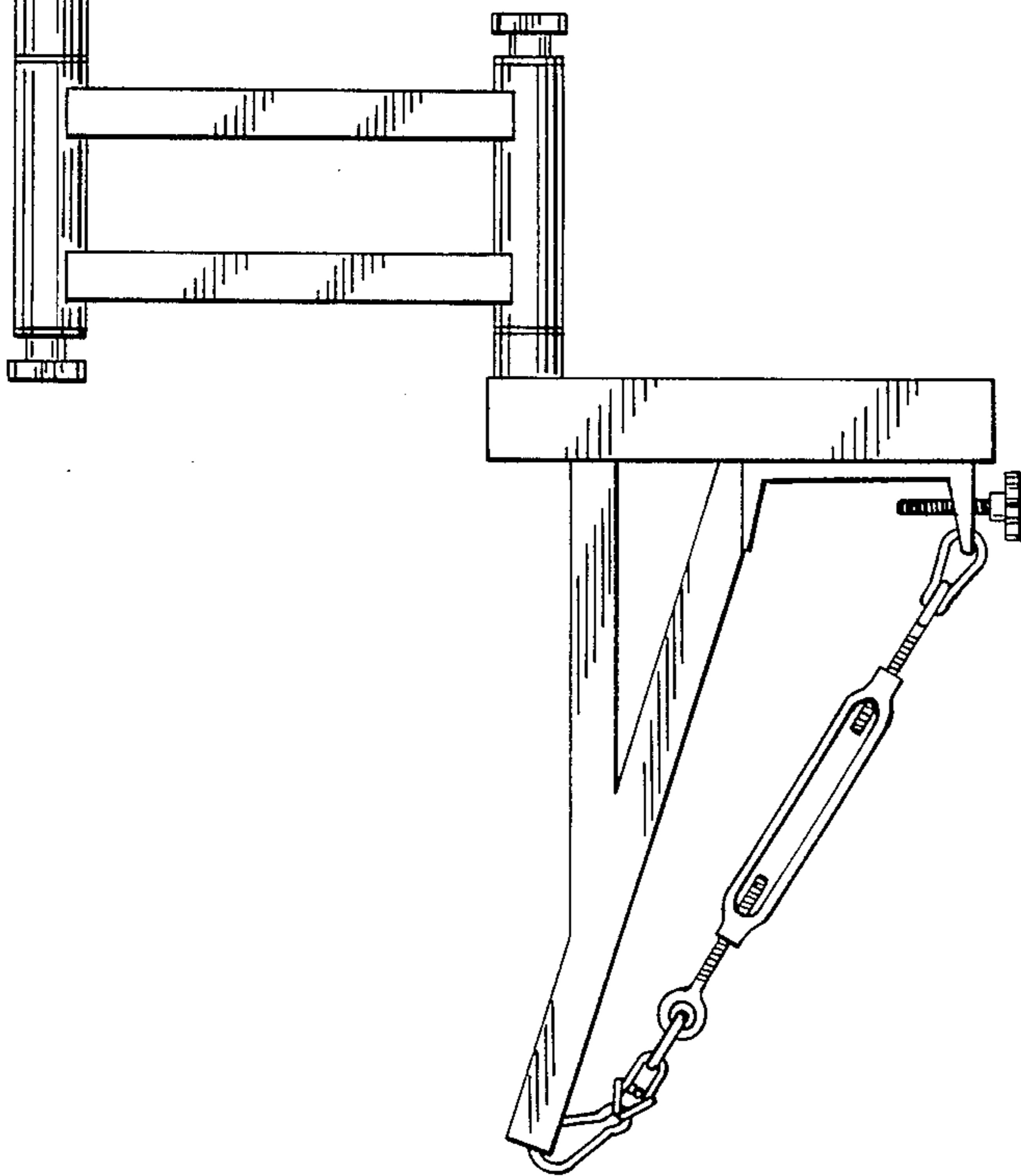


FIG. 8