

# United States Patent [19]

Bogaerts et al.

[11] Patent Number: **Des. 313,028**

[45] Date of Patent: **\*\* Dec. 18, 1990**

[54] **LATHE**

[75] Inventors: **Leo C. Bogaerts, Antioch; John W. Murphy; John S. Norman, both of Waukegan, all of**

[73] Assignee: **Ammco Tools, Inc., North Chicago, Ill.**

[\*\*] Term: **14 Years**

[21] Appl. No.: **222,239**

[22] Filed: **Jul. 21, 1988**

[52] U.S. Cl. .... **D15/130**

[58] Field of Search ..... **D15/122, 130, 131; 144/10, 365; 82/117; 142/1, 21, 36**

[56] **References Cited**

## U.S. PATENT DOCUMENTS

D. 257,678 12/1980 Cleary et al. .... D15/130

4,510,668 4/1985 Ishida et al. .... 82/117 X  
4,622,872 11/1986 Ito ..... 82/117

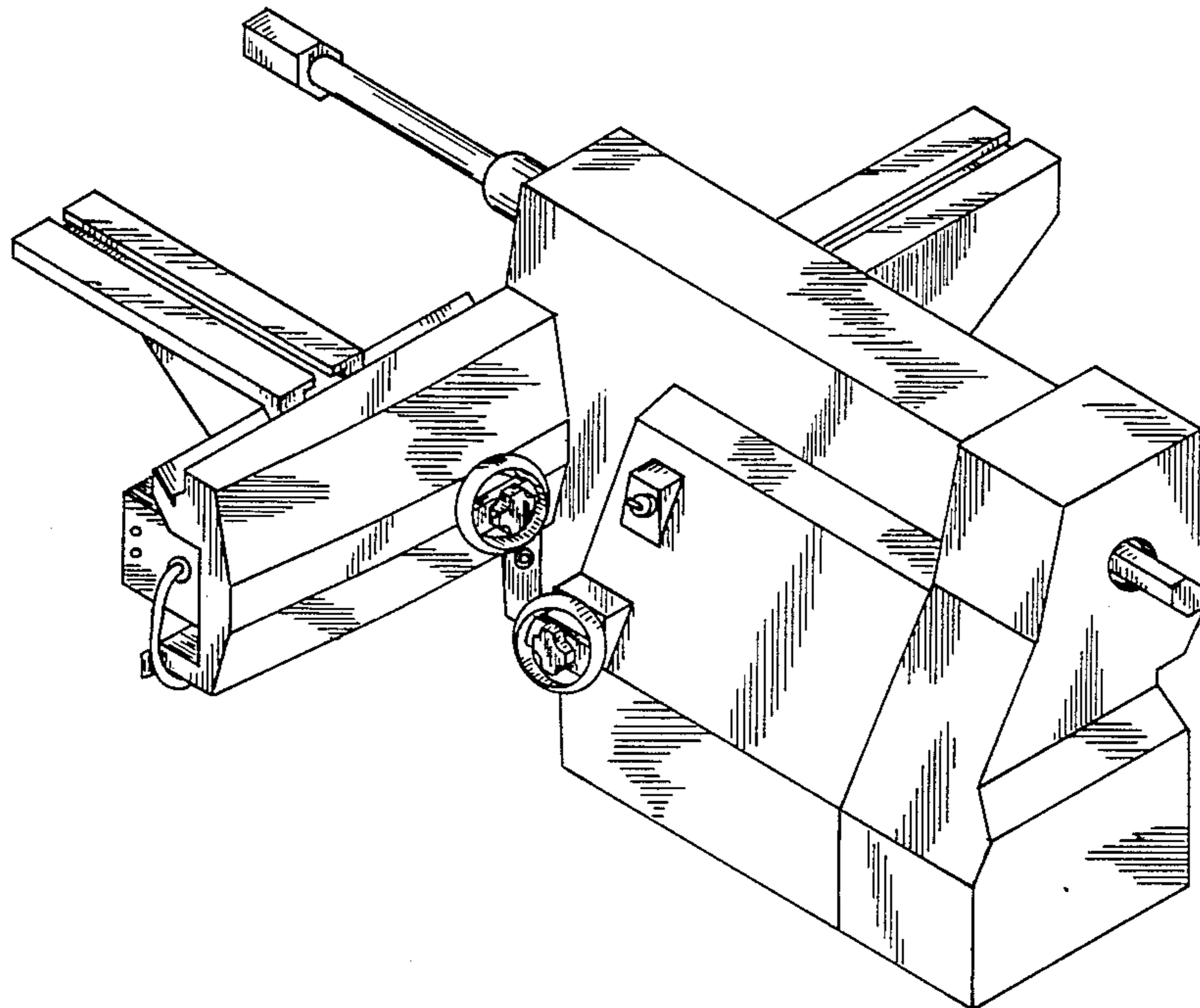
*Primary Examiner*—Bruce W. Dunkins  
*Assistant Examiner*—Jeffrey Asch  
*Attorney, Agent, or Firm*—Edmond T. Patnaude

## [57] CLAIM

The ornamental design for a lathe, as shown and described.

## DESCRIPTION

FIG. 1 is a top plan view of a lathe embodying our new design;  
FIG. 2 is a front elevational view thereof;  
FIG. 3 is a right side elevational view thereof;  
FIG. 4 is a left side elevational view thereof;  
FIG. 5 is a rear elevational view thereof;  
FIG. 6 is a bottom plan view thereof; and  
FIG. 7 is a perspective view thereof.



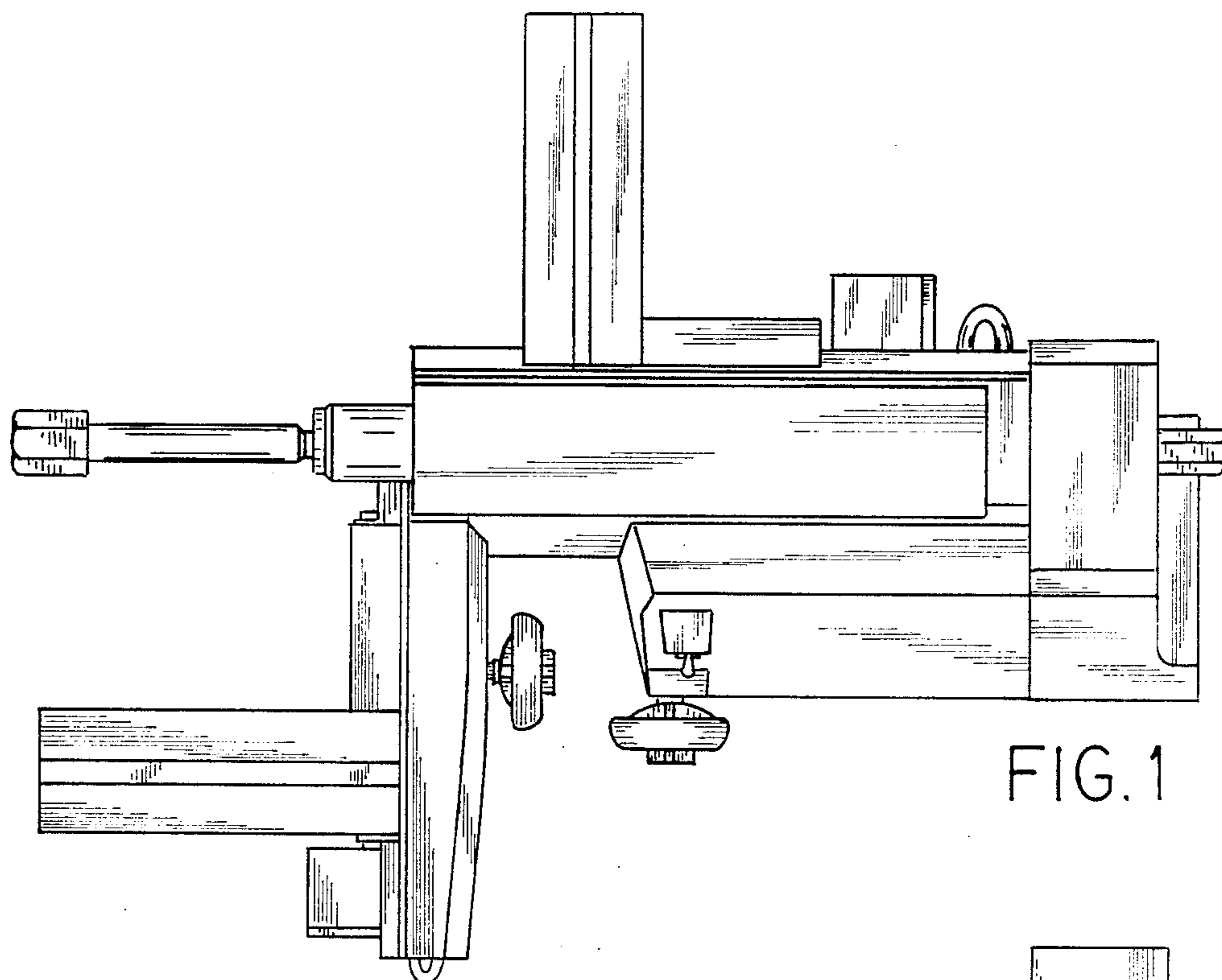


FIG. 1

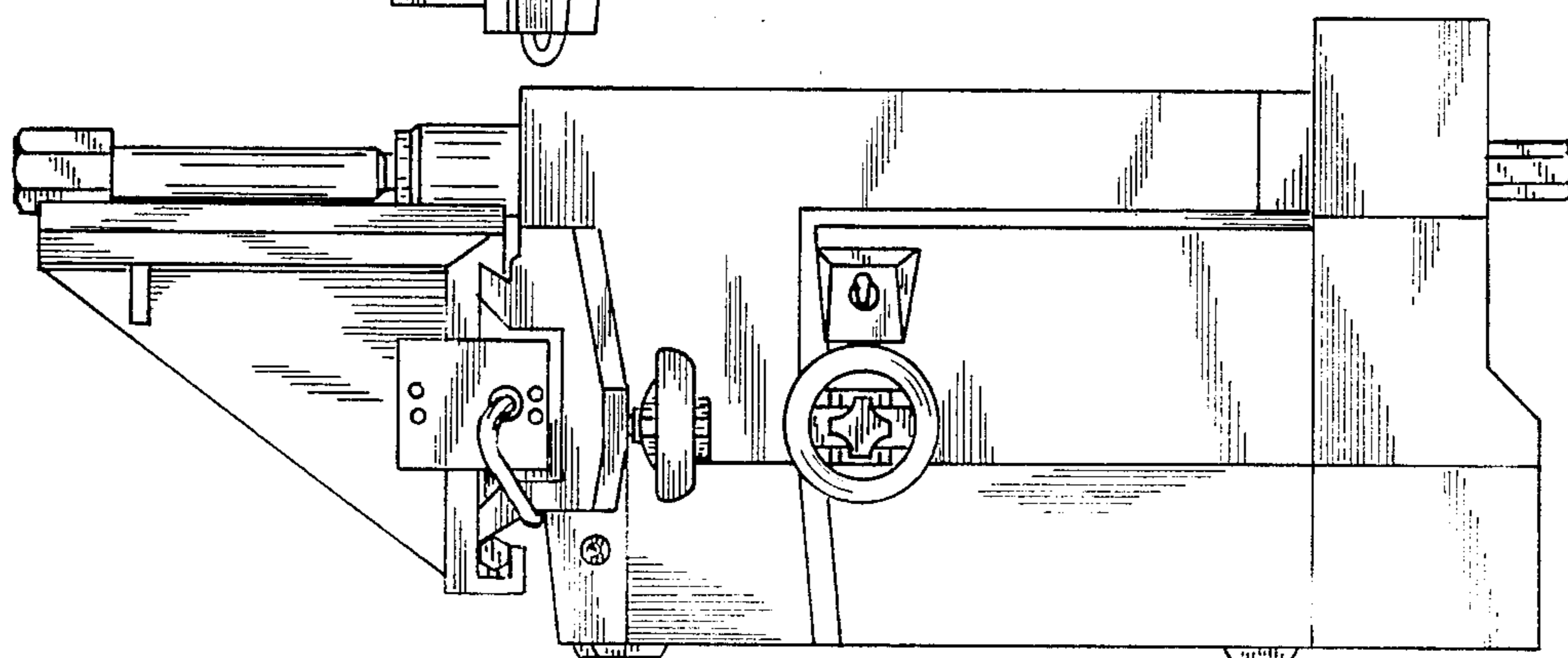


FIG. 2

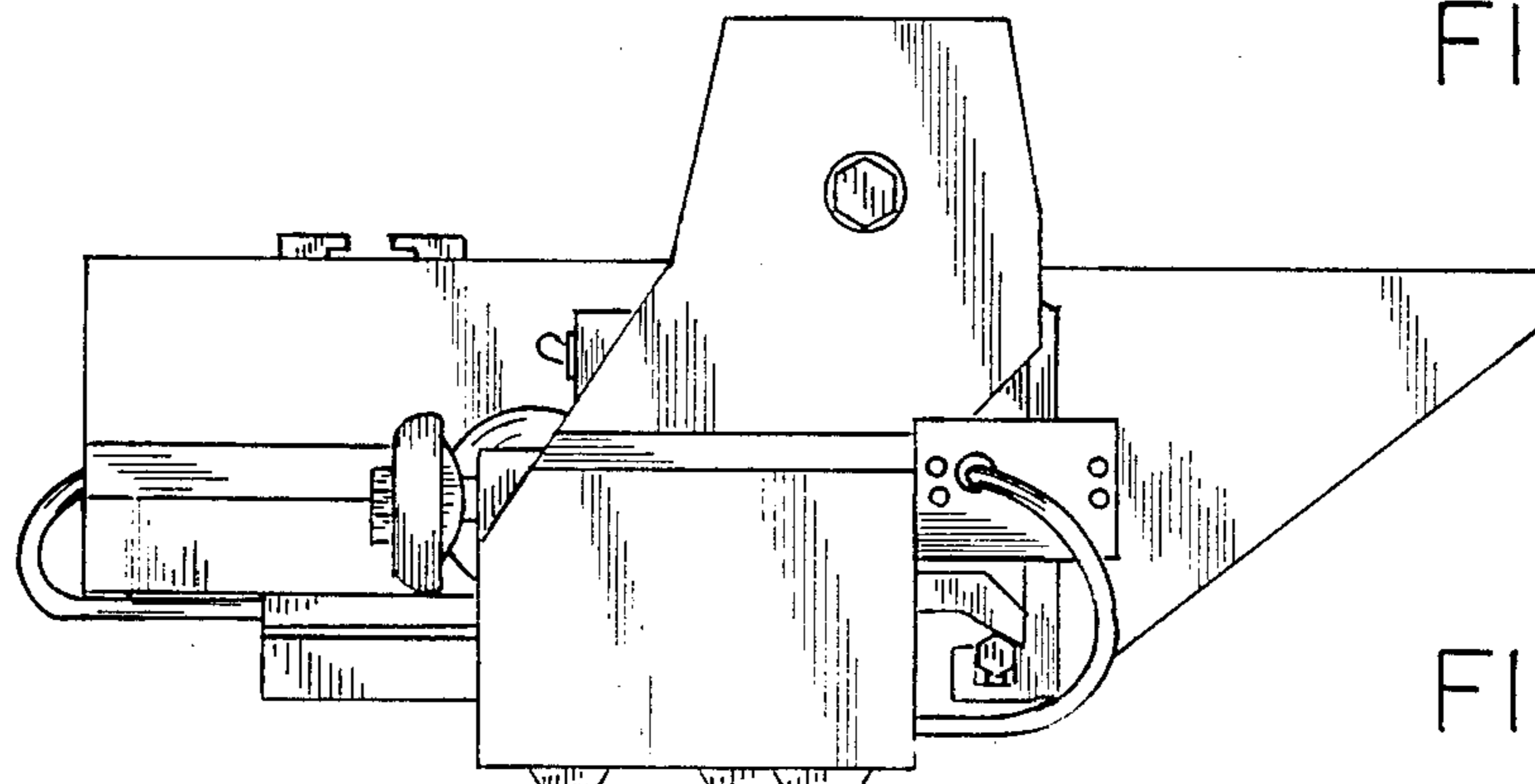


FIG. 3

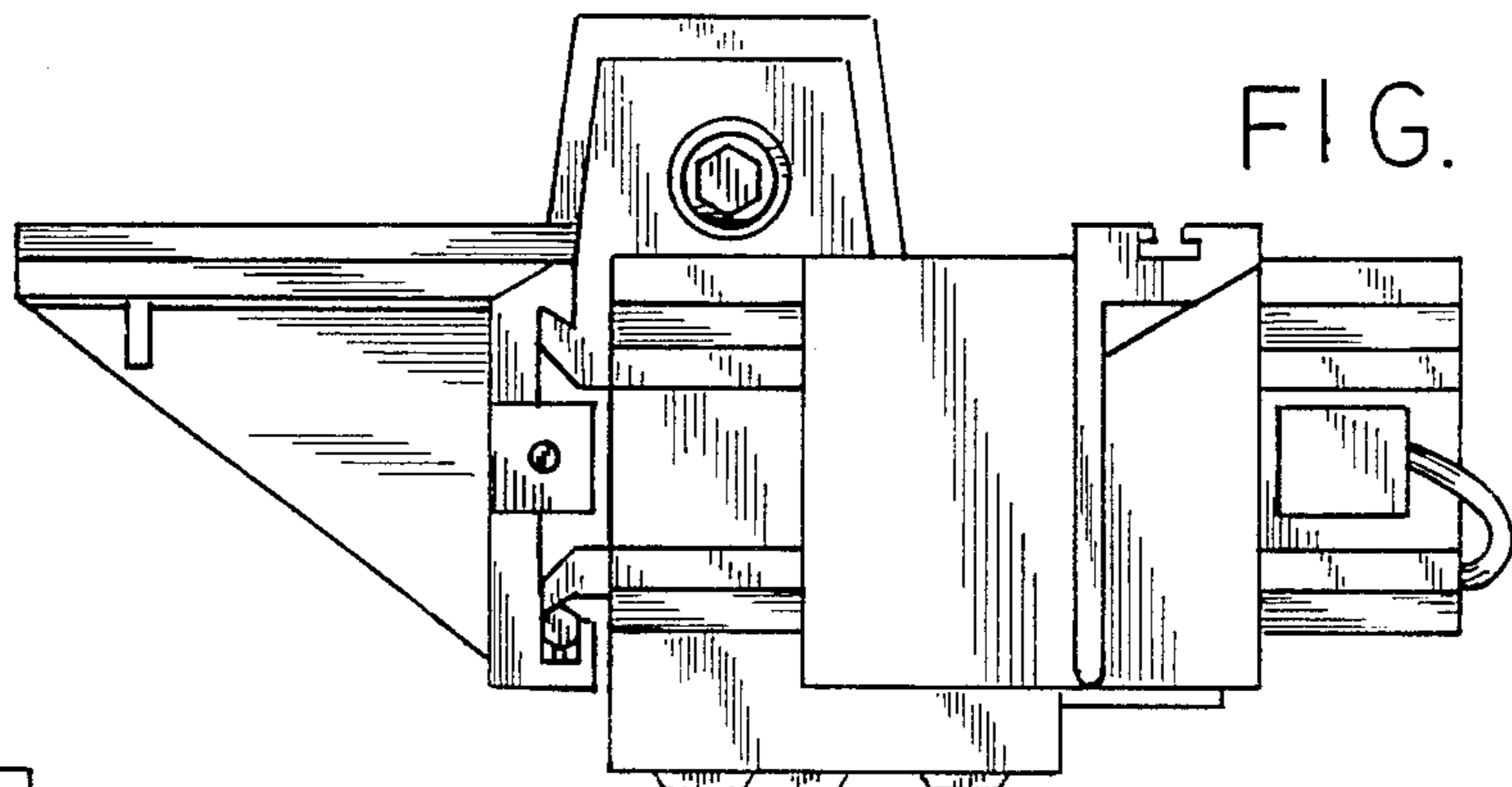


FIG. 4

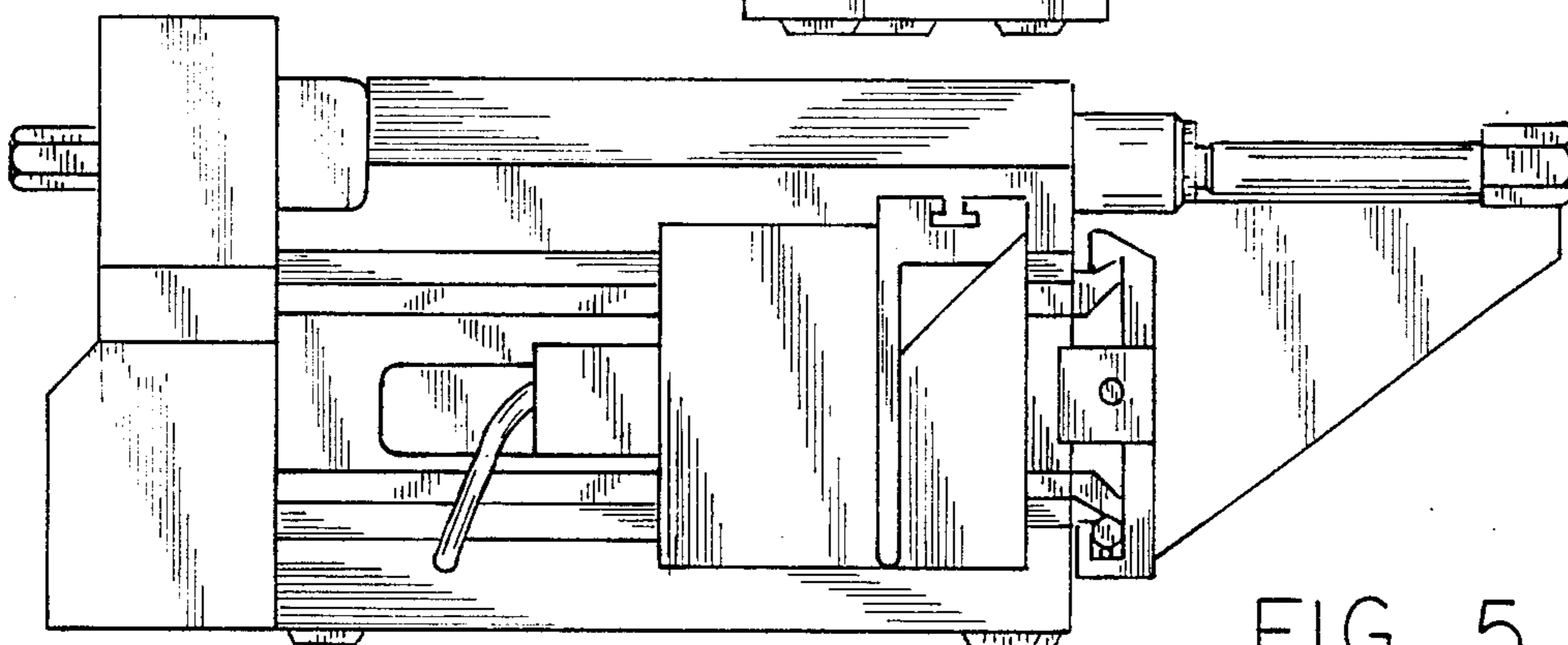


FIG. 5

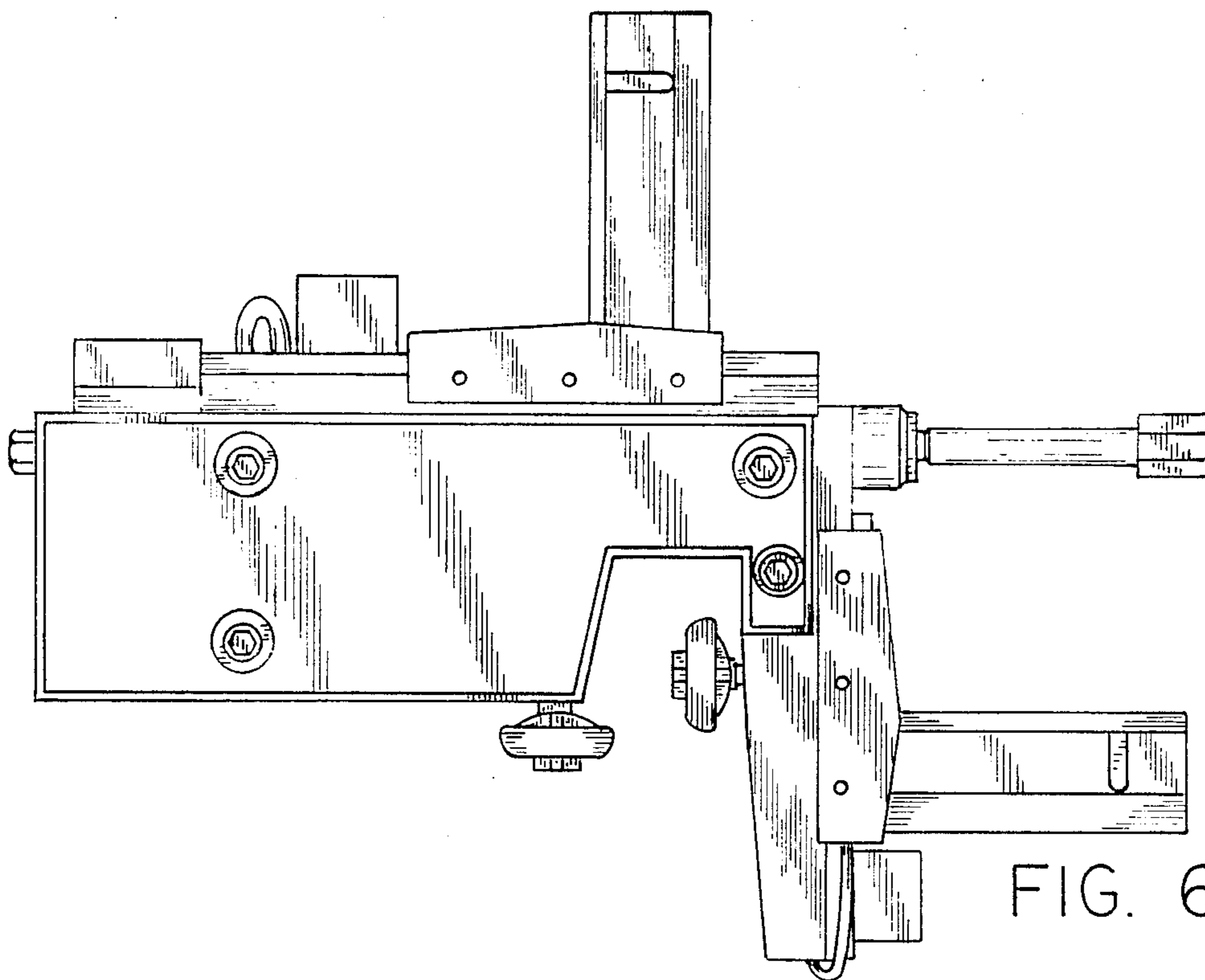


FIG. 6

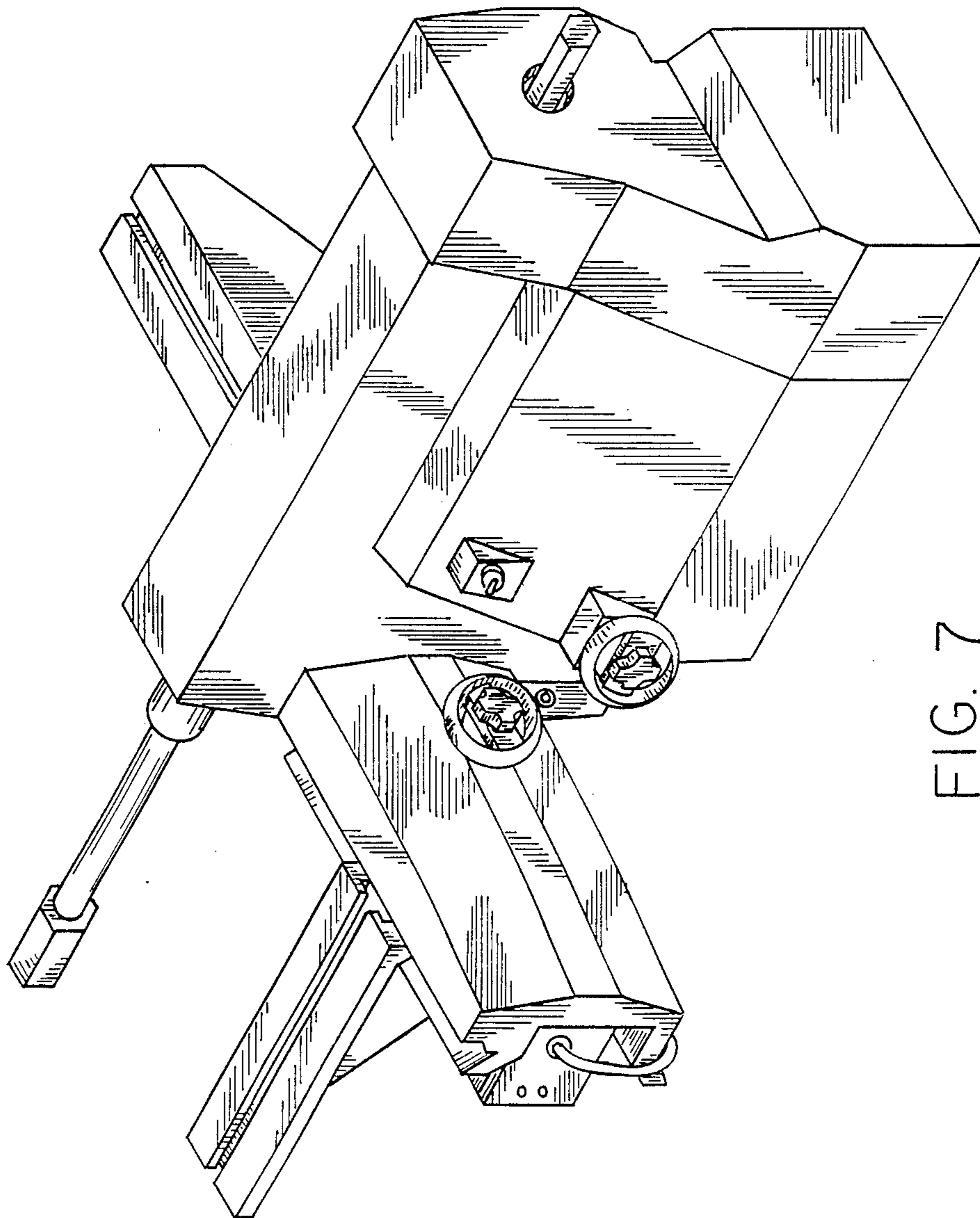


FIG. 7