

[54] JOYSTICK HANDLE FOR ELECTRICAL-HYDRAULIC CONTROL SYSTEMS

[75] Inventors: Mats A. Persson, Ljung; Jan E. Tranlov, Boras, both of Sweden

[73] Assignee: Atlas Copco Aktiebolag, Nacka, Sweden

[**] Term: 14 Years

[21] Appl. No.: 103,259

[22] Filed: Sep. 30, 1987

[30] Foreign Application Priority Data

Mar. 31, 1987 [SE] Sweden 87-0724

[52] U.S. Cl. D15/142; D13/169; D21/48

[58] Field of Search D15/142; D13/169; D21/48; D8/307, 308; 74/471 XY; 200/6 A, 61.85

[56] References Cited

U.S. PATENT DOCUMENTS

3,283,088 11/1966 Scow et al. 200/6 A

3,991,845 11/1976 LaPointe 74/471 XY
4,425,488 1/1984 Moskin et al. 200/6 A
4,574,651 3/1986 Nordström 200/61.85
4,590,339 5/1986 Scott-Jackson et al. 74/471 XY
4,604,502 8/1986 Thomas 200/6 A

OTHER PUBLICATIONS

"Remote Control"; Atlas-Copco, Monsun-Tison, published Jun. 30, 1983.

Primary Examiner—B. J. Bullock

Attorney, Agent, or Firm—Frishauf, Holtz, Goodman & Woodward

[57] CLAIM

The ornamental design for a joystick handle for electrical-hydraulic control systems, as shown.

DESCRIPTION

FIG. 1 is a side view of a joystick handle for electrical-hydraulic control systems, showing our new design; FIG. 2 is a top view thereof; FIG. 3 is a bottom view thereof; FIG. 4 is a front view thereof; FIG. 5 is a rear view thereof; and FIG. 6 is a side view thereof as seen from the opposite side as FIG. 1.

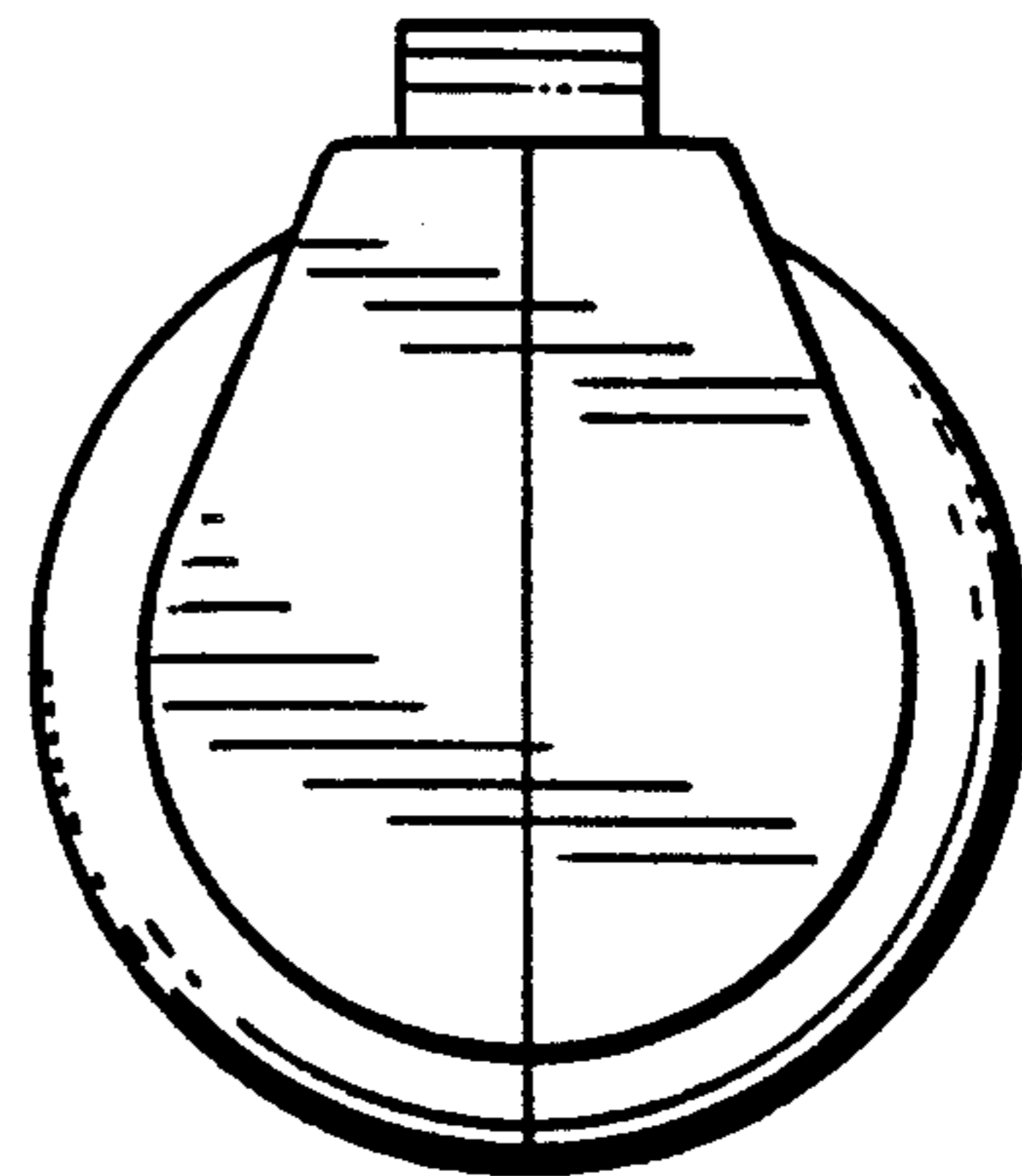
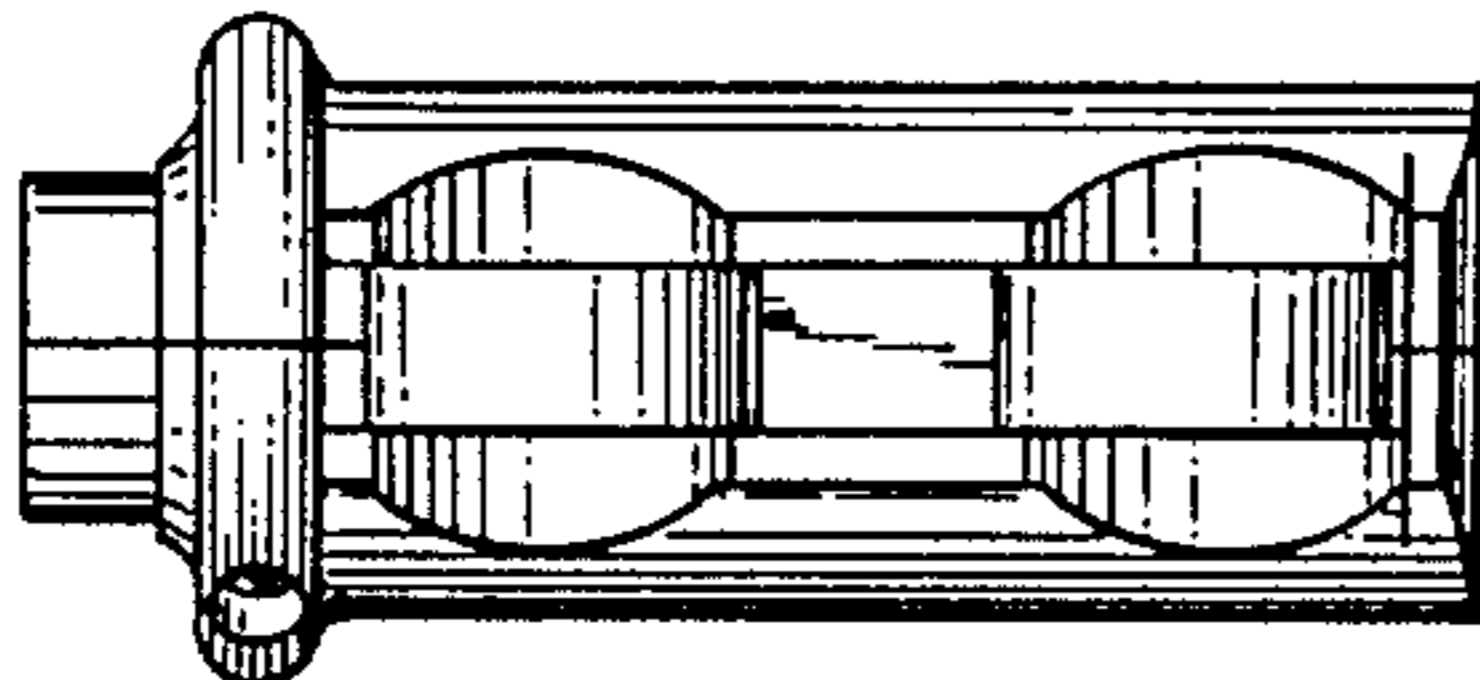
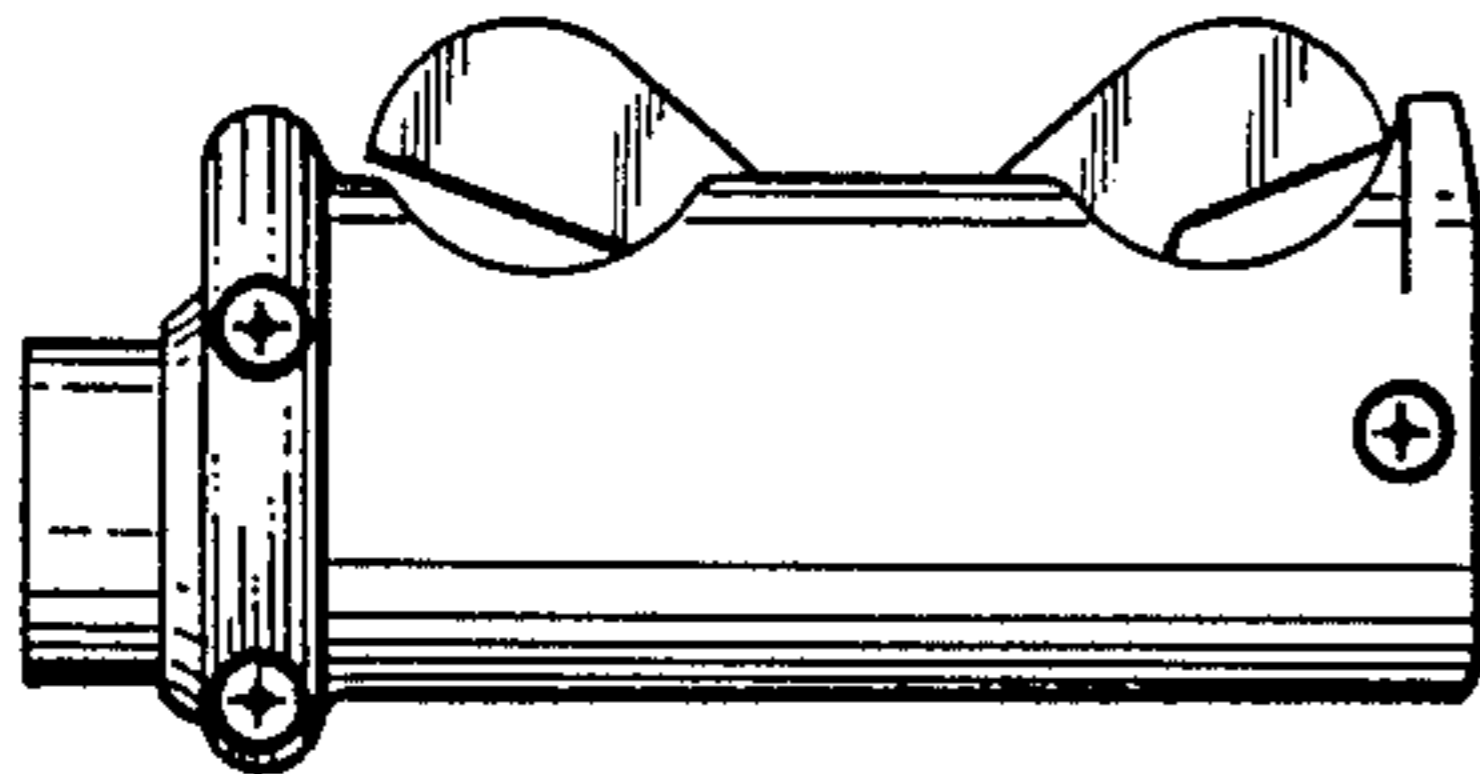


FIG. 1

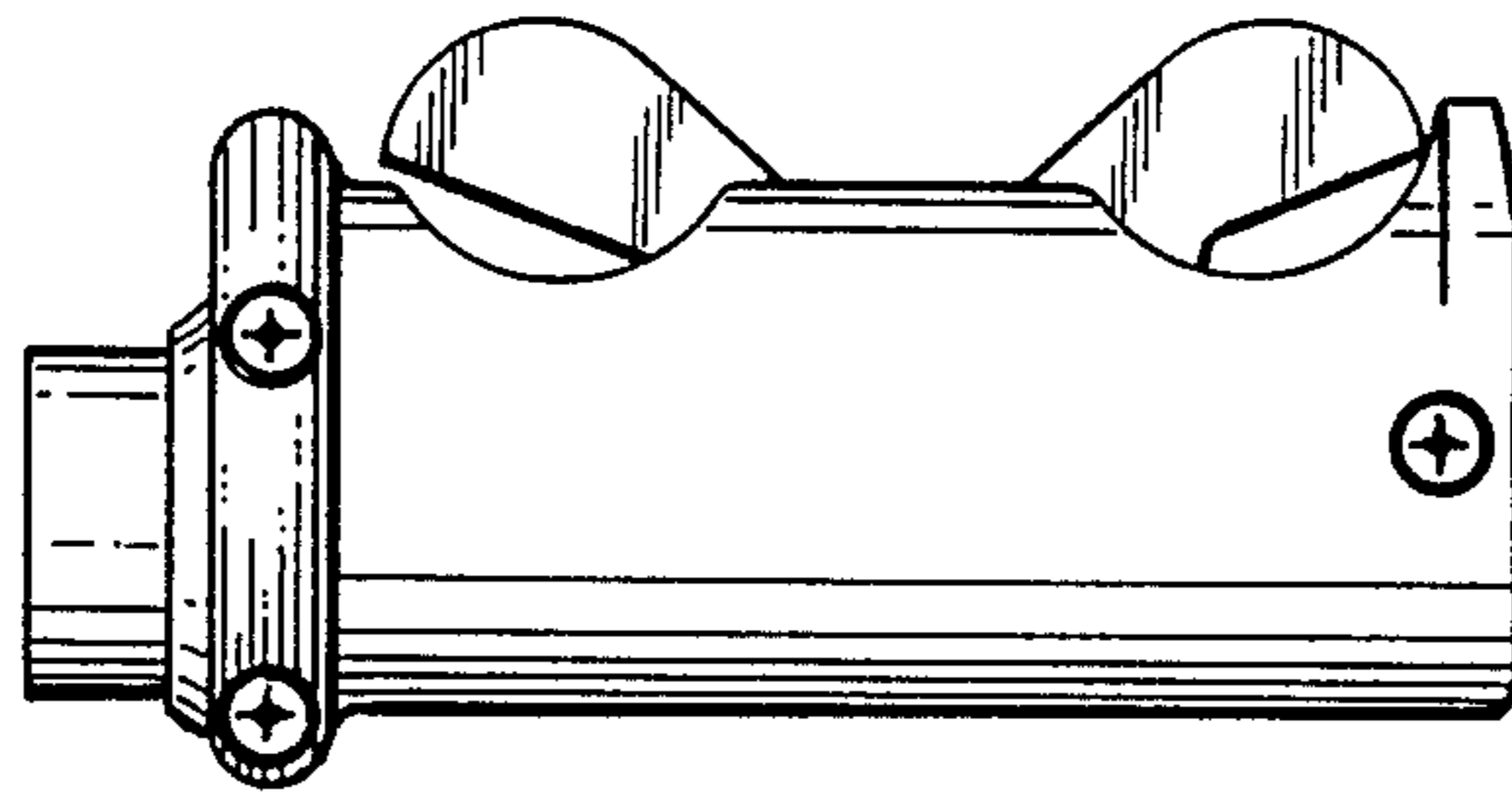


FIG. 2

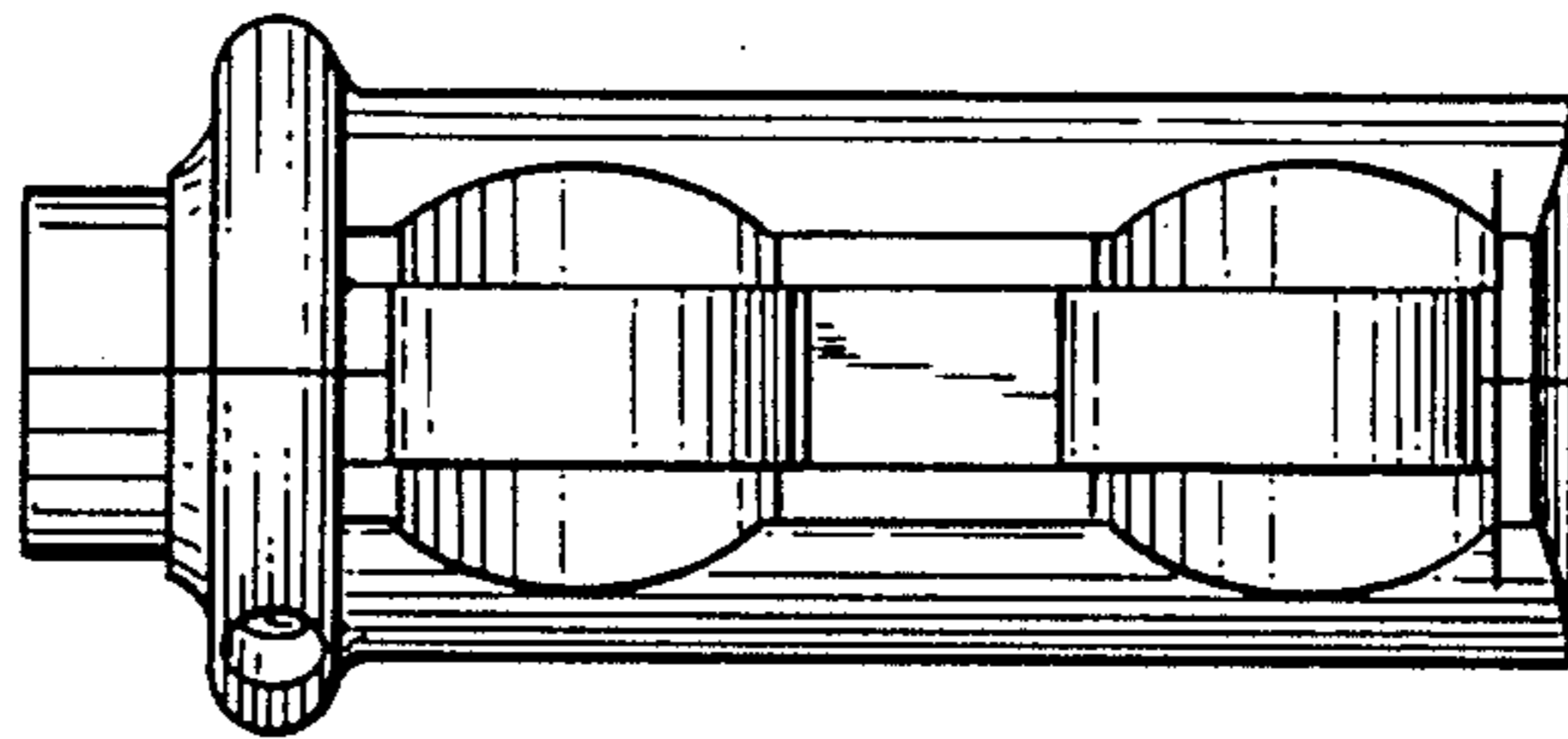


FIG. 3

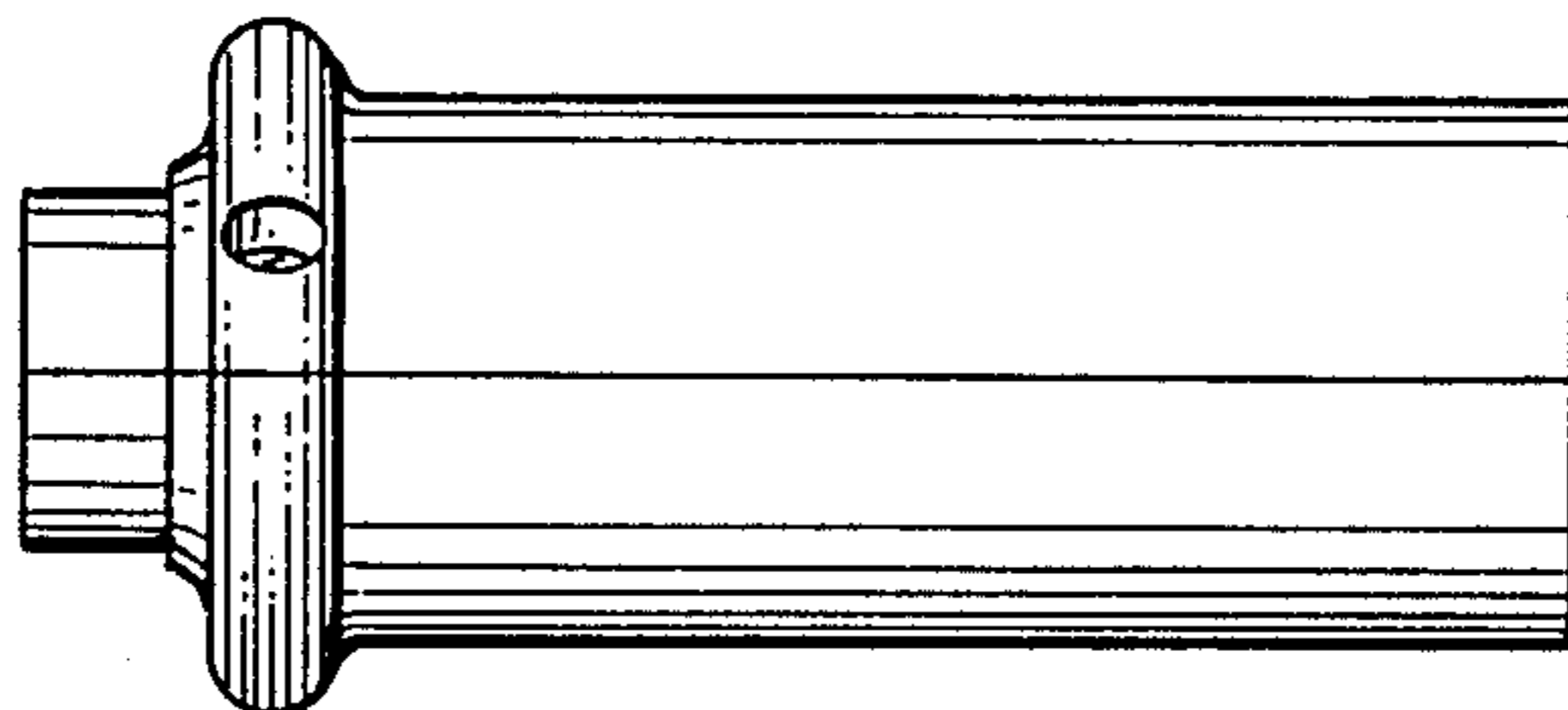


FIG. 4

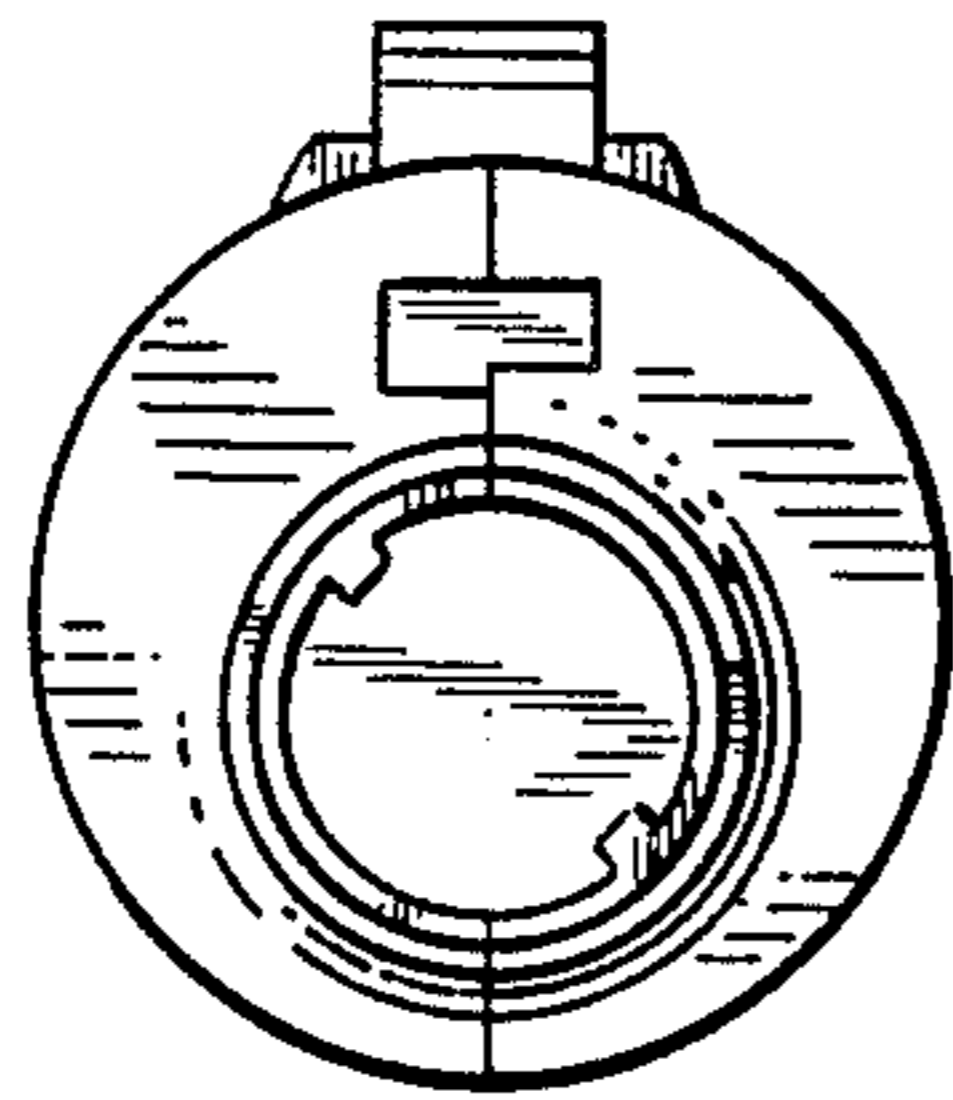


FIG. 5

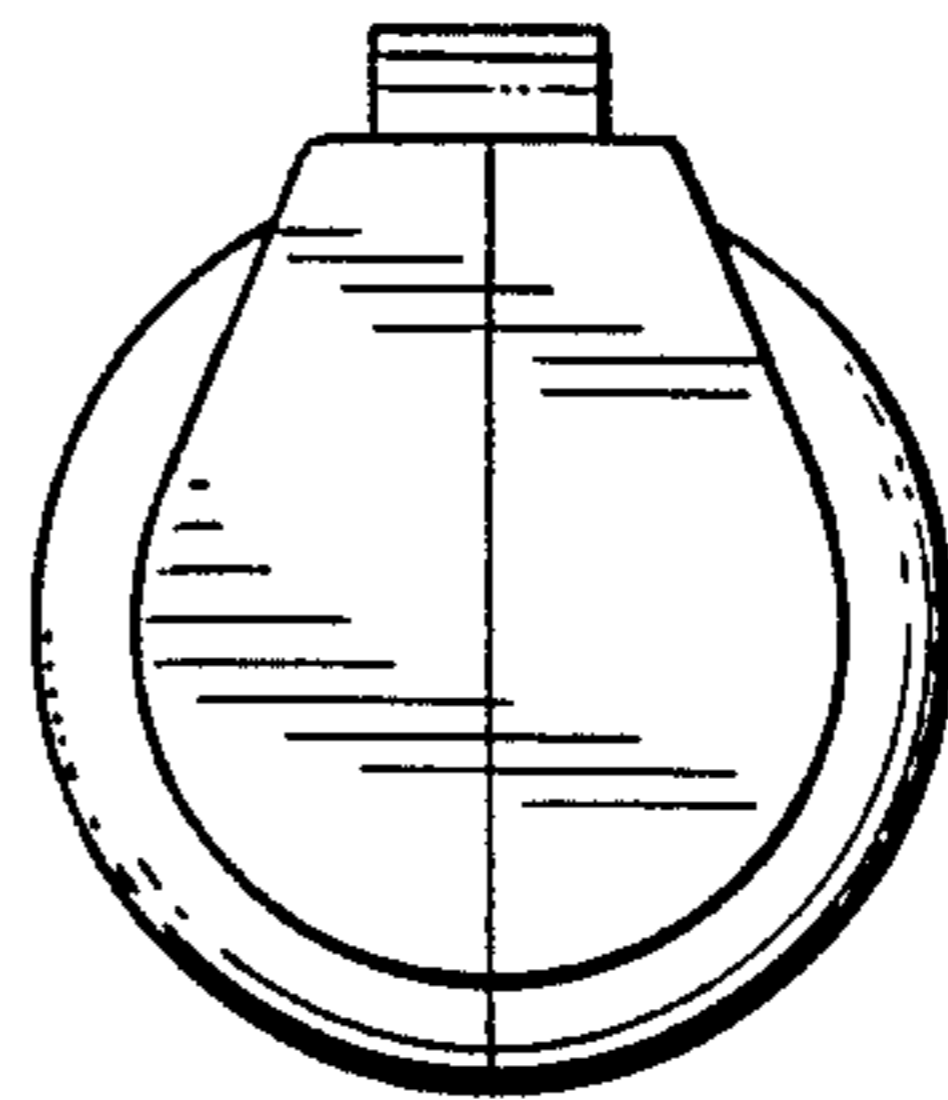


FIG. 6

