

[54] **COMBINED PLACER MINING SUCTION  
NOZZLE AND PUDDLING NOZZLE**

[76] **Inventor: Vernon A. East, 915 W. 16th St.,  
Tempe, Ariz. 85281**

[\*\*] **Term: 14 Years**

[21] **Appl. No.: 211,662**

[22] **Filed: Jun. 27, 1988**

[52] **U.S. Cl. .... D15/21**

[58] **Field of Search ..... D15/10, 21, 23; 37/57,  
37/61, 62, 63, 73**

[56] **References Cited**

**U.S. PATENT DOCUMENTS**

2,774,569 12/1956 Jacobsen ..... 37/63  
4,399,622 8/1983 Howard ..... 37/57

**OTHER PUBLICATIONS**

The Oil Engine & Gas Turbine, p. 228, Nov. 1962,  
figure in middle of page.

*Primary Examiner*—B. J. Bullock  
*Assistant Examiner*—Sandra Morris  
*Attorney, Agent, or Firm*—Cahill, Sutton & Thomas

[57] **CLAIM**

The ornamental design for a combined placer mining suction nozzle and puddling nozzle, as shown and described.

**DESCRIPTION**

FIG. 1 is a side elevational view of a combined placer mining suction nozzle and puddling nozzle, showing my new design, the broken lines showing a hose are for illustrative purposes only and form no part of the claimed design;

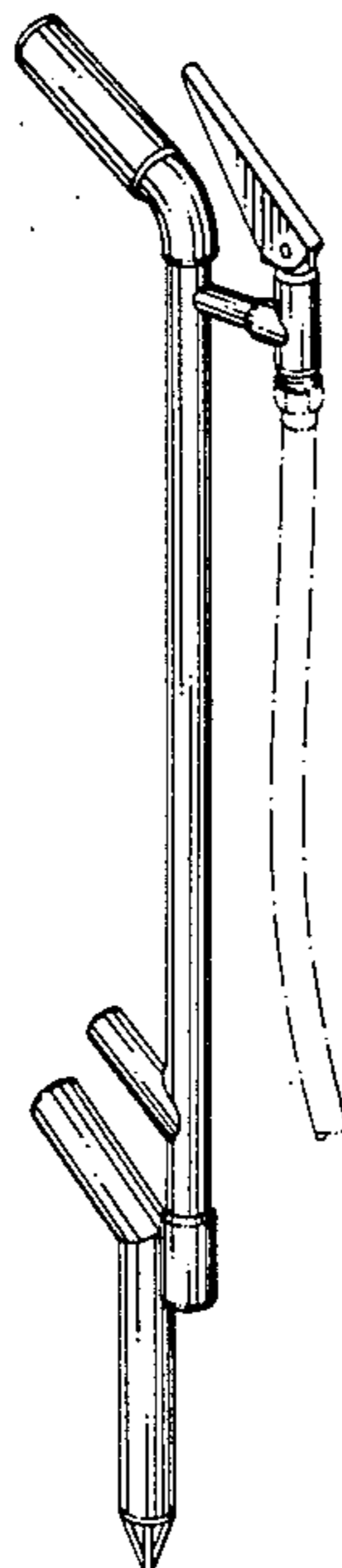
FIG. 2 is a rear elevational view thereof;

FIG. 3 is a front elevational view thereof, shown broken away for ease of illustration;

FIG. 4 is a side elevational view thereof, the other side being a mirror image, shown broken away for ease of illustration;

FIG. 5 is a top plan view thereof; and

FIG. 6 is a bottom plan view thereof.



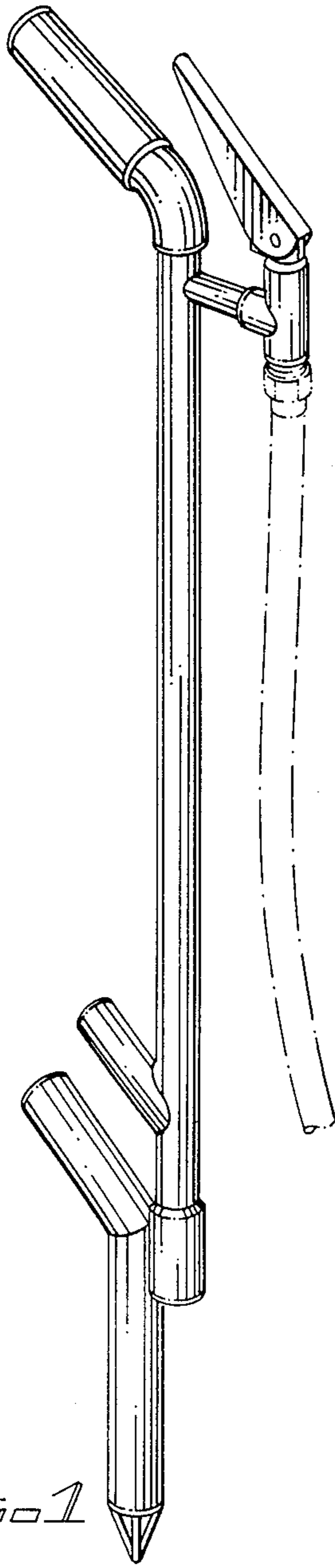


FIG. 1

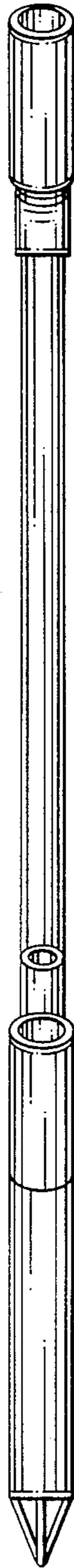


FIG. 2

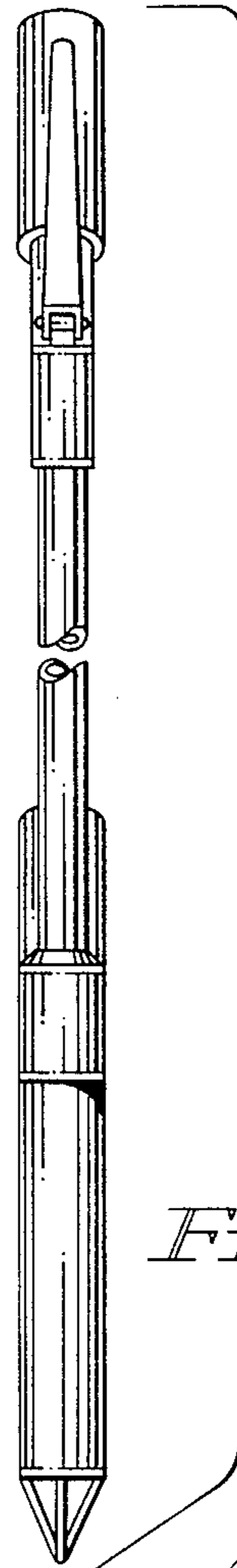


FIG. 3

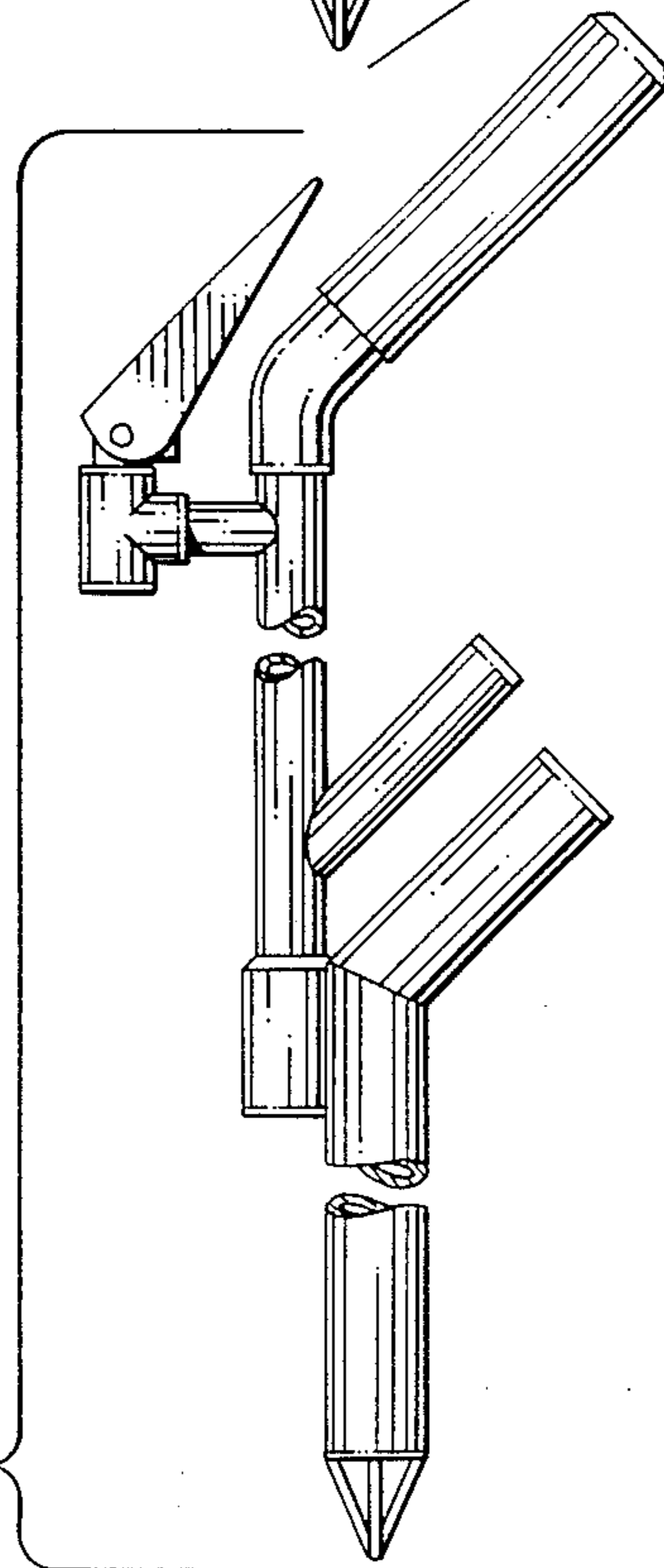


FIG. 4



FIG. 5



FIG. 6