

[54] VEHICULAR ADAPTOR FOR A PORTABLE RADIO

[75] Inventors: Scott H. Richards, Sunrise; Bruce A. Claxton, Coral Springs; Rudy Yorio, Sunrise, all of Fla.

[73] Assignee: Motorola, Inc., Schaumburg, Ill.

[**] Term: 14 Years

[21] Appl. No.: 220,846

[22] Filed: Jul. 18, 1988

[52] U.S. Cl. D14/265; D14/137

[58] Field of Search D14/137, 155, 157, 188, D14/194, 197-198, 257-258, 265, 299; 455/89-90, 345-346

[56] References Cited

U.S. PATENT DOCUMENTS

- D. 244,618 6/1977 Goldman et al. D14/157 X
- D. 246,521 11/1977 Krumin et al. D14/68

- D. 288,683 3/1987 Bostler et al. D14/76
- D. 292,586 11/1987 George et al. D14/96
- 4,091,318 5/1978 Eichler et al. 455/90 X
- 4,892,486 1/1990 Guzik et al. 455/90 X

OTHER PUBLICATIONS

The Office, Nov. 1986, p. 163, top right.

Primary Examiner—Theodore M. Shooman
Attorney, Agent, or Firm—Daniel K. Nichols

[57] CLAIM

The ornamental design for a vehicular adaptor for a portable radio, as shown.

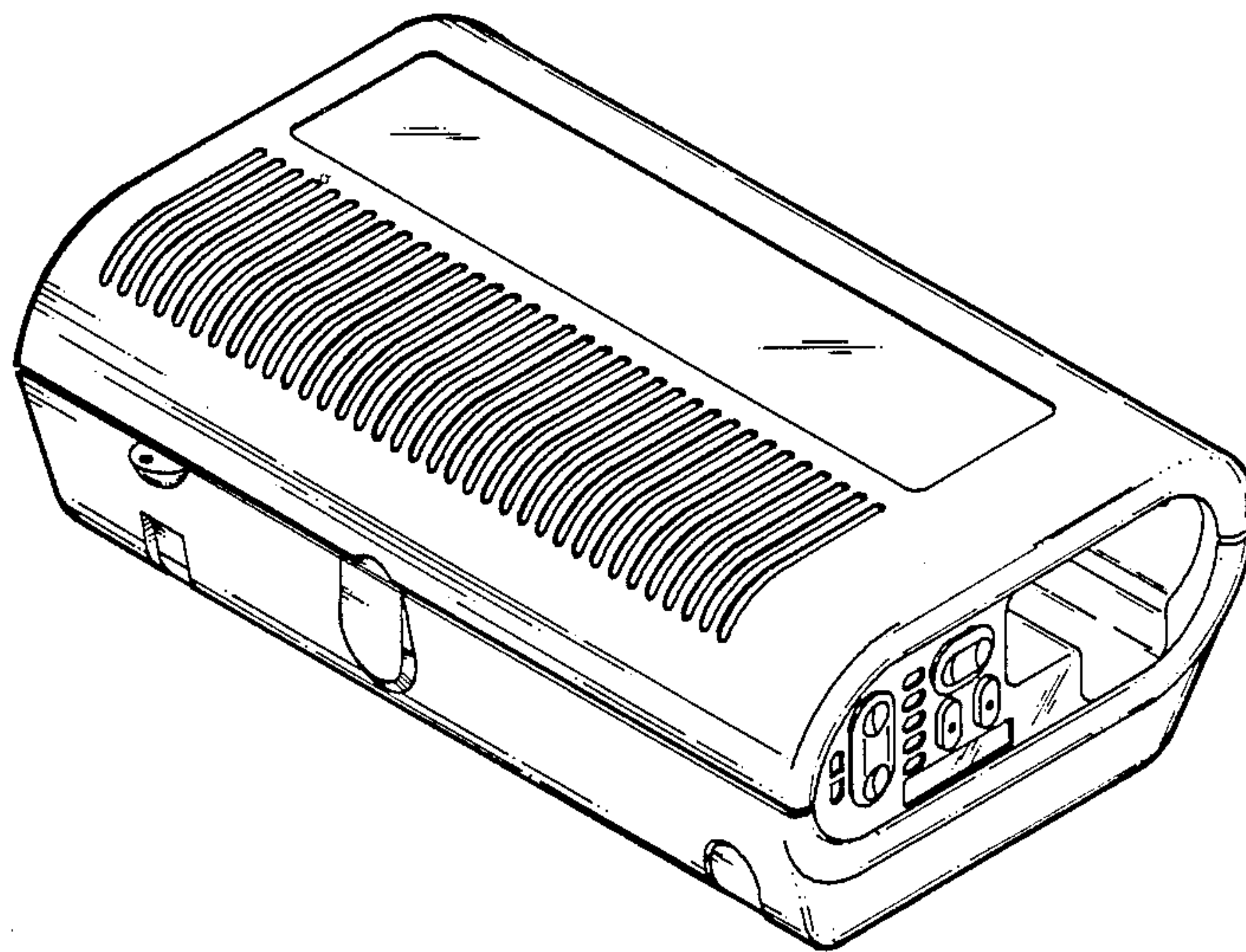
DESCRIPTION

FIG. 1 is a front, top and left side perspective view of a vehicular adaptor for a portable radio showing our new design;

FIG. 2 is a right side elevational view thereof;

FIG. 3 is a rear elevational view thereof; and

FIG. 4 is a bottom plan view thereof.



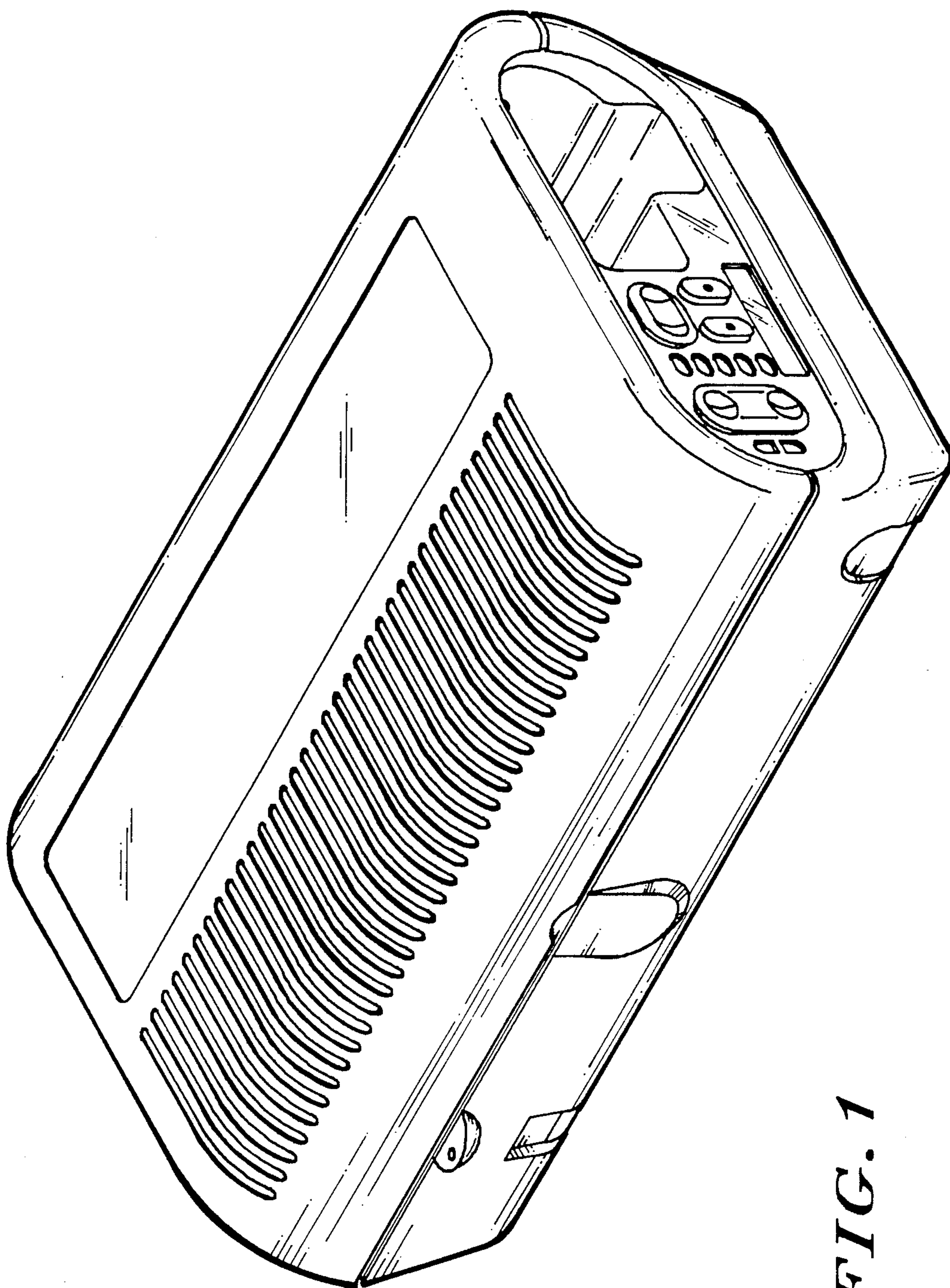


FIG. 1

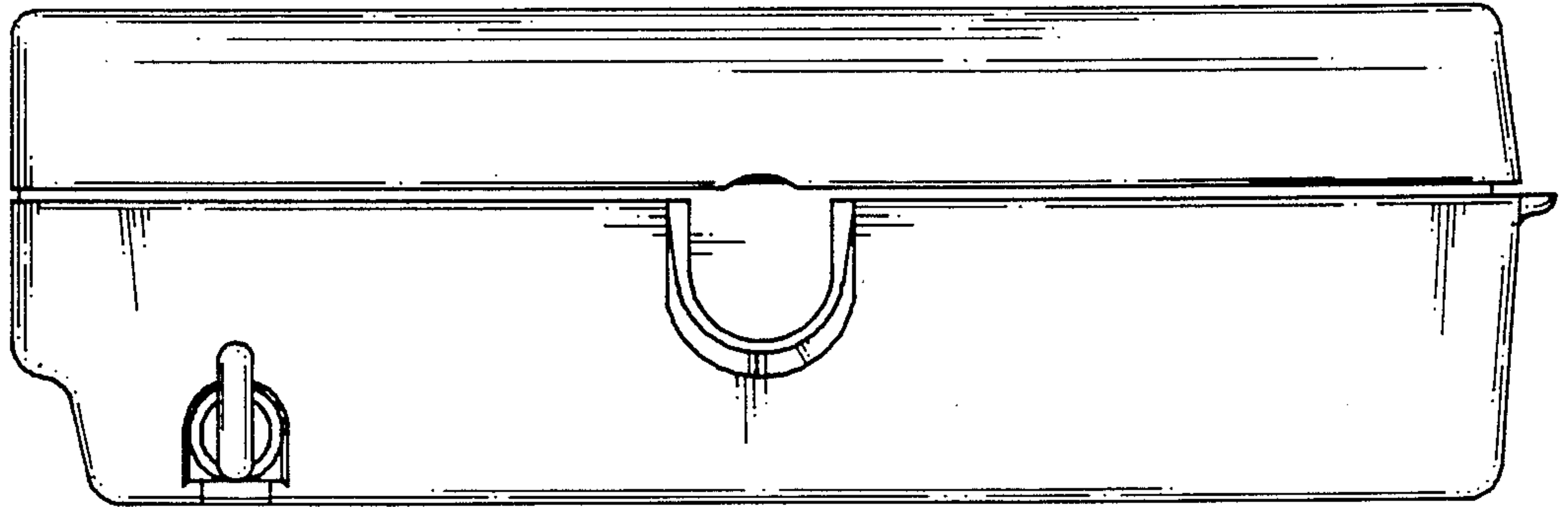


FIG. 2

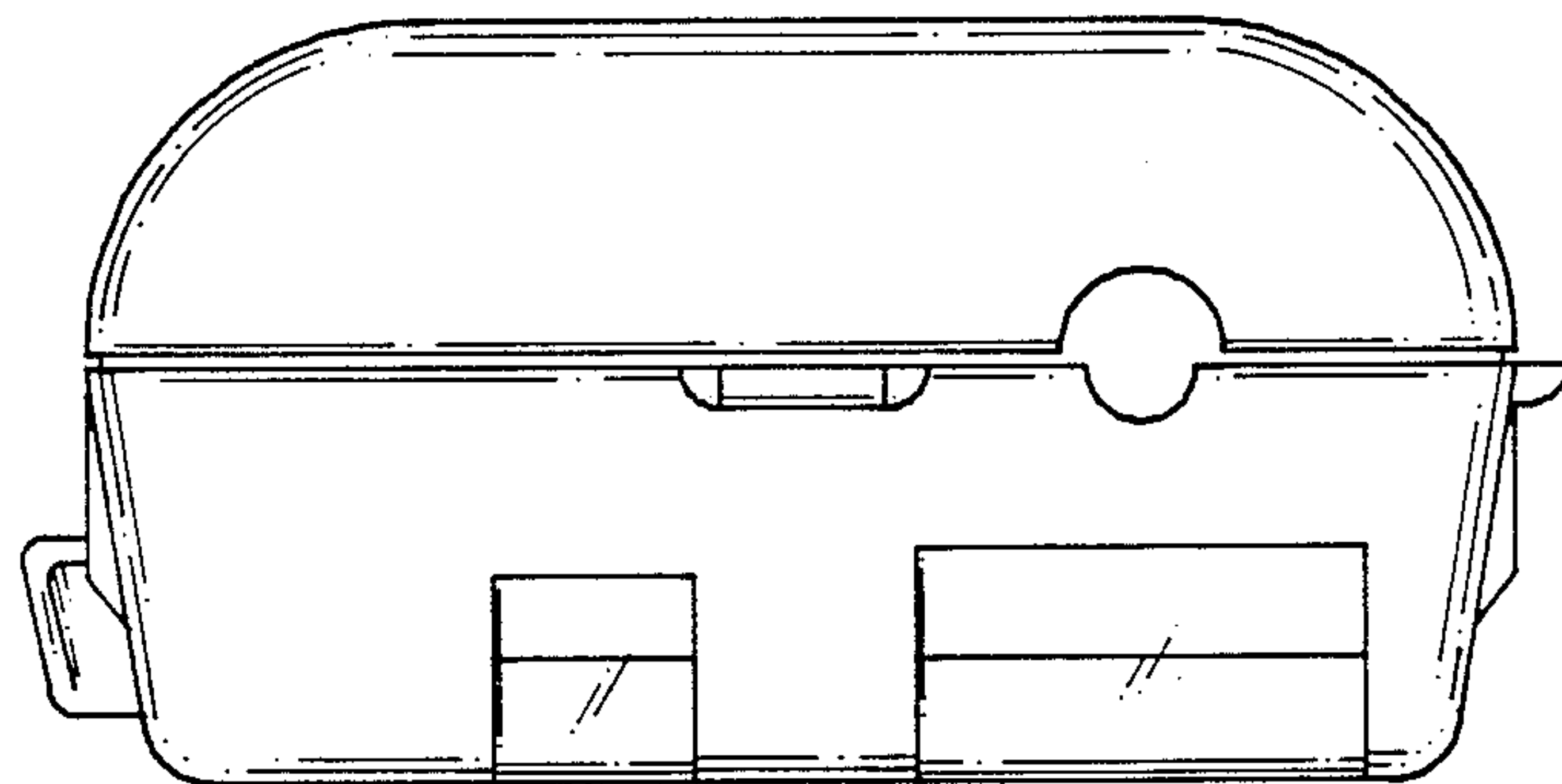


FIG. 3

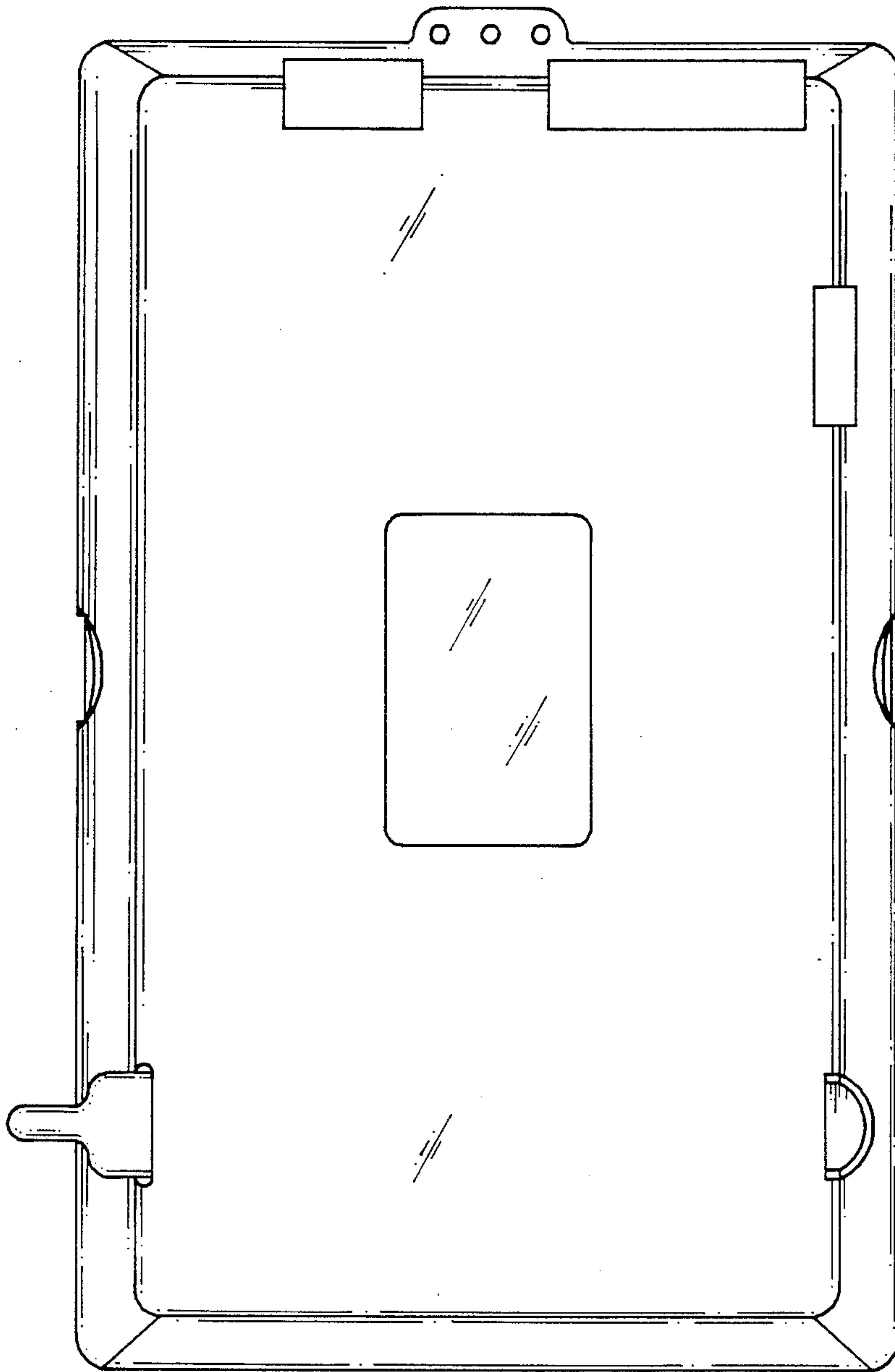


FIG. 4