

[54] **PORTABLE RADIO**

[75] **Inventor: Alexander Ehrmann, West Bloomfield, Mich.**

[73] **Assignee: Alaron, Inc., Troy, Mich.**

[**] **Term: 14 Years**

[21] **Appl. No.: 278,082**

[22] **Filed: Nov. 30, 1988**

[52] **U.S. Cl. D14/196; D14/195**

[58] **Field of Search D14/188-198,
D14/163, 168; 455/344, 347, 350-351; 312/7.1;
D10/15**

[56] **References Cited**

U.S. PATENT DOCUMENTS

D. 253,822	1/1980	Hamada et al.	D14/195
D. 274,191	6/1984	Aoijis	D10/15 X
D. 301,846	6/1989	Beyer	D14/195
D. 307,013	4/1990	Pang	D14/197

FOREIGN PATENT DOCUMENTS

1048243 2/1988 United Kingdom .

OTHER PUBLICATIONS

B. A. Pargh Fall/Winter 1985/86 Catalog; p. 397; top--left--Cube radio.

B. A. Pargh Fall/Winter 1985/86 Catalog; p. 389; left--center--Panasonic model RC57RPA.

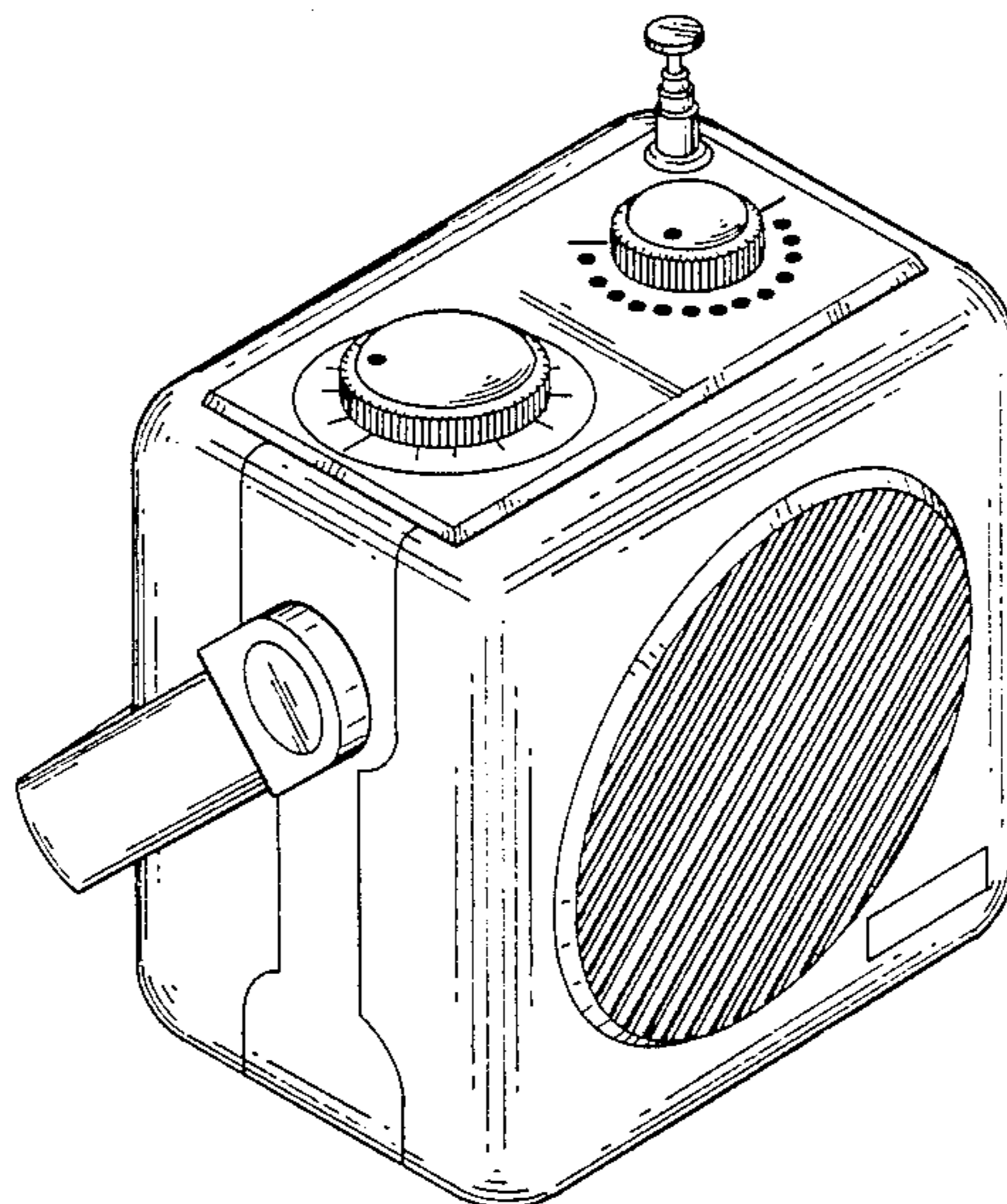
Primary Examiner—Theodore M. Shooman
Attorney, Agent, or Firm—Krass & Young

[57] **CLAIM**

The ornamental design for a portable radio, as shown and described.

DESCRIPTION

FIG. 1 is a top, front and left side perspective view of a portable radio showing my new design;
FIG. 2 is a front elevational view thereof;
FIG. 3 is a left side elevational view thereof;
FIG. 4 is a right side elevational view thereof;
FIG. 5 is a rear elevational view thereof;
FIG. 6 is a top plan view thereof; and
FIG. 7 is a bottom plan view thereof.



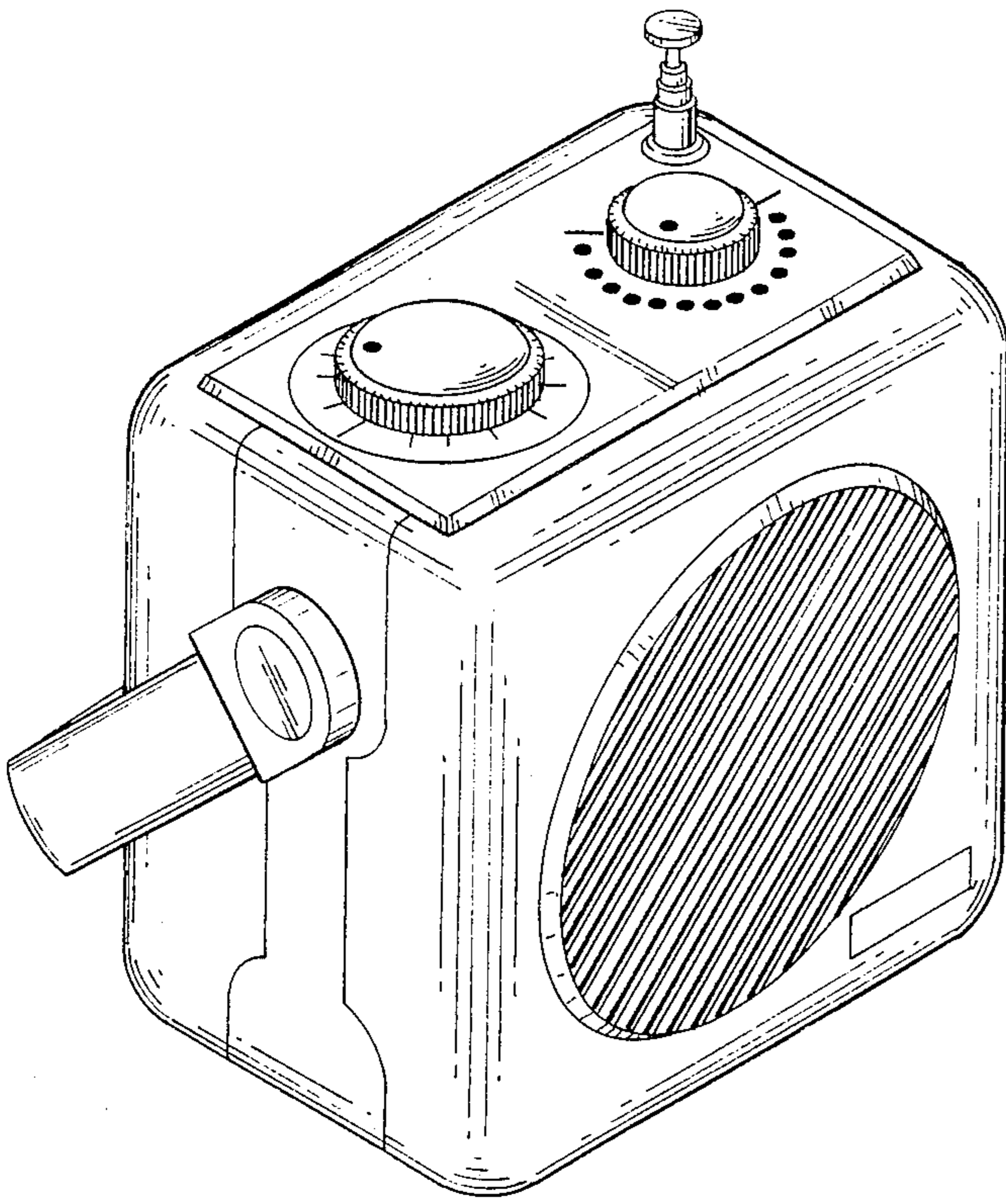


FIG - 1

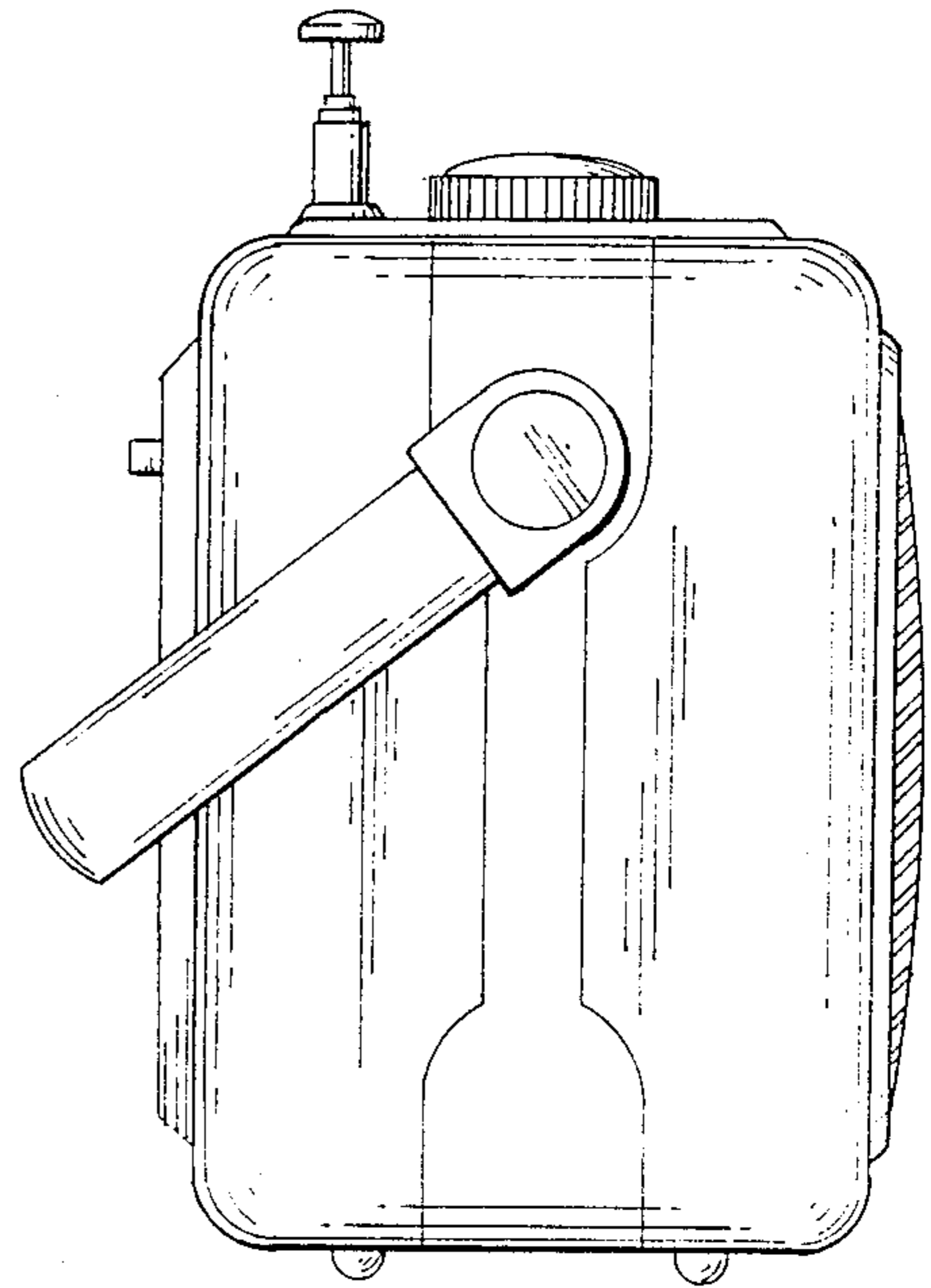
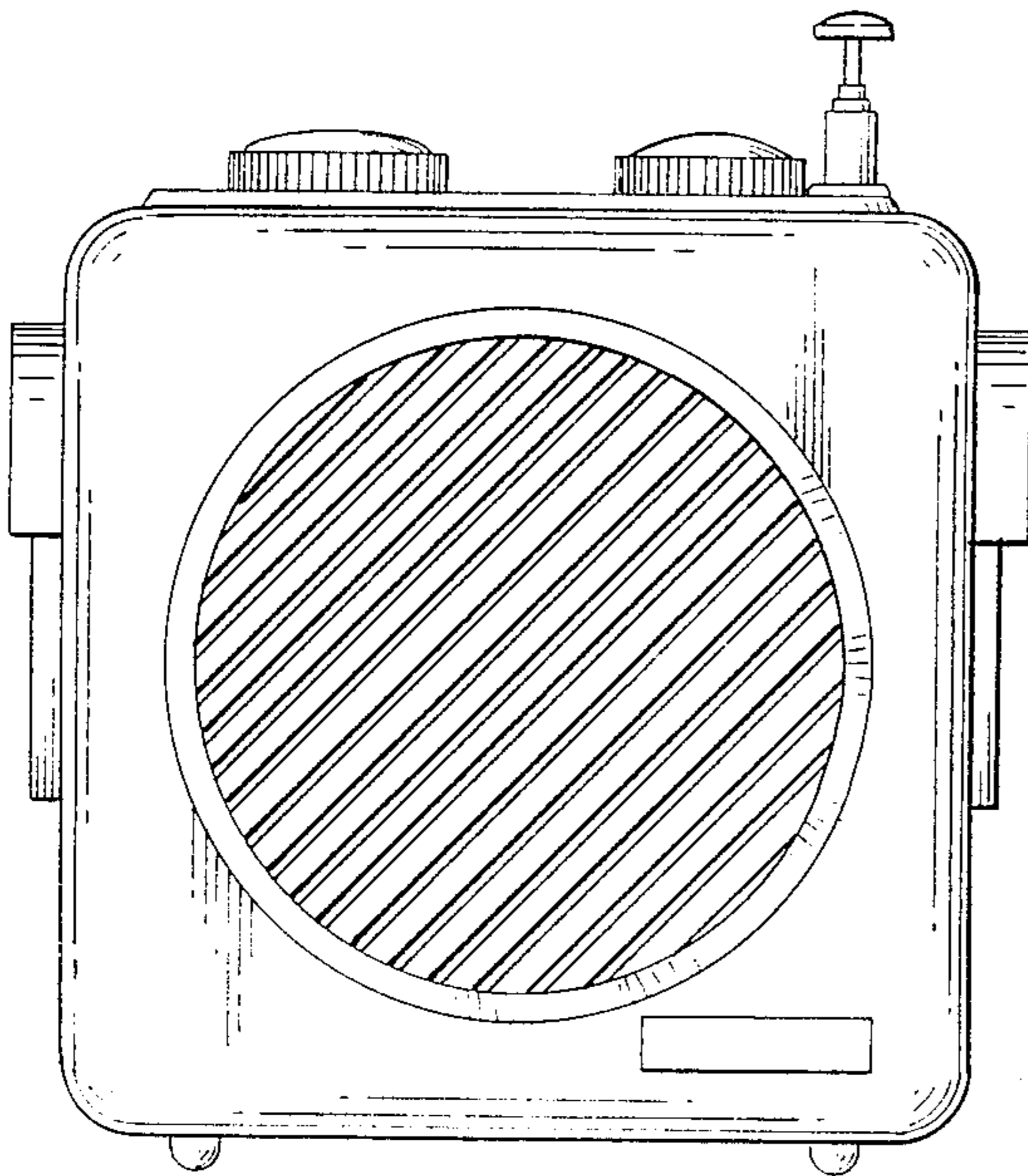


FIG - 3

FIG - 2



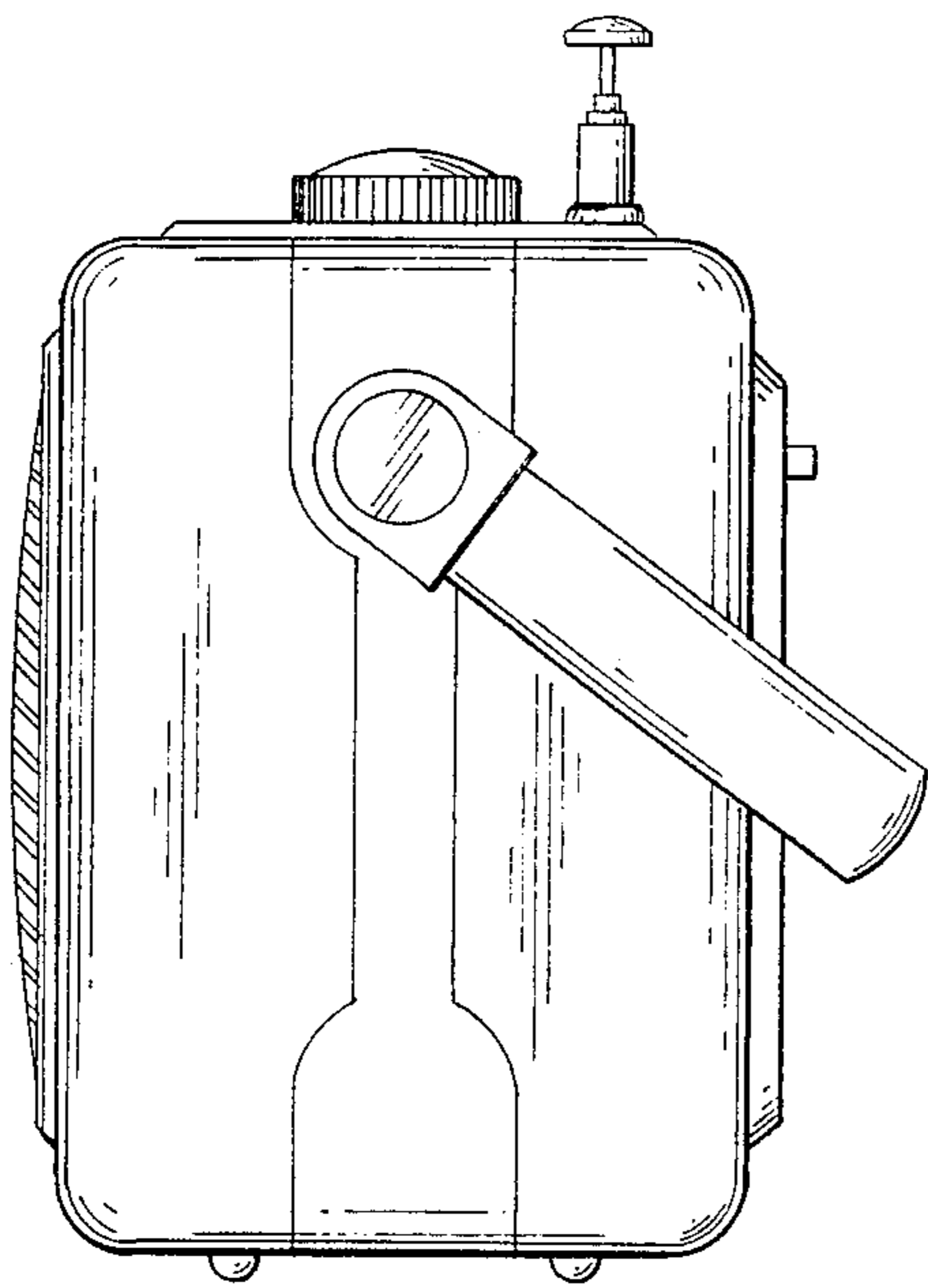


FIG - 4

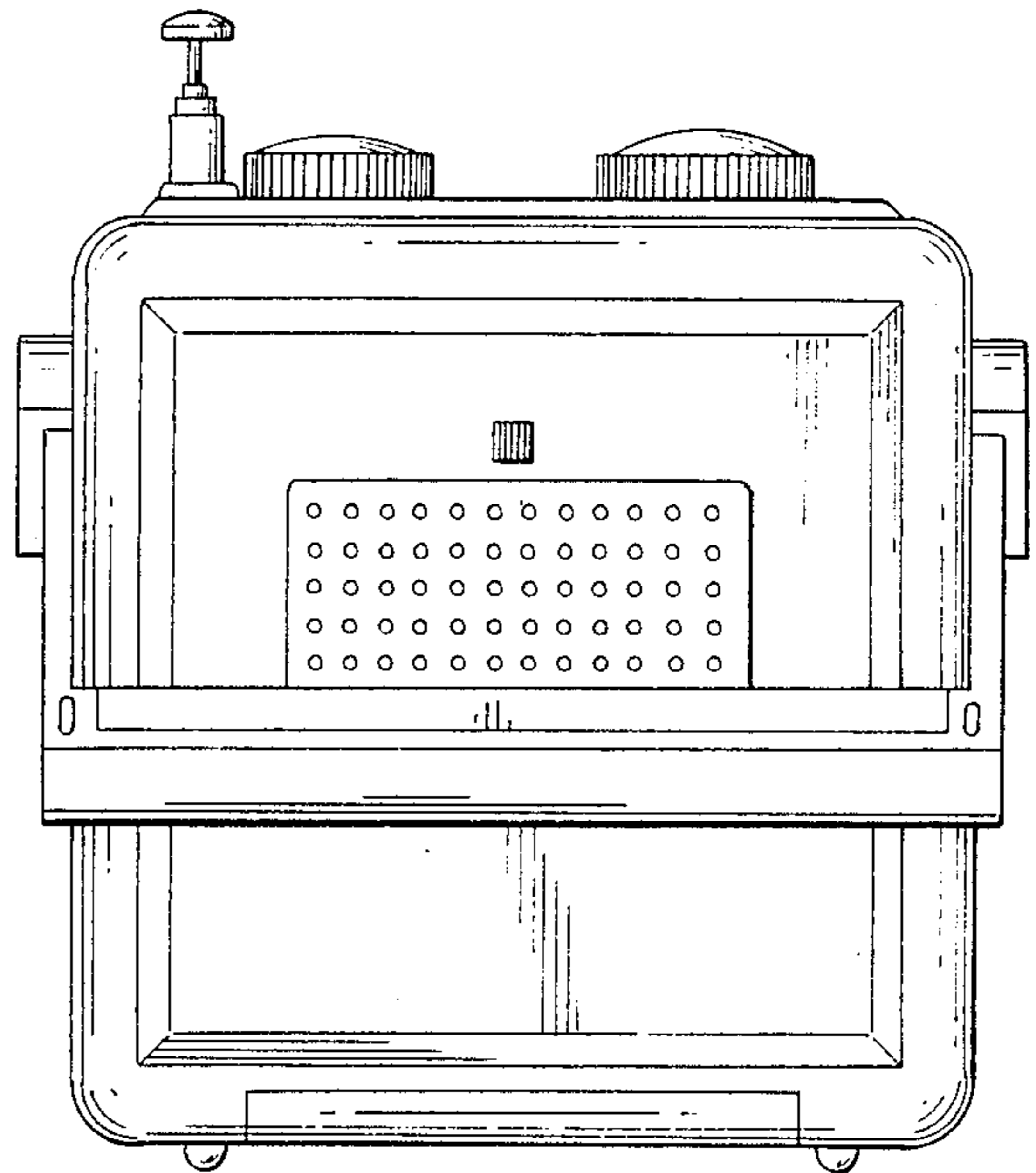


FIG - 5

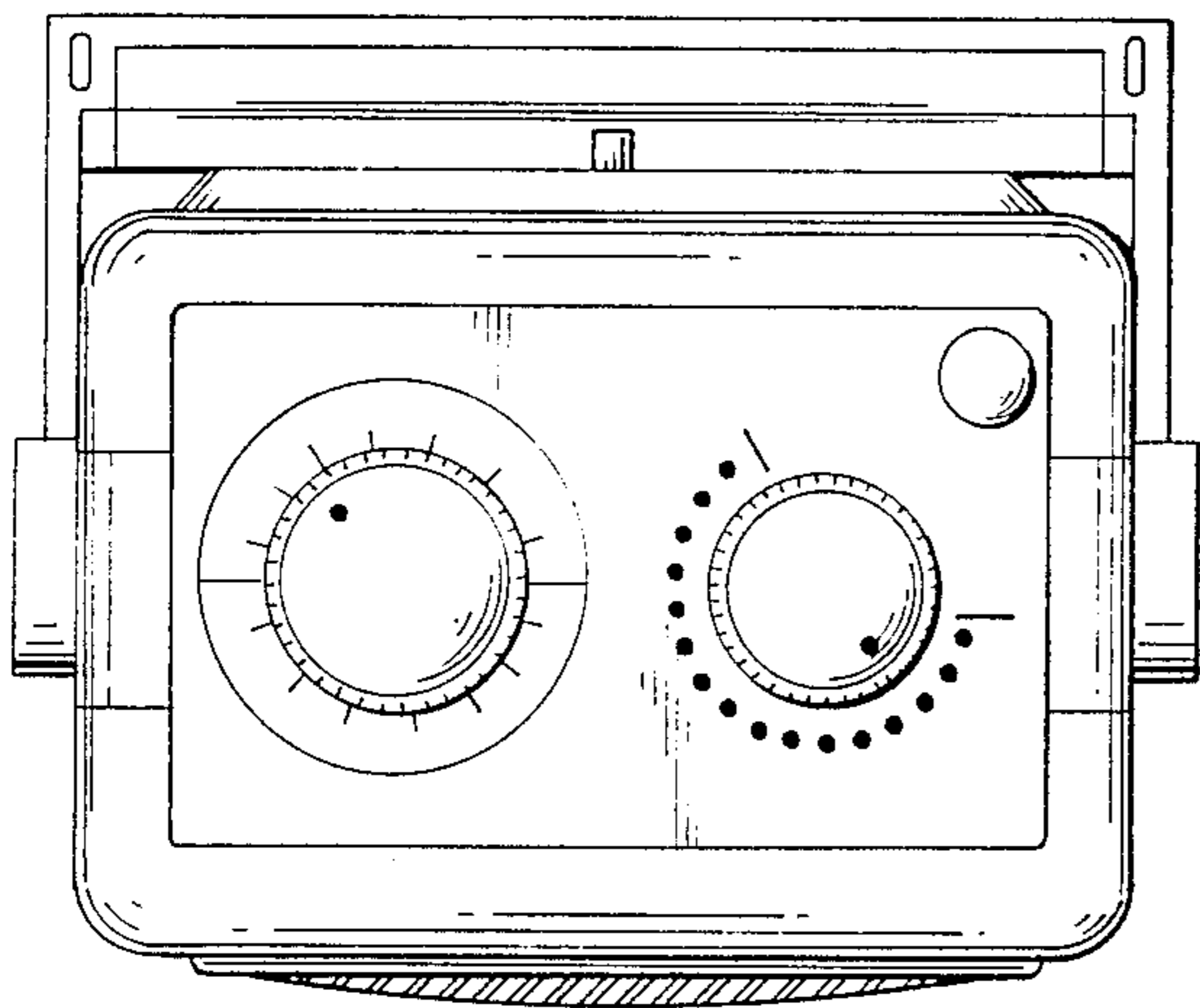


FIG - 6

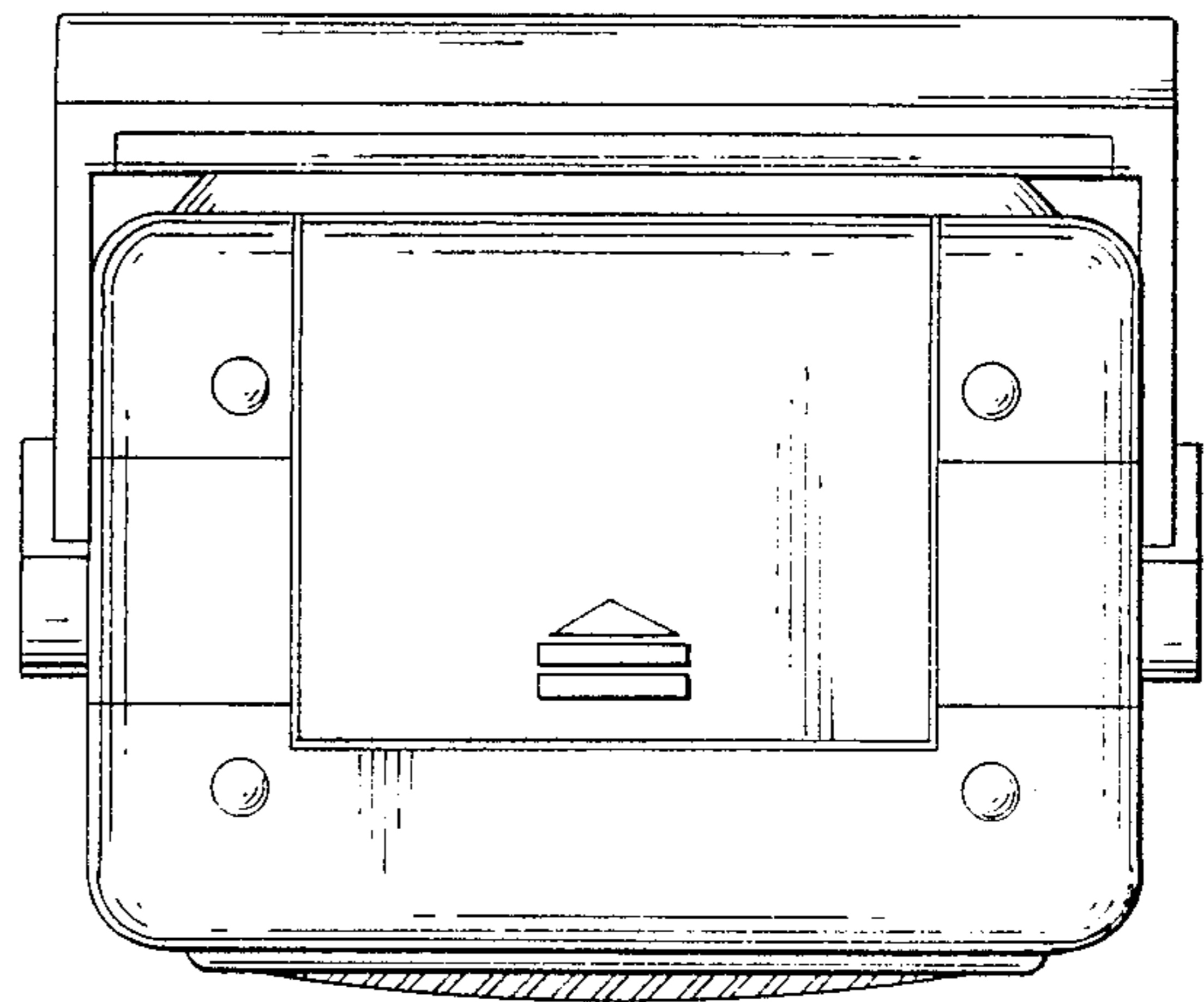


FIG - 7