

[54] RADIO OR THE LIKE

[75] Inventor: Pierre-Yves Azuolos, Paris, France

[73] Assignee: PYM, Inc., New York, N.Y.

[\*\*] Term: 14 Years

[21] Appl. No.: 158,159

[22] Filed: Feb. 19, 1988

[52] U.S. Cl. .... D14/188; D7/627

[58] Field of Search ..... D14/188-198,  
D14/163, 168; 455/344, 347, 350-351; 312/7.1;  
D3/30.1, 35, 76; D7/626, 627

[56] References Cited

U.S. PATENT DOCUMENTS

- D. 164,289 8/1951 Vry ..... D14/196
- D. 166,294 4/1952 Beck ..... D14/196

- D. 167,613 9/1952 Budlong ..... D14/195
- D. 249,979 10/1978 Fernandez ..... D3/76
- D. 266,846 11/1982 Hills ..... D14/198
- D. 288,320 2/1987 Roth et al. .... D14/196

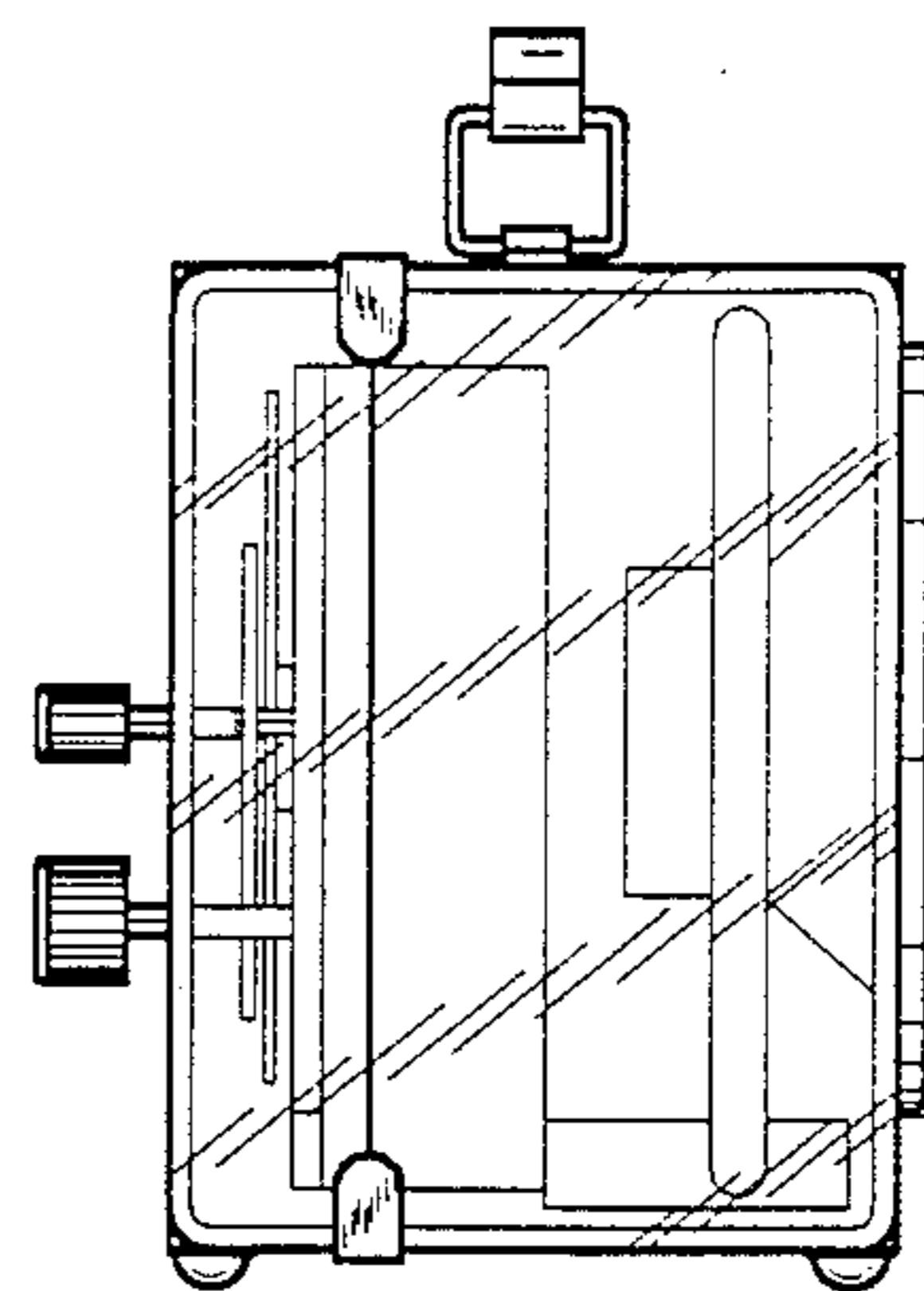
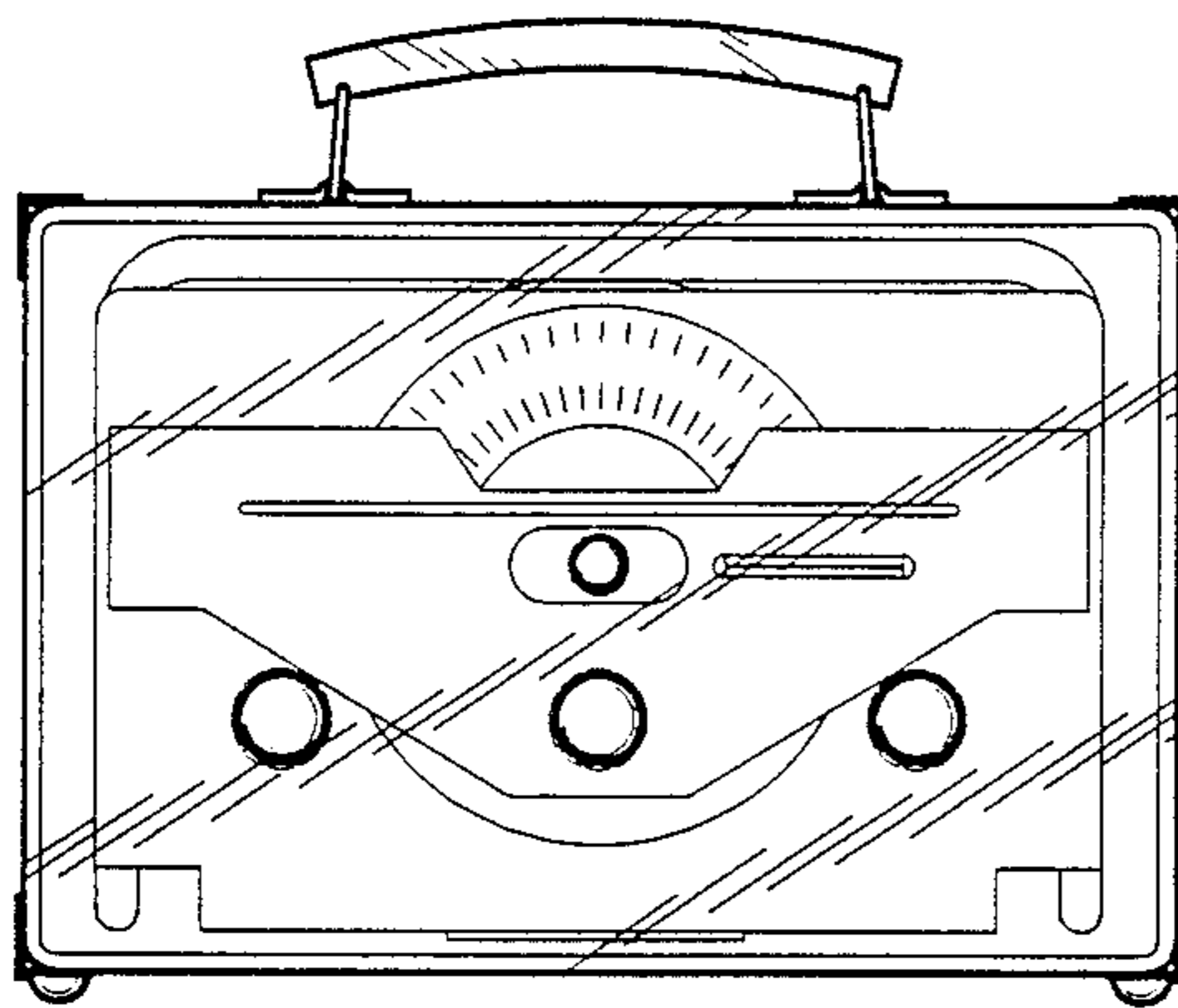
Primary Examiner—Theodore M. Shooman  
Attorney, Agent, or Firm—Jones, Day, Reavis & Pogue

[57] CLAIM

The ornamental design for a radio or the like, as shown and described.

DESCRIPTION

FIG. 1 is a front elevational view of a radio or the like showing my new design;  
 FIG. 2 is a top plan view thereof;  
 FIG. 3 is a rear elevational view thereof;  
 FIG. 4 is a right side elevational view thereof, the left side being a mirror image; and  
 FIG. 5 is a bottom plan view thereof.



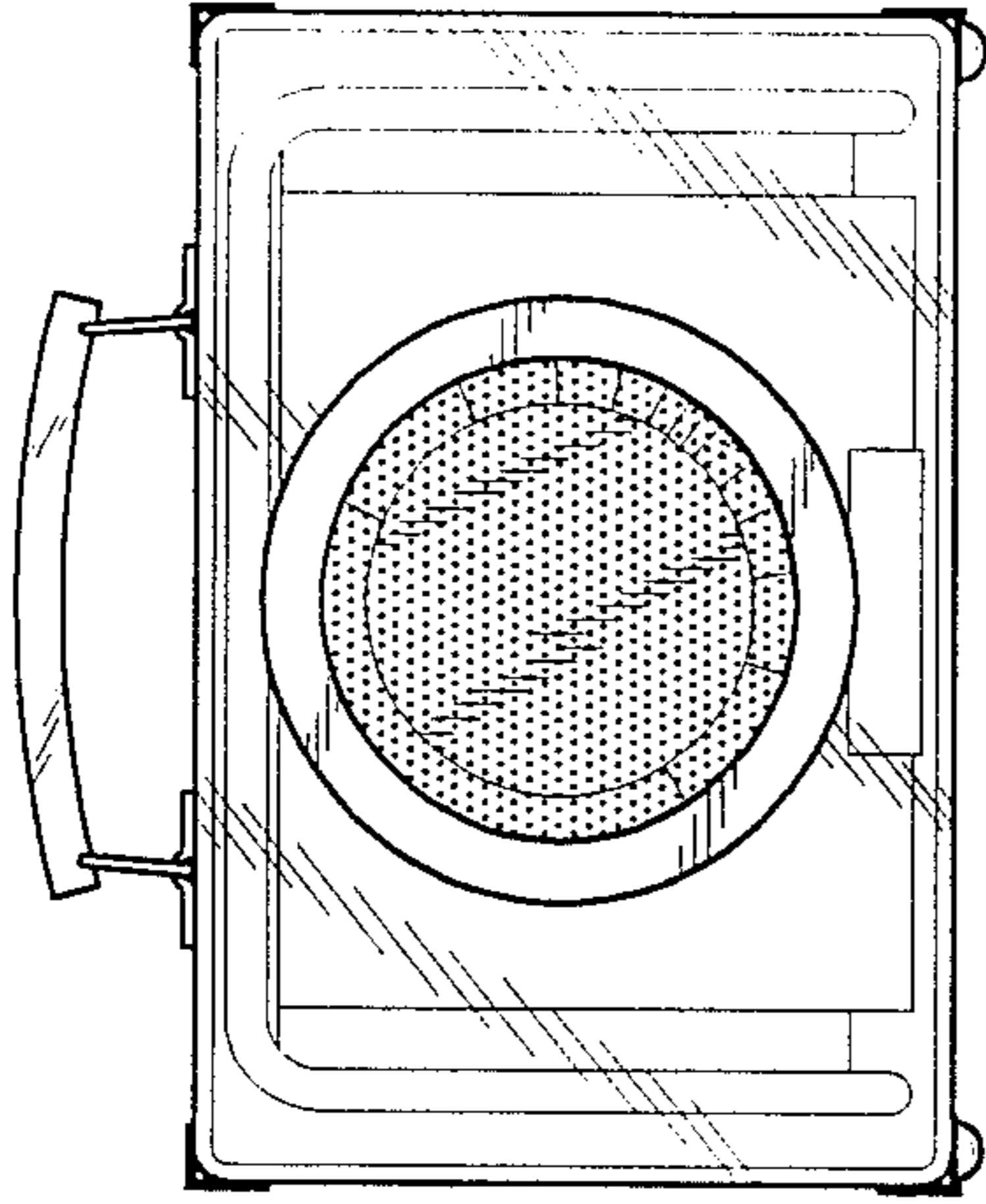


FIG.3

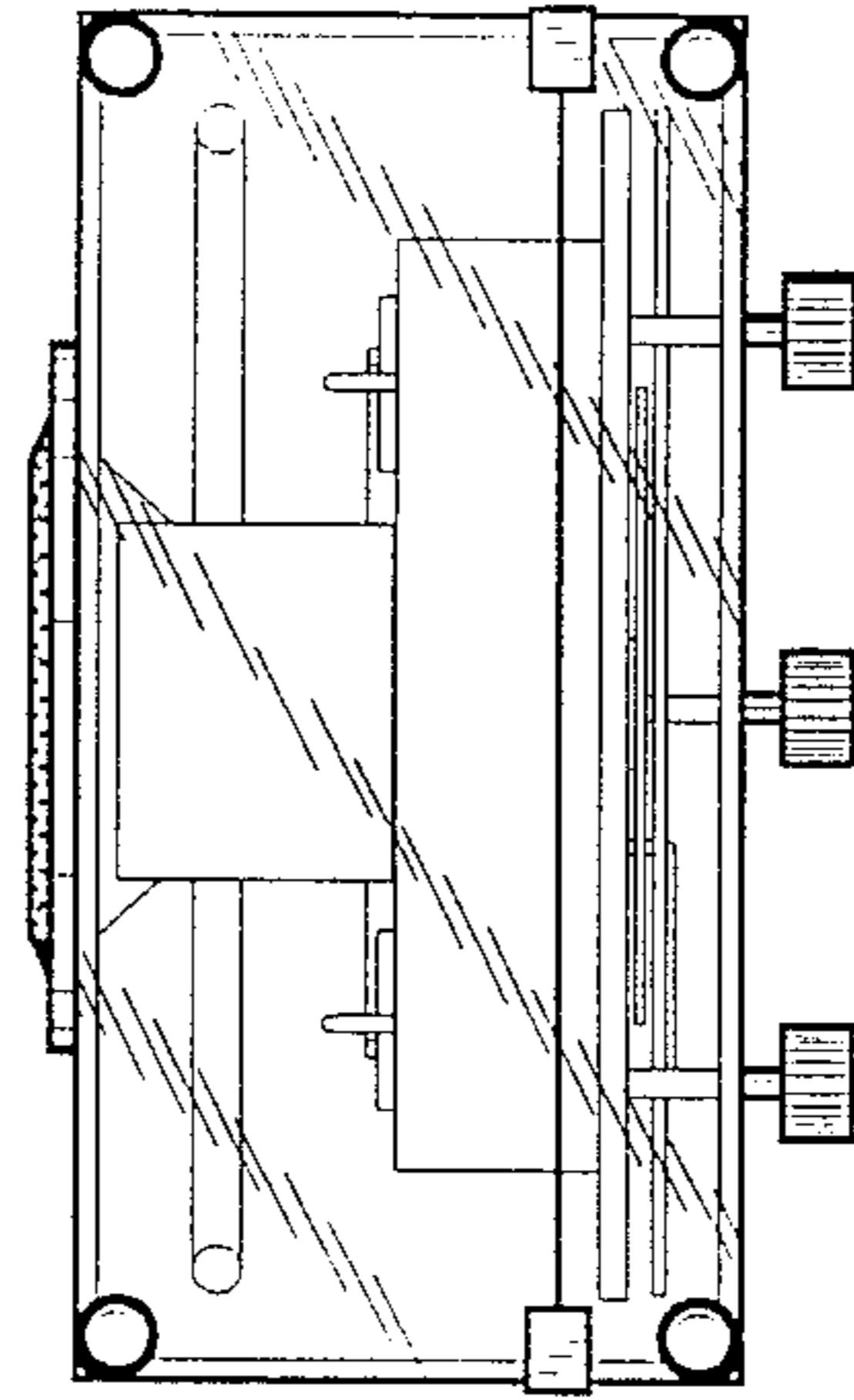


FIG.5

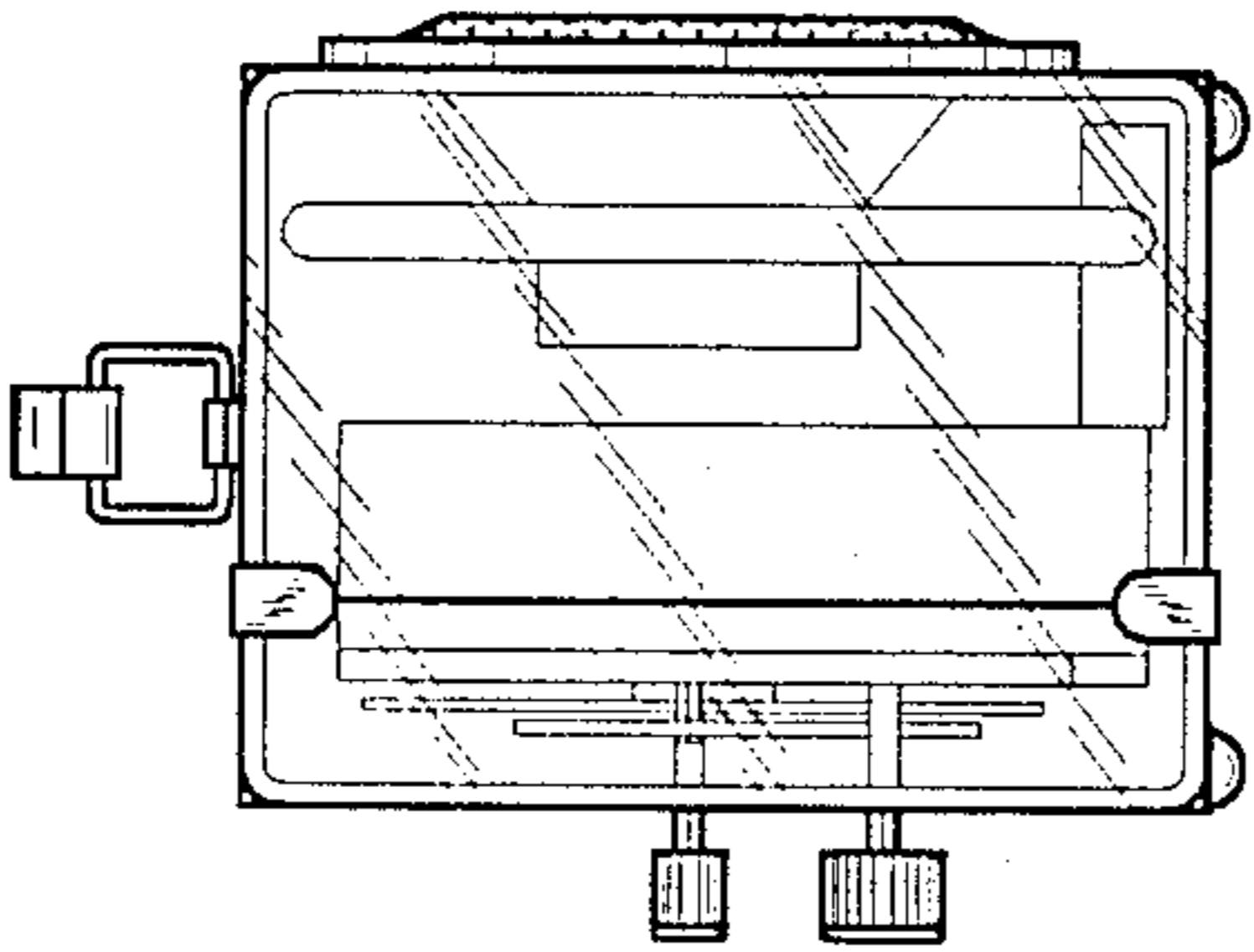


FIG.4

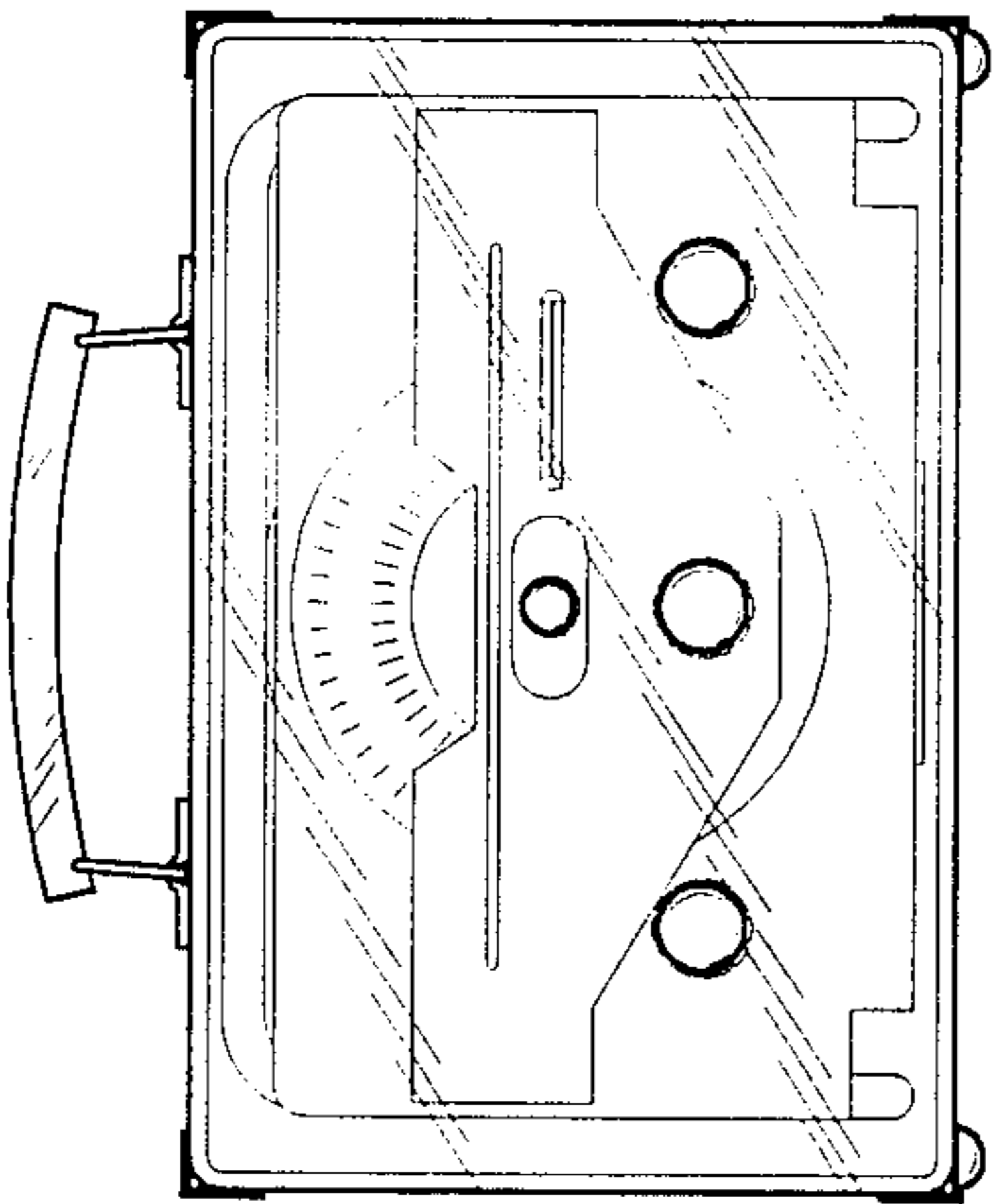


FIG.1

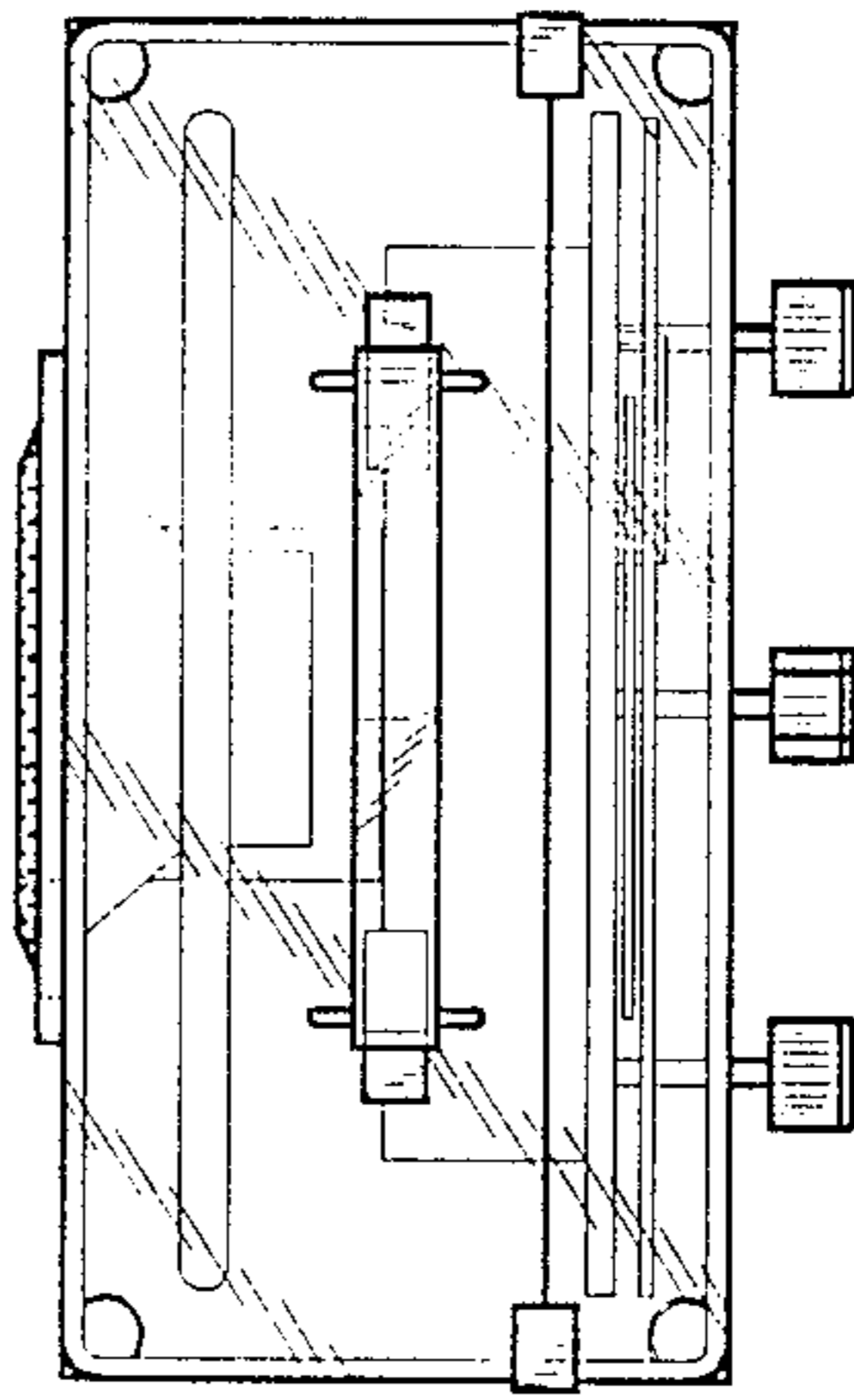


FIG.2