

[54] **COMPACT DISK PLAYER**

[75] **Inventor:** Yukinobu Funabashi, Tokyo, Japan

[73] **Assignee:** CBM Kabushiki Kaisha, Tokyo, Japan

[**] **Term:** 14 Years

[21] **Appl. No.:** 218,615

[22] **Filed:** Jul. 14, 1988

[52] **U.S. Cl.** D14/156; D14/165

[58] **Field of Search** D14/135-136,
 D14/156, 160-162, 164-165, 168-169, 173,
 257-258; 369/75.1, 77.1, 77.2

[56] **References Cited**

U.S. PATENT DOCUMENTS

D. 245,369	8/1977	Furuoka	D14/136
D. 268,670	4/1983	Iwaoka et al.	D14/136
D. 305,658	1/1990	Hosaka	D14/169
D. 306,589	3/1990	Murayama	D14/165
4,123,065	10/1978	Watanabe	369/77.1

OTHER PUBLICATIONS

Dealerscope Merchandising; Sep. 1987; p. 54; bottom left—Toshiba XR-9437.

Dealerscope Merchandising; Sep. 1987; p. 54; bottom right—Sony D-160.

“CBM 777 Compact Disc Player” advertising brochure, 1 page, front & back.

“Citizen CBM 3000” advertising brochure, 1 page, front and back, 1988.

“Citizen CBM 2000” advertising brochure, 1 page, front and back, 1988.

“Sony Casual Audio—1988 Uttori Sound, Sony”, advertising brochure, 6-page booklet, 1988.

Primary Examiner—Theodore M. Shooman

Attorney, Agent, or Firm—Cushman, Darby & Cushman

[57] **CLAIM**

The ornamental design for a compact disk player, as shown and described.

DESCRIPTION

FIG. 1 is a front, right side and bottom perspective view of a compact disk player showing my new design; FIG. 2 is a front elevational view thereof; FIG. 3 is a left side elevational view thereof; FIG. 4 is a right side elevational view thereof; FIG. 5 is a top plan view thereof; FIG. 6 is a bottom plan view thereof; FIG. 7 is a rear elevational view thereof; and FIG. 8 is a front, right side and bottom perspective view thereof with the lid in an opened position.

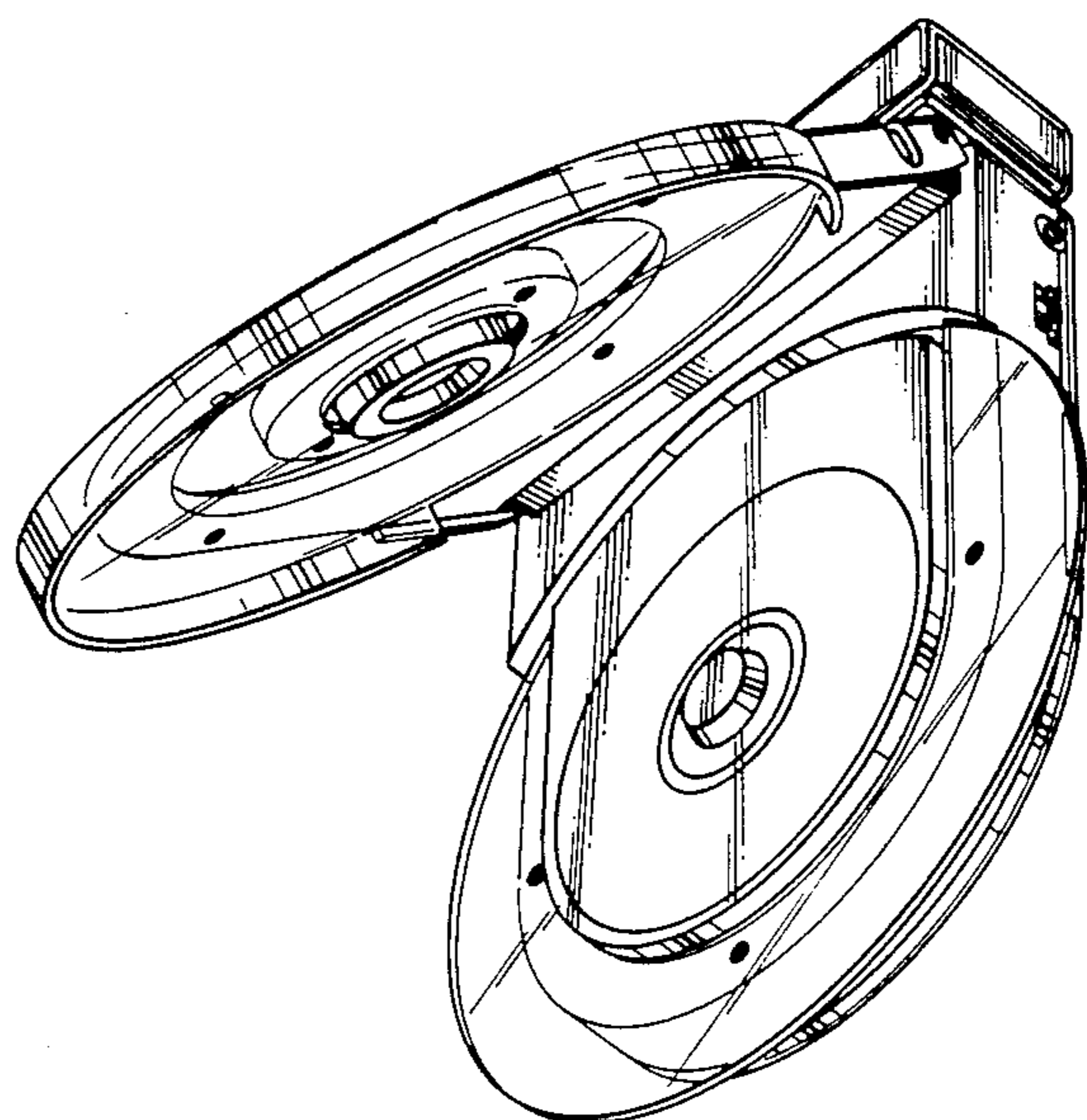
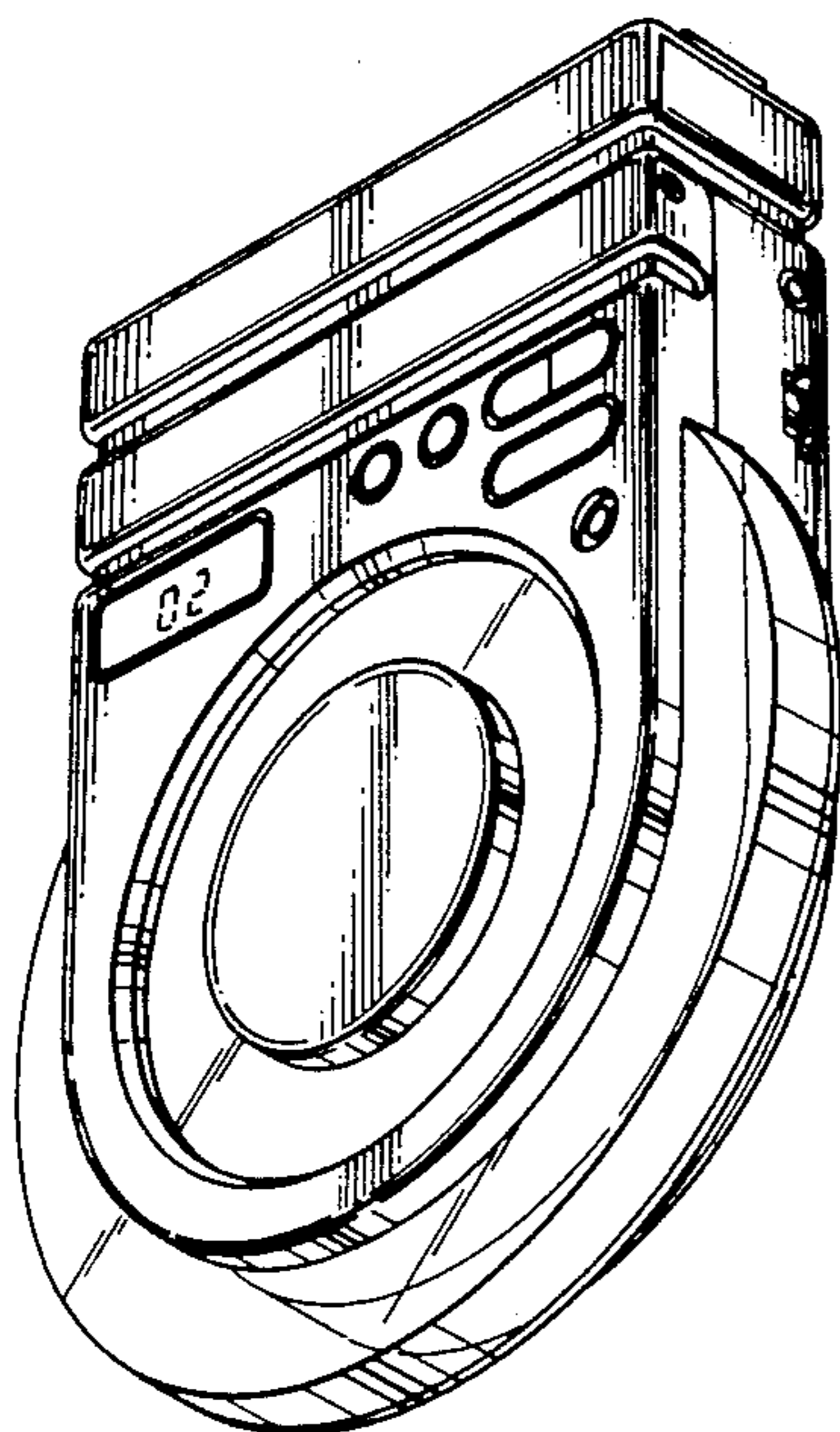


FIG. 1

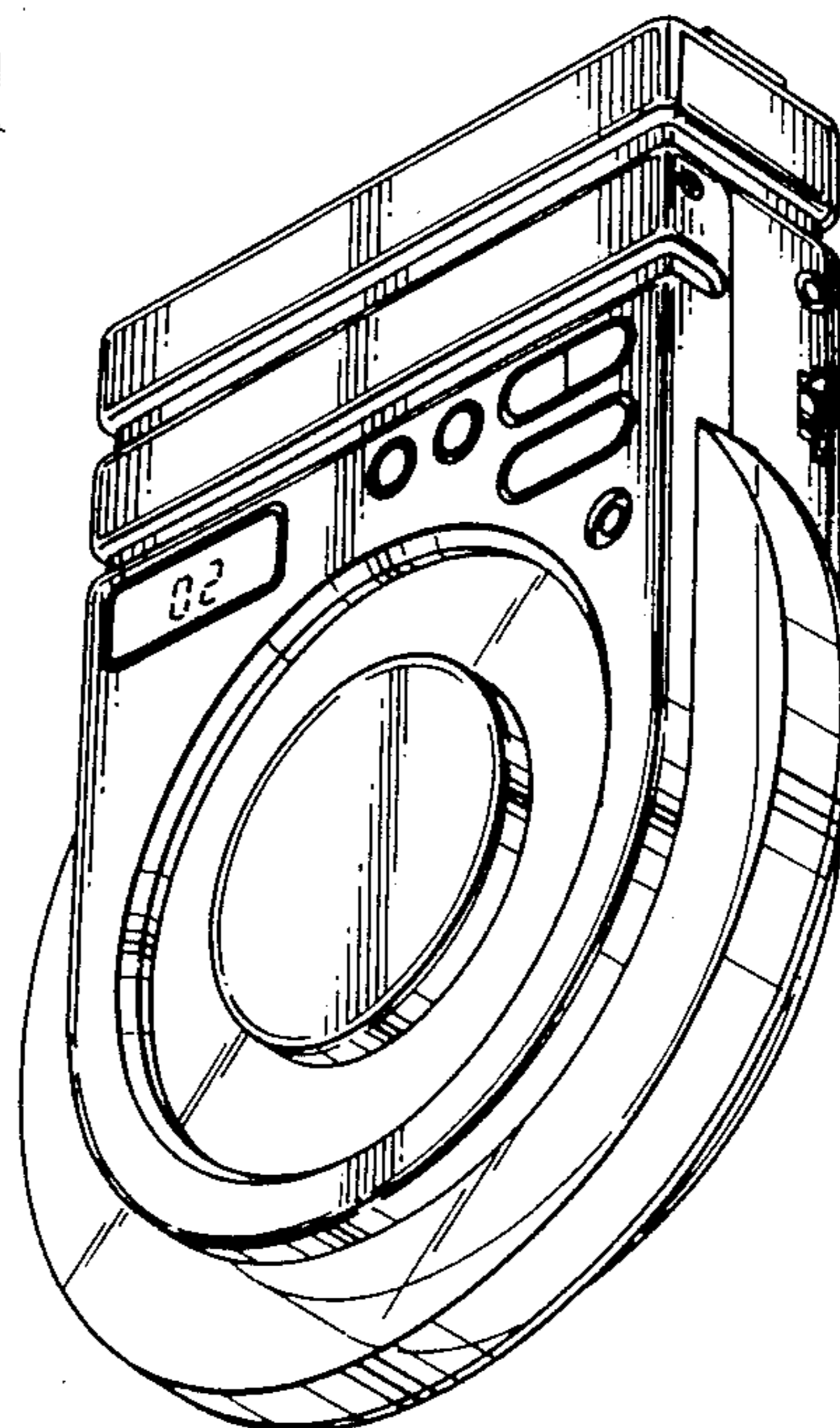


FIG. 2

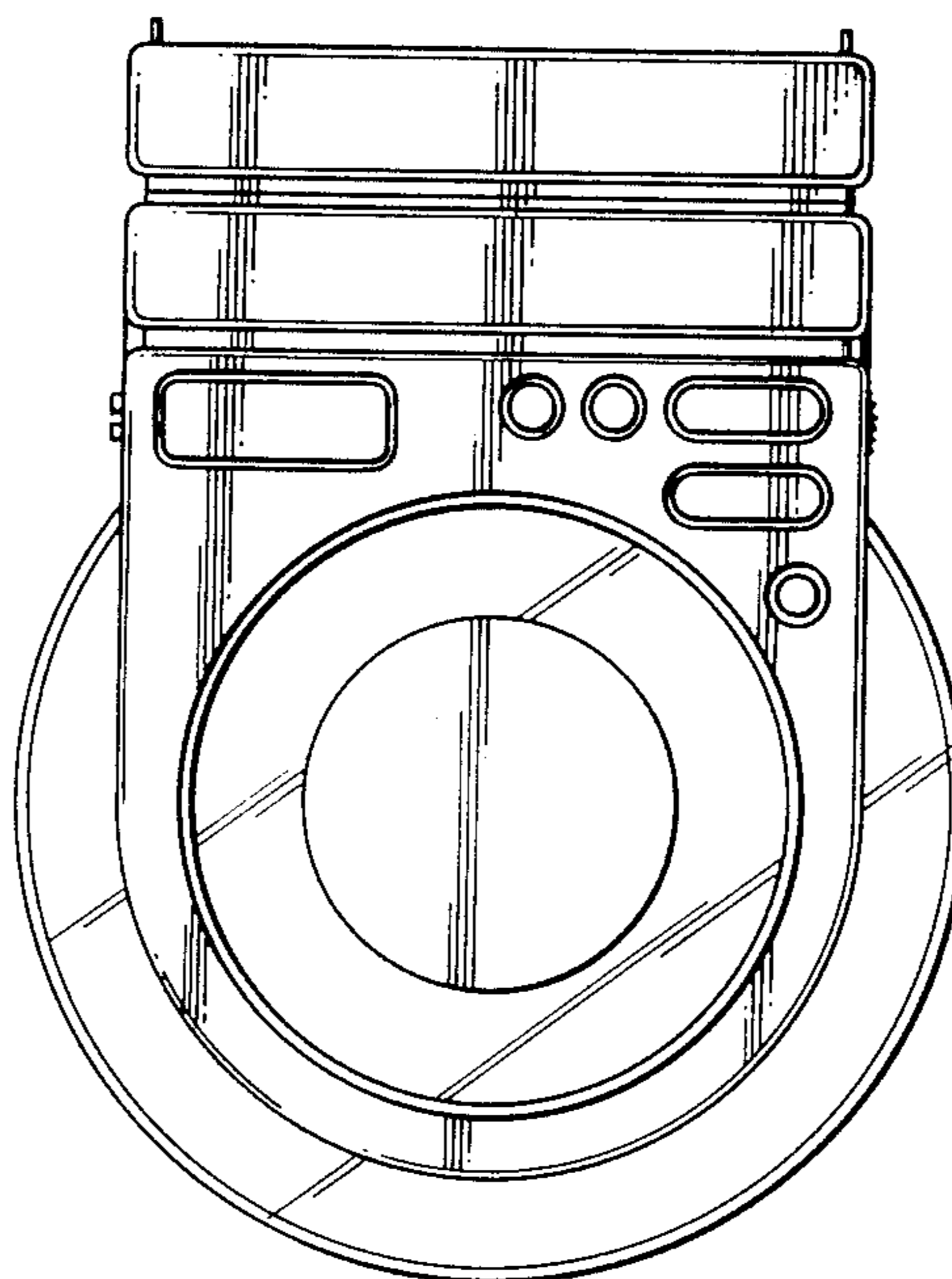


FIG. 3

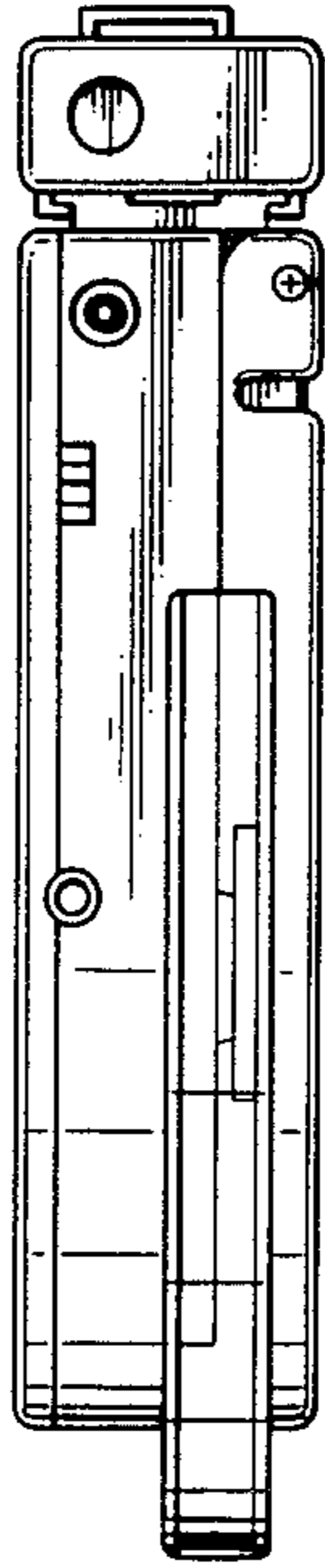


FIG. 4



FIG. 5

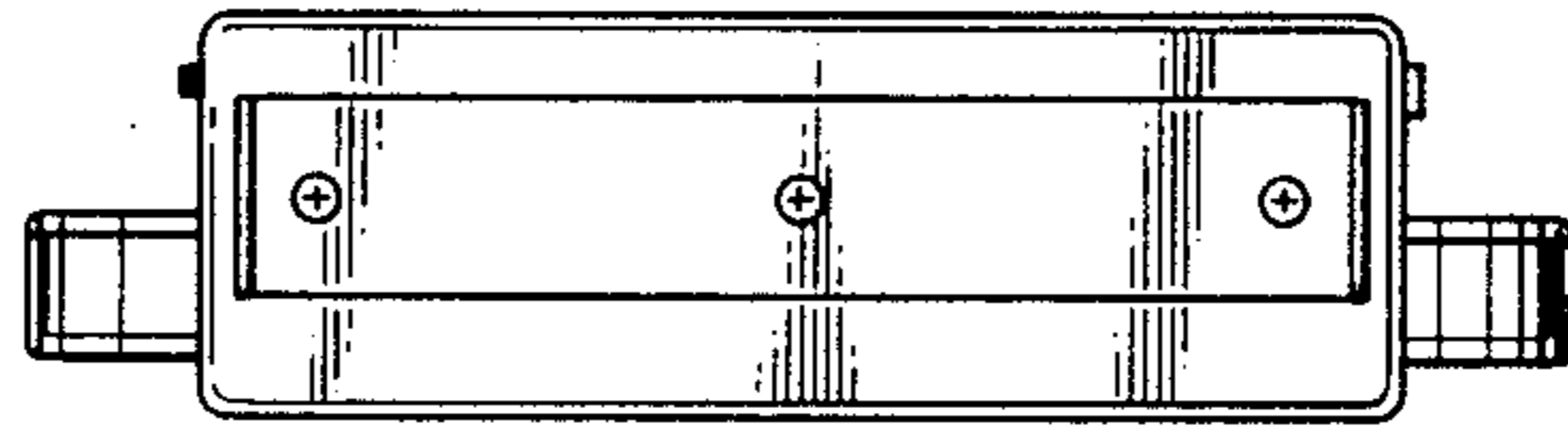


FIG. 6

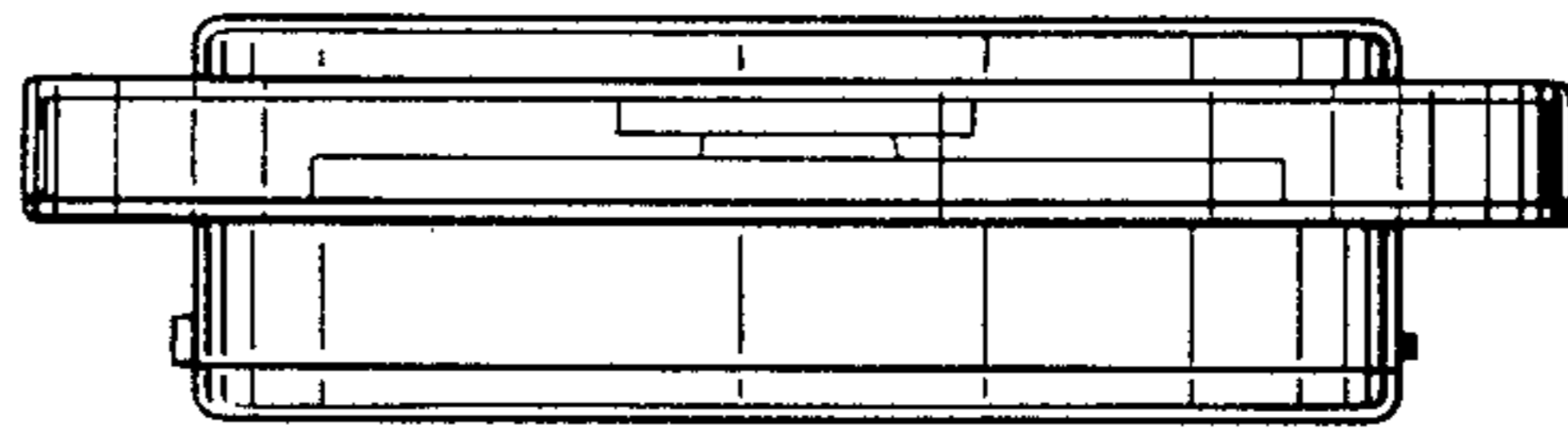


FIG. 7

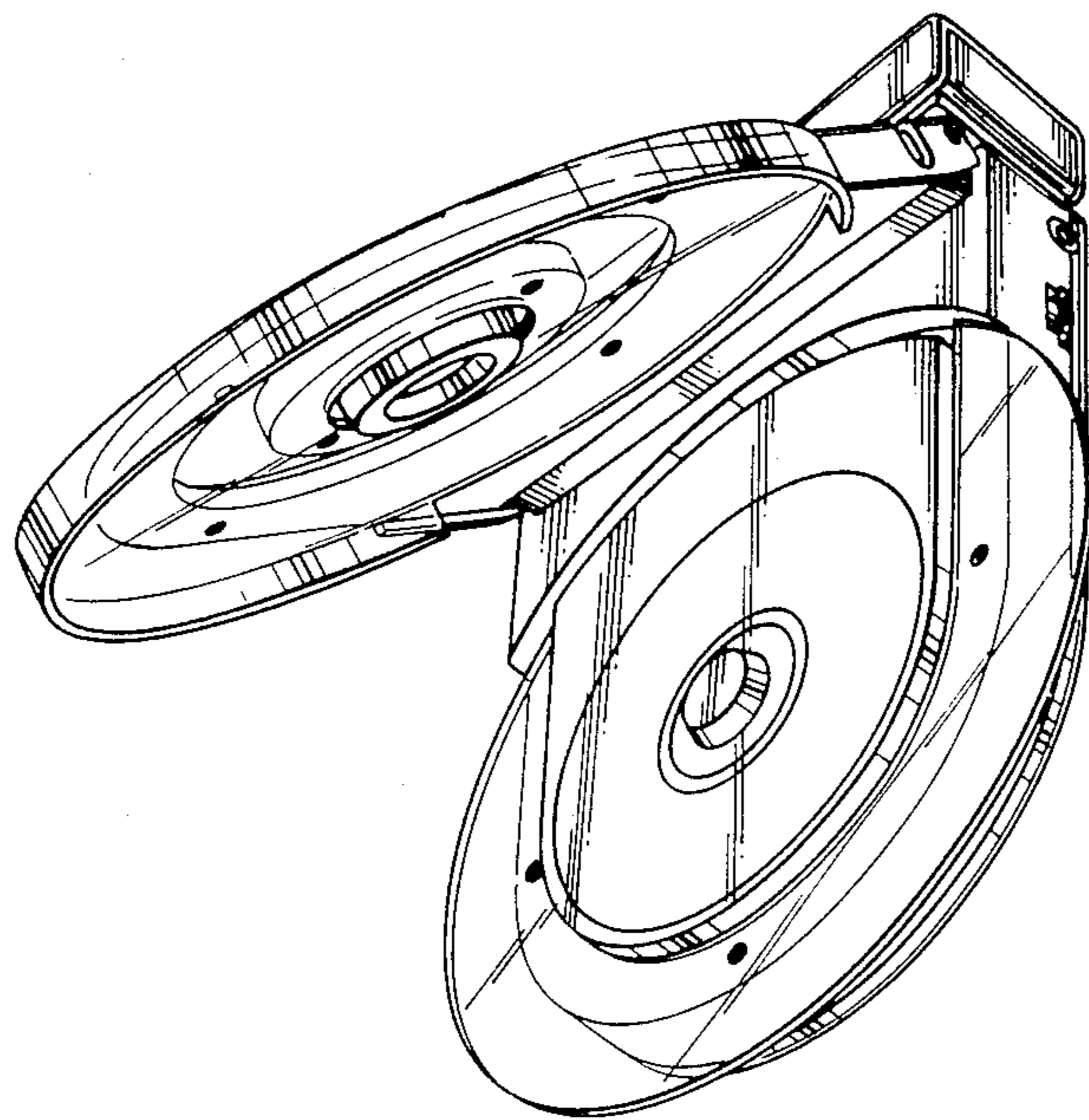
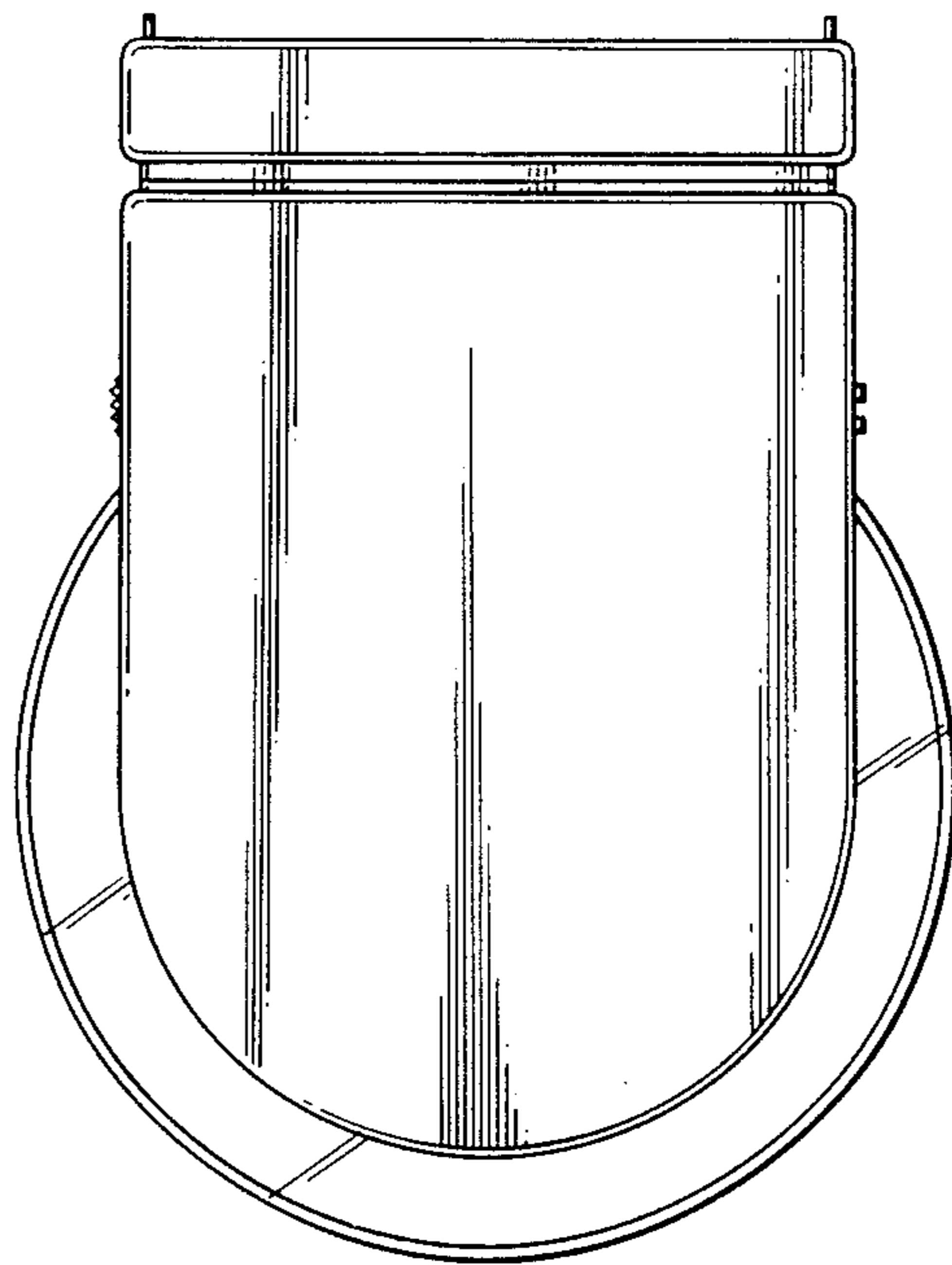


FIG. 8

UNITED STATES PATENT AND TRADEMARK OFFICE
CERTIFICATE OF CORRECTION

PATENT NO. : Des. 313,018

DATED : Dec. 18, 1990

INVENTOR(S) : Yukinobu Funahashi

It is certified that error appears in the above-identified patent and that said Letters Patent is hereby corrected as shown below:

On the title page, under item [19], "Funabashi" should be --Funahashi--;

On the title page, in item [75], please change
" [75] Inventor: Yukinobu Funabashi, Tokyo, Japan " to
-- [75] Inventor: Yukinobu Funahashi, Tokyo, Japan --.

Signed and Sealed this
Nineteenth Day of May, 1992

Attest:

DOUGLAS B. COMER

Attesting Officer

Acting Commissioner of Patents and Trademarks