

[54] MULTIPLEXER BAY FOR DATA COMMUNICATION SYSTEMS

2571183 4/1986 European Pat. Off. 361/331

[75] Inventor: William D. Krietzman, Beaverton, Oreg.

[73] Assignee: Harris Corporation, Melbourne, Fla.

[**] Term: 14 Years

[21] Appl. No.: 882,669

[22] Filed: Jul. 7, 1986

[52] U.S. Cl. D14/100; D13/184

[58] Field of Search D14/100-117; D13/40, 41, 32, 24, 12, 4, 10, 13, 34; D18/1, 2, 5, 6, 7, 8, 11, 13; 360/97, 98, 99, 132, 133, 99.02; 361/330, 331, 334, 335, 332, 348, 352, 380, 381, 390-395, 379, 384, 415, 426, 358, 2, 4, 9; 312/299, 304, 208, 270, 275, 253; 211/41, 26, 126; 174/50, 52 R; 200/5 A, 5 R, 6 A, 6 R; 235/375; 364/708

[56] References Cited

U.S. PATENT DOCUMENTS

4,742,477 5/1988 Phillips et al. 364/708

FOREIGN PATENT DOCUMENTS

3412593 10/1985 European Pat. Off. 361/390

OTHER PUBLICATIONS

Computer Design, Jan. 1981, p. 47 (Multiplexer).
Computer Design, Apr. 5, 1983, p. 201 (VME Bus Multiplexer top right of page).
Schroff Inc.—Information, Sep. 1984, p. 4 (Large Multiplexer in rear).

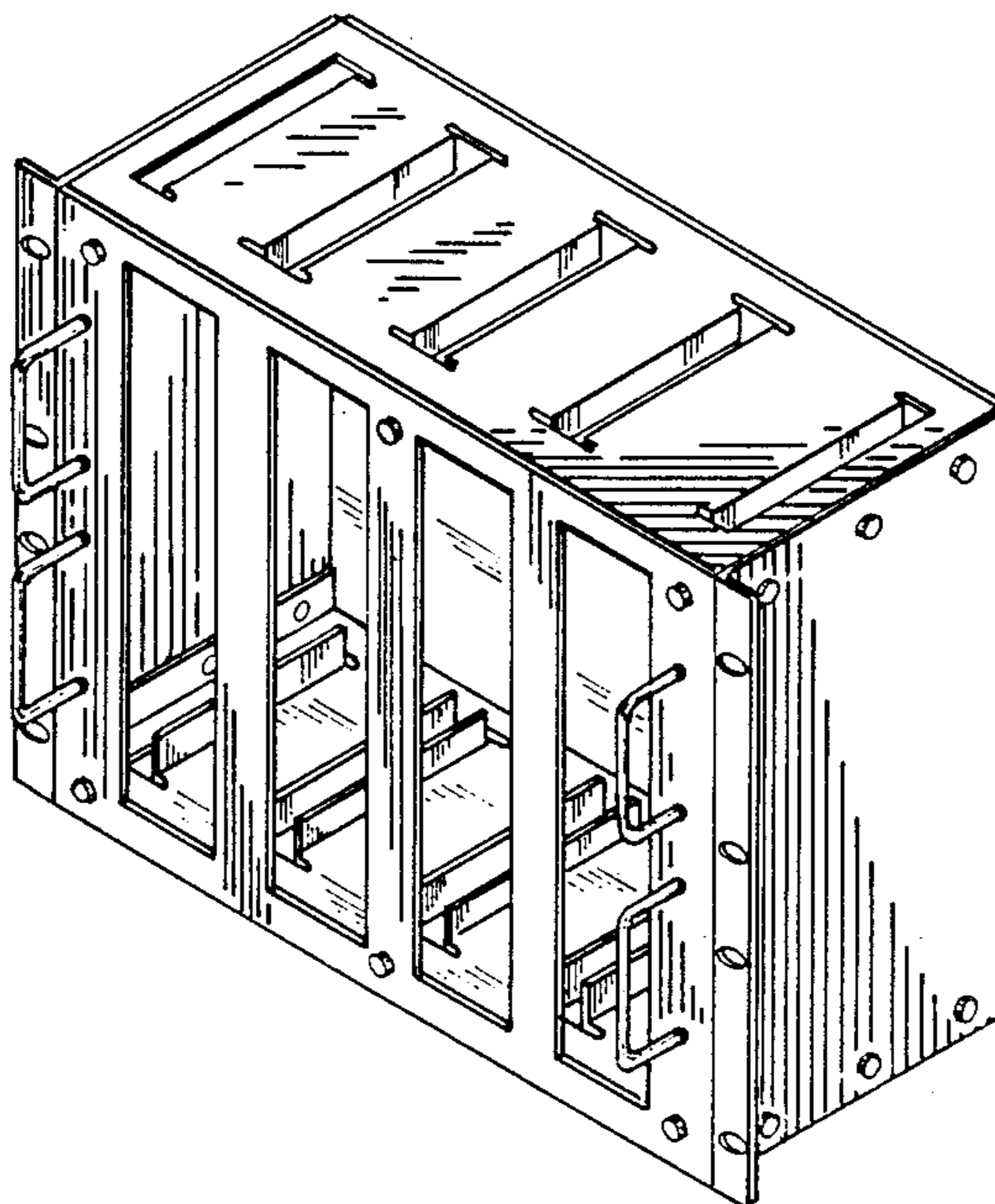
Primary Examiner—Susan J. Lucas
Assistant Examiner—Freda S. Nunn
Attorney, Agent, or Firm—Harry M. Fleck

[57] CLAIM

The ornamental design for multiplexer bay for data communication systems, as shown and described.

DESCRIPTION

FIG. 1 is a top front perspective view of the multiplexer bay for data communication systems showing my new design;
FIG. 2 is a front elevational view thereof on a greatly enlarged scale;
FIG. 3 is a right side elevational view thereof on an enlarged scale, the left side being a mirror image;
FIG. 4 is a top, plan view thereof on an enlarged scale, the bottom being a mirror image;
FIG. 5 is a rear elevational view thereof on an enlarged scale.



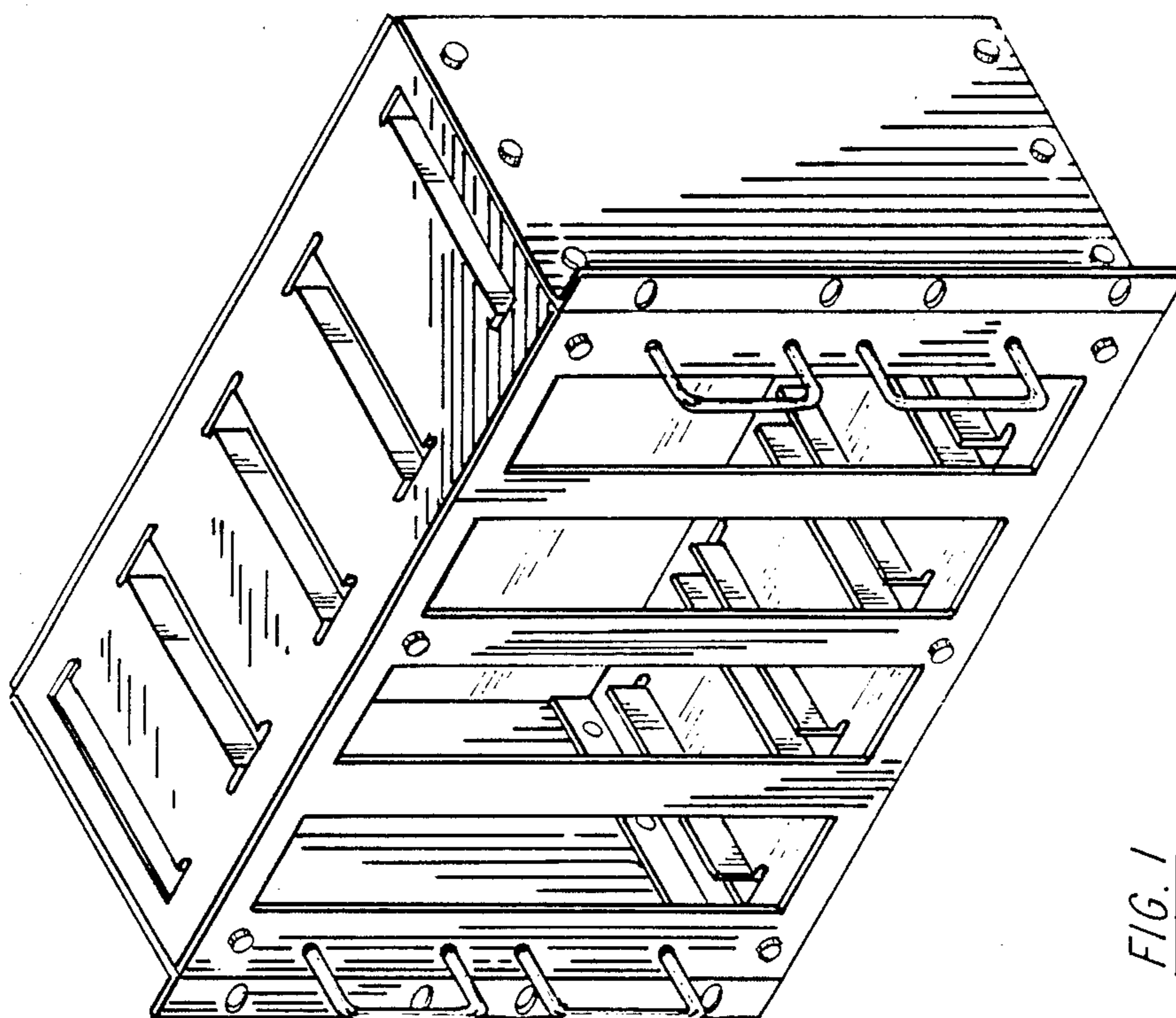


FIG. 1

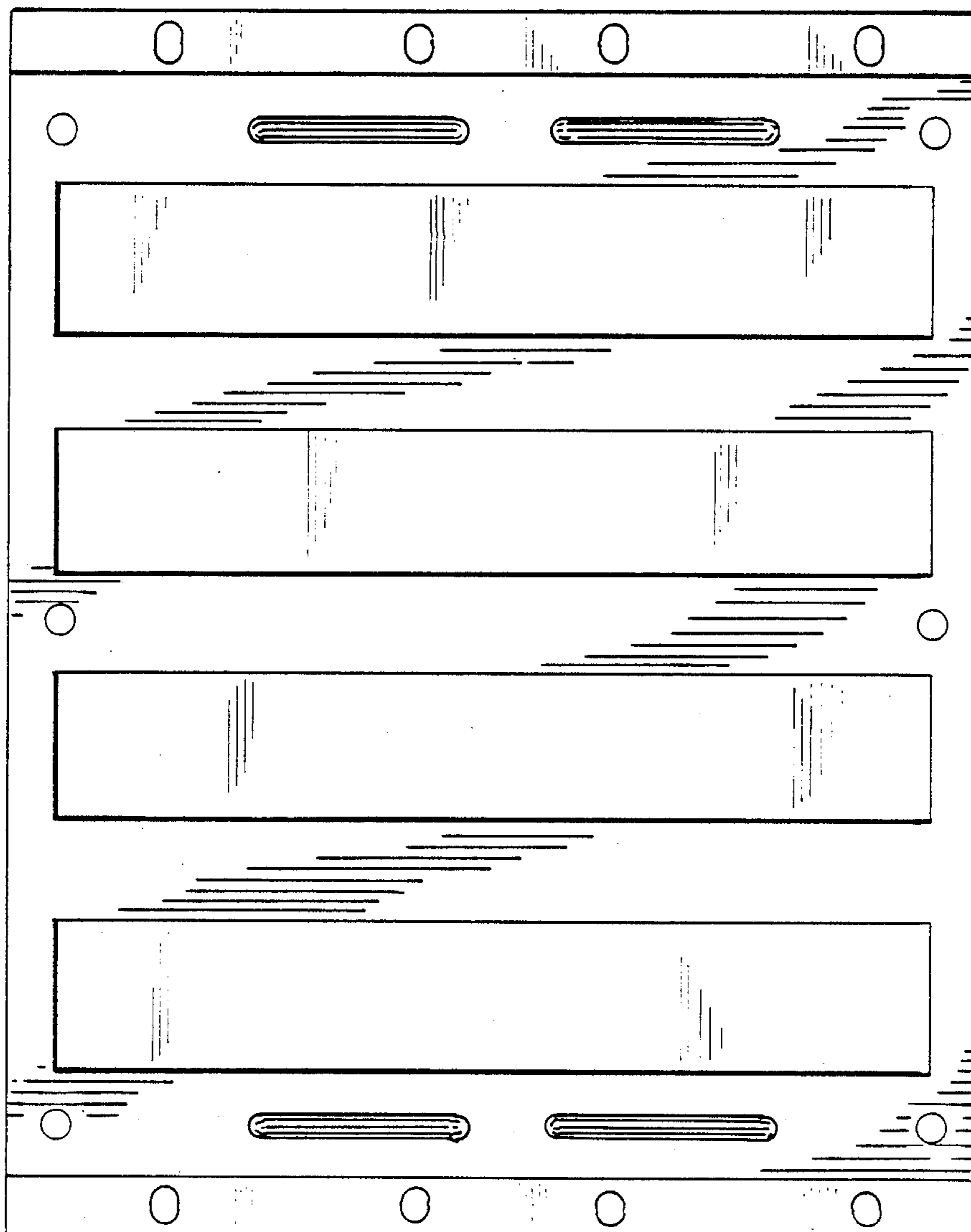


FIG. 2

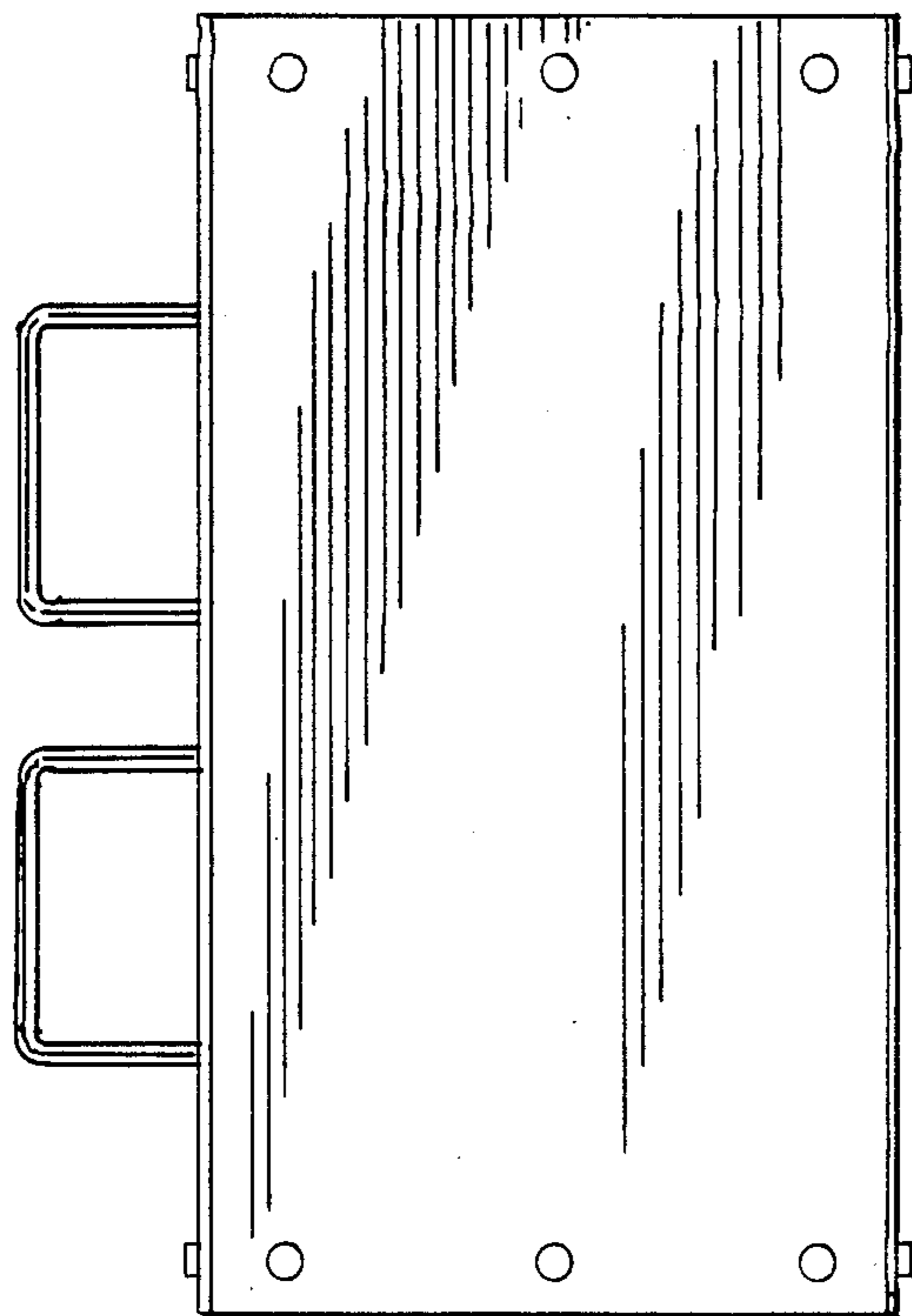


FIG. 3

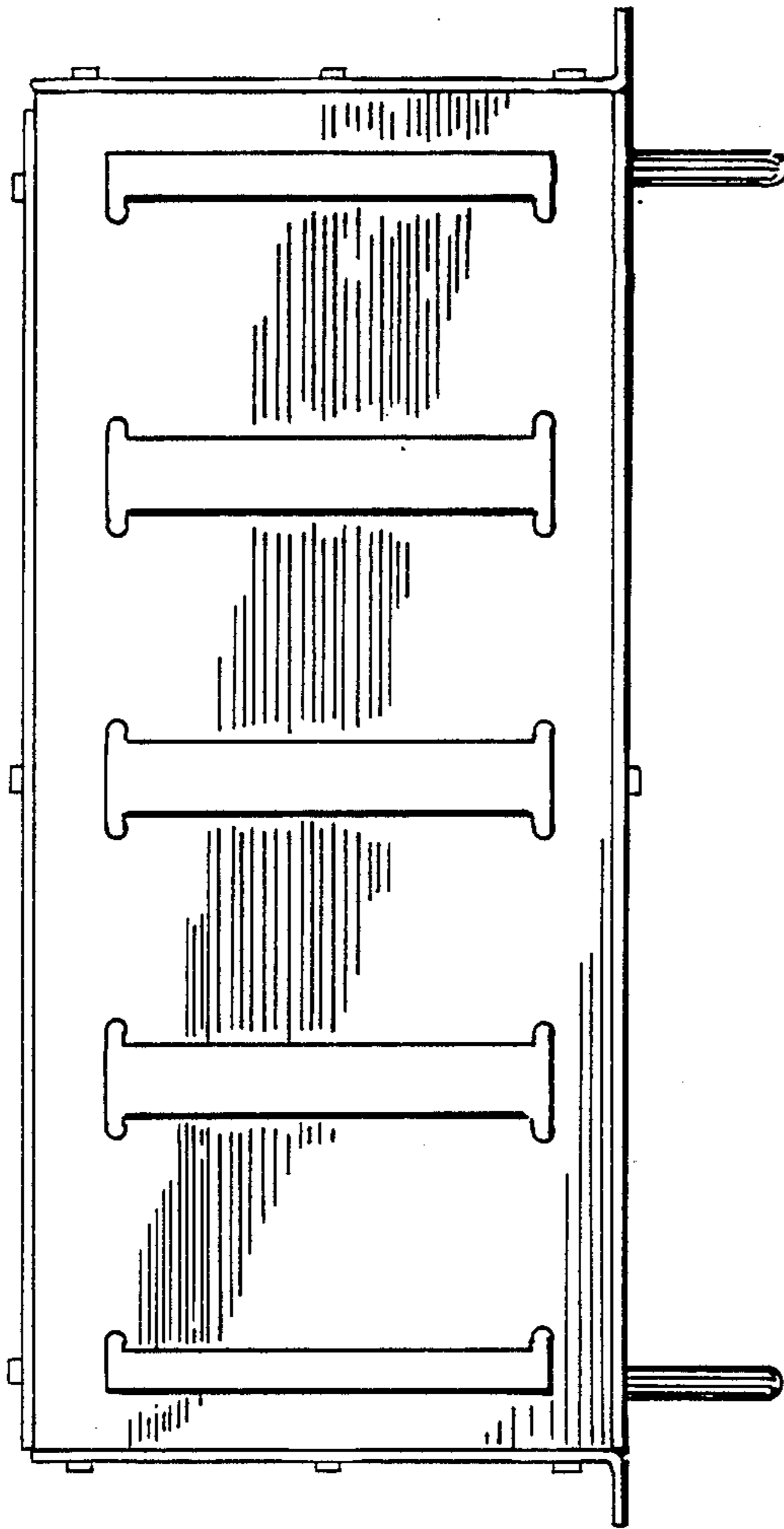


FIG. 4

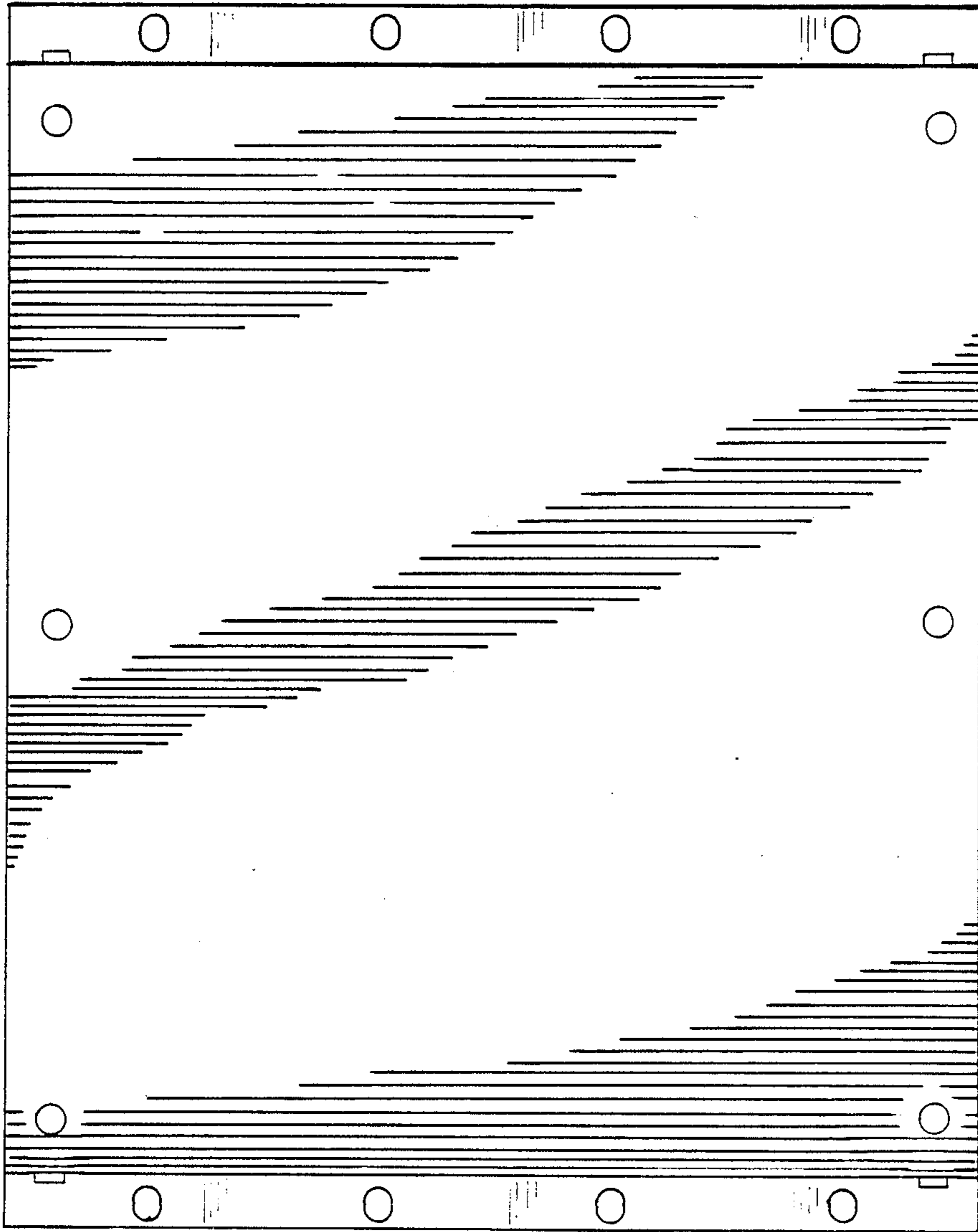


FIG. 5