

[54] PRINTED-CIRCUIT BOARD CONNECTOR

[75] Inventor: Masaru Nakamura, Funabashi, Japan

[73] Assignee: Hirose Electric Co., Ltd., Tokyo, Japan

[\*\*] Term: 14 Years

[21] Appl. No.: 120,514

[22] Filed: Nov. 13, 1987

[30] Foreign Application Priority Data

May 18, 1987 [JP] Japan ..... 62-19459  
[52] U.S. Cl. .... D13/147  
[58] Field of Search ..... D13/133, 146, 147;  
439/92, 353, 354, 395

[56] References Cited

U.S. PATENT DOCUMENTS

Re. 32,502 9/1987 Kumar ..... 439/92  
D. 305,224 12/1989 Iwashita ..... D13/147

FOREIGN PATENT DOCUMENTS

0180284 5/1986 European Pat. Off. .... 439/92

OTHER PUBLICATIONS

Champ Right Angle PC Board Connector on p. 13 of Digi-Key catalog, 852, Mar. 1985.

Allied Right Angle Receptacles on p. 154 of Allied cat. No. 856 ©1985.

Allied Fixed Contact Rt. Angle Dip on p. 152 of Allied cat. No. 856 ©1985.

Primary Examiner—Susan J. Lucas

Assistant Examiner—Joel Sincavage

Attorney, Agent, or Firm—Fleit, Jacobson, Cohn, Price, Holman & Stern

[57] CLAIM

The ornamental design for a printed-circuit board connector, as shown and described.

DESCRIPTION

FIG. 1 is a top, front and right side perspective view of a printed-circuit board connector showing my new design;

FIG. 2 is a top, rear and left side perspective view thereof;

FIG. 3 is a front elevational view thereof;

FIG. 4 is a rear elevational view thereof;

FIG. 5 is a top plan view thereof;

FIG. 6 is a bottom plan view thereof;

FIG. 7 is a left side elevational view thereof, the right side being a mirror image; and

FIG. 8 is a cross-sectional view thereof taken along line 8—8 of FIG. 5.

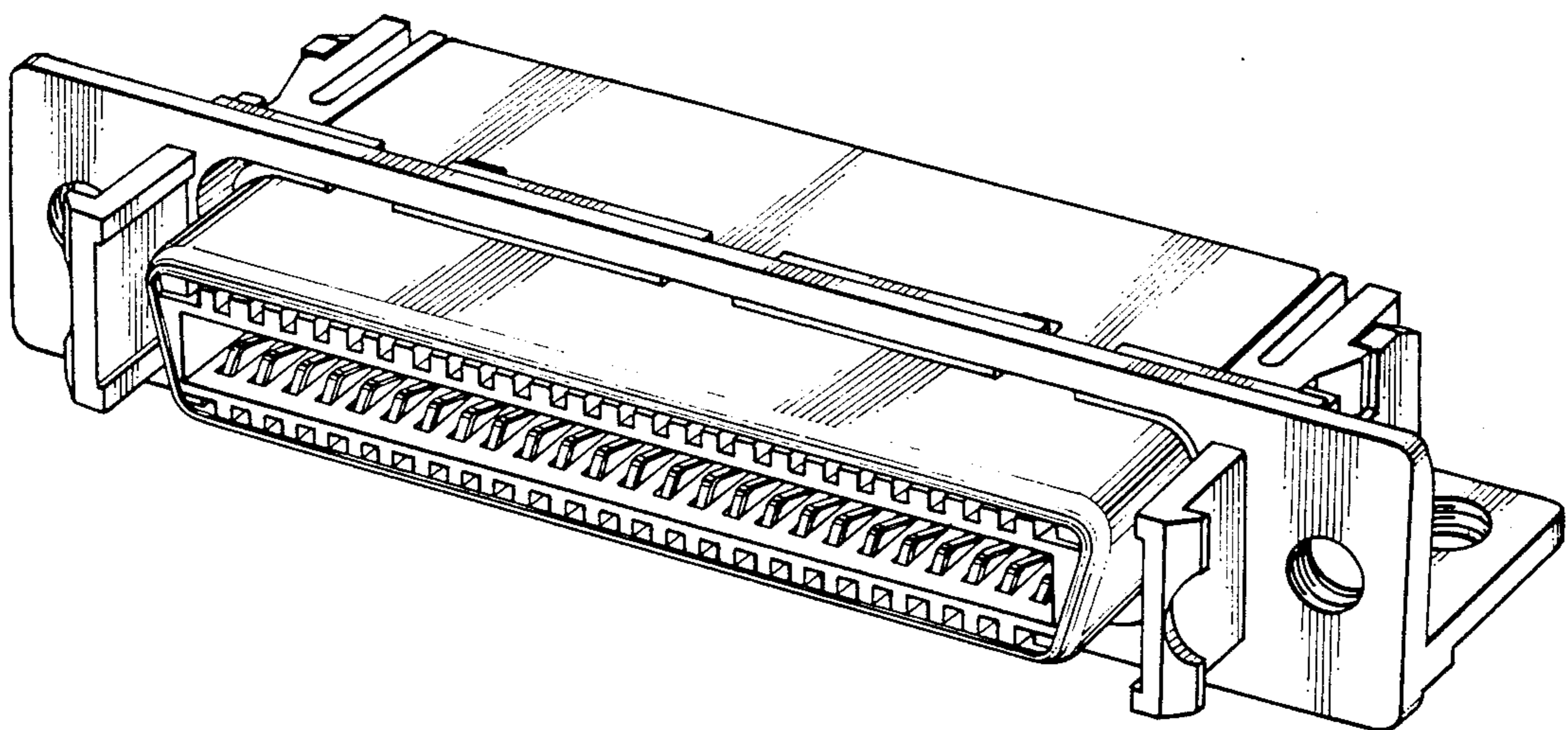


FIG. 1

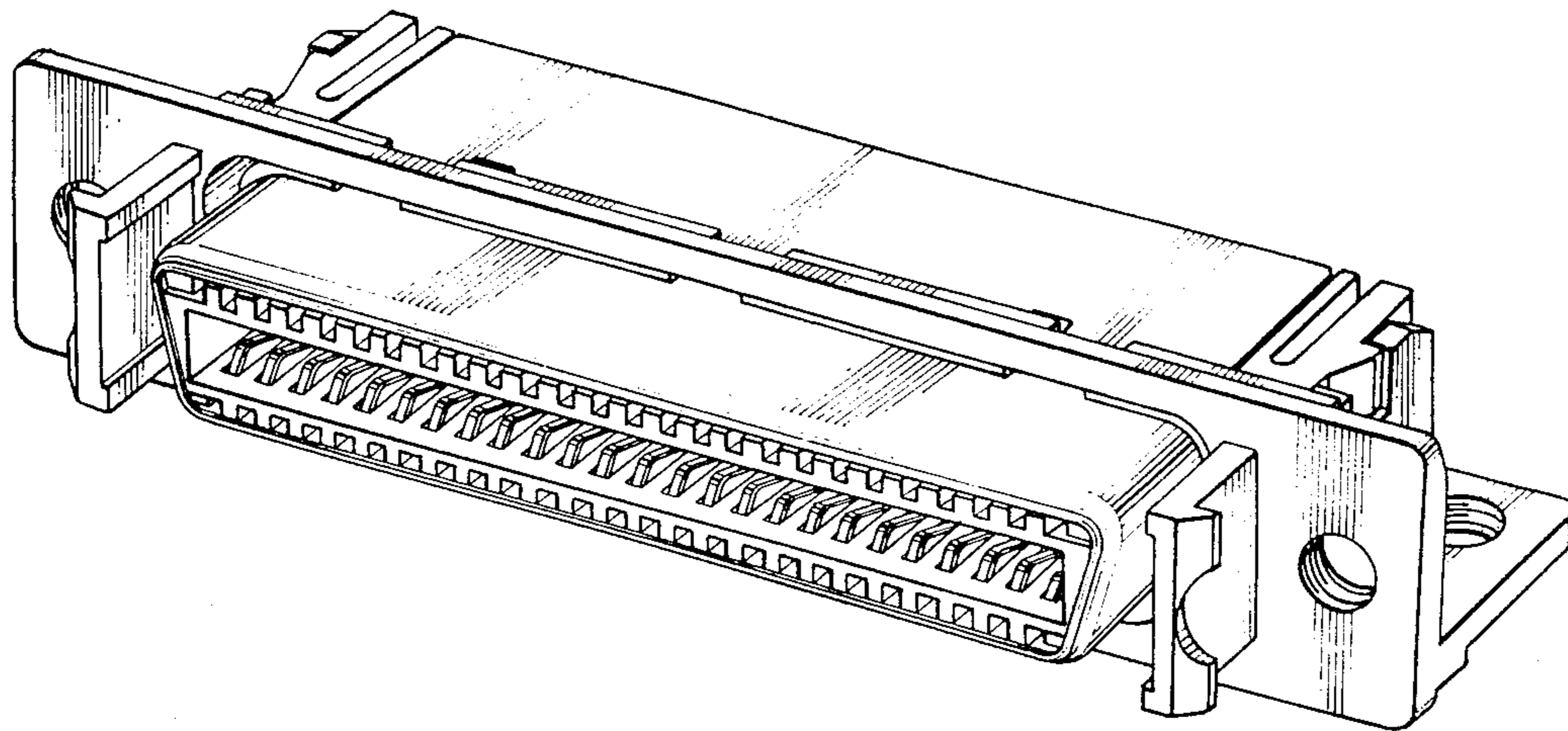


FIG. 2

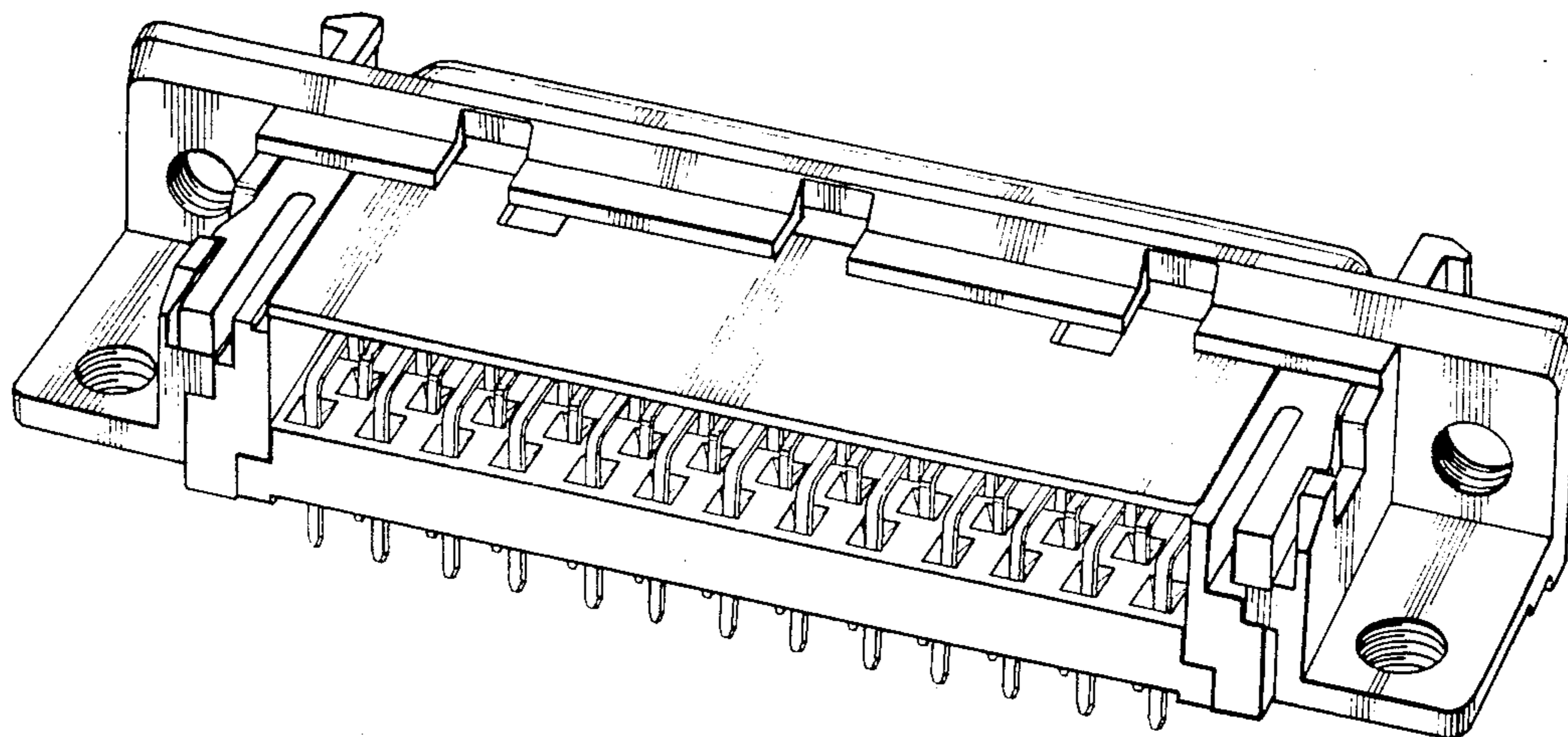


FIG. 3

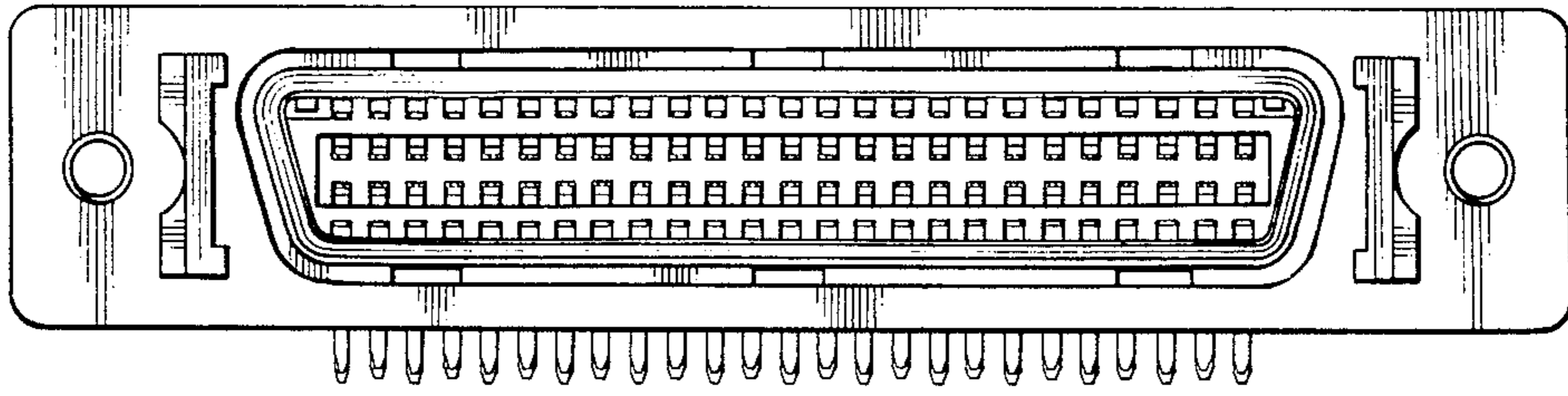


FIG. 4

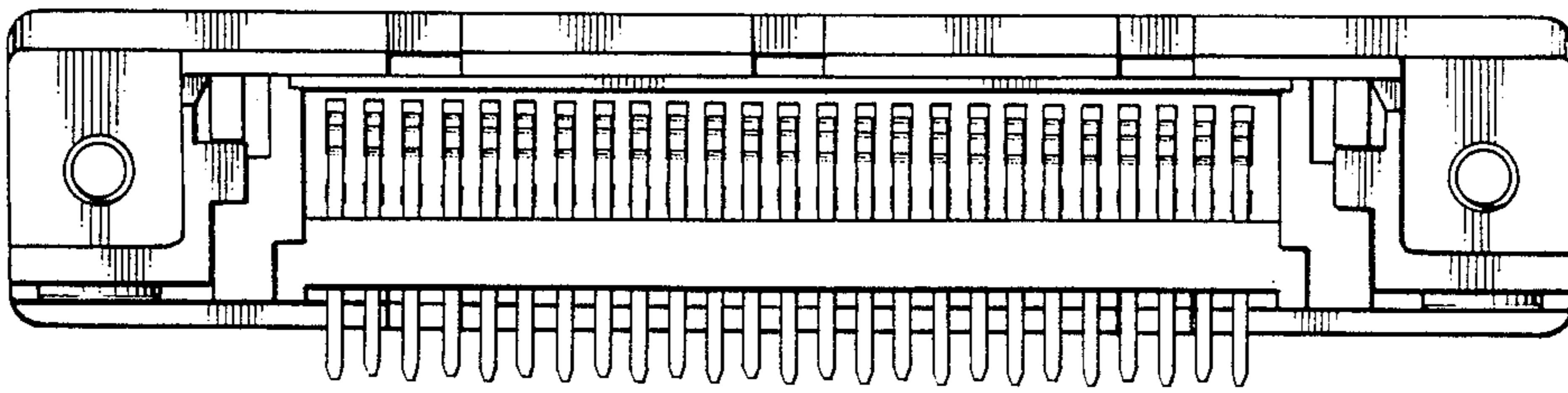


FIG. 5

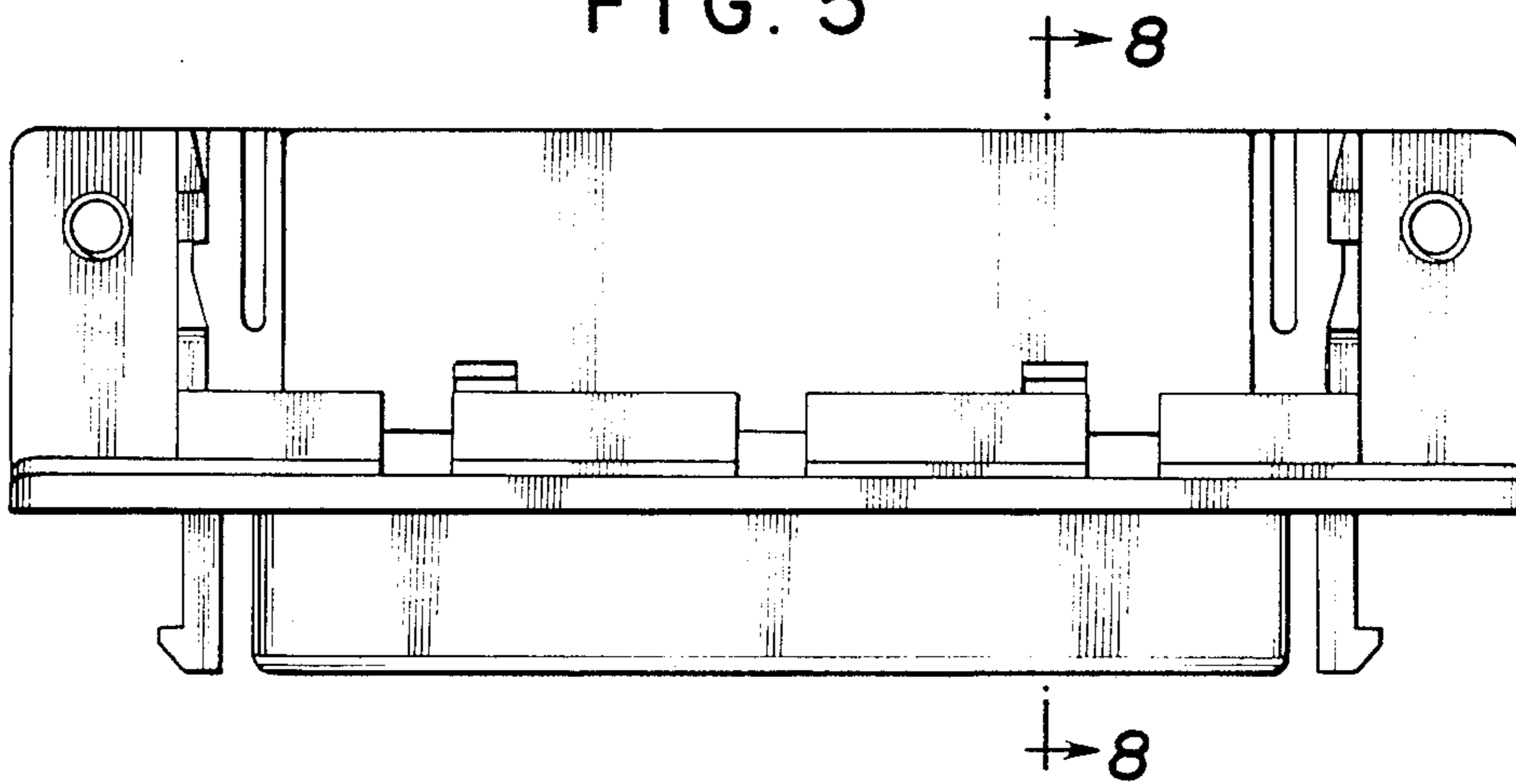




FIG. 6

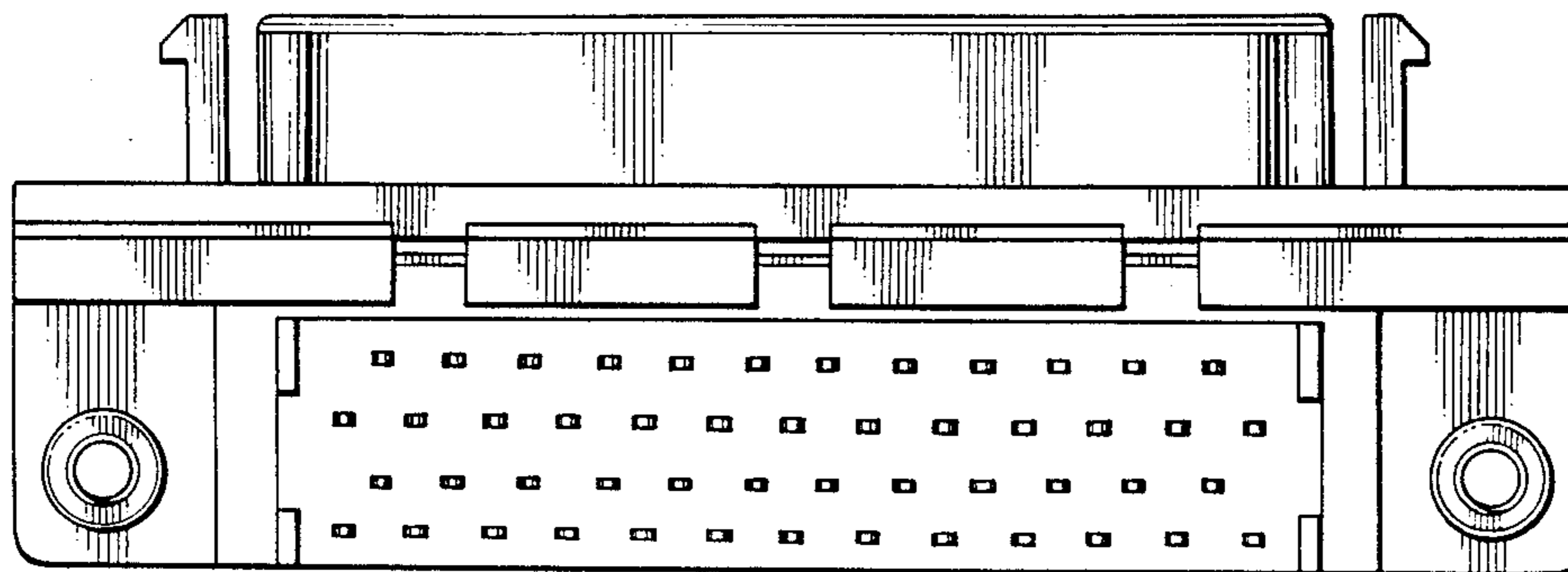


FIG. 7

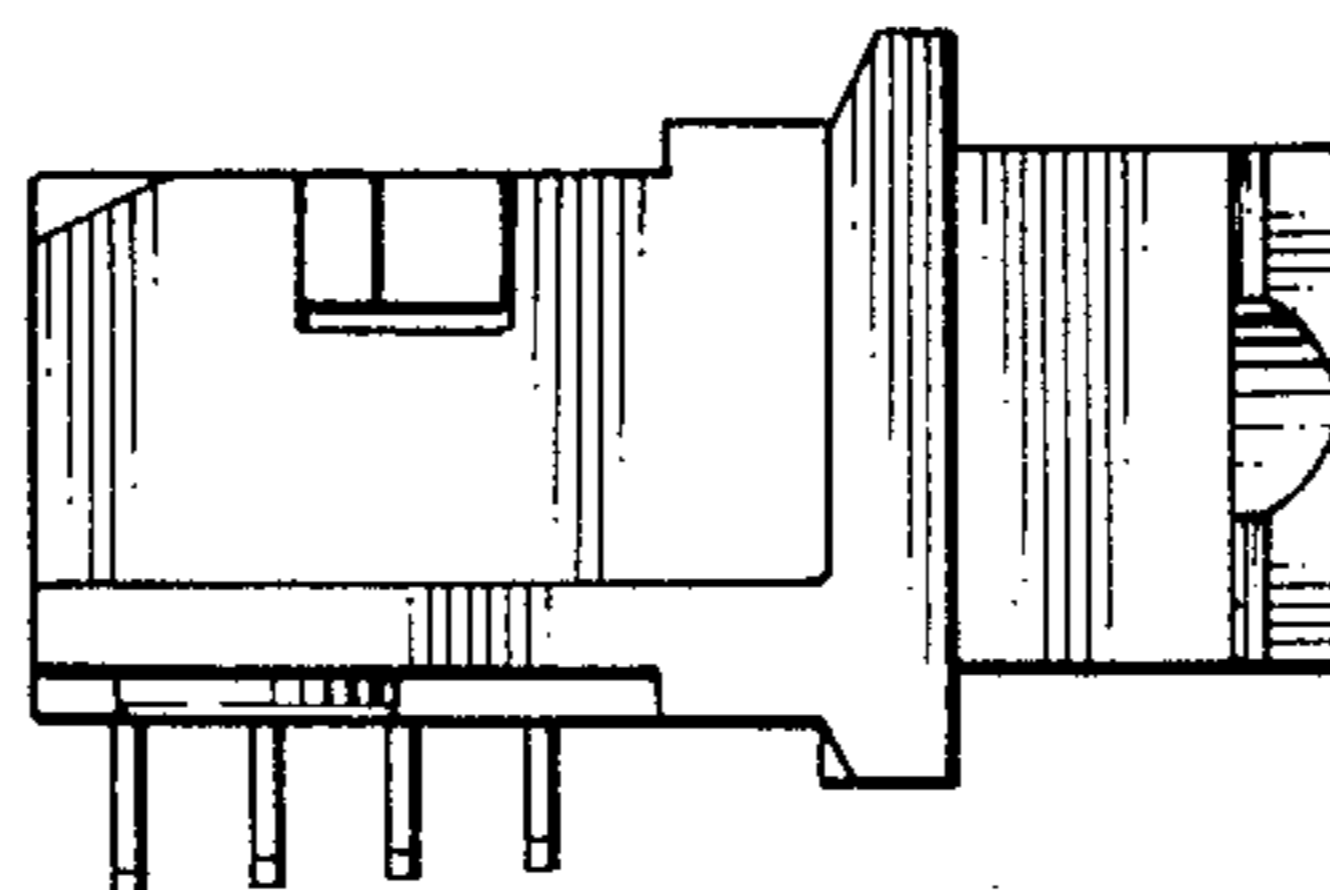


FIG. 8

