

[54] **DECORATIVE LIGHT SOCKET**  
[75] **Inventor: Eric Zimmerman, Los Angeles, Calif.**  
[73] **Assignee: Archigraphics, Huntington Park, Calif.**  
[\*\*] **Term: 14 Years**  
[21] **Appl. No.: 74,460**  
[22] **Filed: Jul. 17, 1987**  
[52] **U.S. Cl. .... D13/134**  
[58] **Field of Search ..... D13/133, 134, 135, 136, D13/140-147, 152; 439/546, 547, 699; 313/318**

D. 296,207 6/1988 Futatsugi et al. .... D13/134  
3,406,370 10/1968 Gaw ..... 439/446 X  
4,647,132 3/1987 Mikola ..... 439/699 X

*Primary Examiner*—Susan J. Lucas  
*Attorney, Agent, or Firm*—Frank Frisenda, Jr.

[57] **CLAIM**

The ornamental design for decorative light socket, as shown and described.

**DESCRIPTION**

FIG. 1 is a top, front perspective view of a decorative light socket showing my new design;  
FIG. 2 is a front elevational view thereof, the rear being a mirror image;  
FIG. 3 is a left side elevational view thereof, the right side being a mirror image;  
FIG. 4 is a bottom plan view thereof;  
FIG. 5 is a top plan view thereof.

[56] **References Cited**

**U.S. PATENT DOCUMENTS**

D. 38,484 3/1907 Mebane ..... D13/134  
D. 209,146 11/1967 Duvall et al. .... D13/134  
D. 283,121 3/1986 Oesterheld et al. .... D13/134

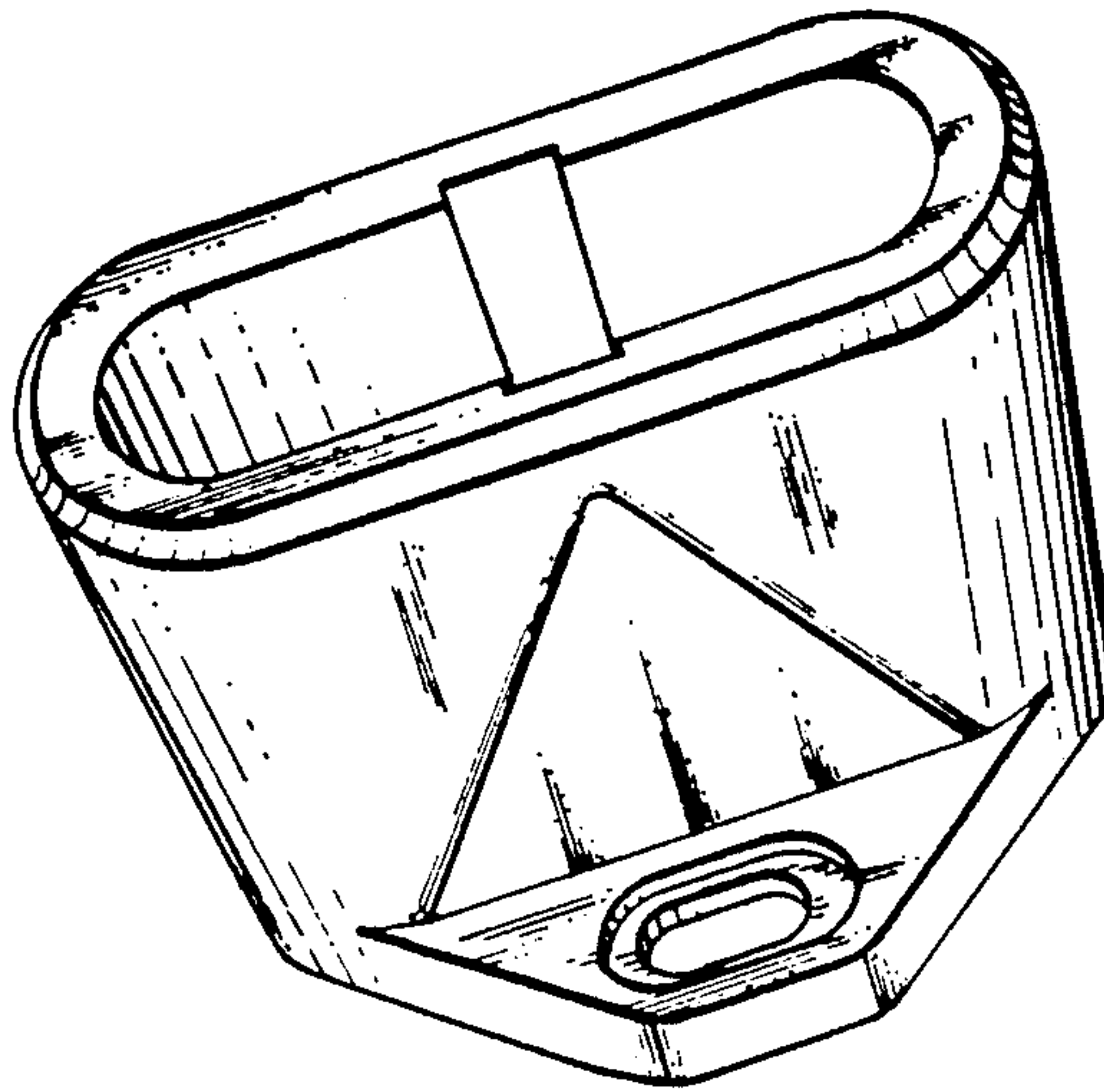


Fig. 1.

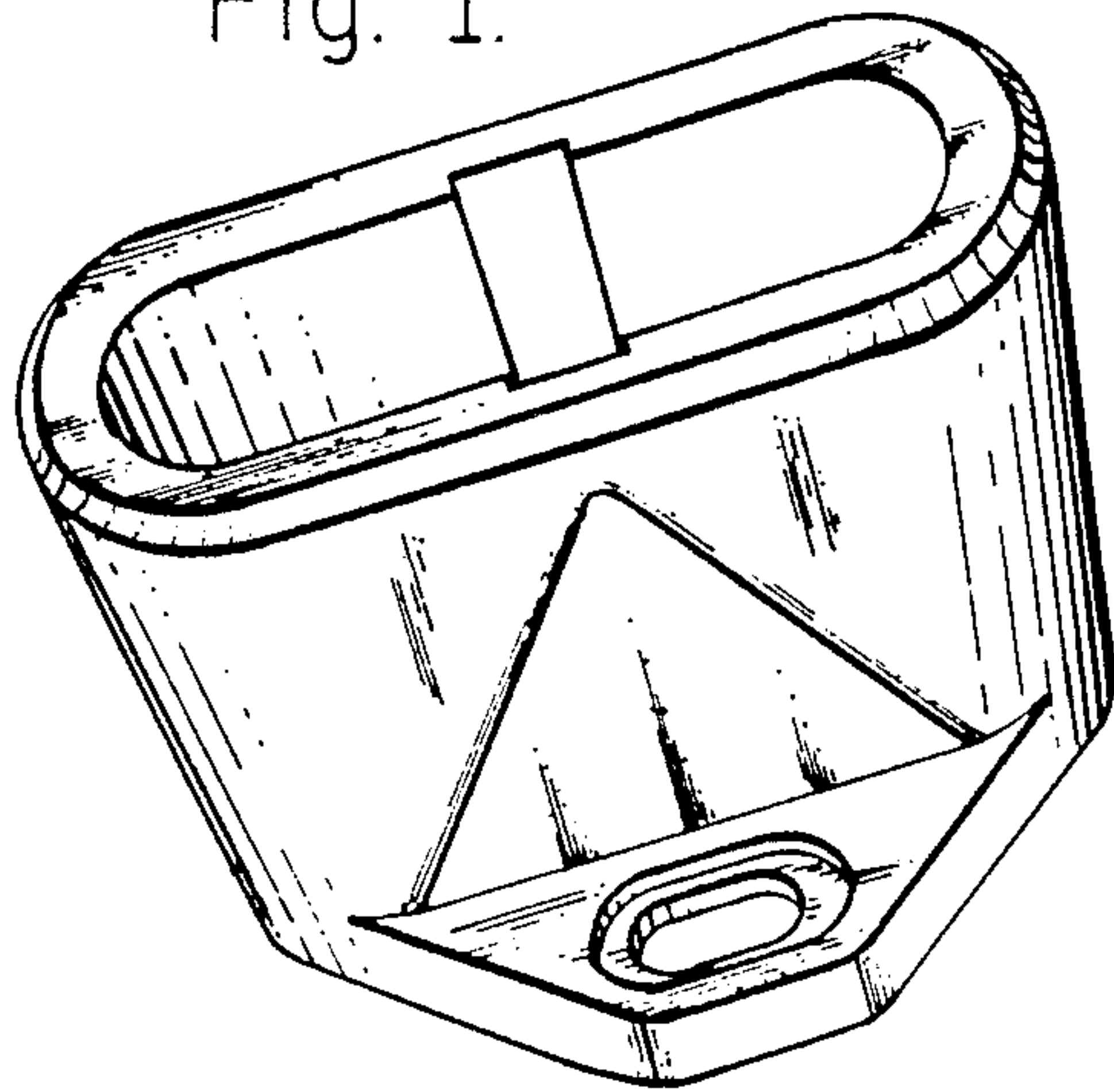


Fig. 2.

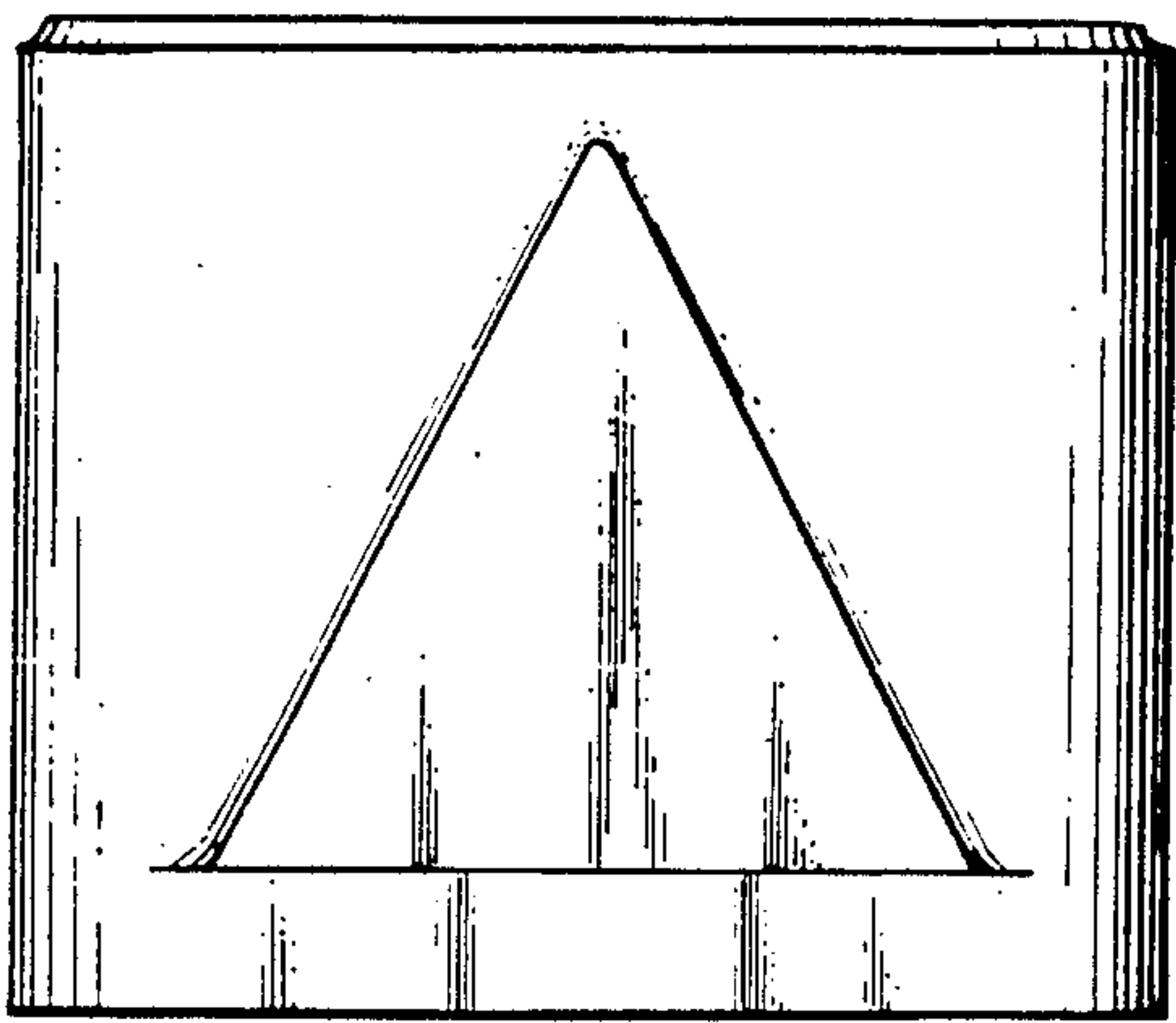


Fig. 3.

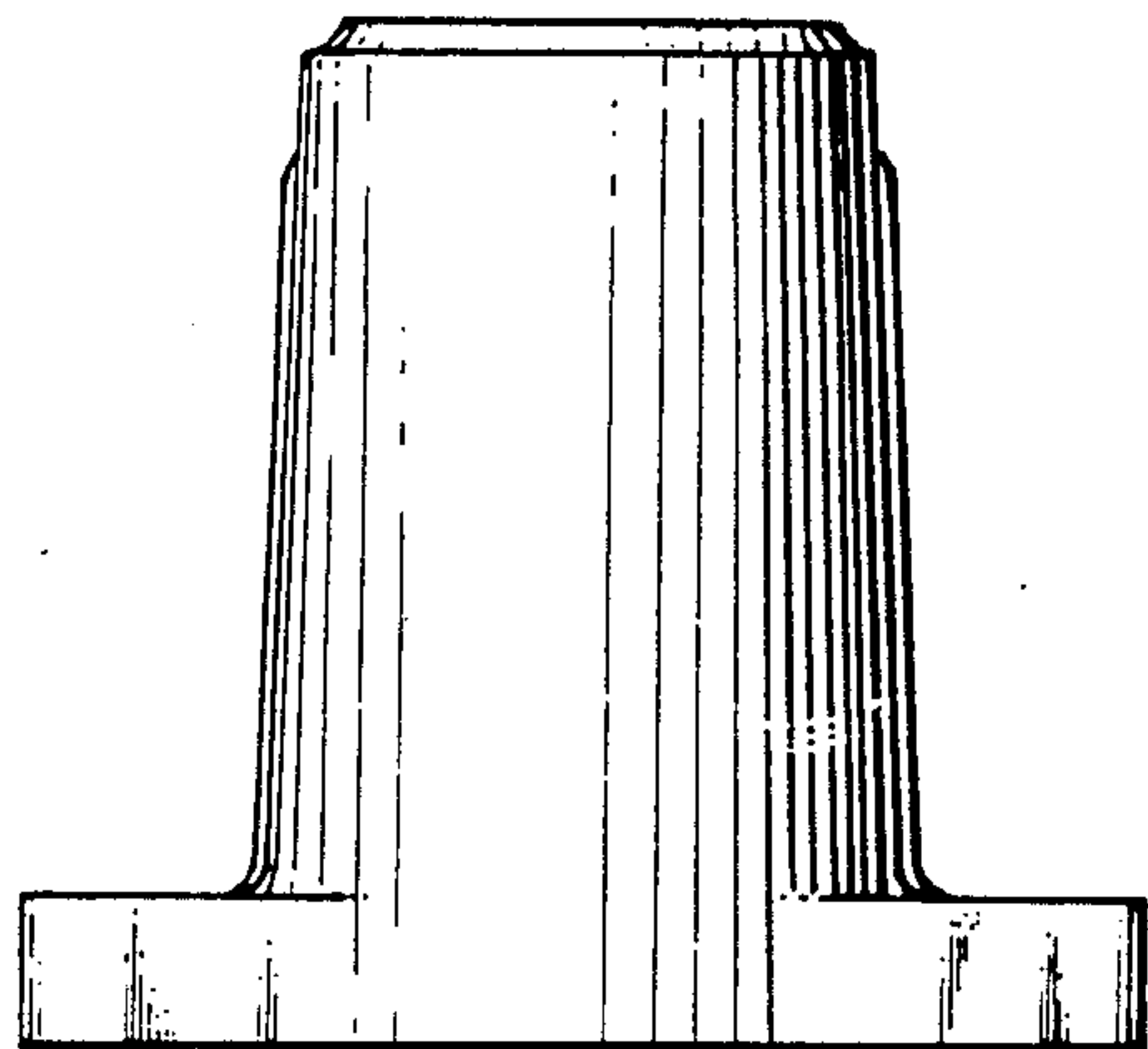


Fig. 4.

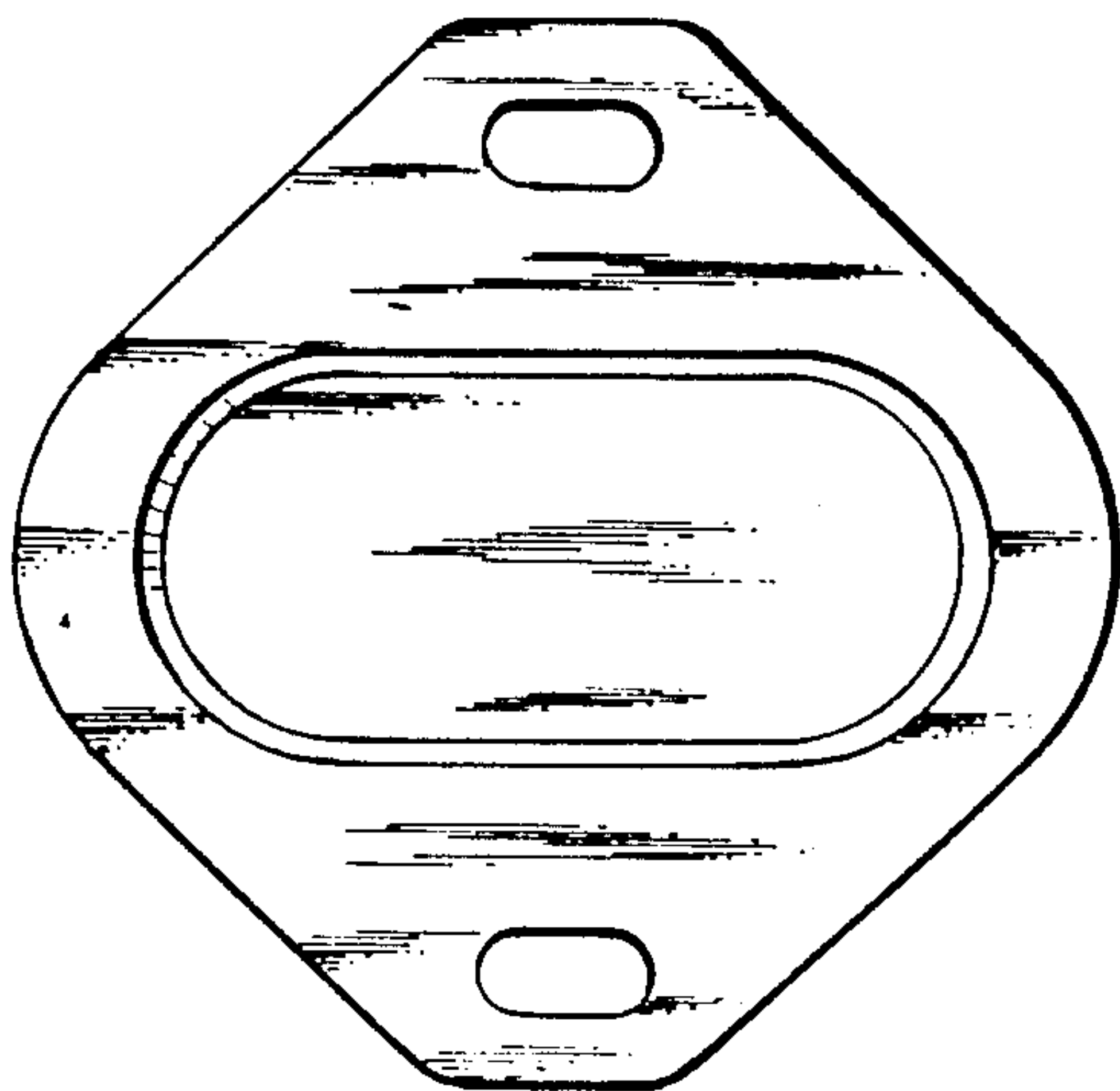


Fig. 5.

