

[54] BATTERY CHARGER

[75] Inventors: Hideaki Hasegawa, Katsuta; Yoshio Jimura, Mito; Kazuyuki Nagahara, Katsuta, all of Japan

[73] Assignee: Hitachi Koko Company, Ltd., Japan

[**] Term: 14 Years

[21] Appl. No.: 230,345

[22] Filed: Aug. 9, 1988

[52] U.S. Cl. D13/108

[58] Field of Search D13/108; D8/68; 320/2-5, 27; 310/50

[56] References Cited

U.S. PATENT DOCUMENTS

- D. 271,391 11/1983 Scheid D13/5
- D. 276,149 10/1984 Eckmann et al. D13/5
- D. 278,228 4/1985 Liautaud et al. D13/5

FOREIGN PATENT DOCUMENTS

- 2702129 7/1978 Fed. Rep. of Germany 320/2
- 0069776 6/1981 Japan 320/2
- 615219 9/1983 Japan .

OTHER PUBLICATIONS

Milwaukee Battery Charger on p. 72 of *New Equipment Digest* (NED) Jul. 1986.

Brochure by Scintilla AG, CH-4501 Solothurn/Schweiz. Includes English Language Translation, 9 pages.

Primary Examiner—Susan J. Lucas

Assistant Examiner—Joel Sincavage

Attorney, Agent, or Firm—Lowe, Price, LeBlanc, Becker & Shur

[57] CLAIM

The ornamental design for a battery charger, as shown and described.

DESCRIPTION

FIG. 1 is a front perspective view of an embodiment of a battery charger showing our new design; FIG. 2 is a front elevational view thereof; FIG. 3 is a rear elevational view thereof; FIG. 4 is a right side elevational view thereof; FIG. 5 is a left side elevational view thereof; FIG. 6 is a top view thereof; FIG. 7 is a bottom view thereof; and FIG. 8 is a front perspective view thereof with an inserted battery. The broken line showing of the battery is for illustrative purposes only and forms no part of the claimed design.

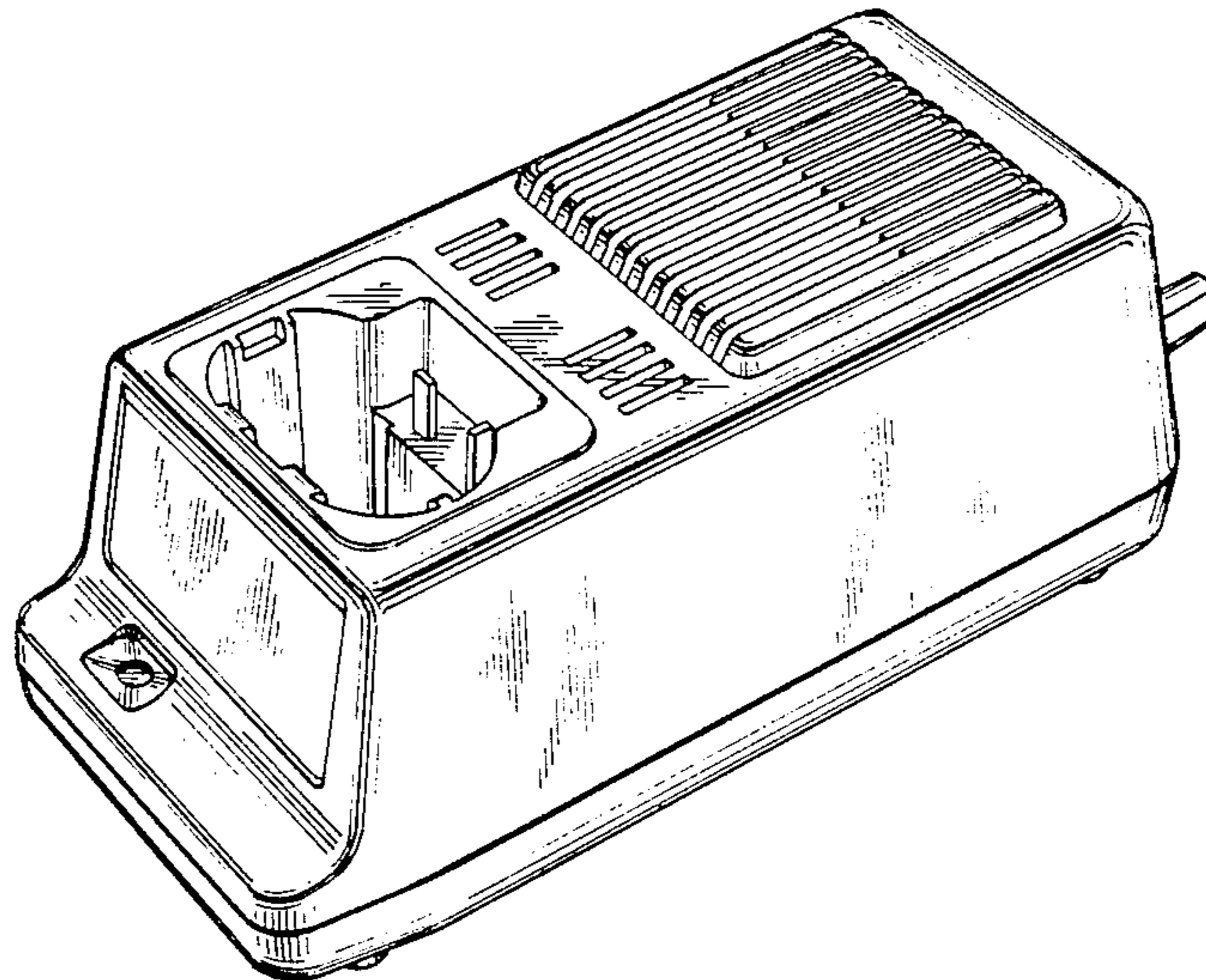


FIG. 1

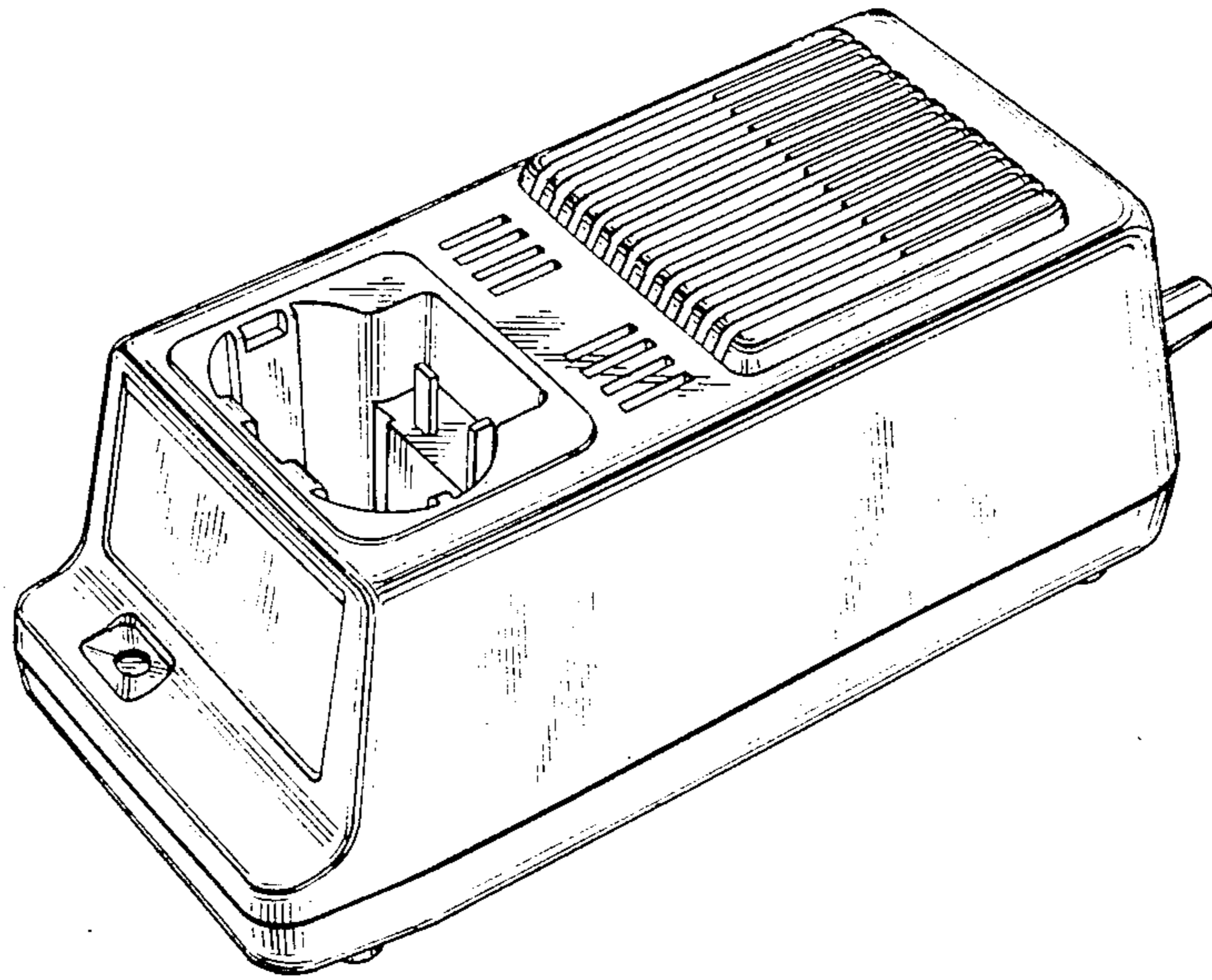


FIG. 2

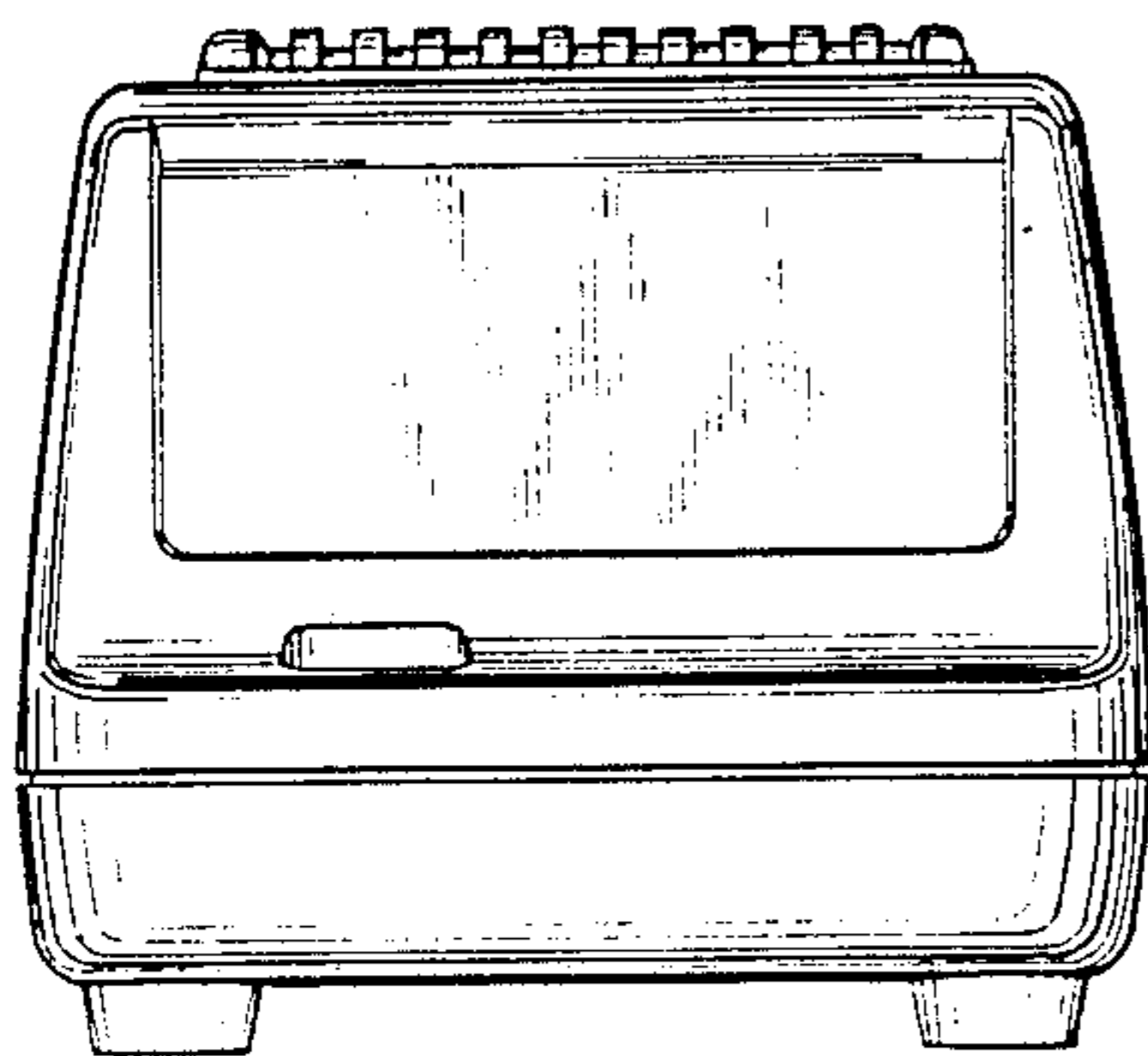


FIG. 3

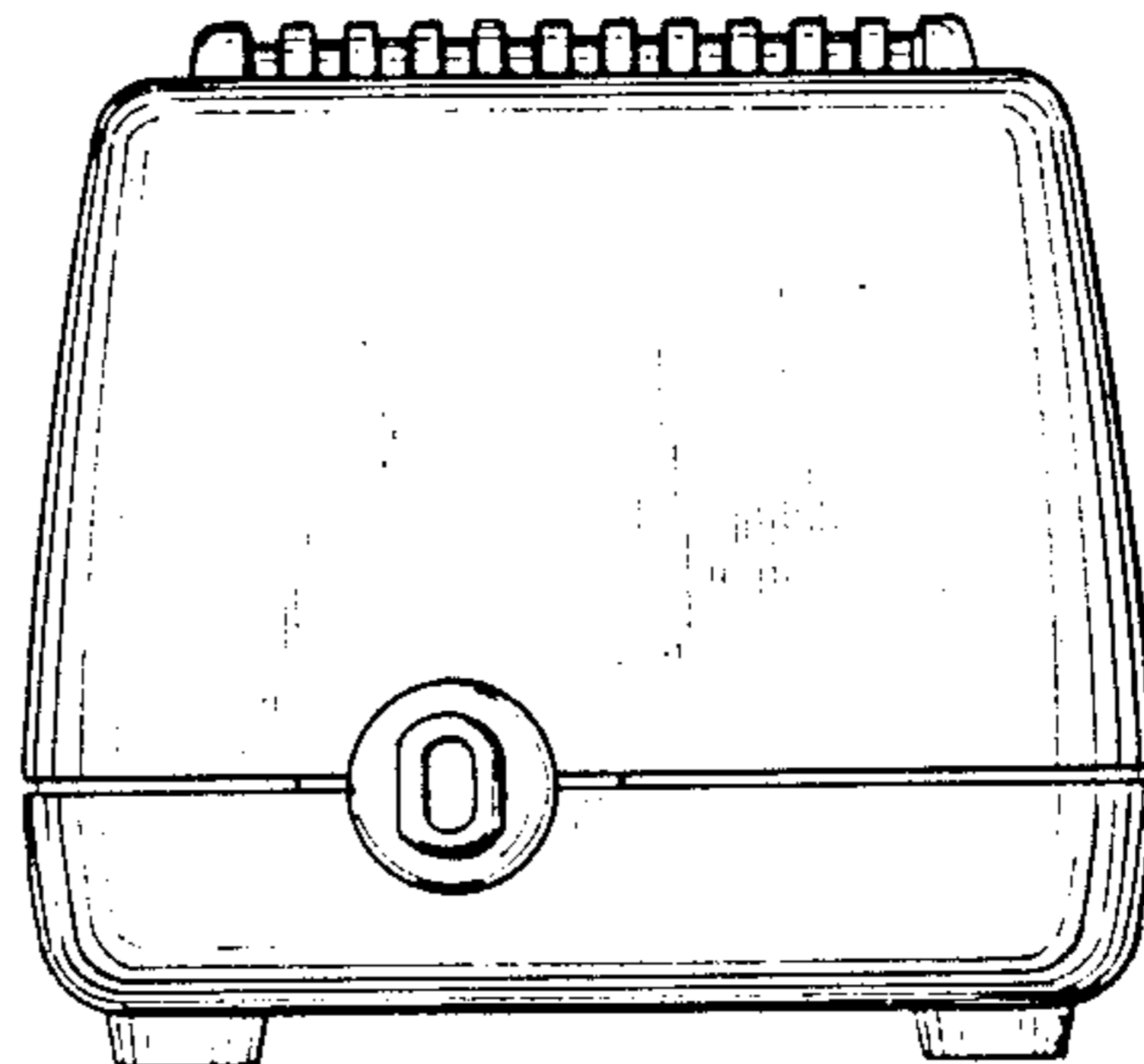


FIG. 4

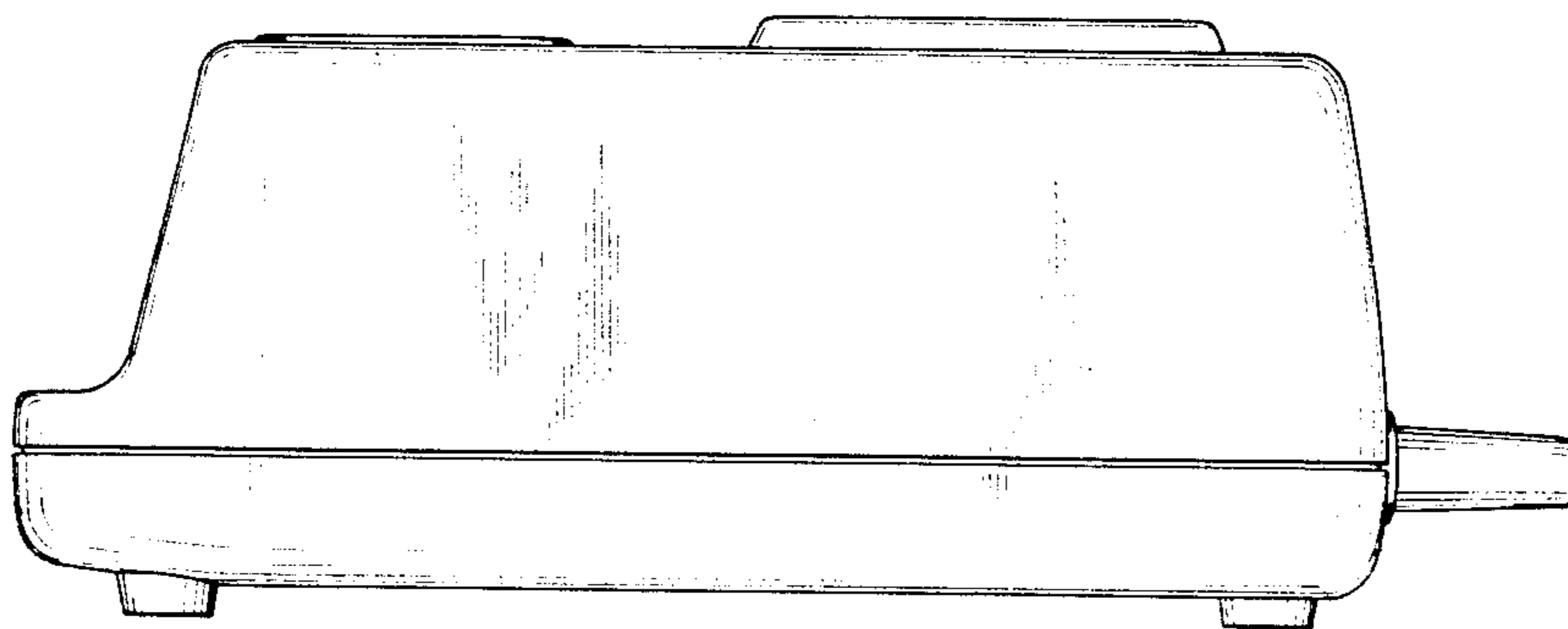


FIG. 5

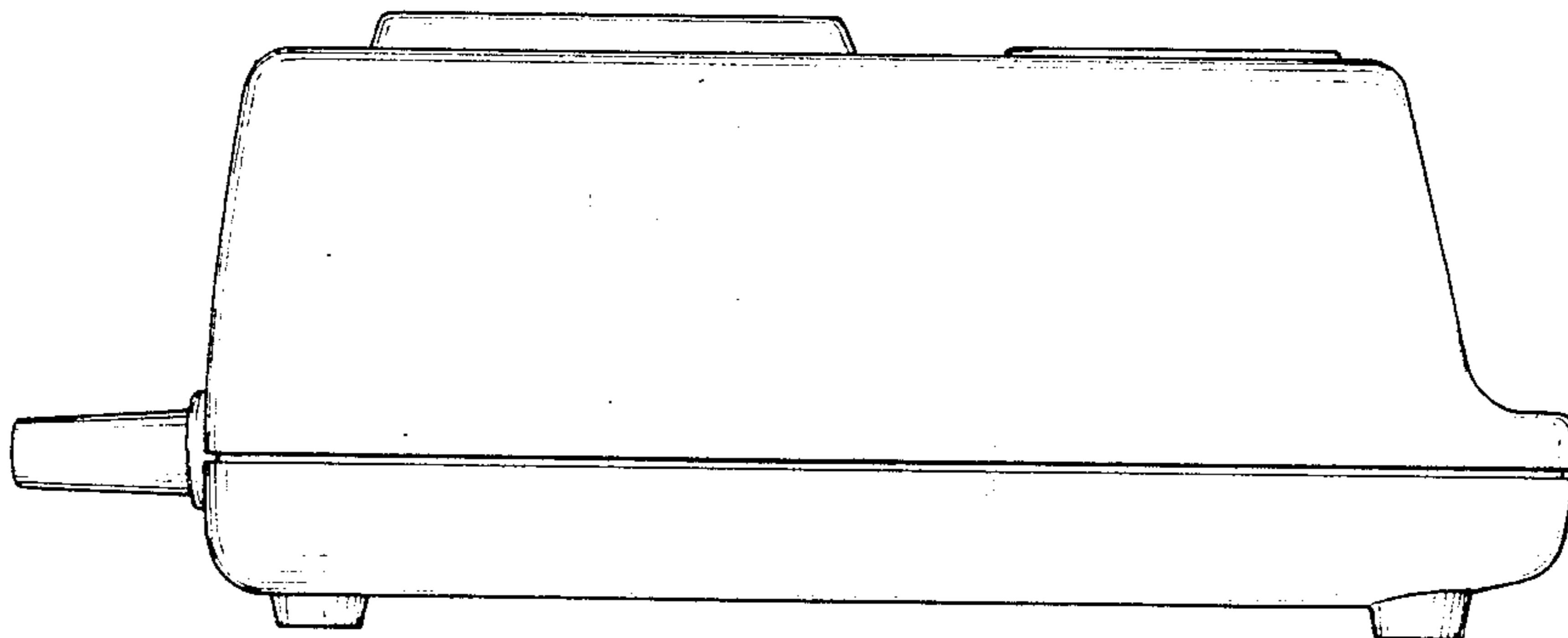


FIG. 6

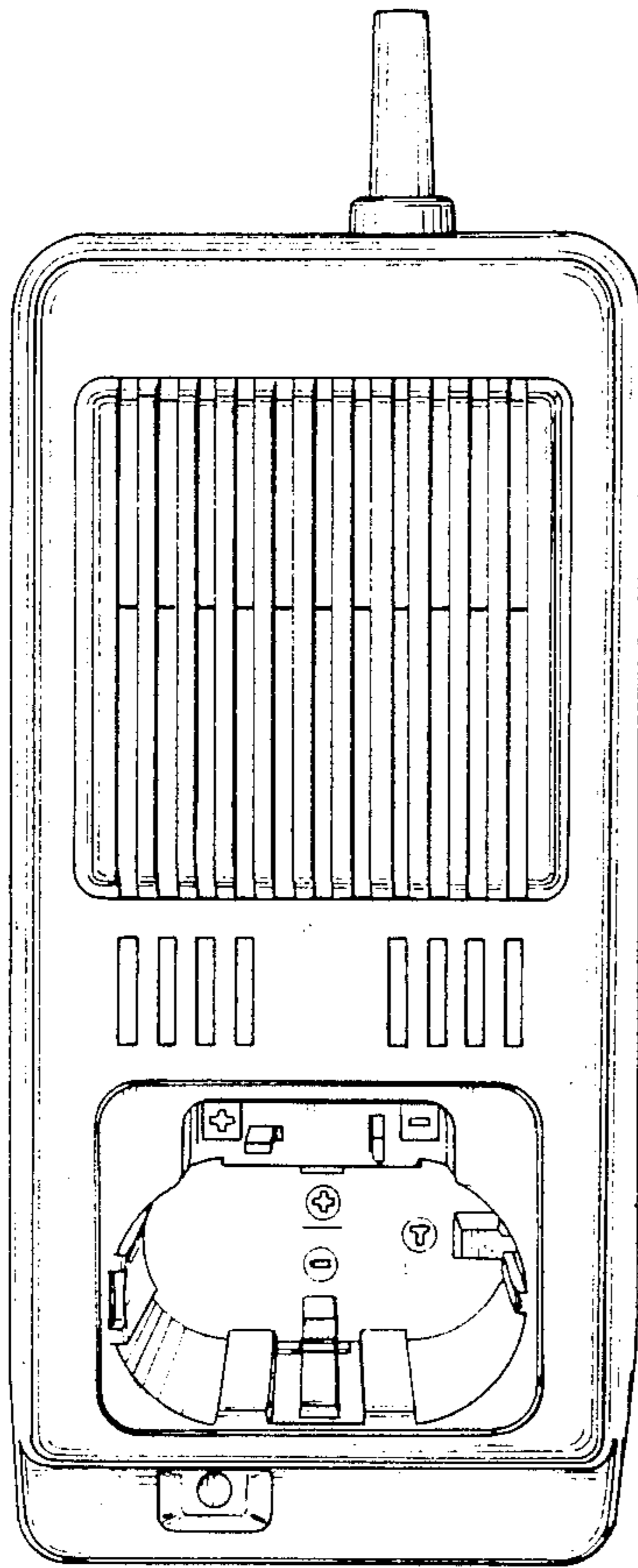


FIG. 7

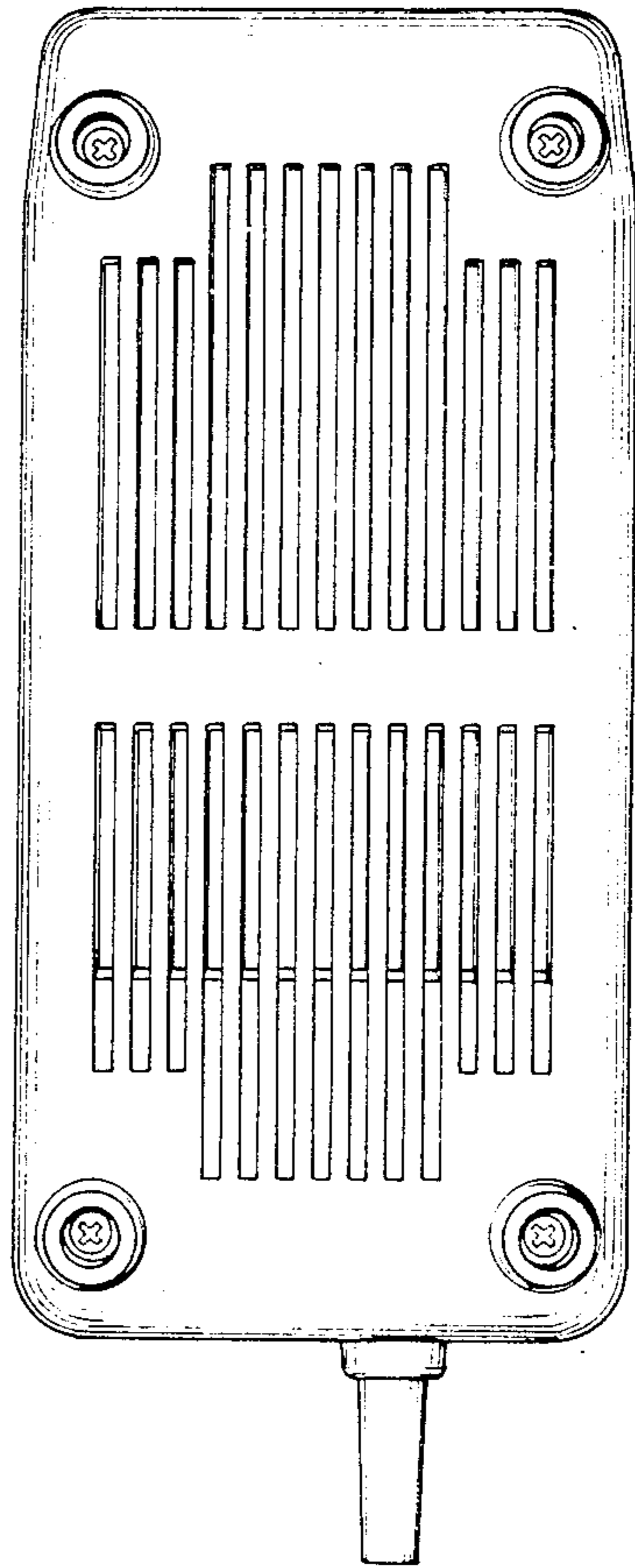


FIG. 8

