

[54] **CANOE CONTAINER**

[76] **Inventor: James A. Henry, P.O. Box 363,
Spring Hill, Waitsfield, Vt. 05673**

[**] **Term: 14 Years**

[21] **Appl. No.: 221,235**

[22] **Filed: Jul. 19, 1988**

[52] **U.S. Cl. D12/317; D12/302**

[58] **Field of Search D12/300, 302, 317, 318;
114/364, 347, 343; 206/545, 549**

[56] **References Cited**

U.S. PATENT DOCUMENTS

3,674,170	7/1972	Thorpe et al.	114/343
3,958,289	5/1976	Carlson	114/364
4,290,156	9/1981	Rawson	114/343
4,593,642	6/1986	Shay	114/364

*Primary Examiner—Kay H. Chin
Attorney, Agent, or Firm—Fish & Richardson*

[57] **CLAIM**

The ornamental design for a canoe container, as shown and described.

DESCRIPTION

FIG. 1 is a top and side perspective view of a canoe container showing my new design;

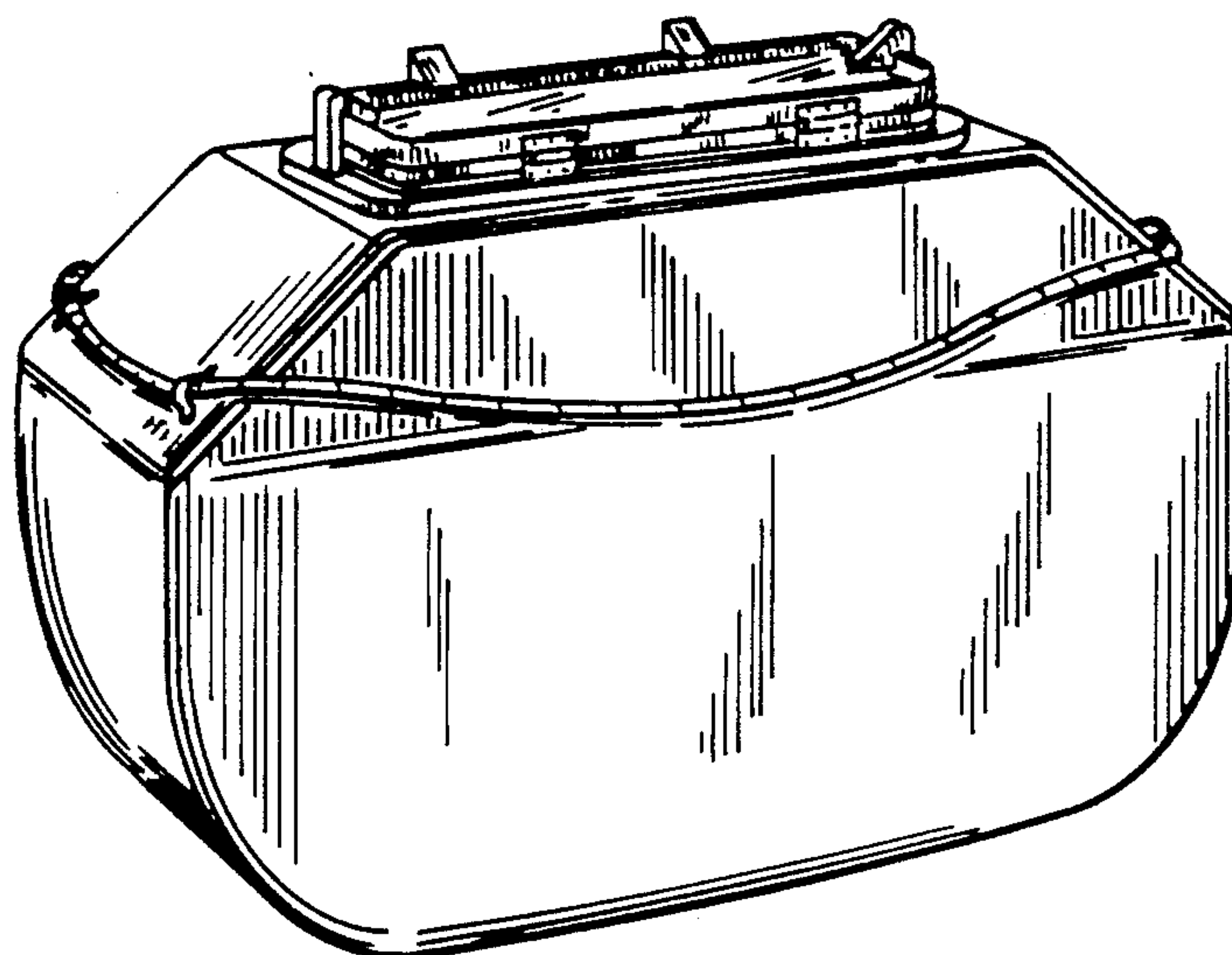
FIG. 2 is a side elevational view thereof, the opposite side elevational view being a mirror image of that shown;

FIG. 3 is a top plan view thereof;

FIG. 4 is a front elevational view thereof, the rear elevational view being a mirror image of that shown;

FIG. 5 is a bottom plan view thereof; and

FIG. 6 is a top perspective view thereof showing the lid in open condition, the broken lines are for illustrative purposes only and form no part of the claimed design.



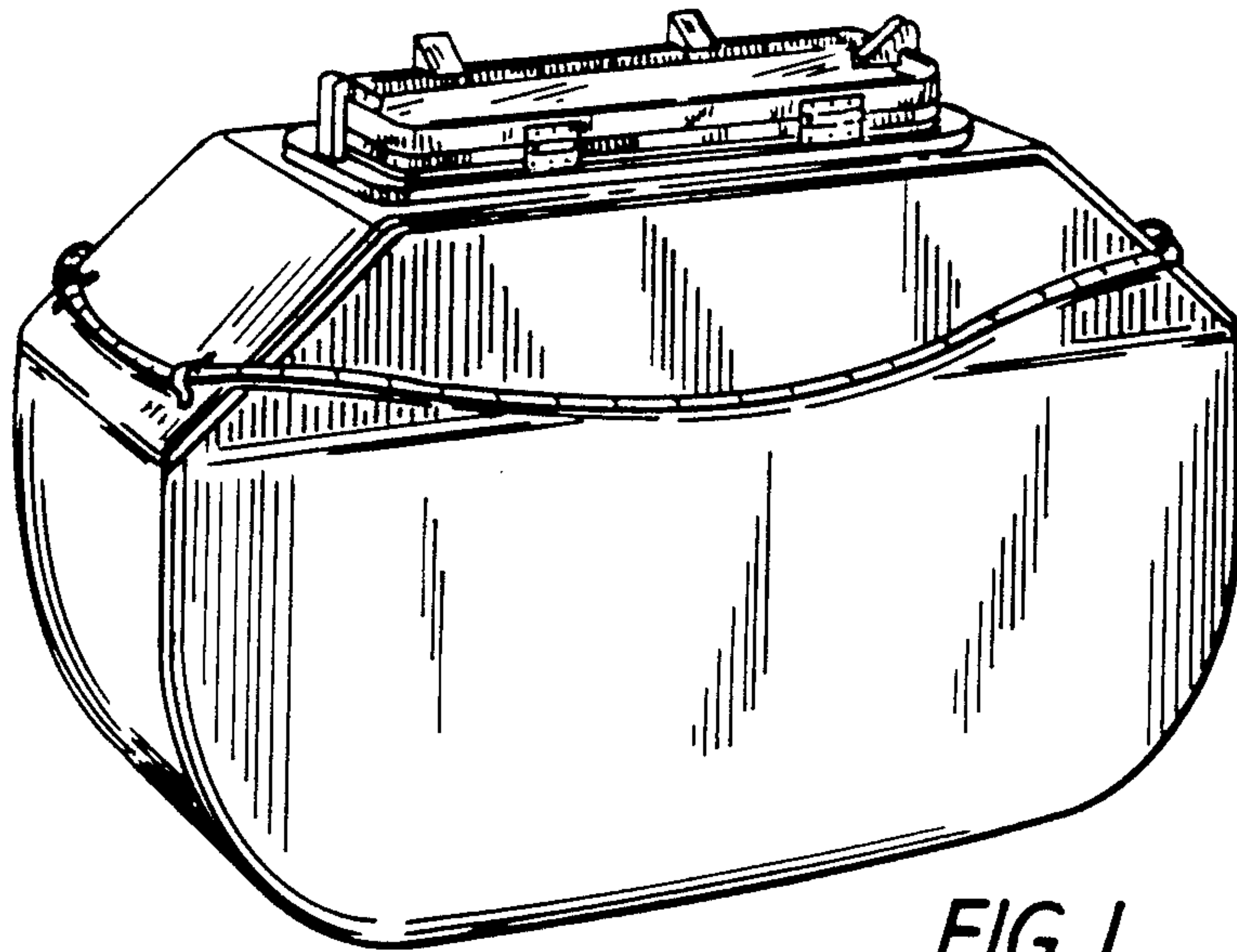


FIG. 1

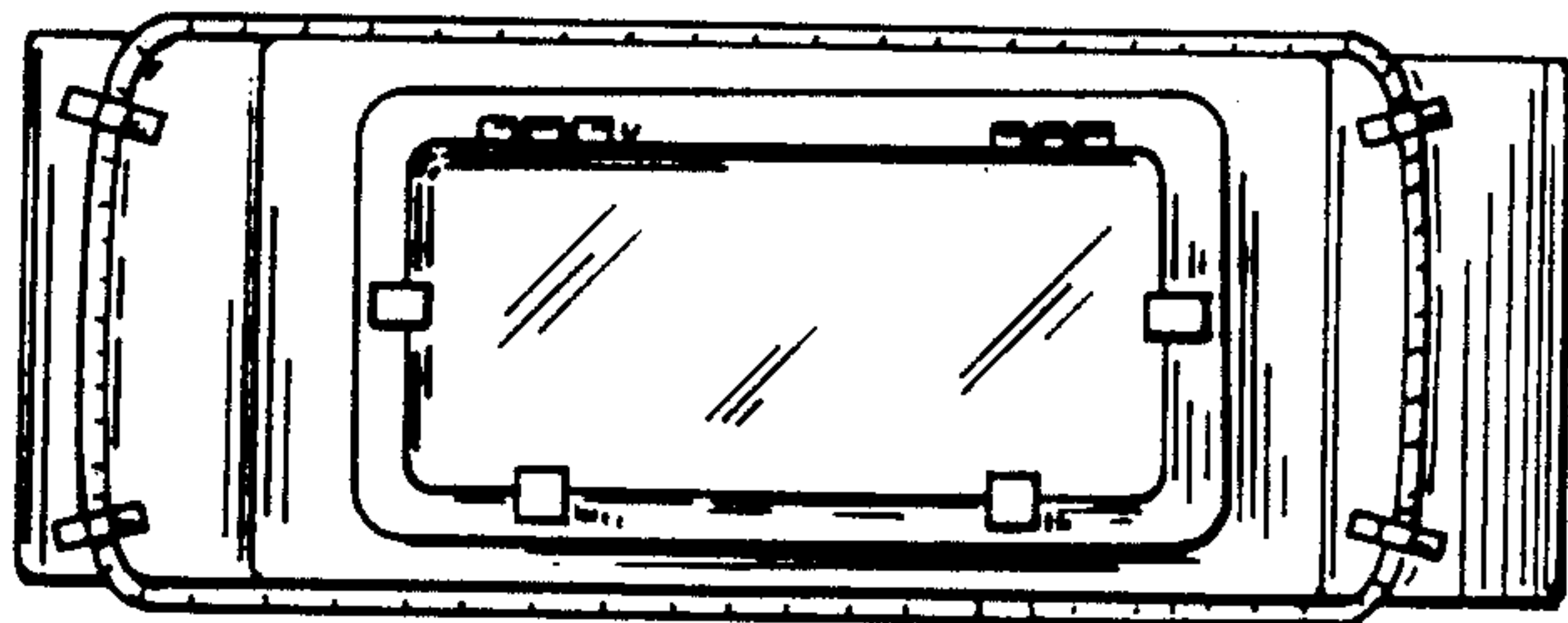


FIG. 3

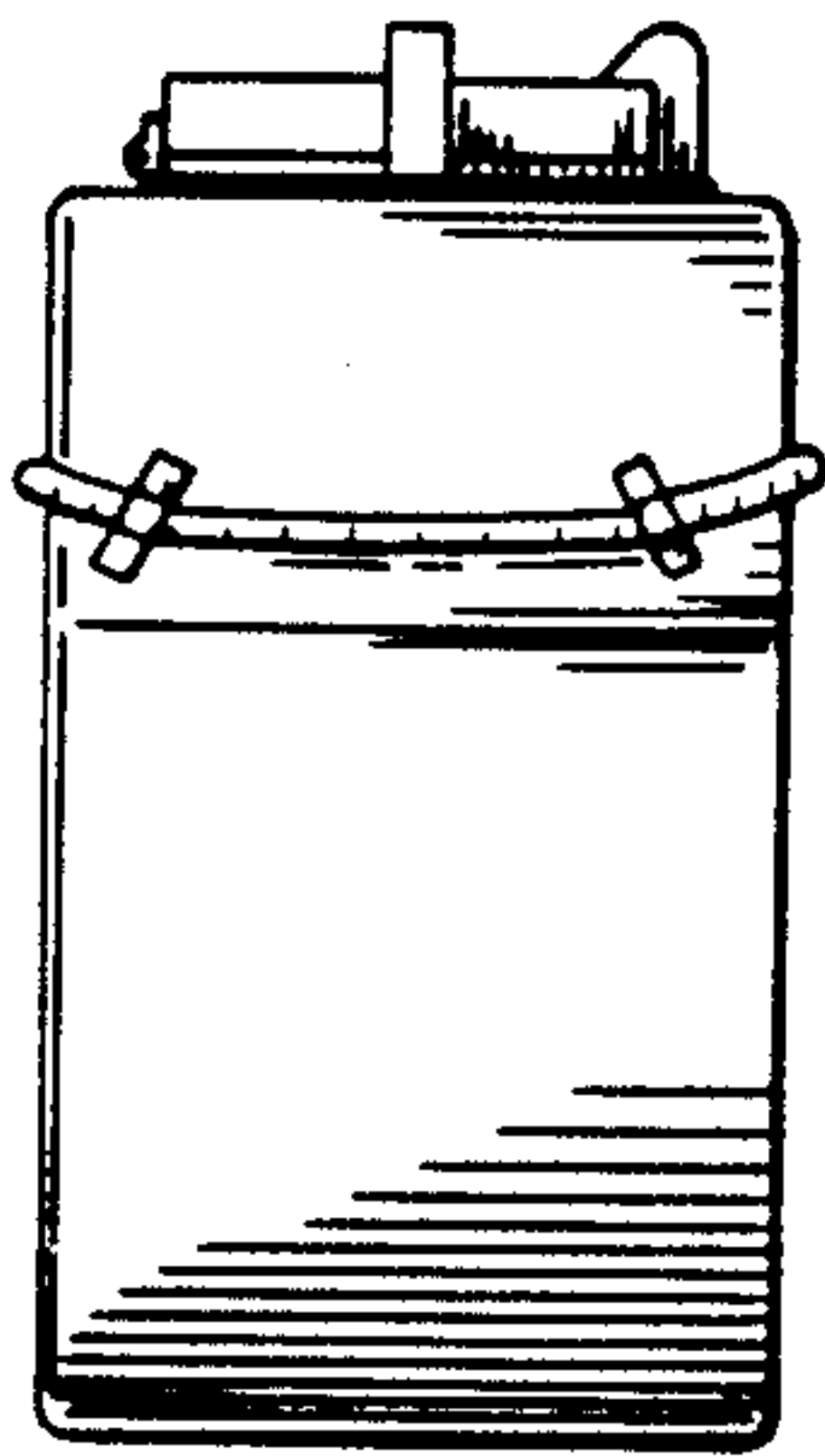


FIG. 4

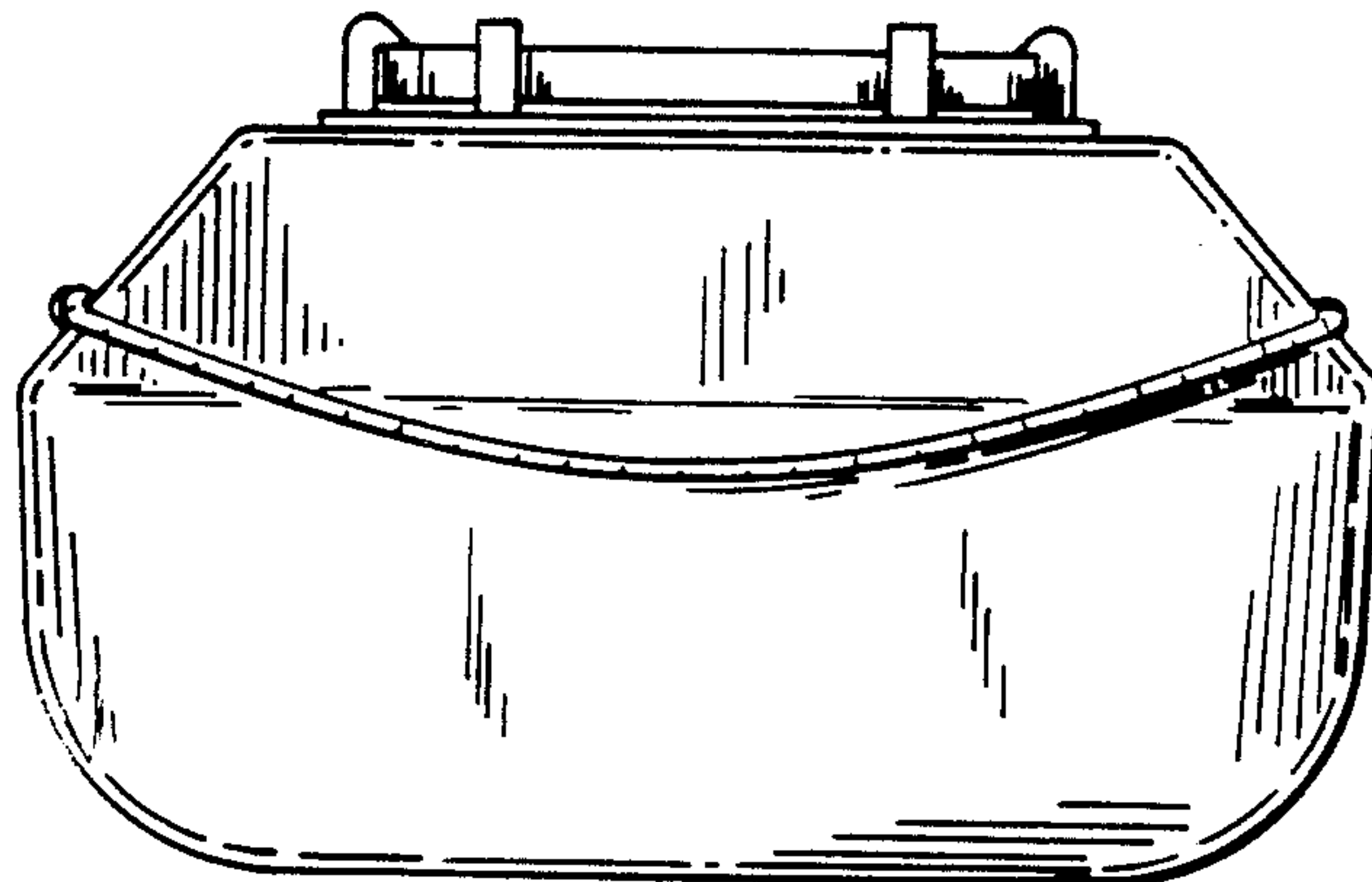


FIG. 2

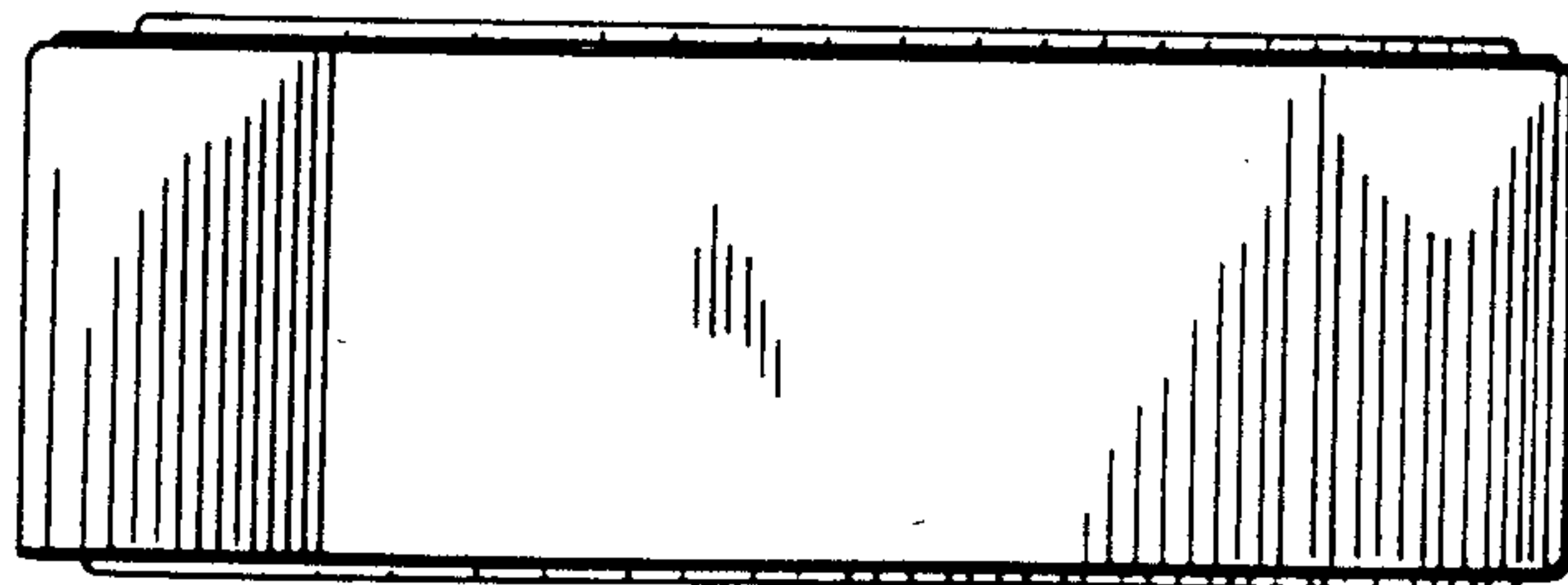


FIG. 5

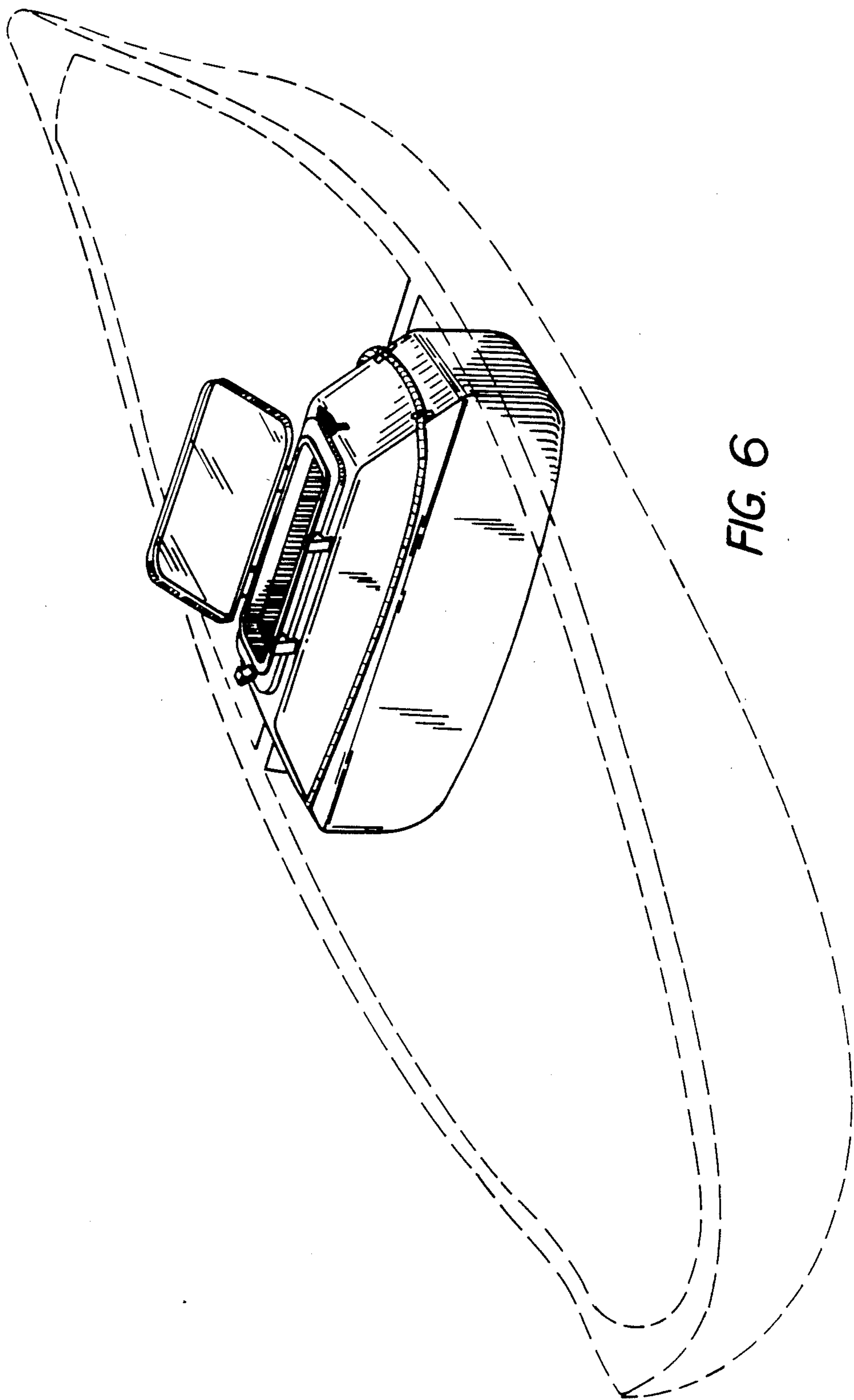


FIG. 6