

[54] **AUTOMOBILE TIRE**

[75] **Inventor: Kenji Tagashira, Hyogo, Japan**

[73] **Assignee: Sumitomo Rubber Industries, Ltd.,
Hyogo, Japan**

[**] **Term: 14 Years**

[21] **Appl. No.: 232,379**

[22] **Filed: Aug. 15, 1988**

[30] **Foreign Application Priority Data**

Feb. 17, 1988 [JP] Japan 63-6420

[52] **U.S. Cl. D12/147**

[58] **Field of Search D12/146-151,
D12/138; 152/209 R, 209 B, 209 D**

[56] **References Cited**

U.S. PATENT DOCUMENTS

D. 50,840 5/1917 Kocontes D12/138

D. 51,499 11/1917 Klopfenstein D12/138

OTHER PUBLICATIONS

1988 Tread Design Guide, a Bennett Garfield Publication, p. 31, Dunlop Qualifier M & S Radial Snow Tire.

Primary Examiner—James M. Gandy
Attorney, Agent, or Firm—Birch, Stewart, Kolasch & Birch

[57] **CLAIM**

The ornamental design for an automobile tire, as shown and described.

DESCRIPTION

FIG. 1 is a perspective view of an automobile tire showing my new design it being understood that the tread pattern is repeated uniformly throughout the circumference of the tire, the opposite side being substantially the same as that shown;

FIG. 2 is a front elevational view thereof; and
FIG. 3 is a side elevational view thereof.

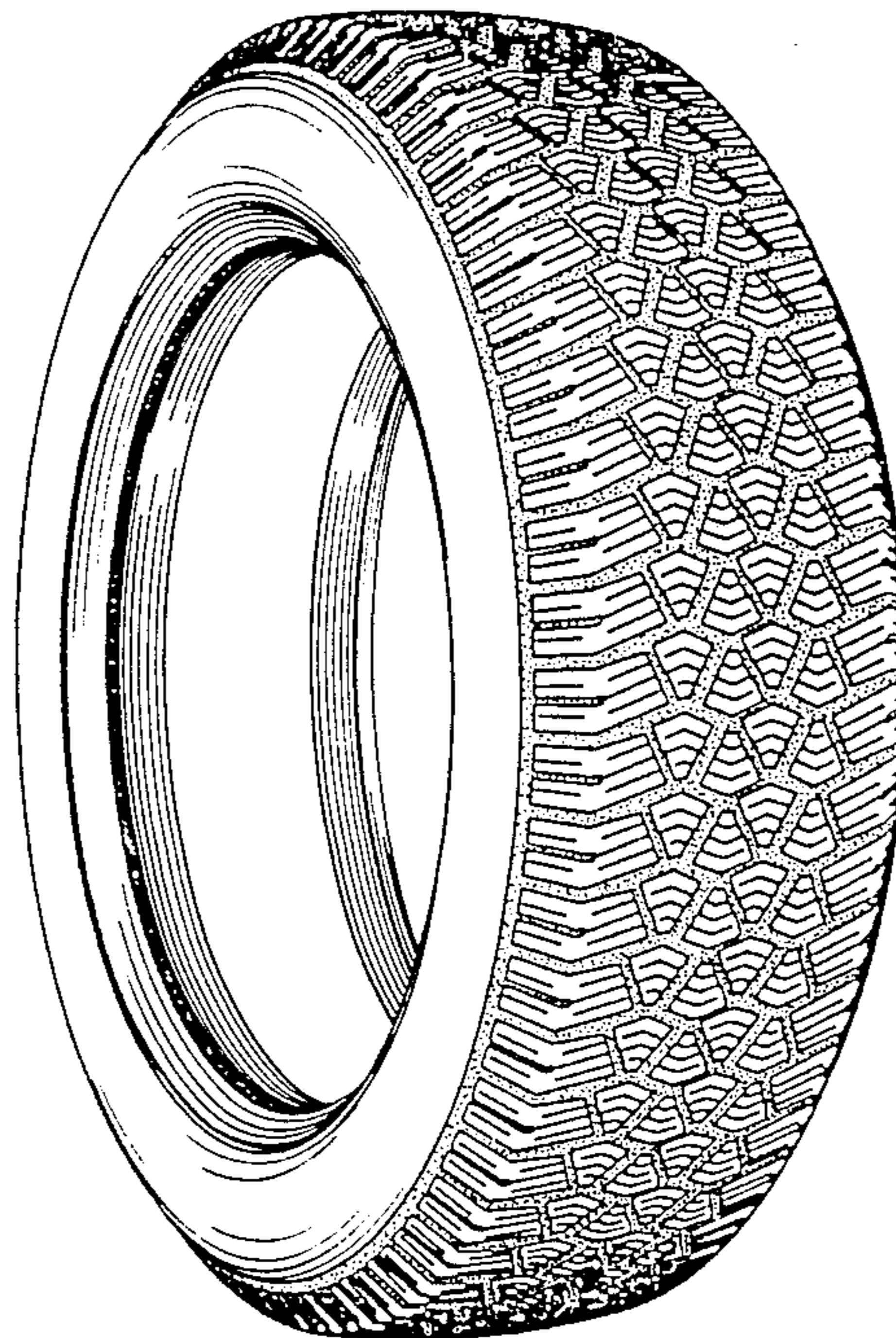


FIG. 1

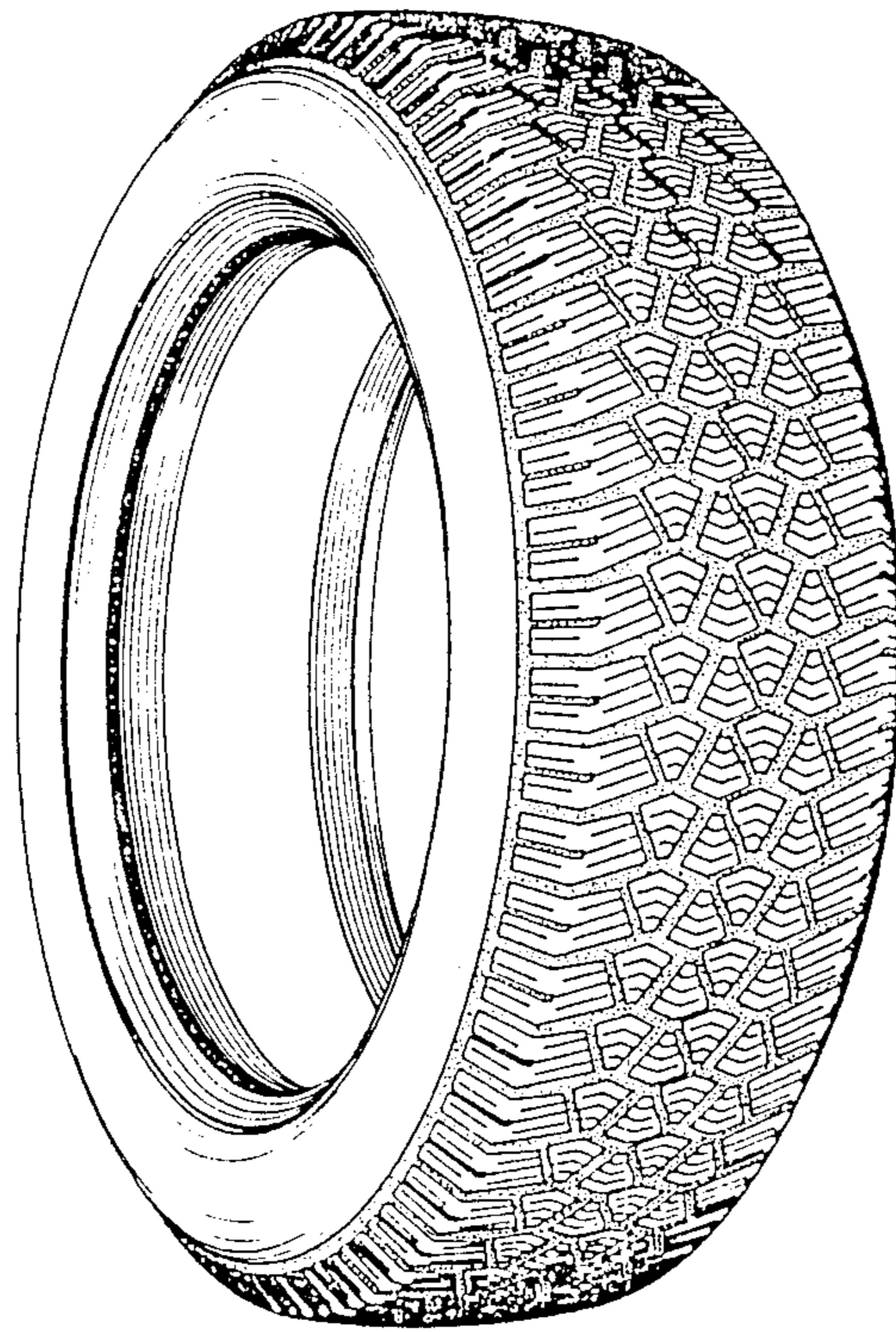


FIG. 2

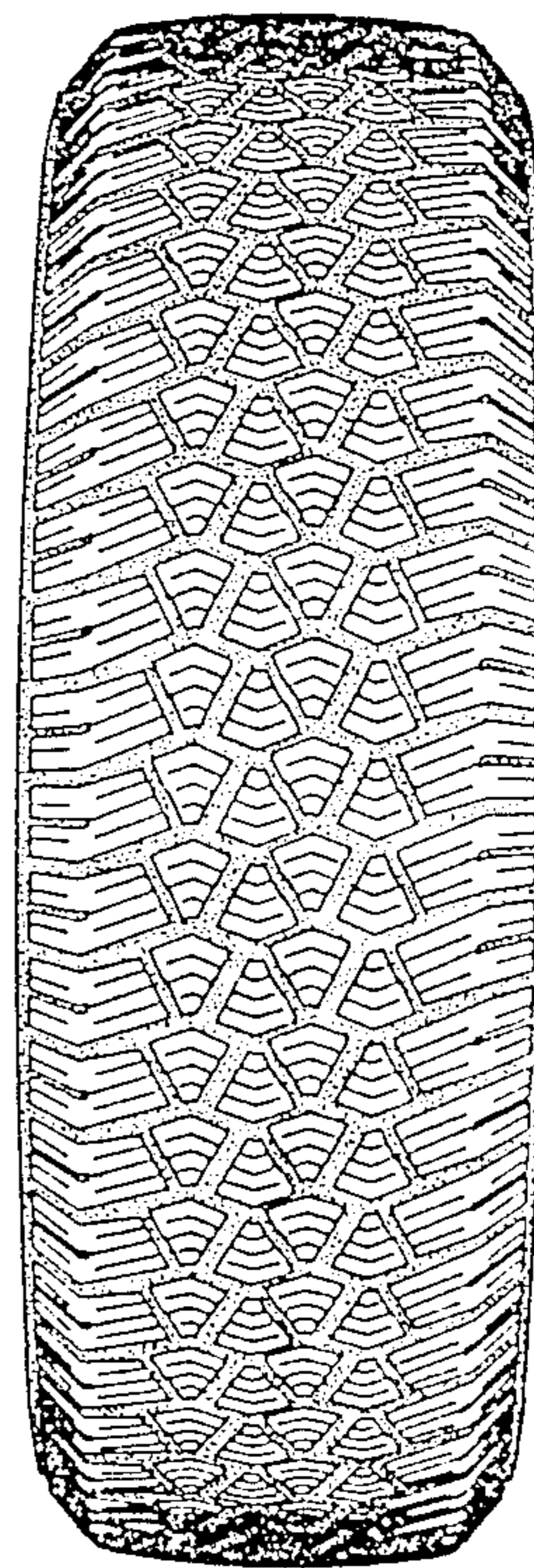


FIG. 3

