

[54] **TRAILER**

[76] **Inventor: Ronald D. Gerdes, Rte. 2, Box 149,
Black River Falls, Wis. 54615**

[**] **Term: 14 Years**

[21] **Appl. No.: 217,752**

[22] **Filed: Jul. 11, 1988**

[52] **U.S. Cl. D12/101**

[58] **Field of Search D12/101; 280/789, 781**

[56] **References Cited**

U.S. PATENT DOCUMENTS

| | | | |
|-----------|---------|--------------|---------|
| 3,042,423 | 7/1962 | Bock | 280/789 |
| 3,778,098 | 12/1973 | Tawaza | D12/101 |
| 3,795,333 | 2/1974 | Tebben | D12/101 |

Primary Examiner—James M. Gandy
Assistant Examiner—Melody Brown
Attorney, Agent, or Firm—Merchant, Gould, Smith,
Edell, Welter & Schmidt

[57] **CLAIM**

The ornamental design for a trailer, as shown and described.

DESCRIPTION

FIG. 1 is a perspective view of a trailer showing my new design;
FIG. 2 is a front elevational view thereof;
FIG. 3 is a rear elevational view thereof;
FIG. 4 is a top plan view thereof;
FIG. 5 is a left side elevational view, the right side elevational view being a mirror image thereof; and
FIG. 6 is a bottom plan view thereof.

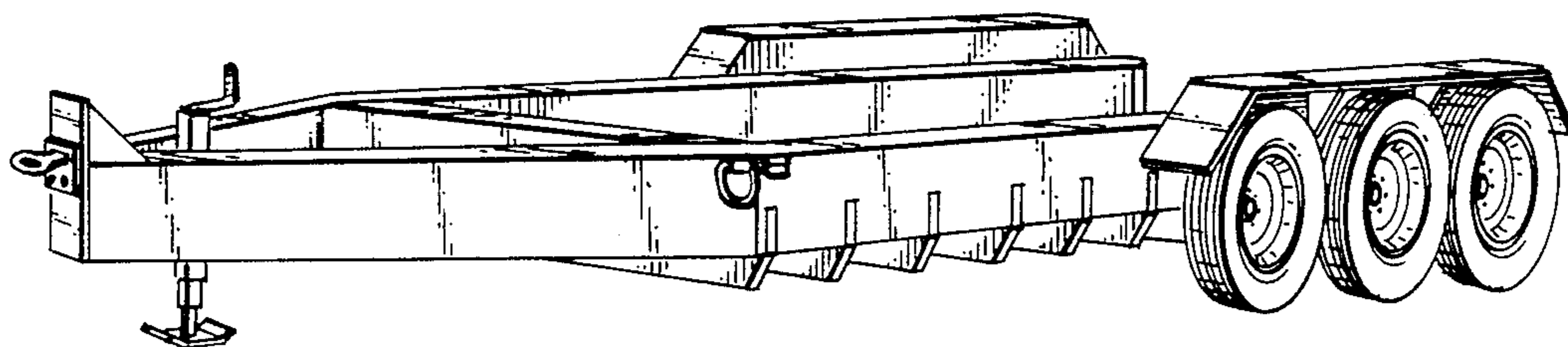


FIG. 1

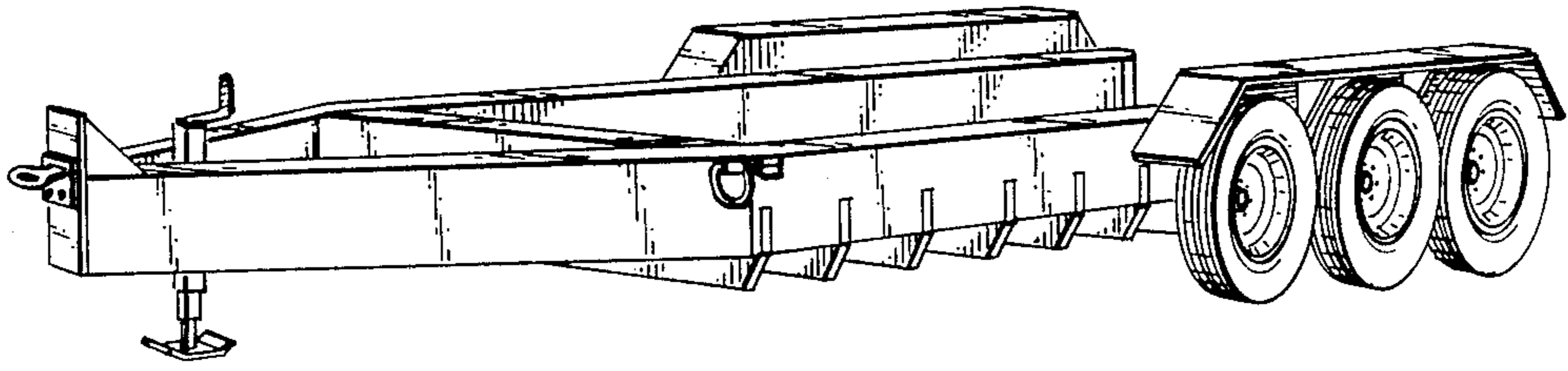


FIG. 2

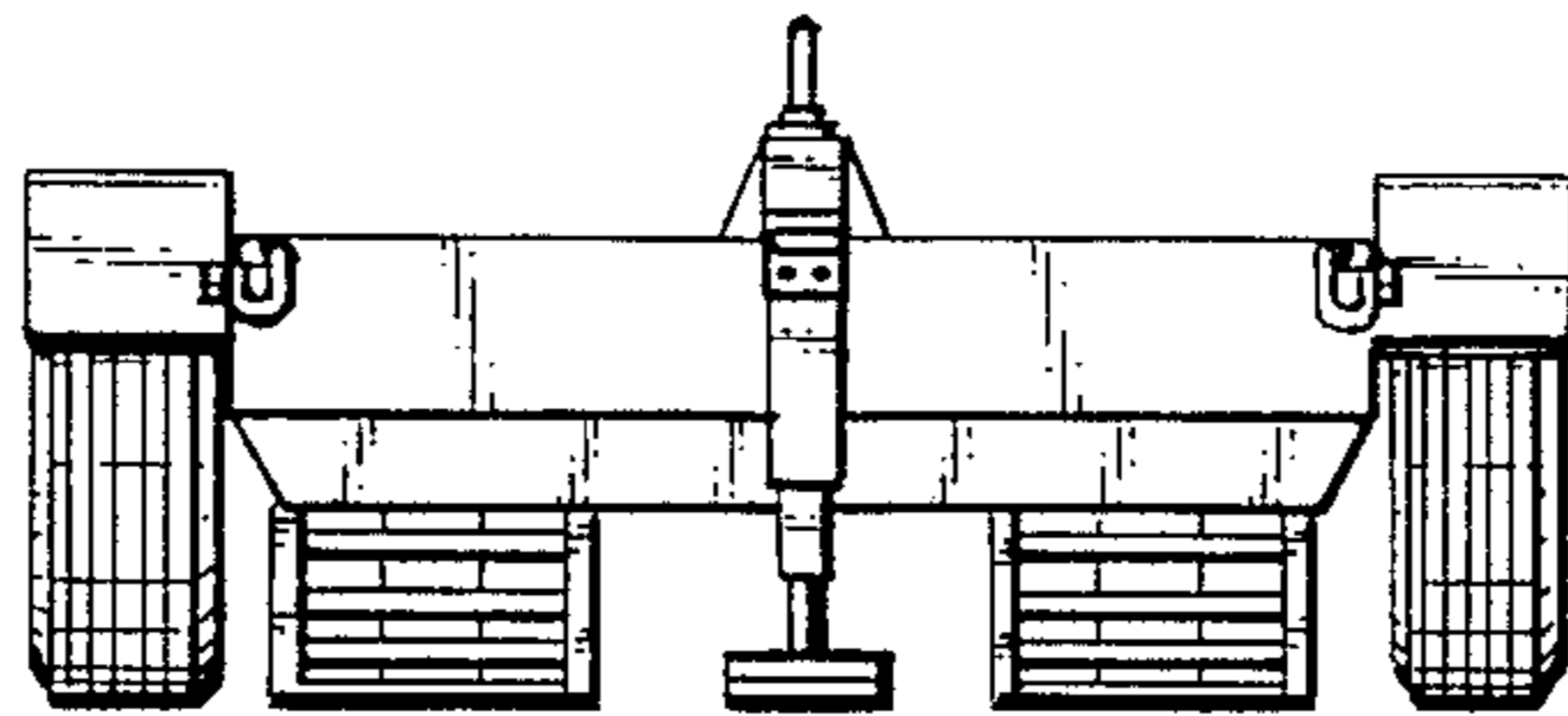
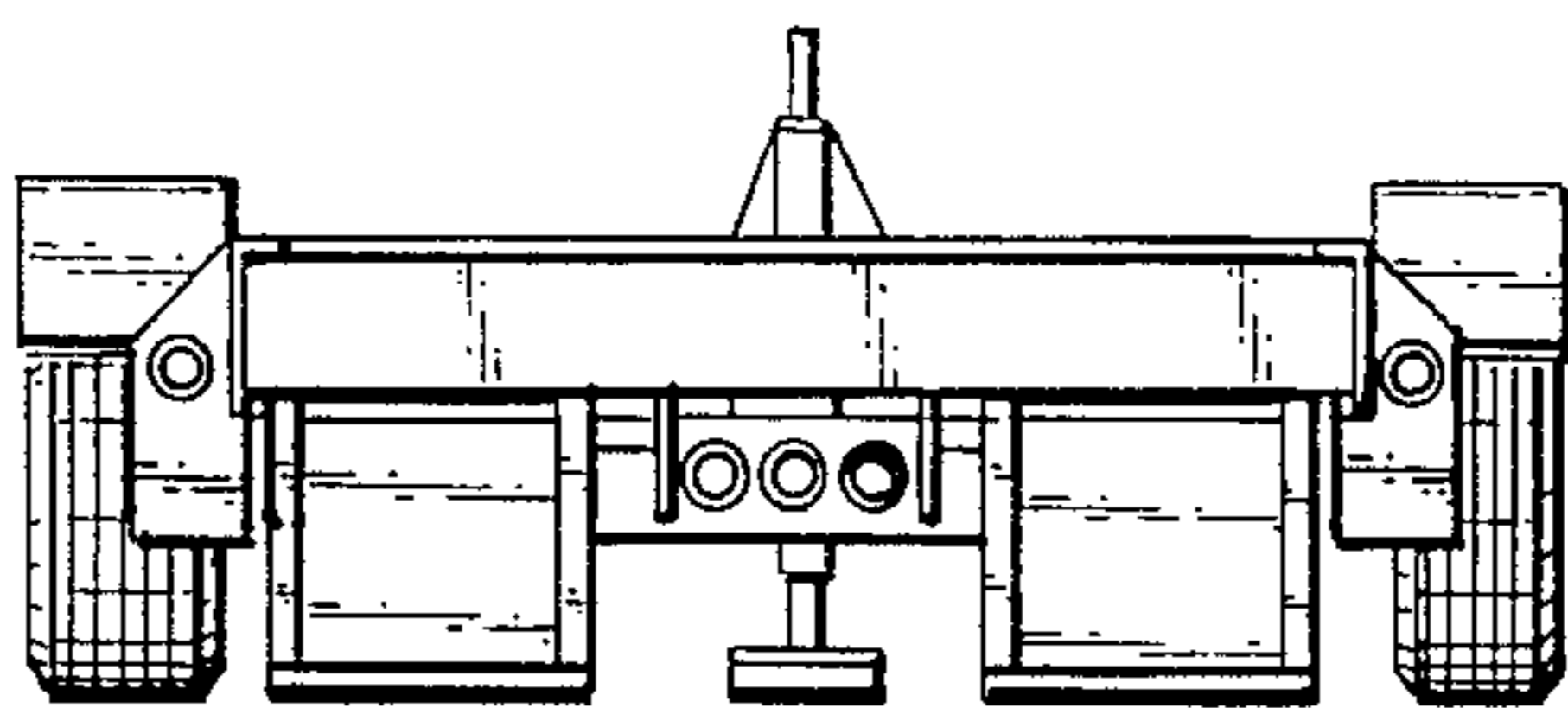


FIG. 3



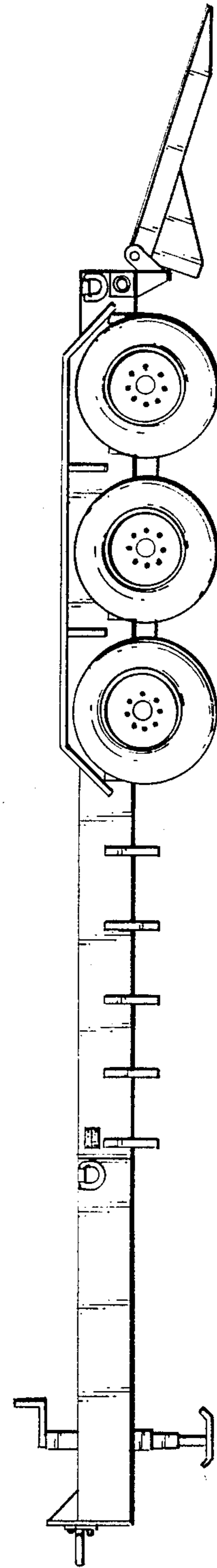
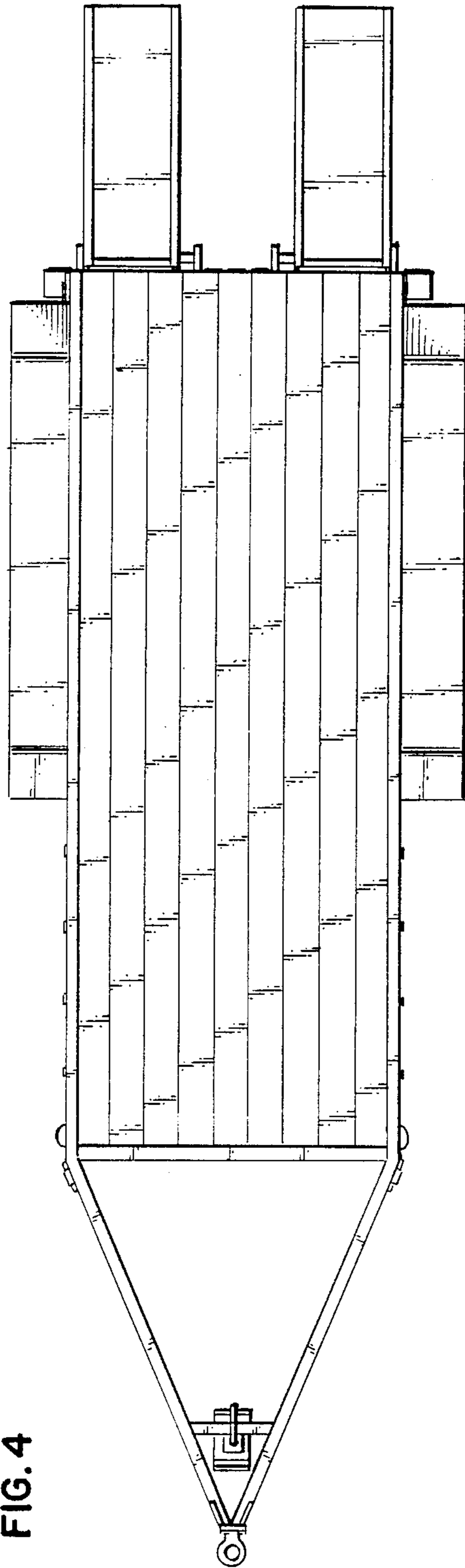


FIG. 4

FIG. 5

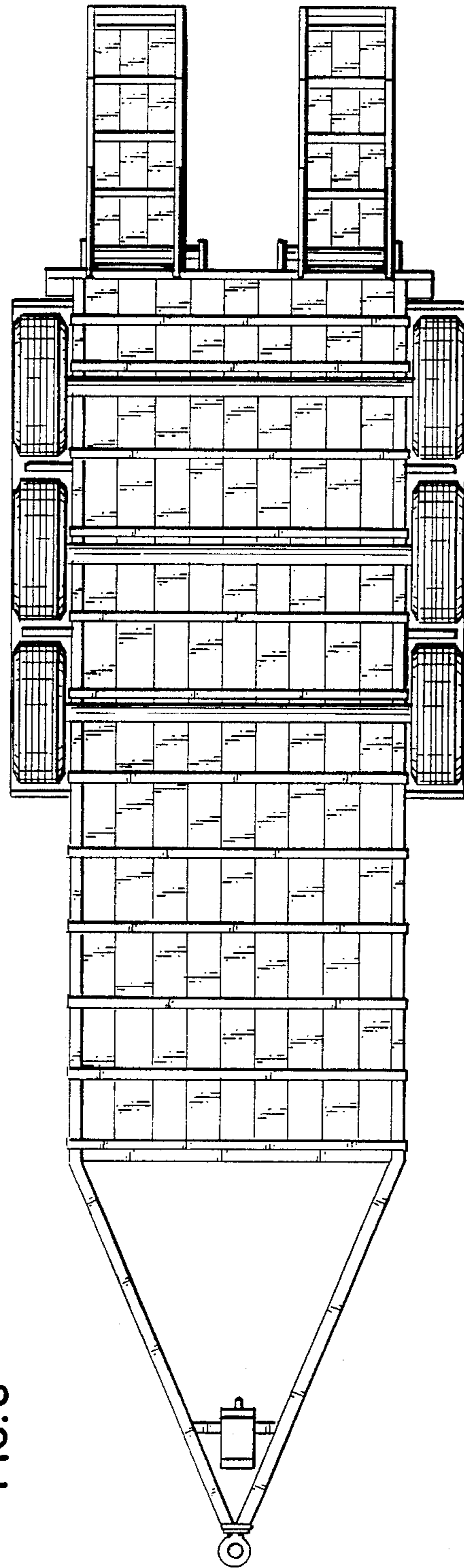


FIG. 6