

[54] FOUR WHEELED VEHICLE

D. 301,849 6/1989 Oba et al. D12/87

[75] Inventors: Yutaka Murata, Fujimi; Kazuhiko Yokoyama, Kamifukuoka; Mutsumi Koshiishi, Tokyo; Akio Makita, Kawagoe; Yasuharu Ishino, Fujimi, all of Japan

Primary Examiner—James M. Gandy

[57] CLAIM

The ornamental design for a four wheeled vehicle, as shown and described.

[73] Assignee: Honda Giken Kogyo Kabushiki Kaisha, Tokyo, Japan

DESCRIPTION

[**] Term: 14 Years

FIG. 1 is a perspective view of a four wheeled vehicle showing our new design; FIG. 2 is a left side perspective view thereof; FIG. 3 is a right side perspective view thereof; FIG. 4 is a front perspective view thereof; FIG. 5 is a rear perspective view thereof; FIG. 6 is a top perspective view thereof; FIG. 7 is a perspective view of a four wheeled vehicle showing a second embodiment of our new design; FIG. 8 is a left side perspective view of FIG. 7; FIG. 9 is a right side perspective view of FIG. 7; FIG. 10 is a front perspective view of FIG. 7; FIG. 11 is a rear perspective view of FIG. 7; and FIG. 12 is a top perspective view of FIG. 7.

[21] Appl. No.: 223,173

[22] Filed: Jul. 21, 1988

[52] U.S. Cl. D12/87

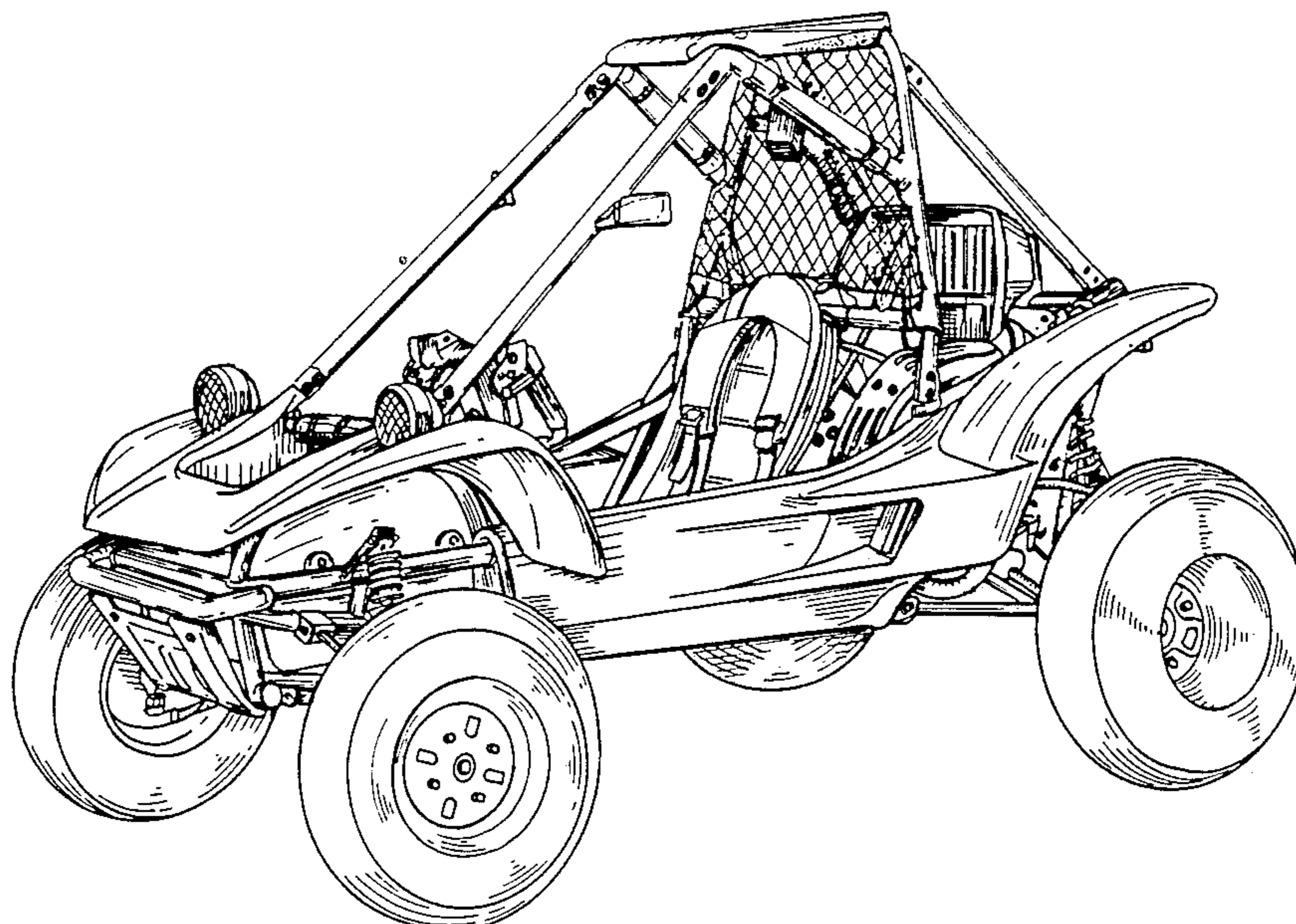
[58] Field of Search D12/86, 87; D21/136

[56] References Cited

U.S. PATENT DOCUMENTS

D. 286,760 11/1986 Ooba et al. D12/87

D. 300,011 2/1989 Oba et al. D12/87



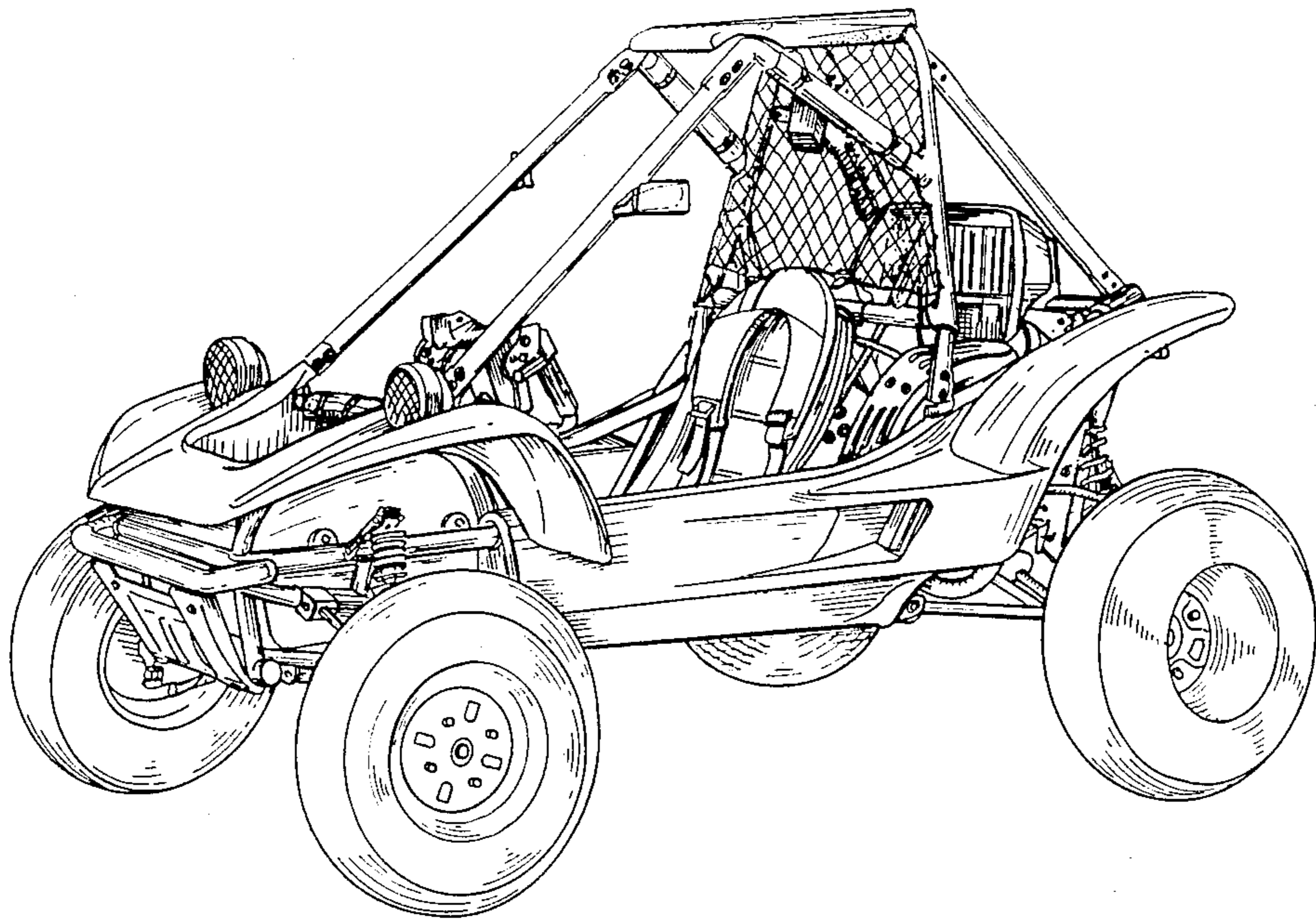


FIG. 1

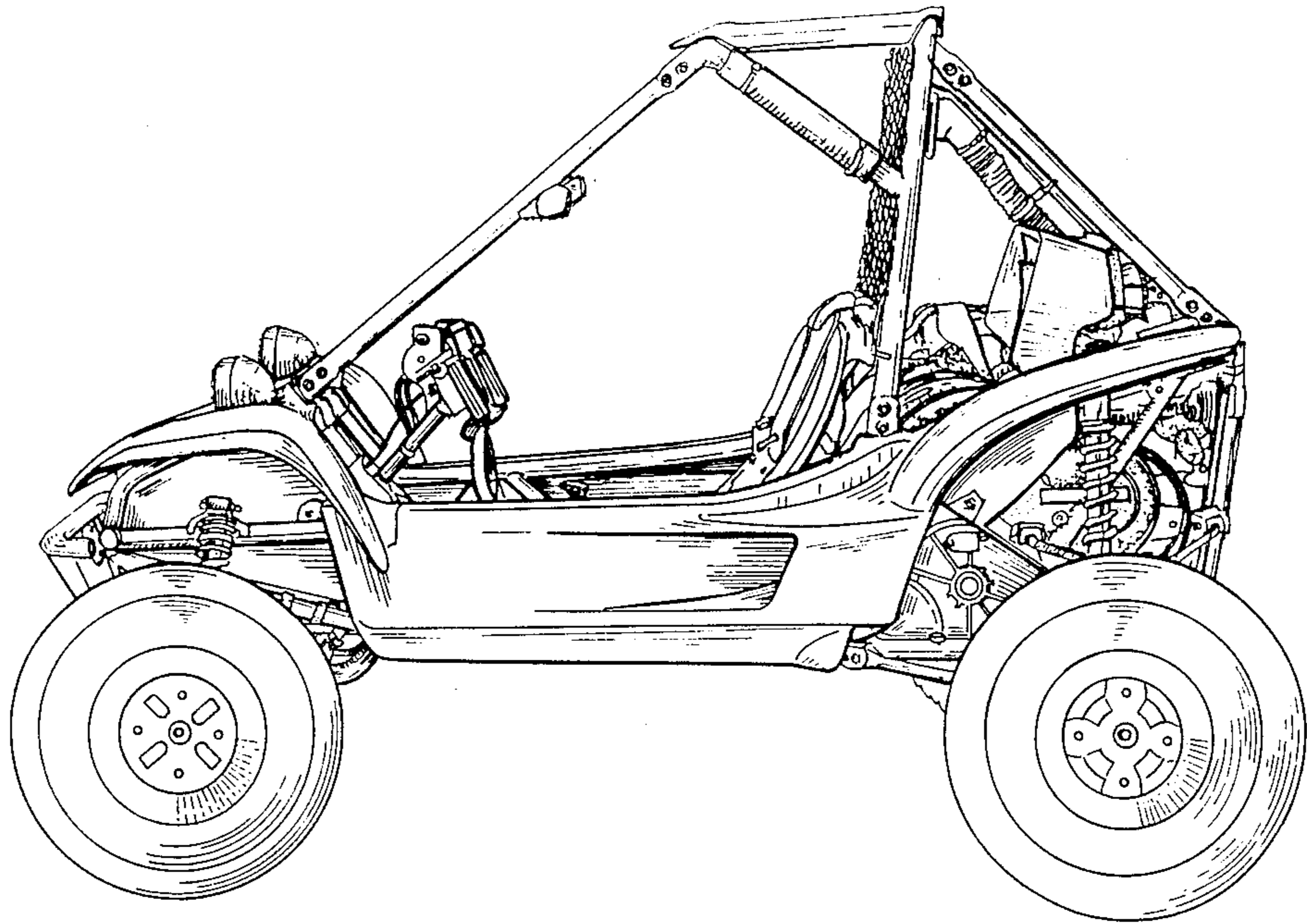


FIG. 2

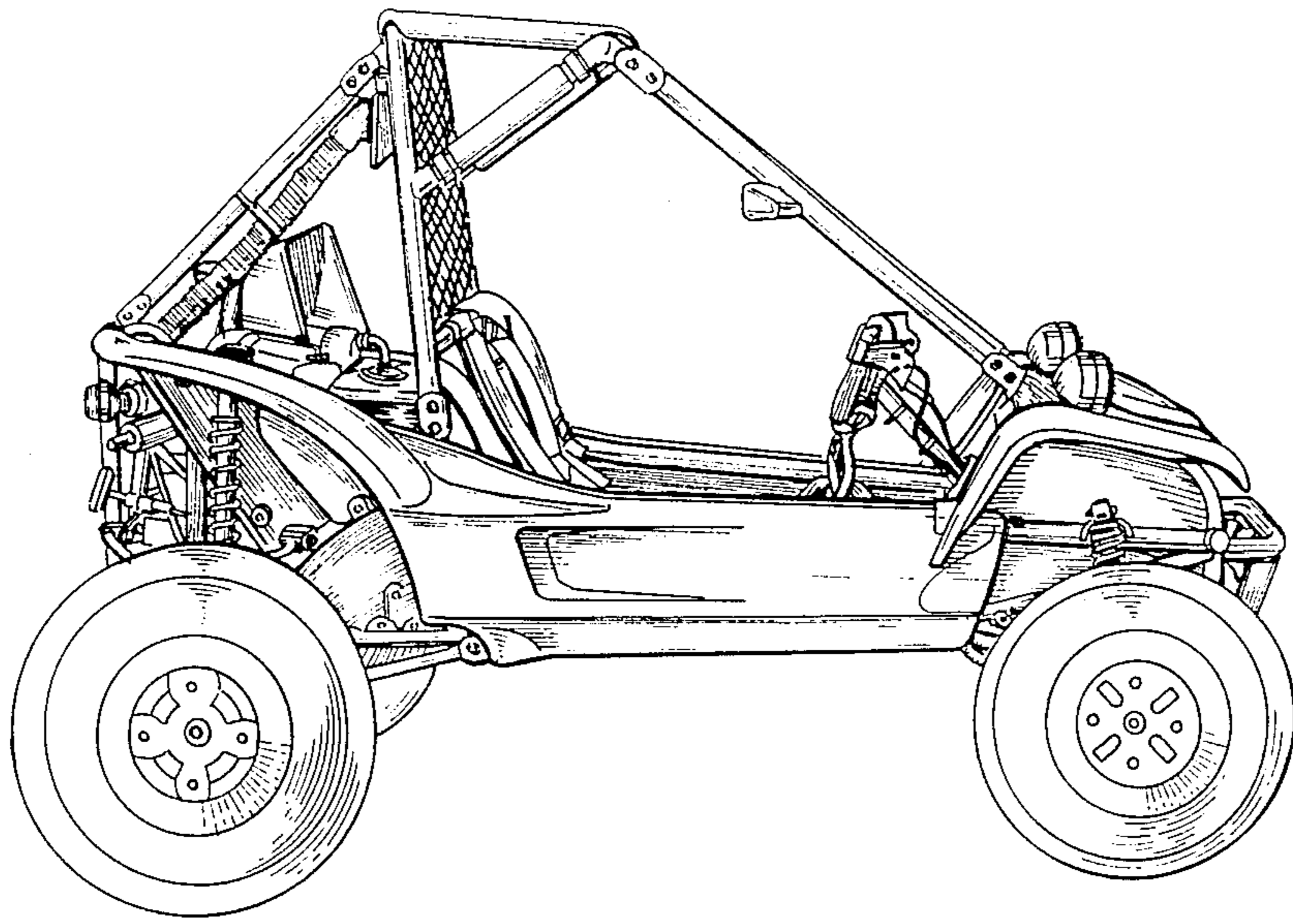


FIG. 3

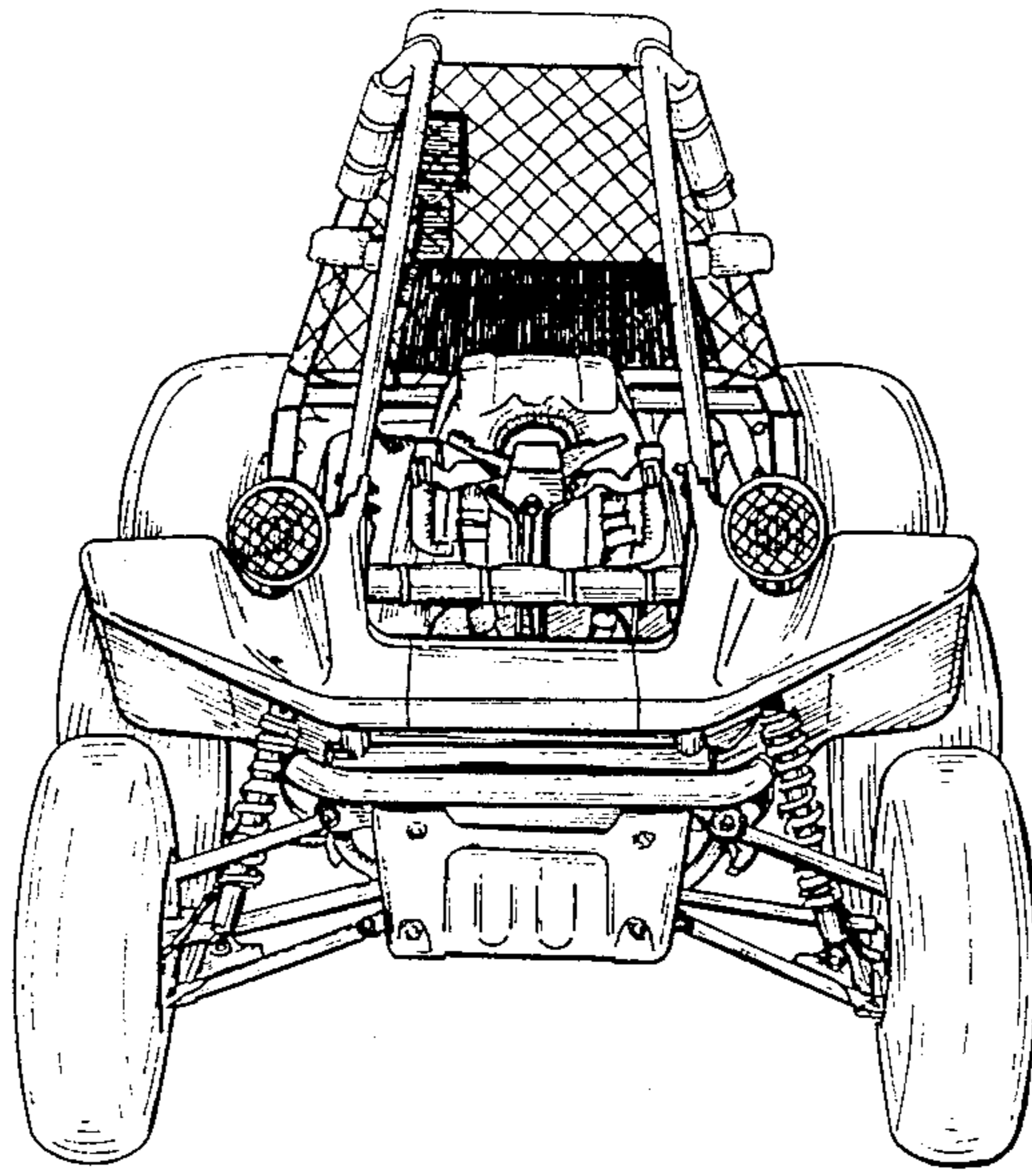


FIG. 4

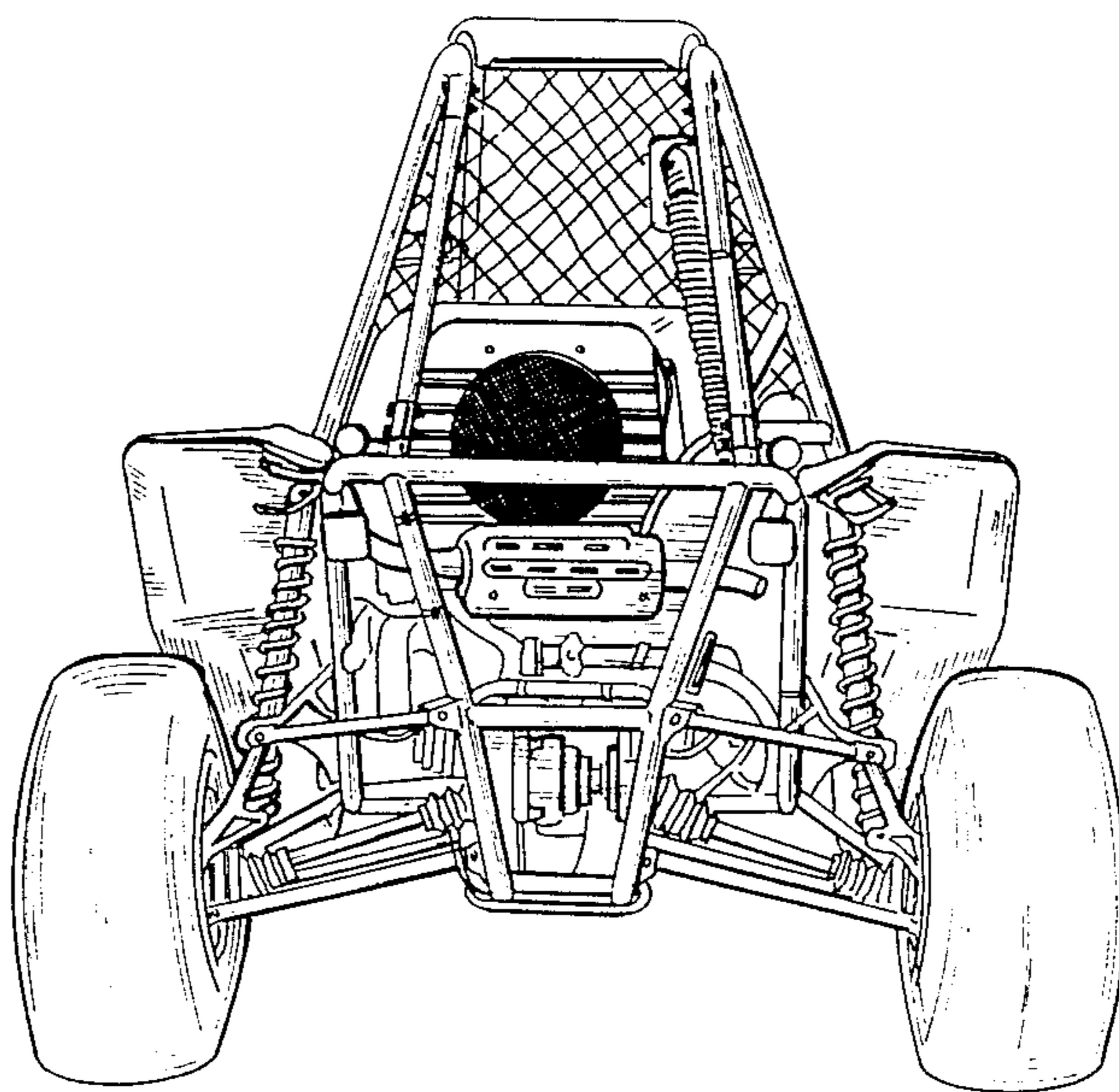


FIG. 5

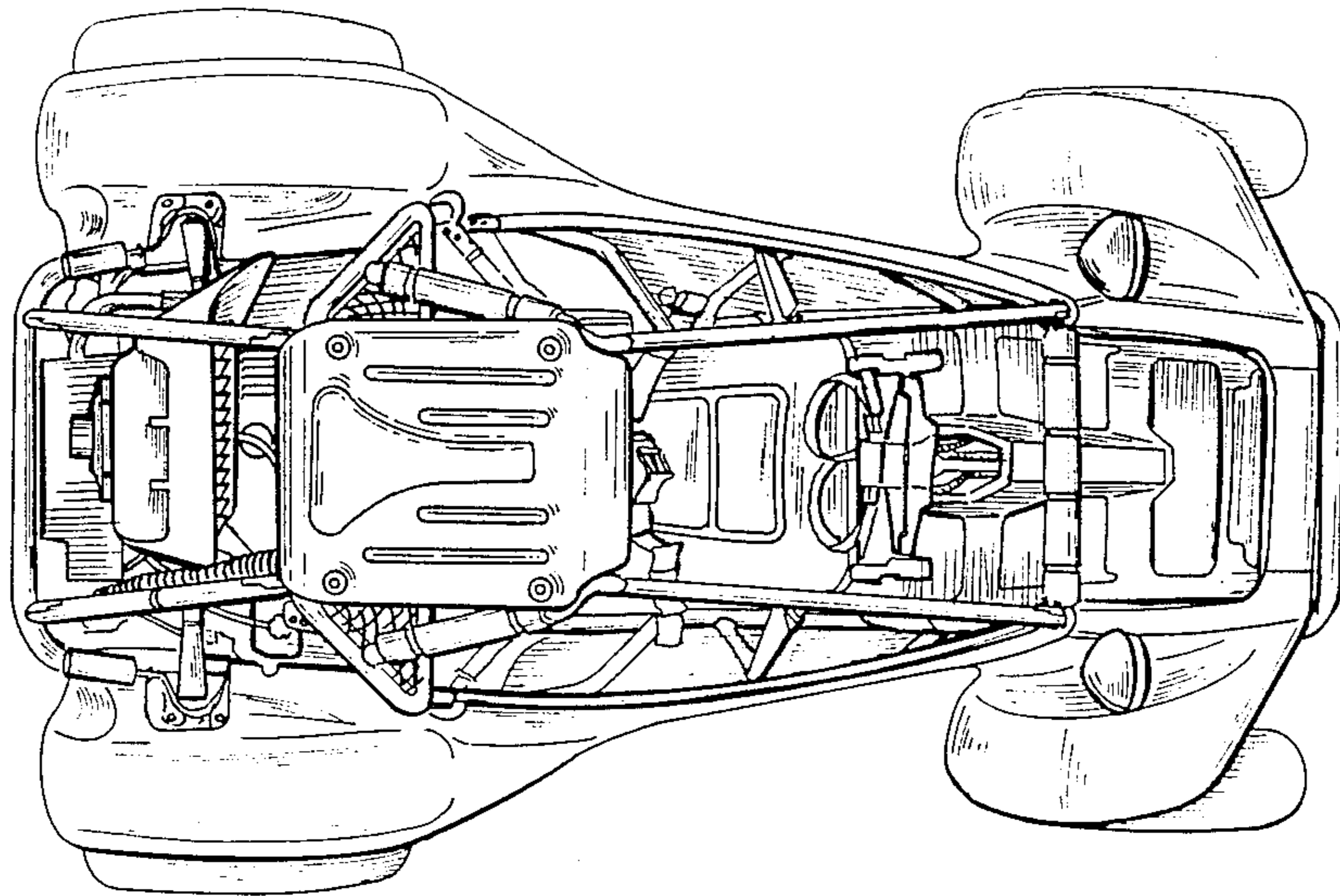


FIG. 6

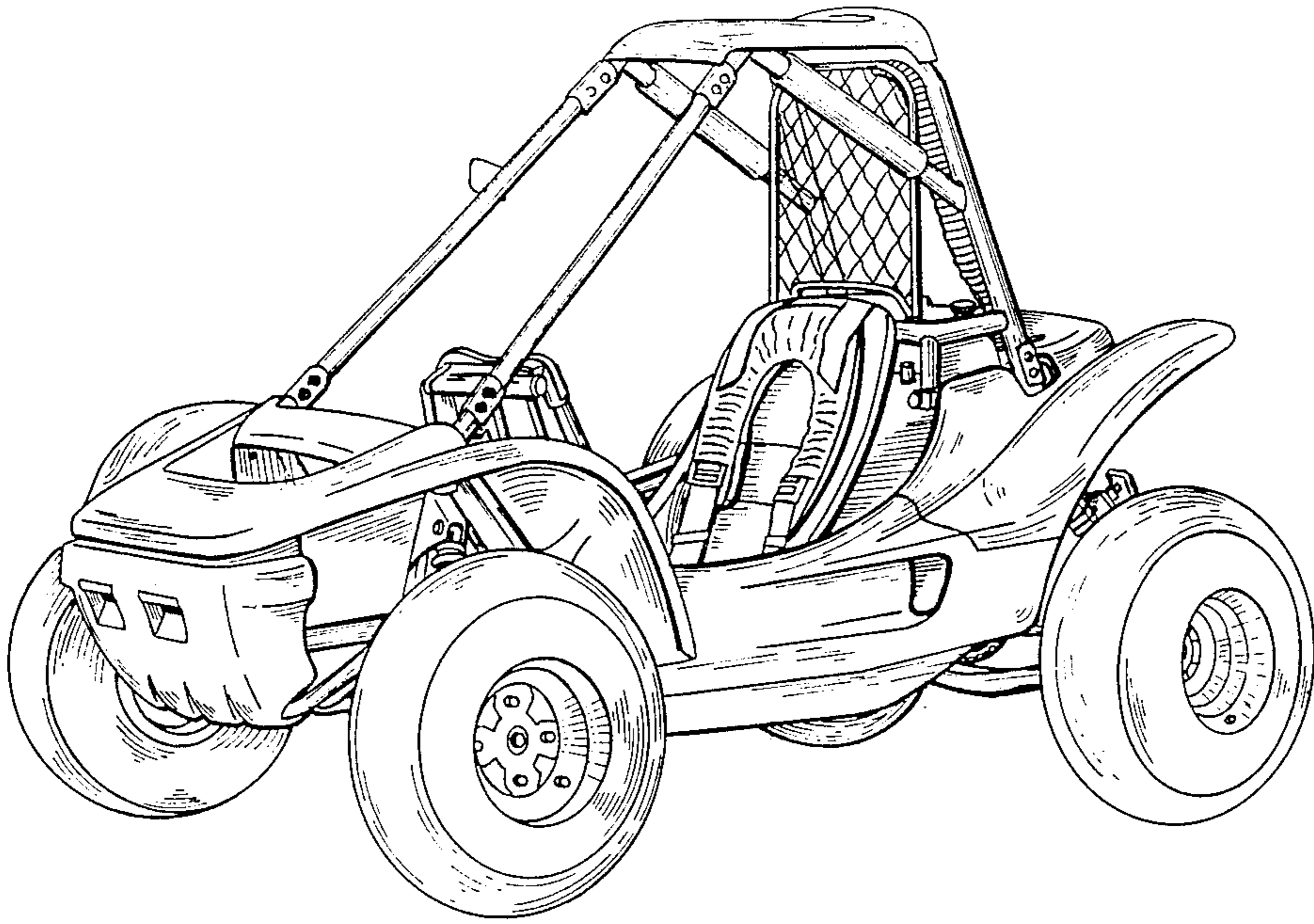


FIG. 7

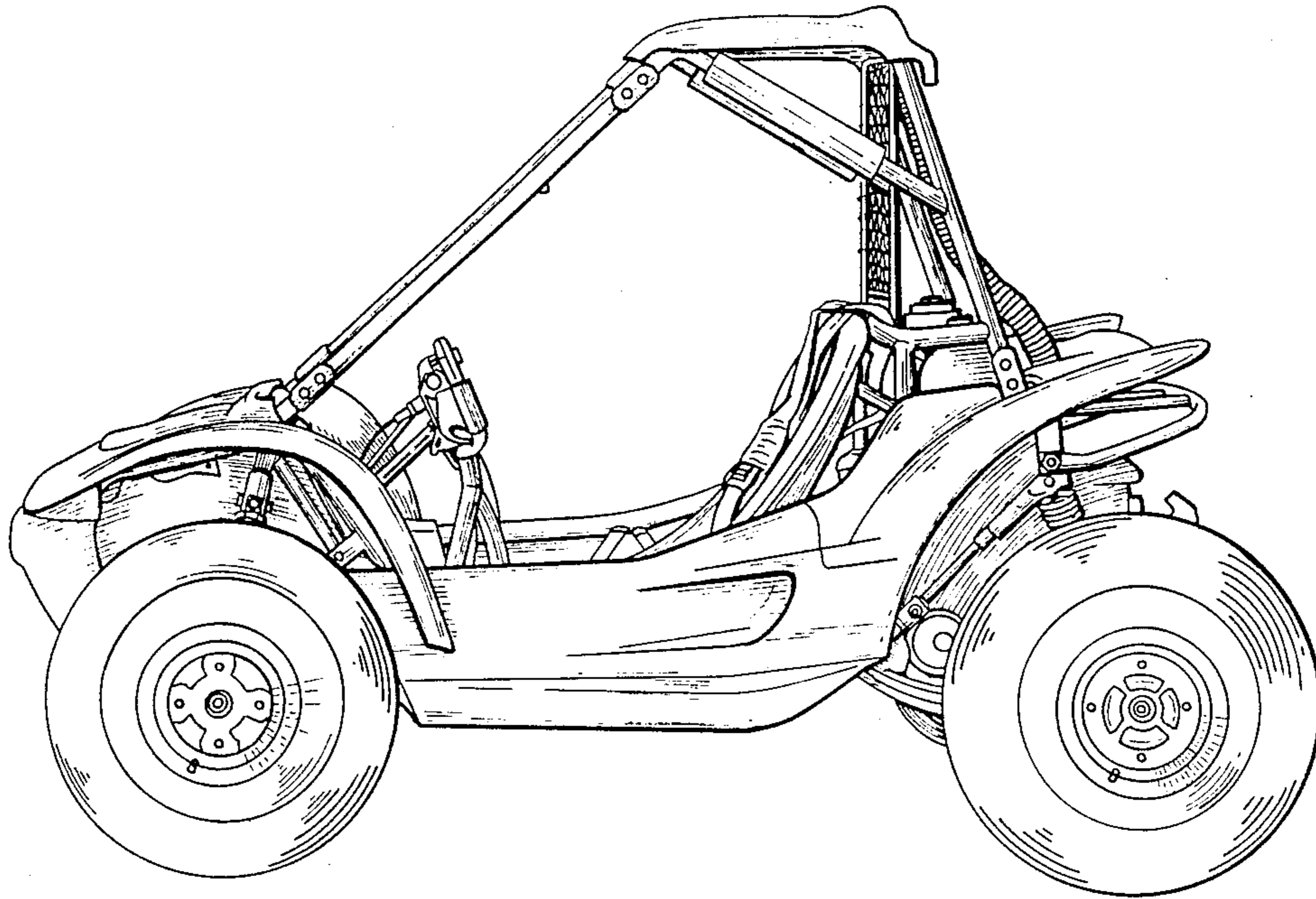


FIG. 8

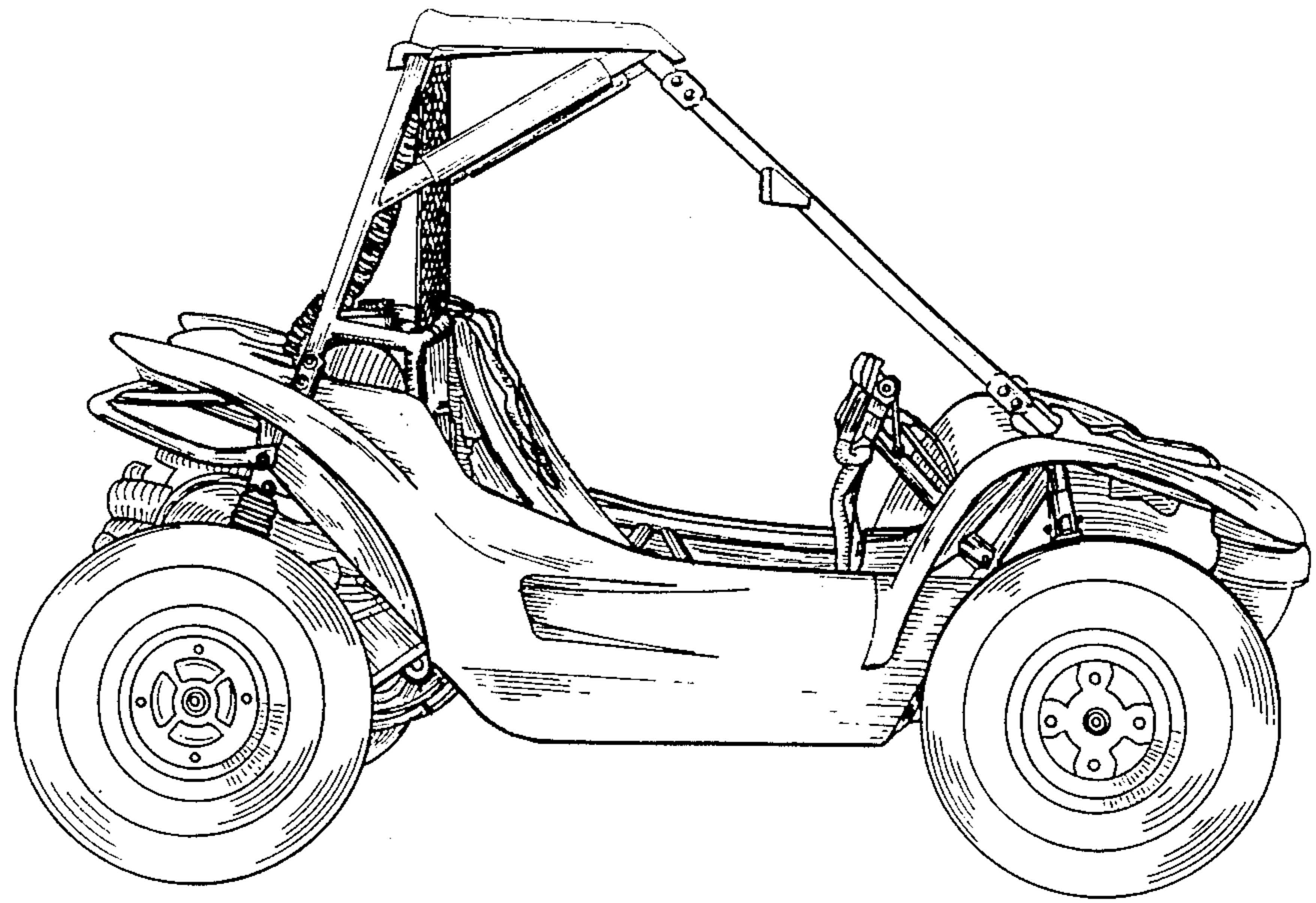


FIG. 9

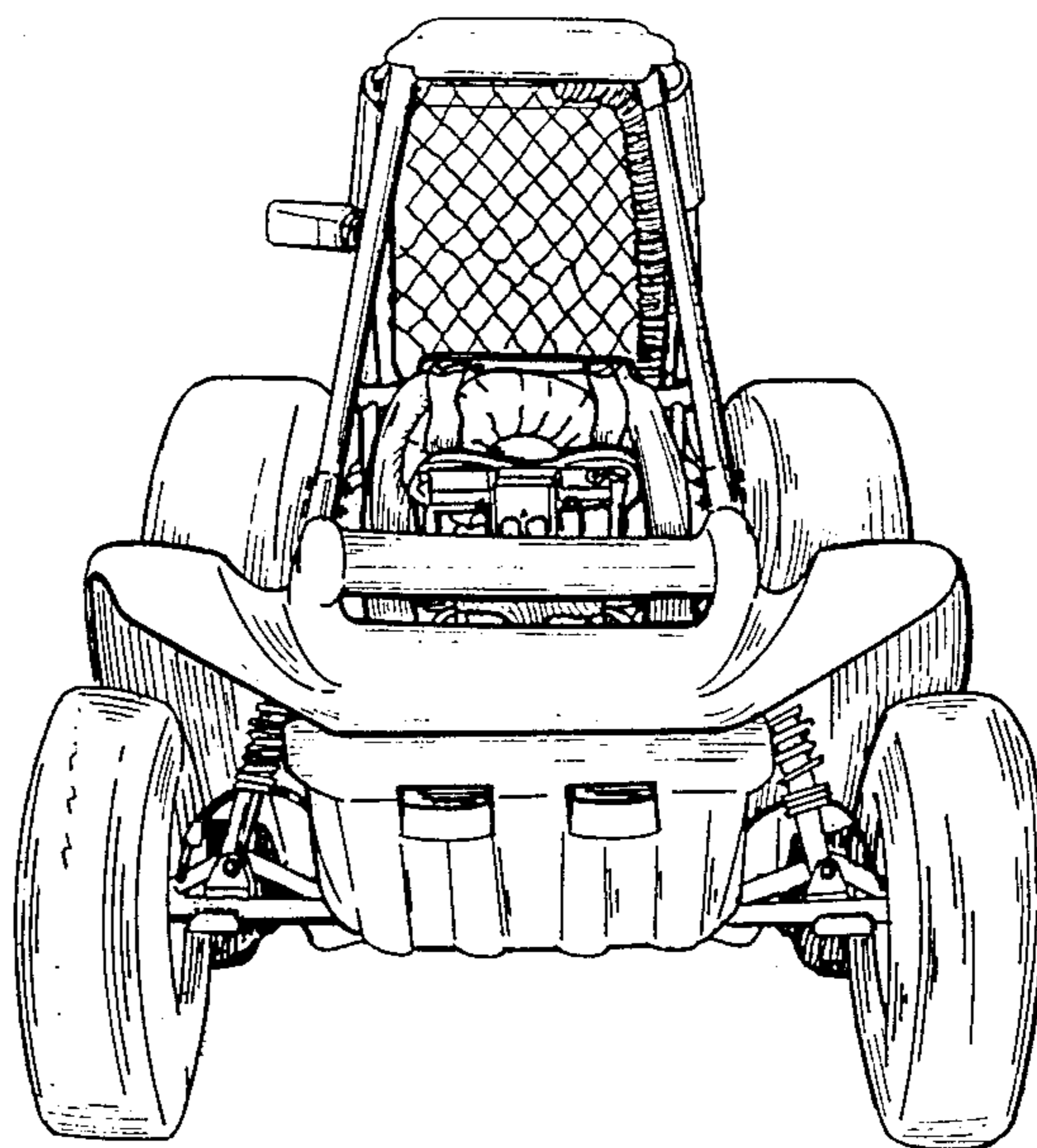


FIG. 10

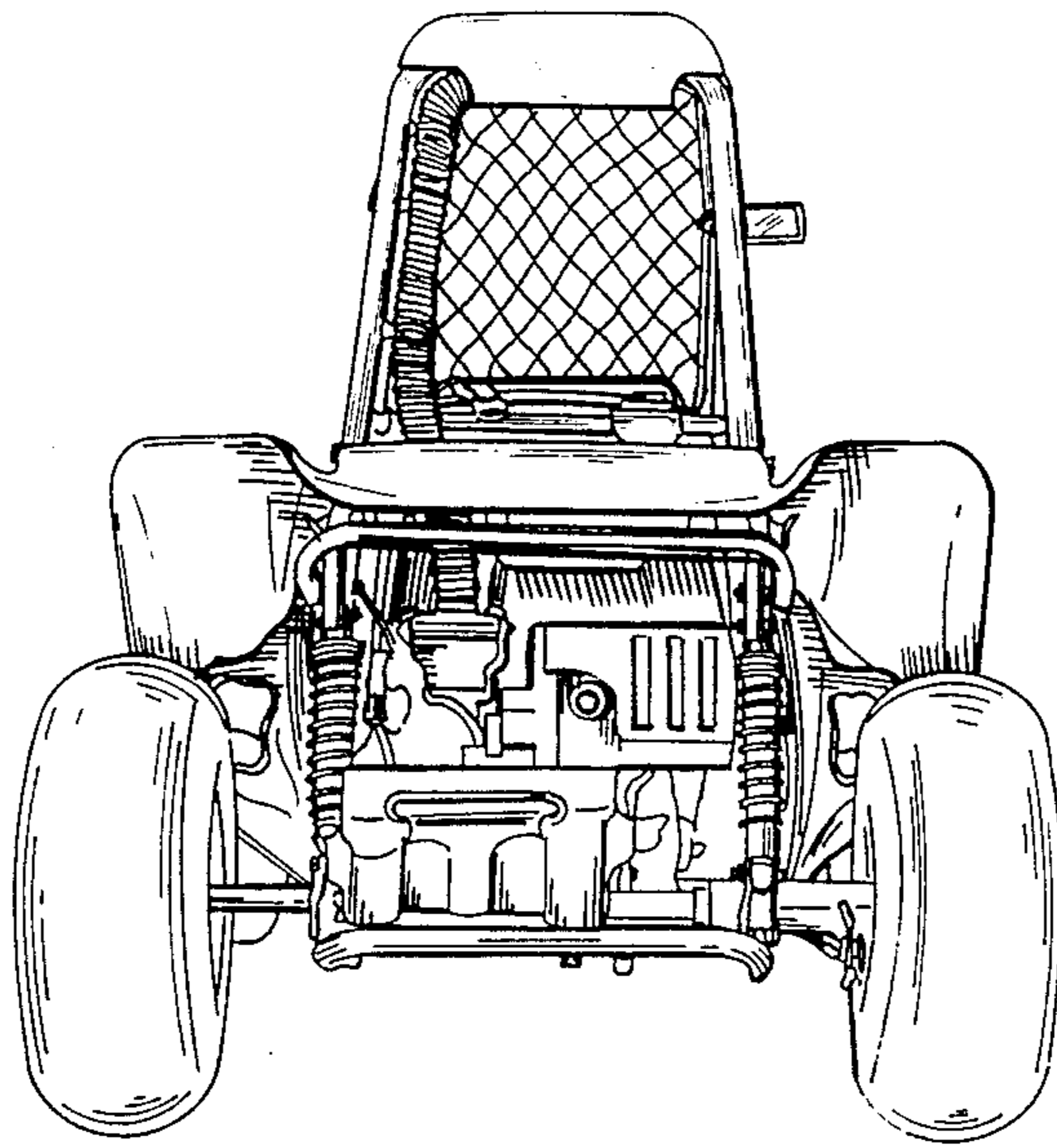


FIG. 11

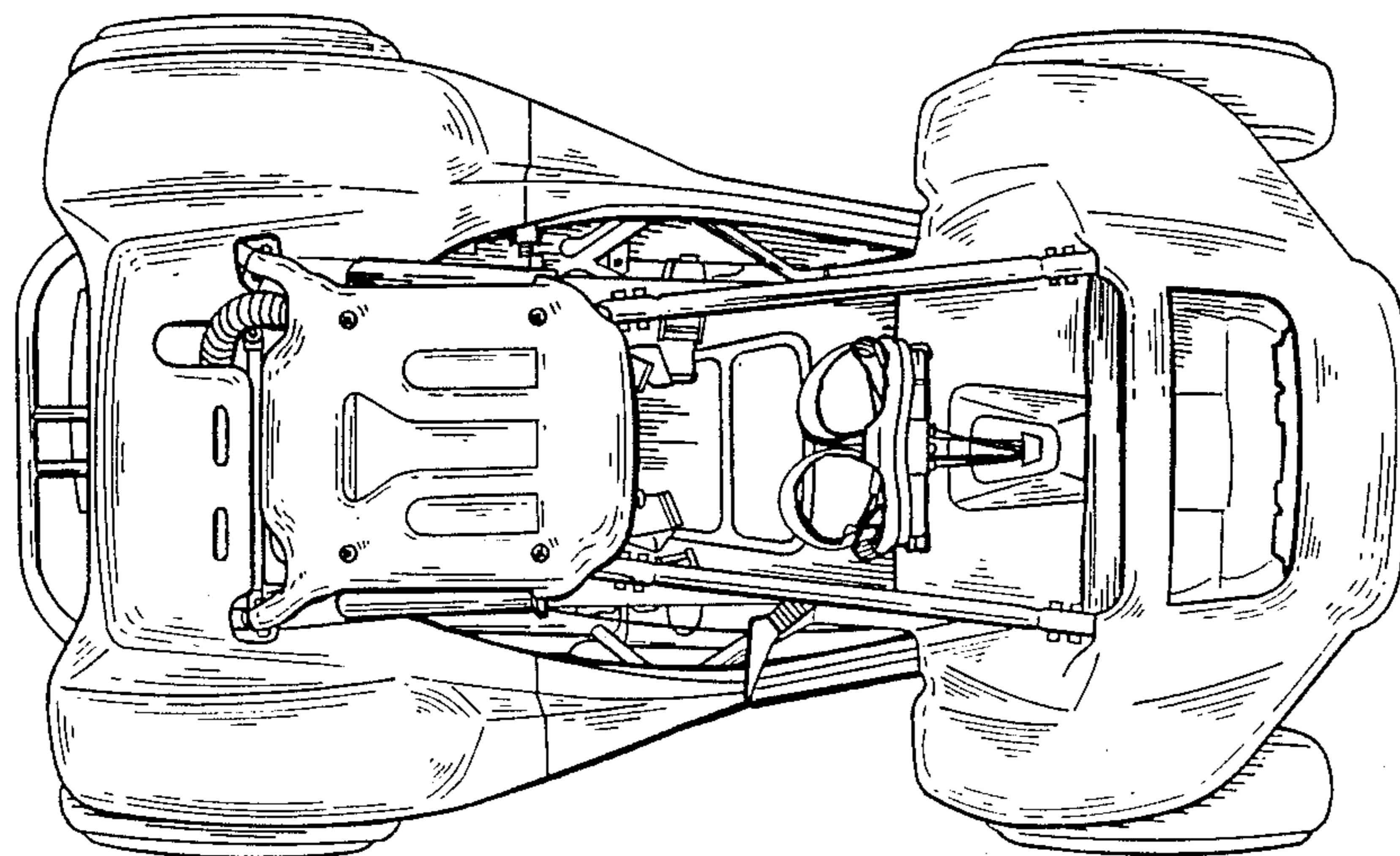


FIG. 12