

[54] BUCKLE

[76] Inventor: John E. Bianchi, 100 Calle Cortez, Temecula, Calif. 92390

[**] Term: 14 Years

[21] Appl. No.: 286,701

[22] Filed: Dec. 20, 1988

[52] U.S. Cl. D11/216

[58] Field of Search D11/200, 215-216, D11/218, 231; 24/574, 633, 573, 631, 641, 616, 170, 305; 297/467

[56] References Cited

U.S. PATENT DOCUMENTS

D. 289,622 5/1987 Crowle et al. D11/216
4,800,629 1/1989 Ikeda 24/170

FOREIGN PATENT DOCUMENTS

2083543 3/1982 United Kingdom 24/305

OTHER PUBLICATIONS

Luggage & Travelware, Apr. 1982, p. 5, Fastex Ad.—buckle located left center of page.

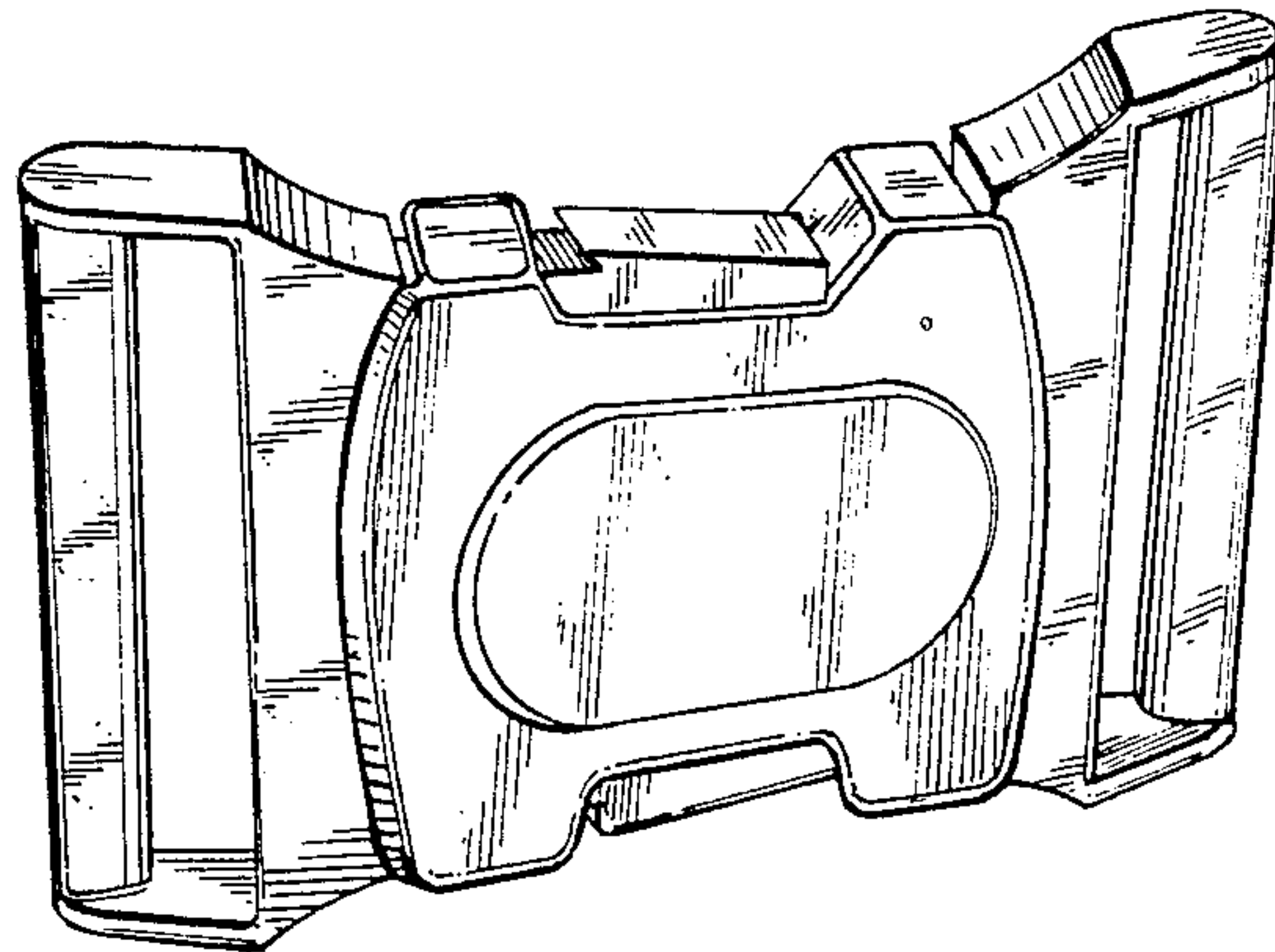
Primary Examiner—Louis S. Zarfes
Assistant Examiner—R. T. Seifert
Attorney, Agent, or Firm—Wagner & Middlebrook

[57] CLAIM

The ornamental design for a buckle, as shown and described.

DESCRIPTION

FIG. 1 is a perspective view of a buckle showing my new design;
FIG. 2 is a front elevational view;
FIG. 3 is a left side elevational view; the opposite side being a mirror image;
FIG. 4 is a top plan view, the opposite side being a mirror image; and
FIG. 5 is a rear elevational view.



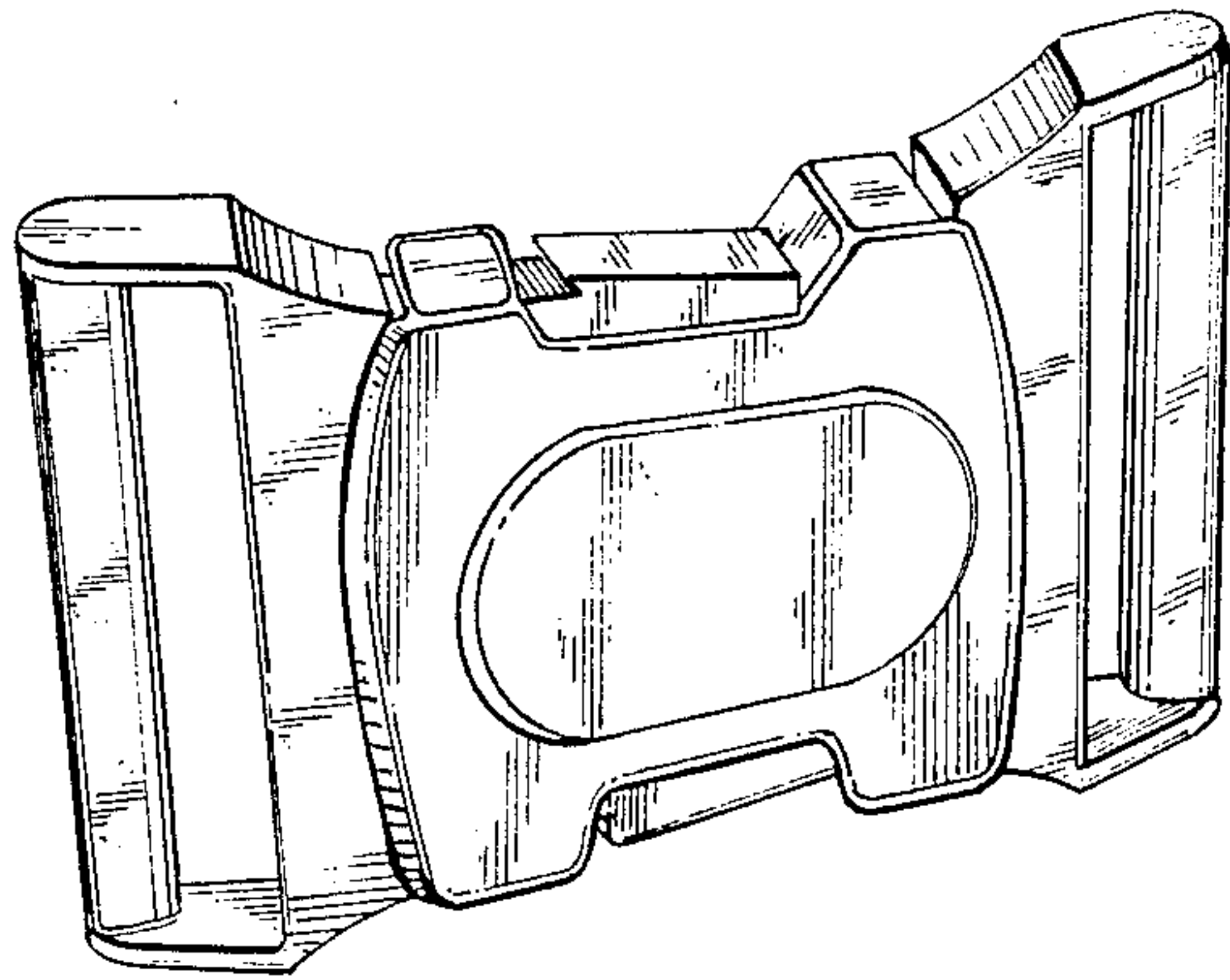


FIG. 1

FIG. 2

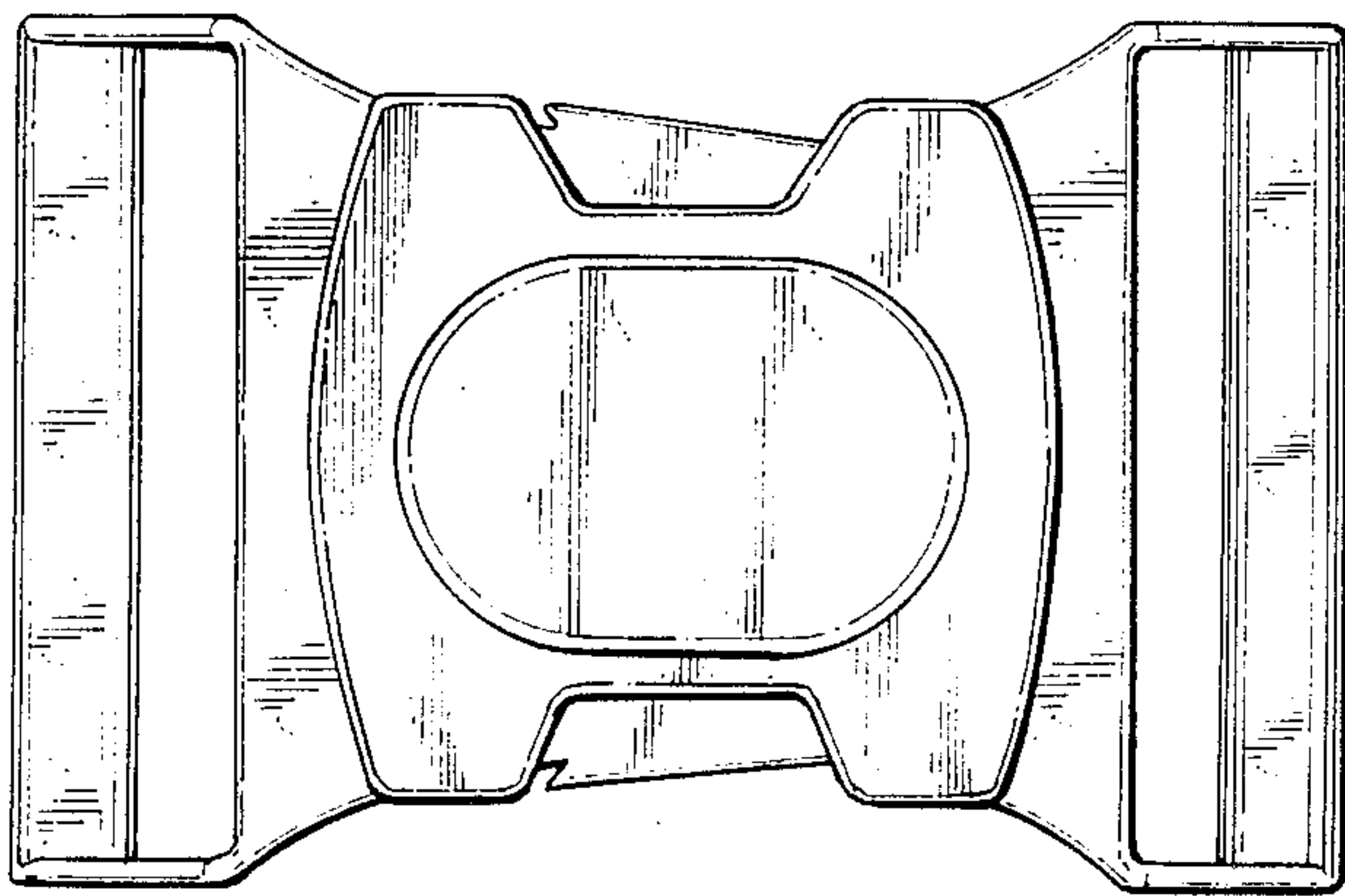


FIG. 3

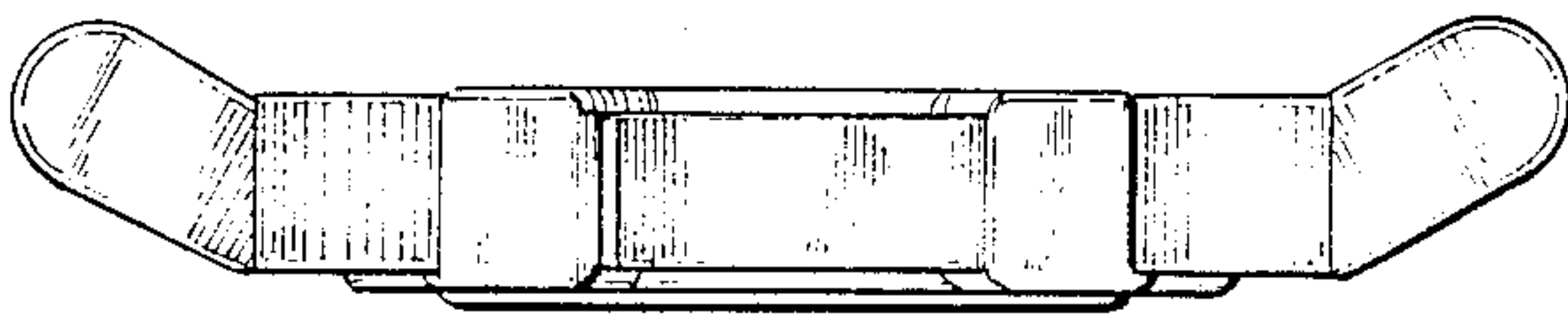
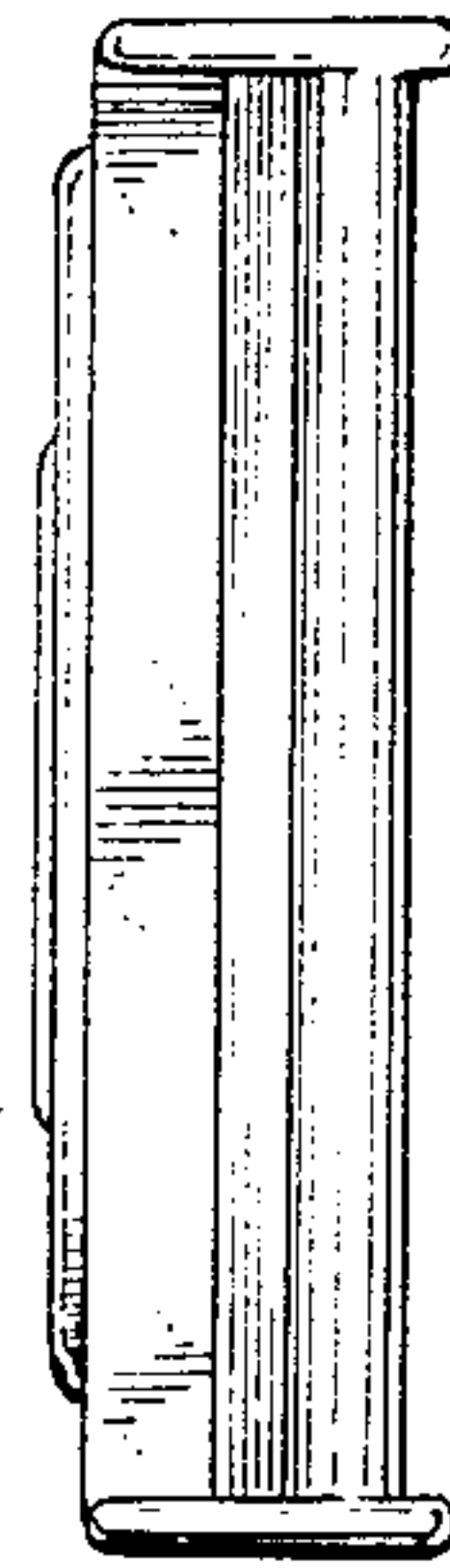


FIG. 4

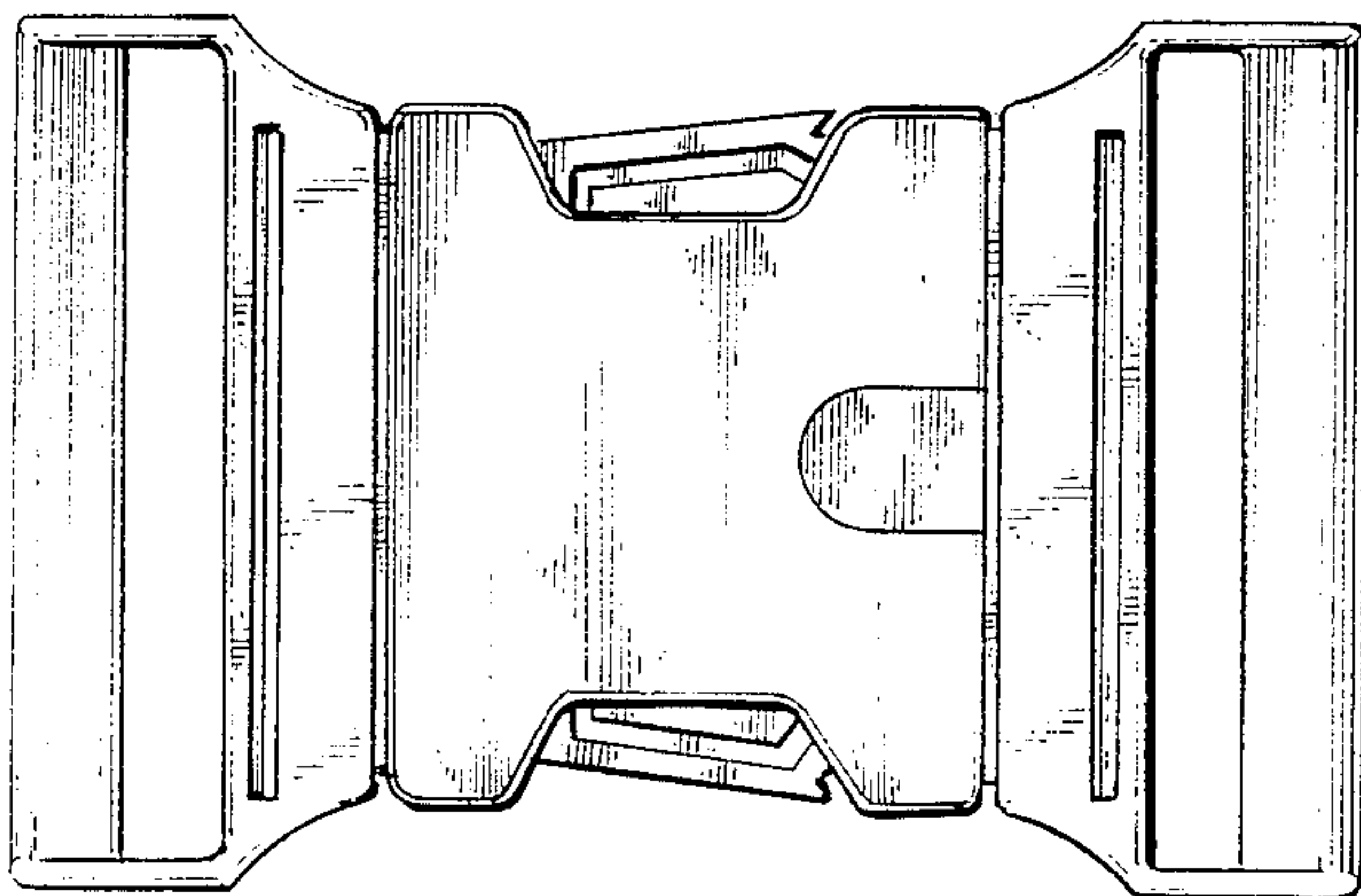


FIG. 5