

United States Patent [19]
Sprick

[11] **Patent Number: Des. 312,985**
[45] **Date of Patent: ** Dec. 18, 1990**

[54] **COLLAR STAY**
[76] **Inventor: Richard H. Sprick, R.R. #3, Box 105,
Lake City, Minn. 55041**
[**] **Term: 14 Years**
[21] **Appl. No.: 277,044**
[22] **Filed: Nov. 28, 1988**
[52] **U.S. Cl. D11/213; D11/222**
[58] **Field of Search D11/56, 202-205,
D11/213, 86, 81; 2/132, 141; 24/298, 299, 329,
305**

2,454,076 11/1948 Marx et al. 2/132
2,620,481 12/1952 Florkewicz 2/132
2,905,945 9/1959 Winter 2/132
3,005,204 10/1961 Silver 2/132
3,106,719 10/1963 Rosenfeld 2/141
3,499,192 3/1970 Holtz 24/49 P

Primary Examiner—Louis S. Zarfes
Assistant Examiner—R. T. Seifert
Attorney, Agent, or Firm—Palmatier & Sjoquist

[57] **CLAIM**

The ornamental design for a collar stay, as shown and described.

[56] **References Cited**
U.S. PATENT DOCUMENTS
D. 265,145 6/1982 Piorek D11/213
1,059,353 4/1913 Doran .
1,492,403 4/1924 Slater .
1,737,453 11/1929 Doran .
2,431,053 11/1947 Less 2/132

DESCRIPTION

FIG. 1 is a perspective view of a collar stay showing my new design;
FIG. 2 is a top plan view;
FIG. 3 is a side elevational view;
FIG. 4 is a bottom plan view; and
FIG. 5 is an end elevational view.

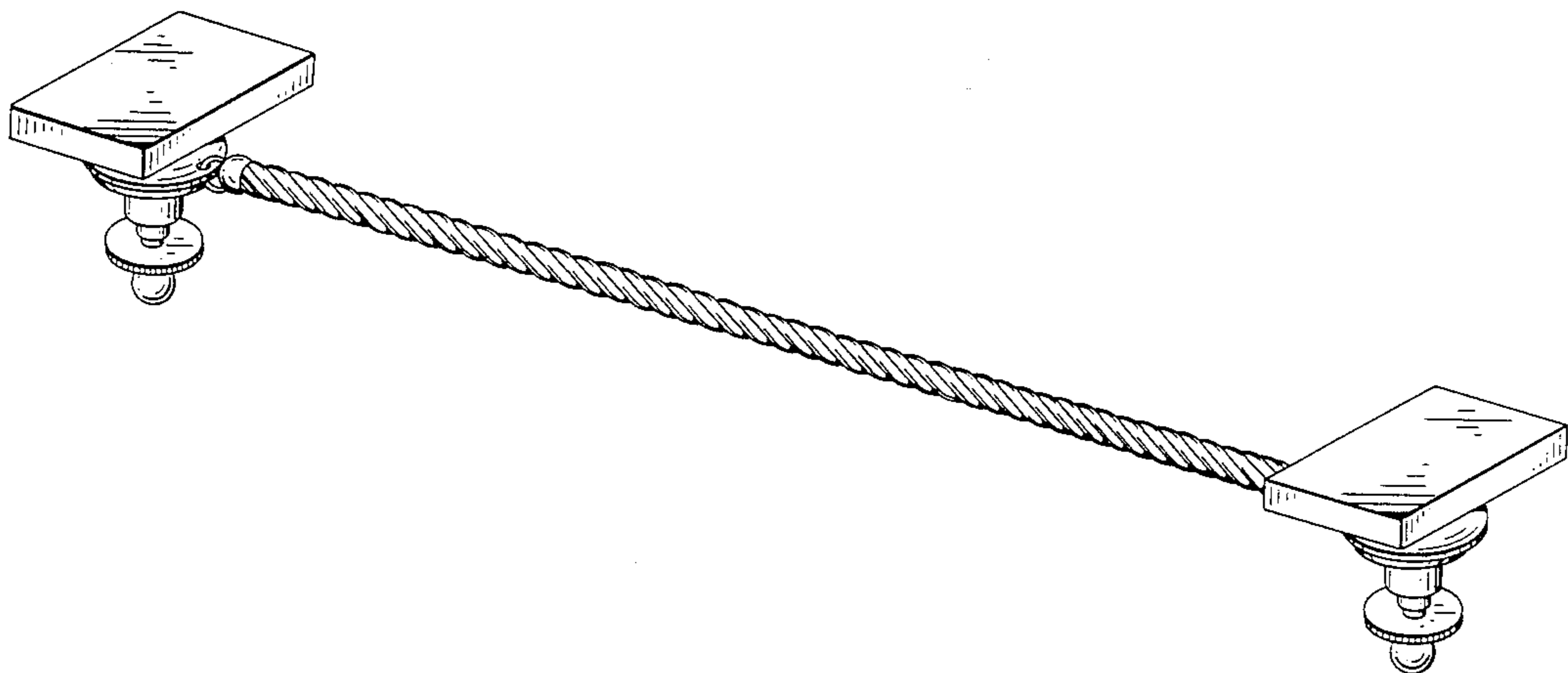


Fig. -5

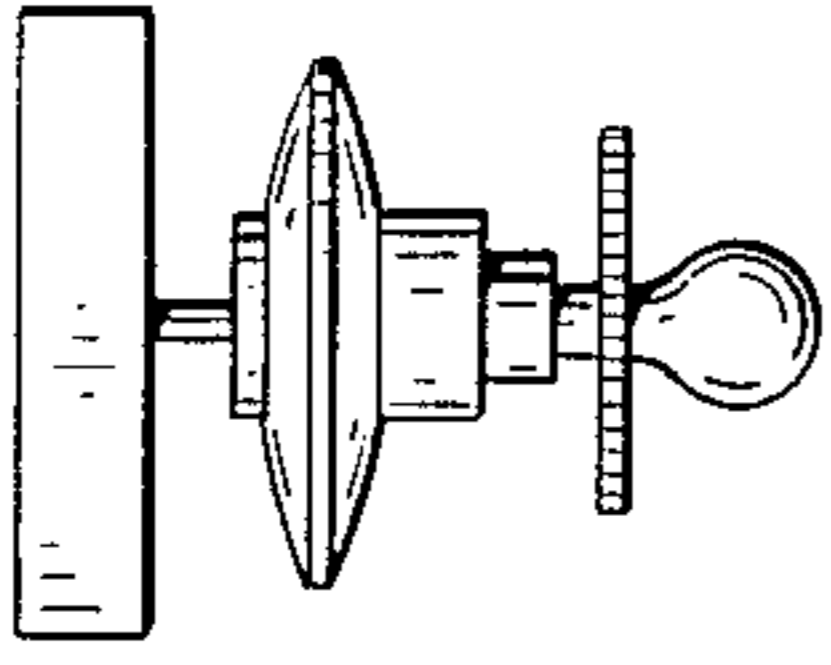


Fig. -1

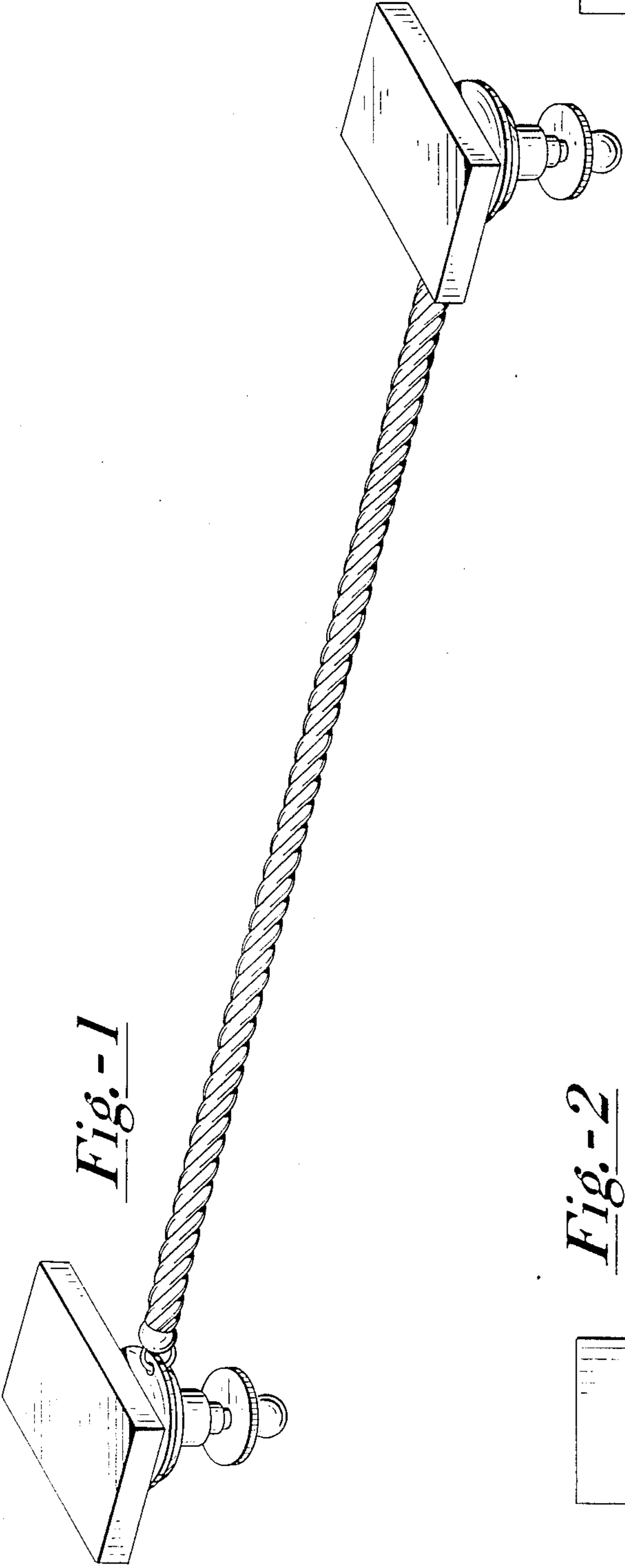


Fig. -2

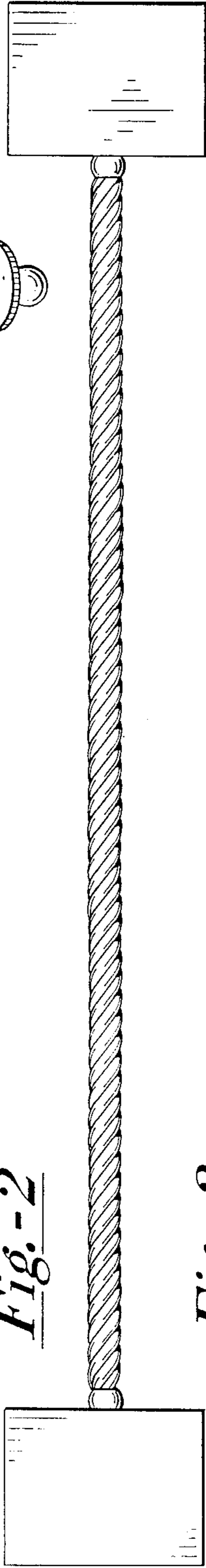


Fig. -3

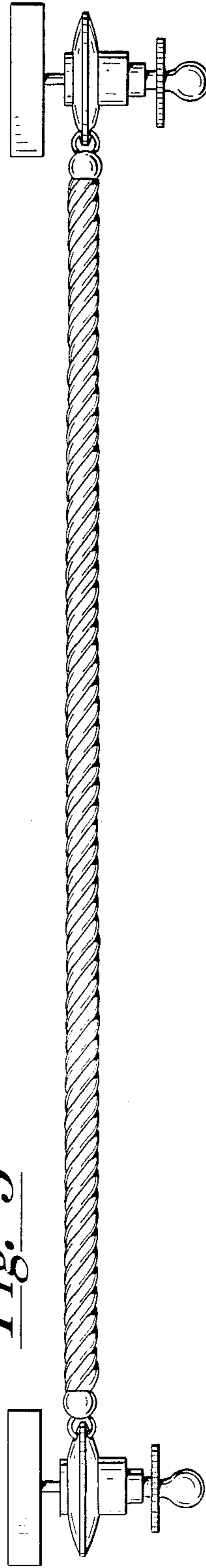


Fig. -4

