

[54] **COLLAR STAY**
 [76] **Inventor: Richard H. Sprick, R.R. #3, Box 105, Lake City, Minn. 55041**
 [**] **Term: 14 Years**
 [21] **Appl. No.: 277,043**
 [22] **Filed: Nov. 28, 1988**
 [52] **U.S. Cl. D11/213; D11/222**
 [58] **Field of Search D11/56, 202-205, D11/213, 86, 81; 2/132, 141; 24/298, 299, 329, 305**

1,737,453 11/1929 Doran .
 2,431,053 11/1947 Less 2/132
 2,454,076 11/1948 Marx et al. 2/132
 2,620,481 12/1952 Florkevicz 2/132
 2,905,945 9/1959 Winter 2/132
 3,005,204 10/1961 Silver 2/132
 3,106,719 10/1963 Rosenfeld 2/141

Primary Examiner—Louis S. Zarfaz
Assistant Examiner—R. T. Seifert
Attorney, Agent, or Firm—Palmatier & Sjoquist

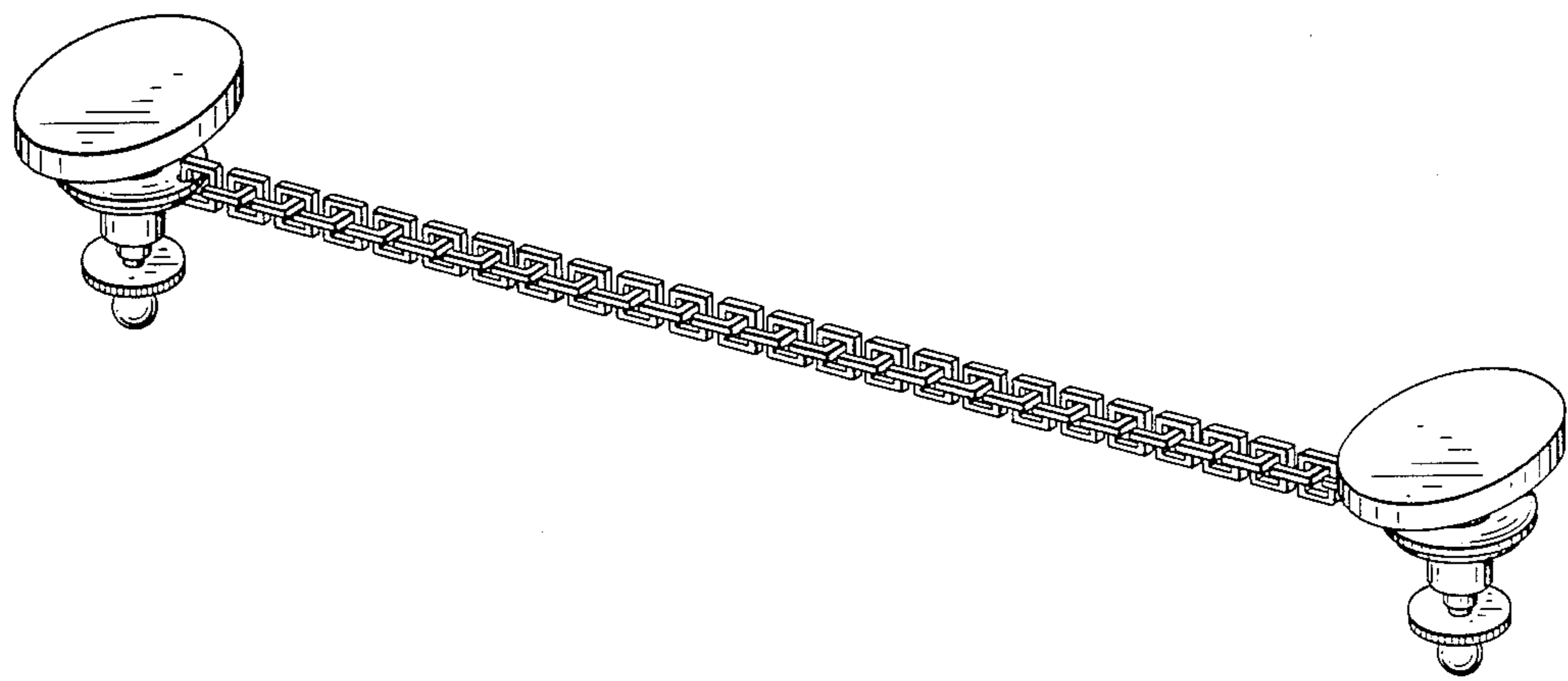
[57] **CLAIM**

The ornamental design for a collar stay, as shown and described.

[56] **References Cited**
U.S. PATENT DOCUMENTS
 D. 149,777 5/1948 Scarborough D11/81
 D. 265,145 6/1982 Piorek D11/213
 D. 277,466 2/1985 Chien D11/56
 1,059,353 4/1913 Doran .
 1,492,403 4/1924 Slater .

DESCRIPTION

FIG. 1 is a perspective view of a collar stay showing my new design;
 FIG. 2 is a top plan view;
 FIG. 3 is a side elevational view;
 FIG. 4 is a bottom plan view; and
 FIG. 5 is an end elevational view.



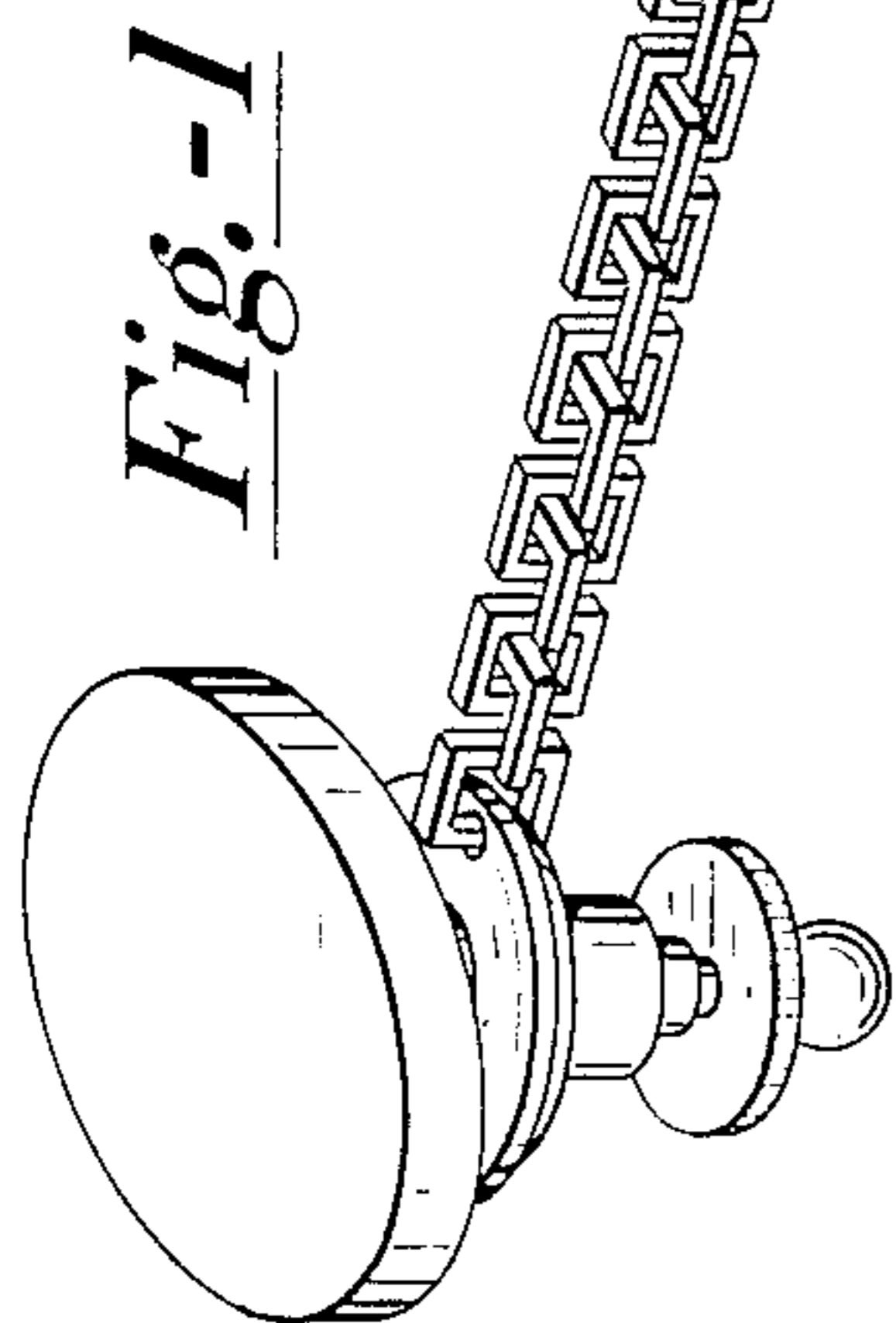


Fig. -1

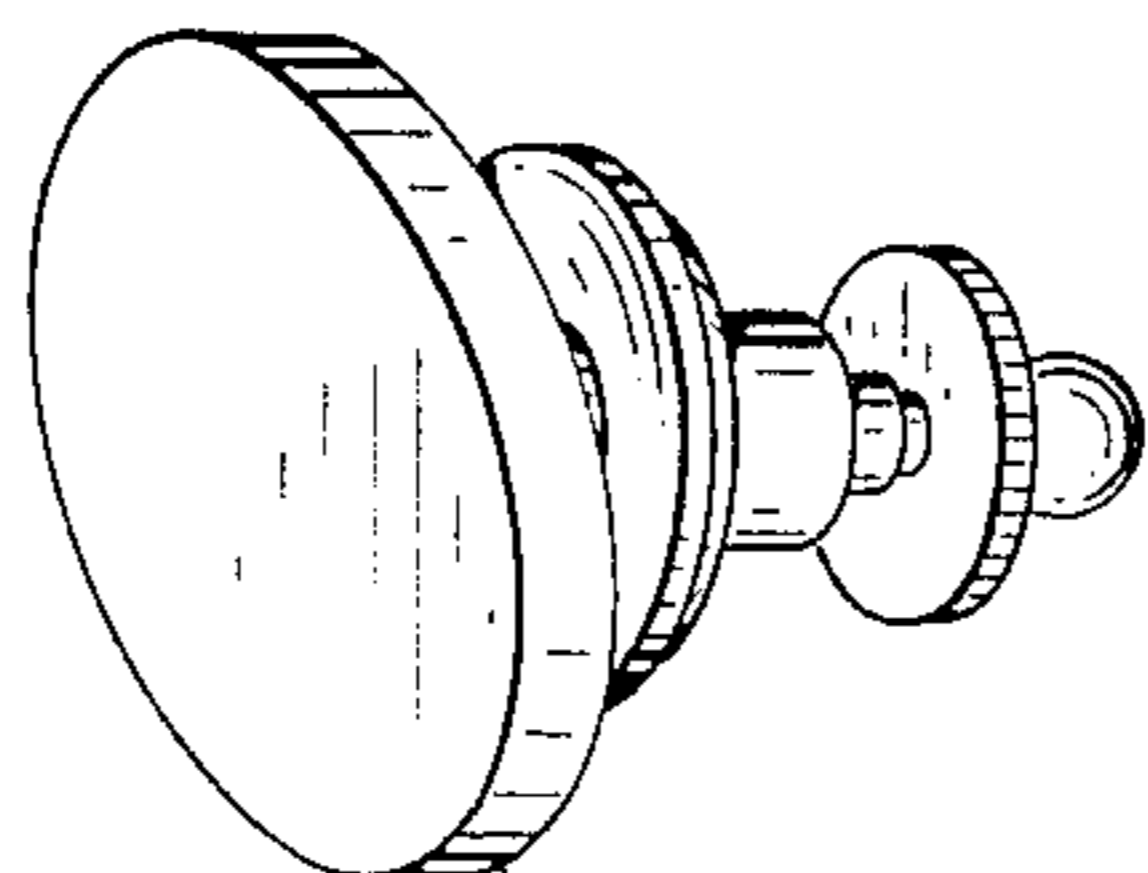


Fig. -2

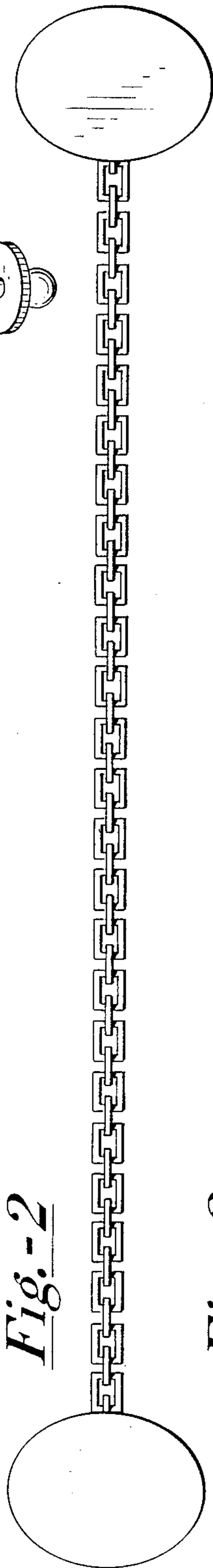


Fig. -3

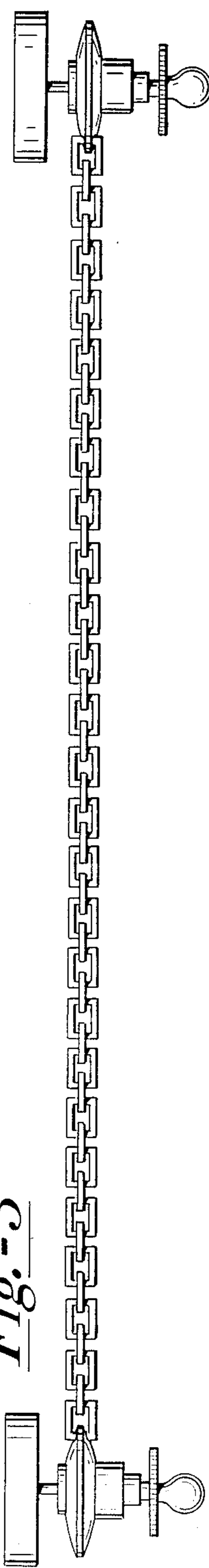


Fig. -4

Fig. -5

