

[54] PROTECTOR FOR WRIST WATCH

[75] Inventor: Kazuyo Kawashima, Fussa, Japan

[73] Assignee: Casio Computer Co., Ltd., Tokyo, Japan

[\*\*] Term: 14 Years

[21] Appl. No.: 62,191

[22] Filed: Jun. 11, 1987

[52] U.S. Cl. .... D10/132

[58] Field of Search ..... D10/132; 368/286

[56] References Cited

U.S. PATENT DOCUMENTS

D. 51,182	8/1917	Lederer	.....	D10/132
D. 51,225	9/1917	Dean	.....	D10/132
D. 52,271	8/1918	Heimberg	.....	D10/132
1,169,935	2/1916	Dennison	.....	368/286
1,199,256	9/1916	Farr	.....	368/286
2,565,822	8/1951	McClelland	.....	368/286
4,511,261	4/1985	Mishima	.....	368/286

FOREIGN PATENT DOCUMENTS

102641	12/1916	United Kingdom	.....	368/286
106357	5/1917	United Kingdom	.....	368/286
110048	10/1917	United Kingdom	.....	368/286

Primary Examiner—Nelson C. Holtje  
Attorney, Agent, or Firm—Frishauf, Holtz, Goodman & Woodward

[57] CLAIM

The ornamental design for a protector for wrist watch, as shown and described.

DESCRIPTION

FIG. 1 is a front elevational view of a protector for wrist watch showing my new design;  
FIG. 2 is a top plan view thereof;  
FIG. 3 is a right side elevational view thereof;  
FIG. 4 is a left side elevational view thereof;  
FIG. 5 is a bottom plan view thereof;  
FIG. 6 is a rear elevational view thereof; and  
FIG. 7 is a front and top right perspective view thereof.

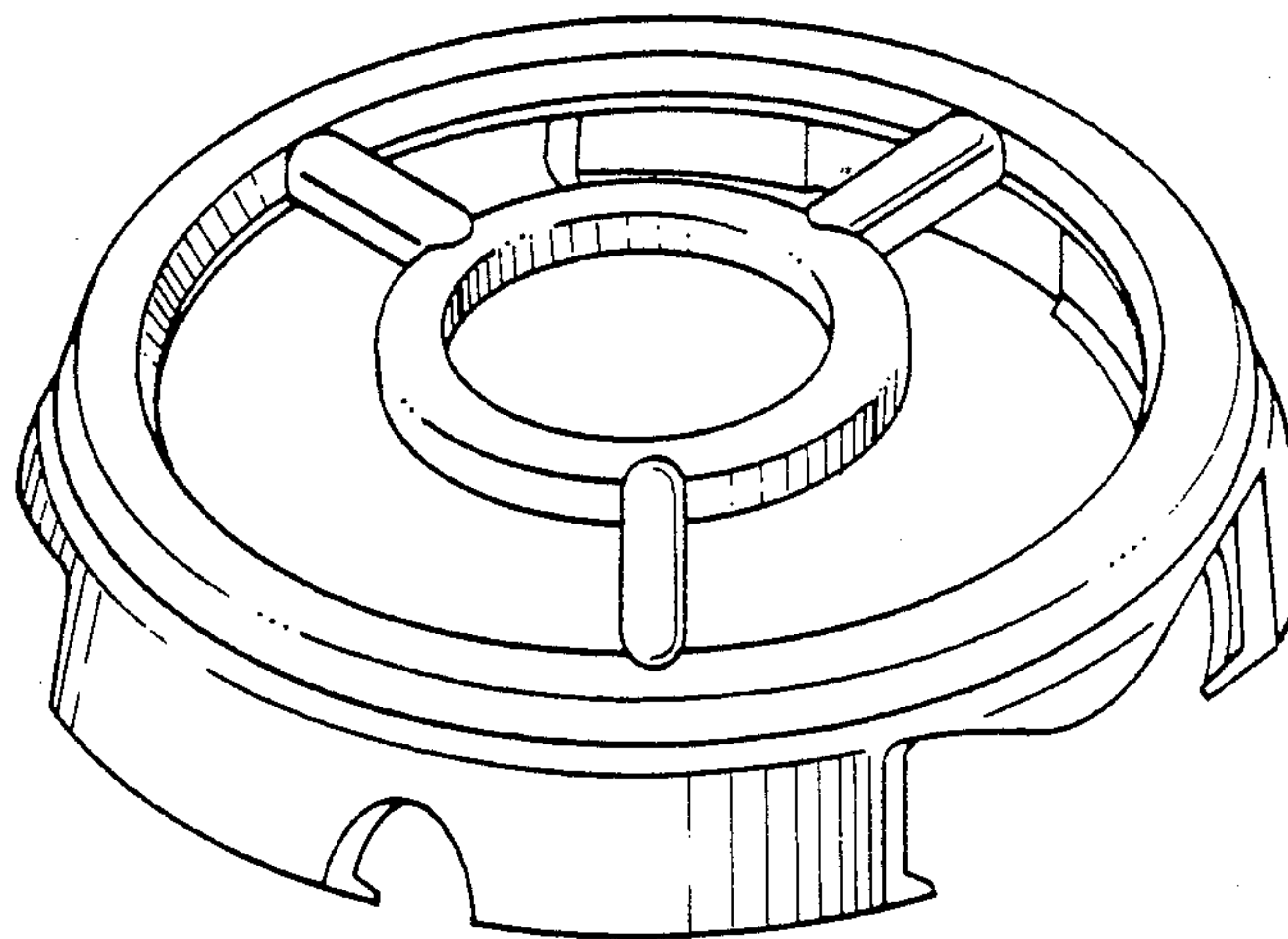


FIG. 2

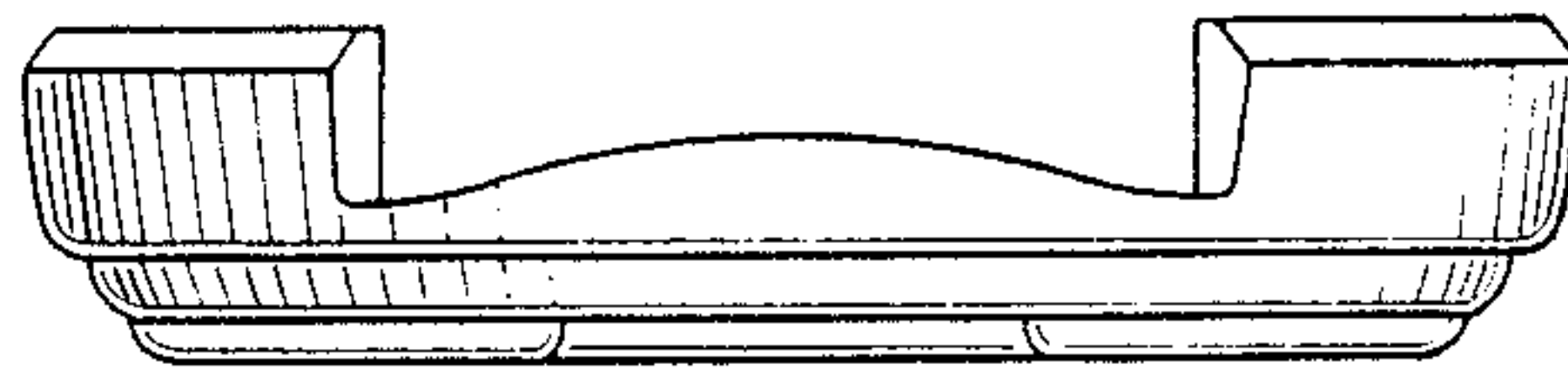


FIG. 4

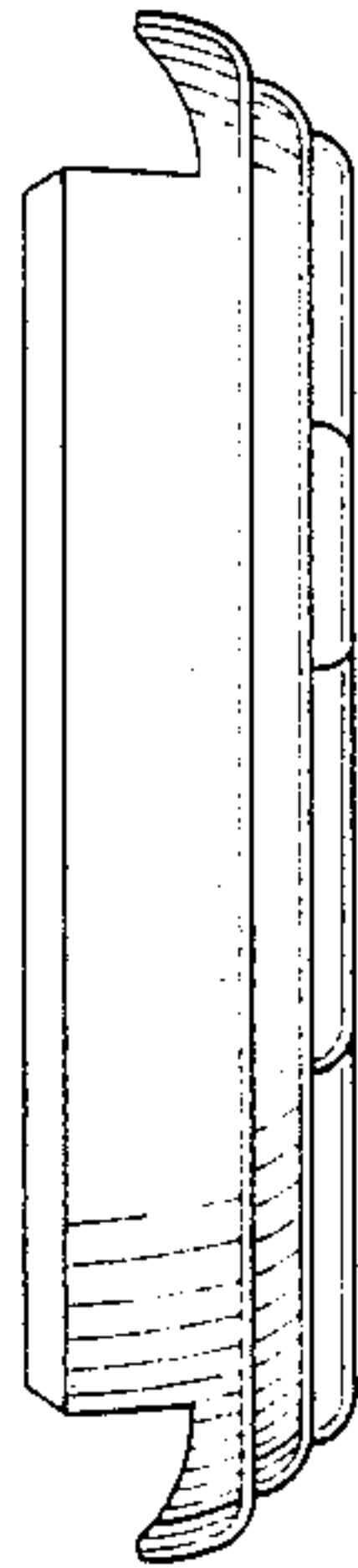


FIG. 1

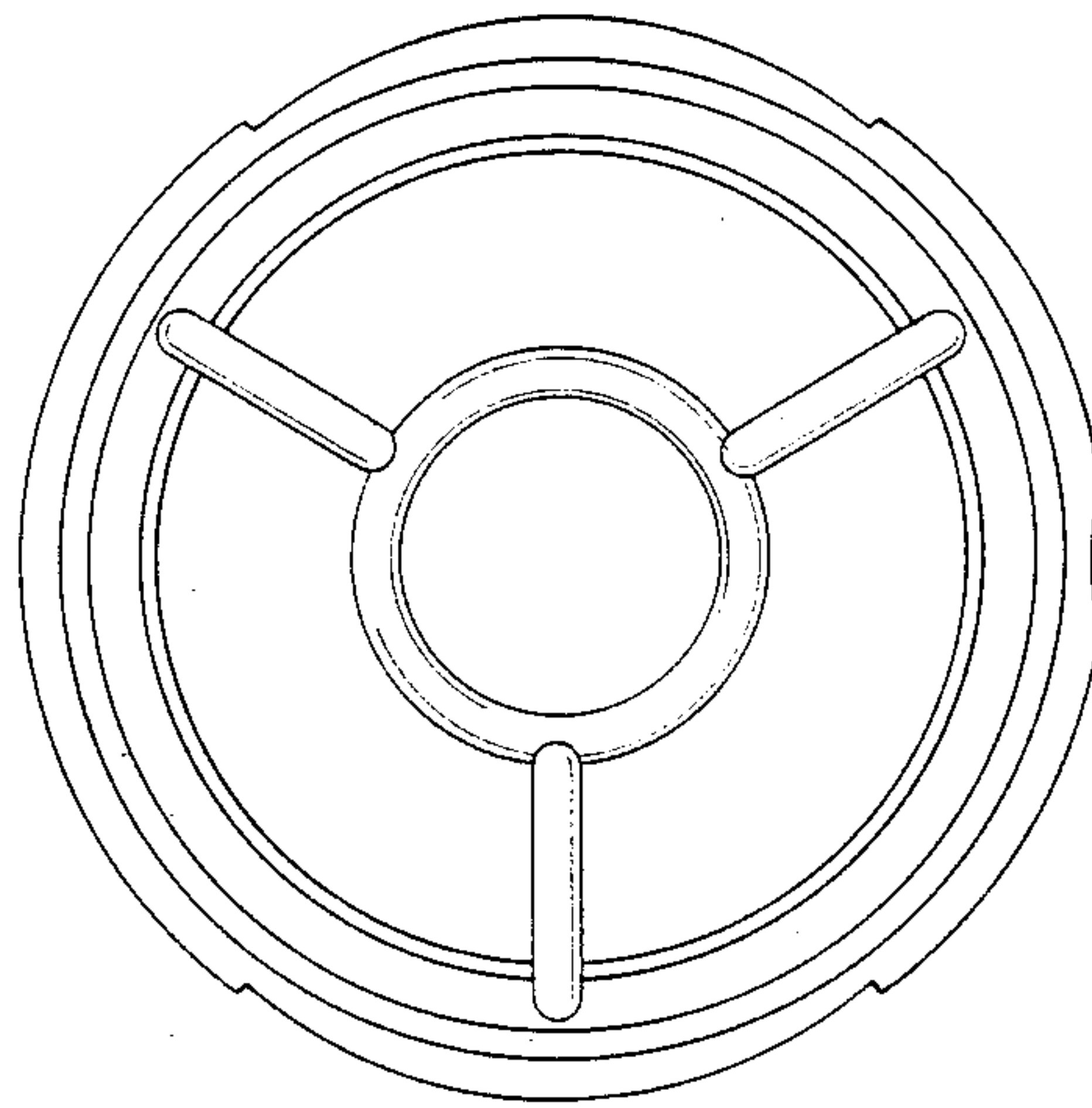


FIG. 3

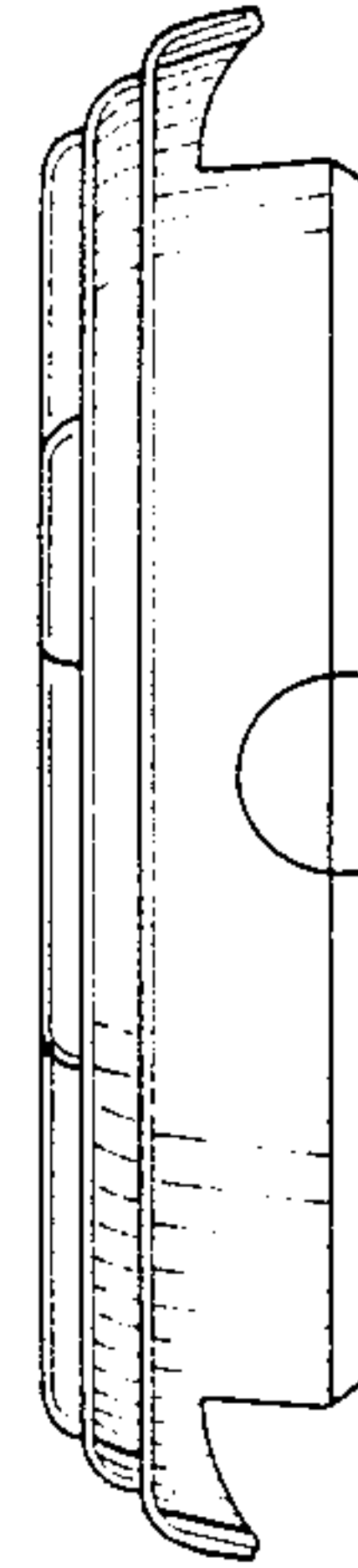


FIG. 5



FIG. 6

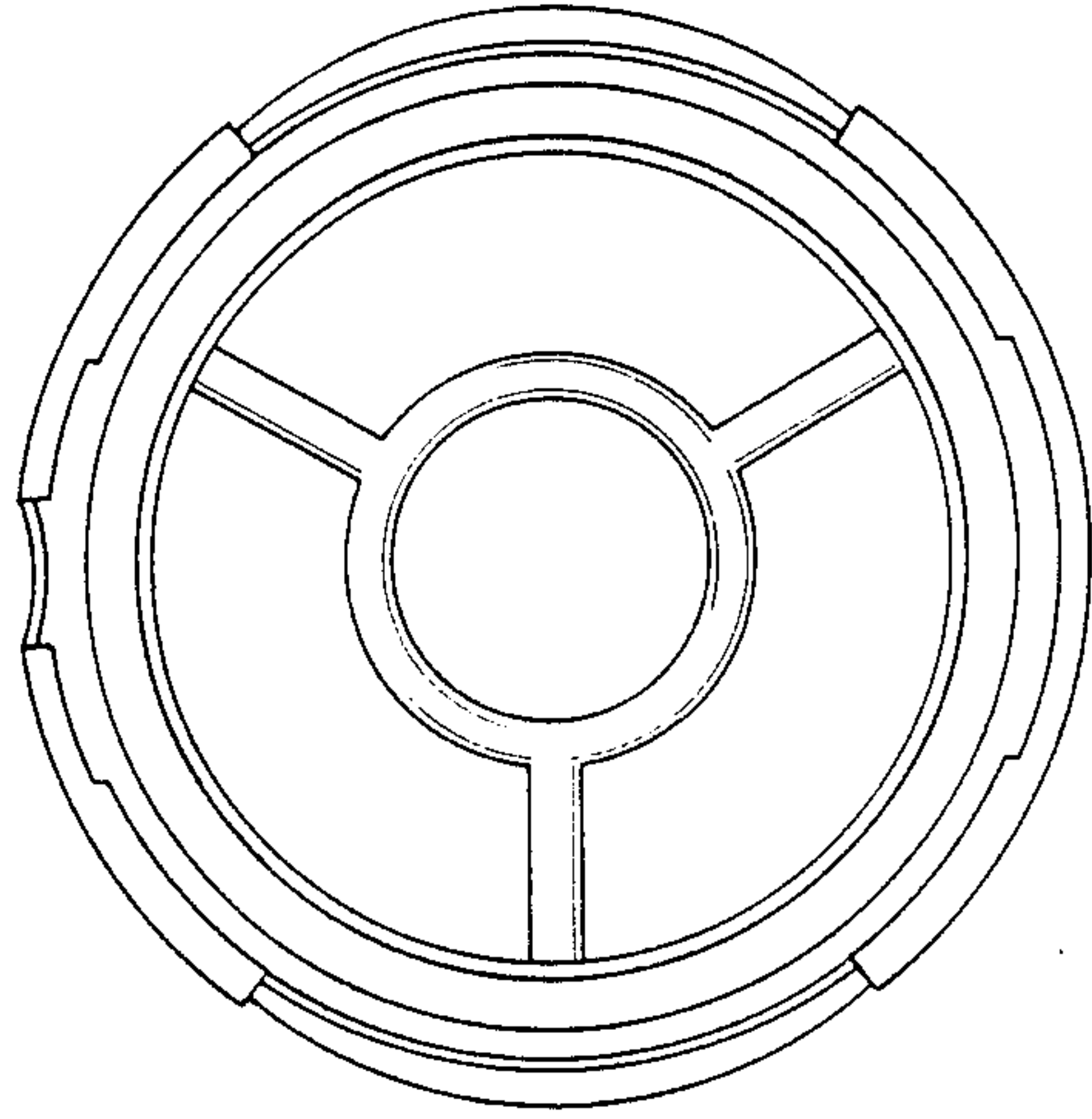


FIG. 7

