

[54] **TRAFFIC GUIDE POST**

[75] **Inventor:** Heinrich Quante, Recklinghausen,  
Fed. Rep. of Germany

[73] **Assignee:** Armo Gesellschaft fur Bauelemente,  
Bau- und Wohnbedarf GmbH,  
Recklinghausen, Fed. Rep. of  
Germany

[\*\*] **Term:** 14 Years

[21] **Appl. No.:** 200,175

[22] **Filed:** May 27, 1988

[30] **Foreign Application Priority Data**

Nov. 30, 1987 [DE] Fed. Rep. of  
Germany ..... DM/009768

[52] **U.S. Cl.** ..... **D10/109**

[58] **Field of Search** ..... D10/109, 113; 116/63 R,  
116/63 P; 362/812

[56] **References Cited**

**U.S. PATENT DOCUMENTS**

2,613,463	10/1952	Transue .....	116/63 P
2,798,451	7/1957	Hund .....	116/63 P
2,843,347	7/1958	King .....	116/63 P
4,253,085	2/1981	Hidler et al. ....	116/63 R

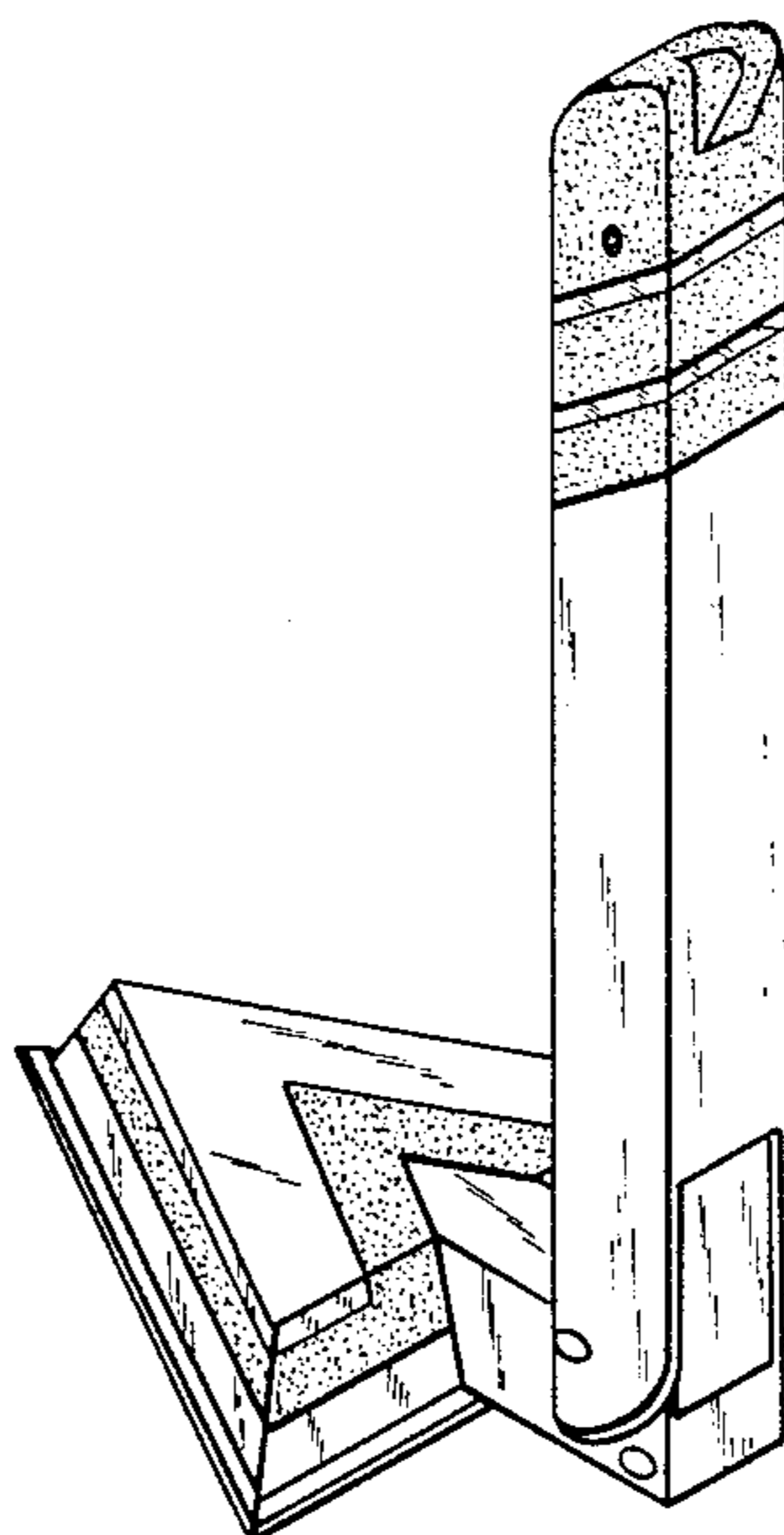
*Primary Examiner*—Wallace R. Burke  
*Assistant Examiner*—Marcus Jackson  
*Attorney, Agent, or Firm*—Herbert Dubno; Ronald  
Lianides

[57] **CLAIM**

The ornamental design for a traffic guide post, as shown  
and described.

**DESCRIPTION**

FIG. 1 is a rear perspective view of a traffic guide post  
showing my new design;  
FIG. 2 is a front elevational view thereof; and  
FIG. 3 is a top plan view thereof.



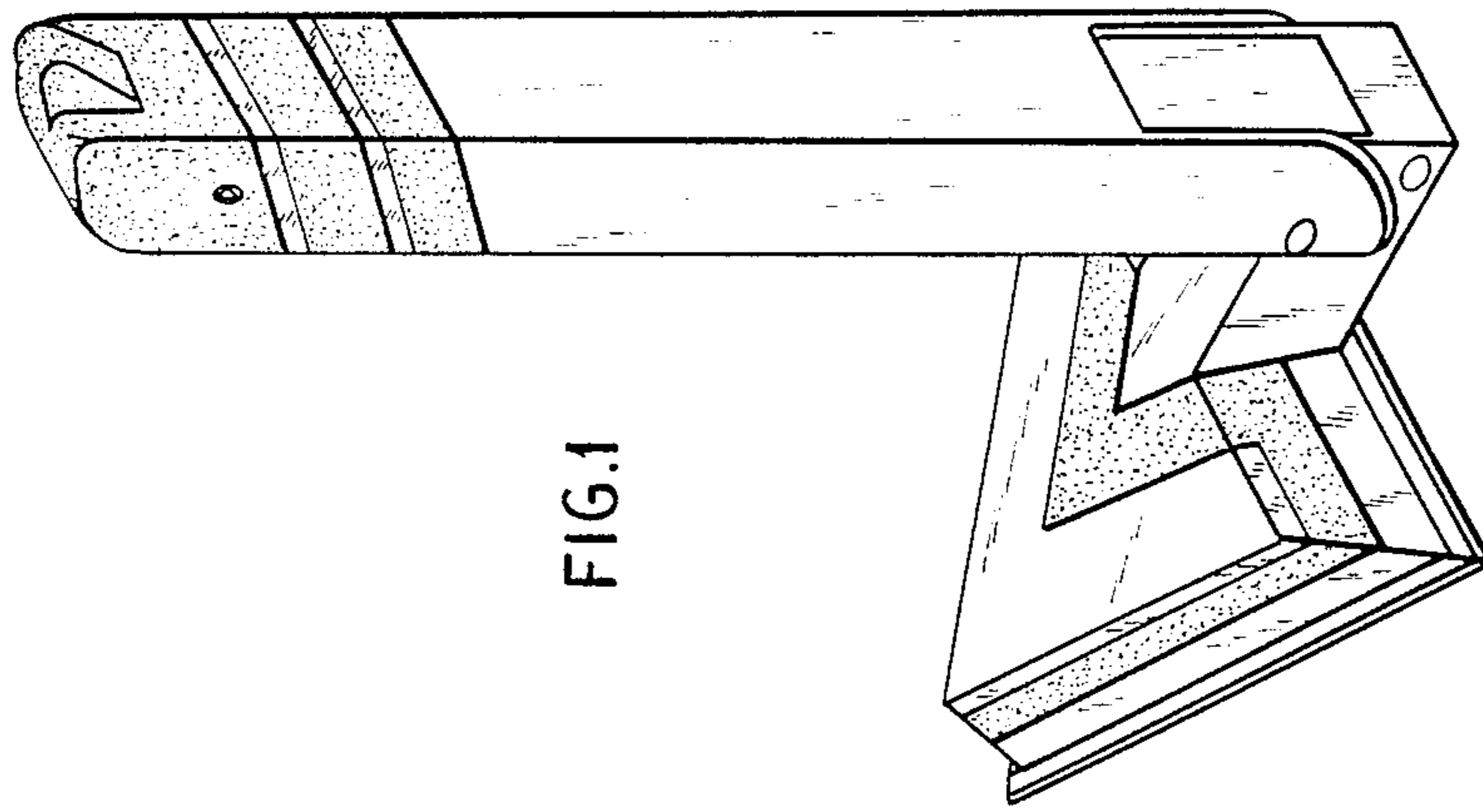


FIG. 1

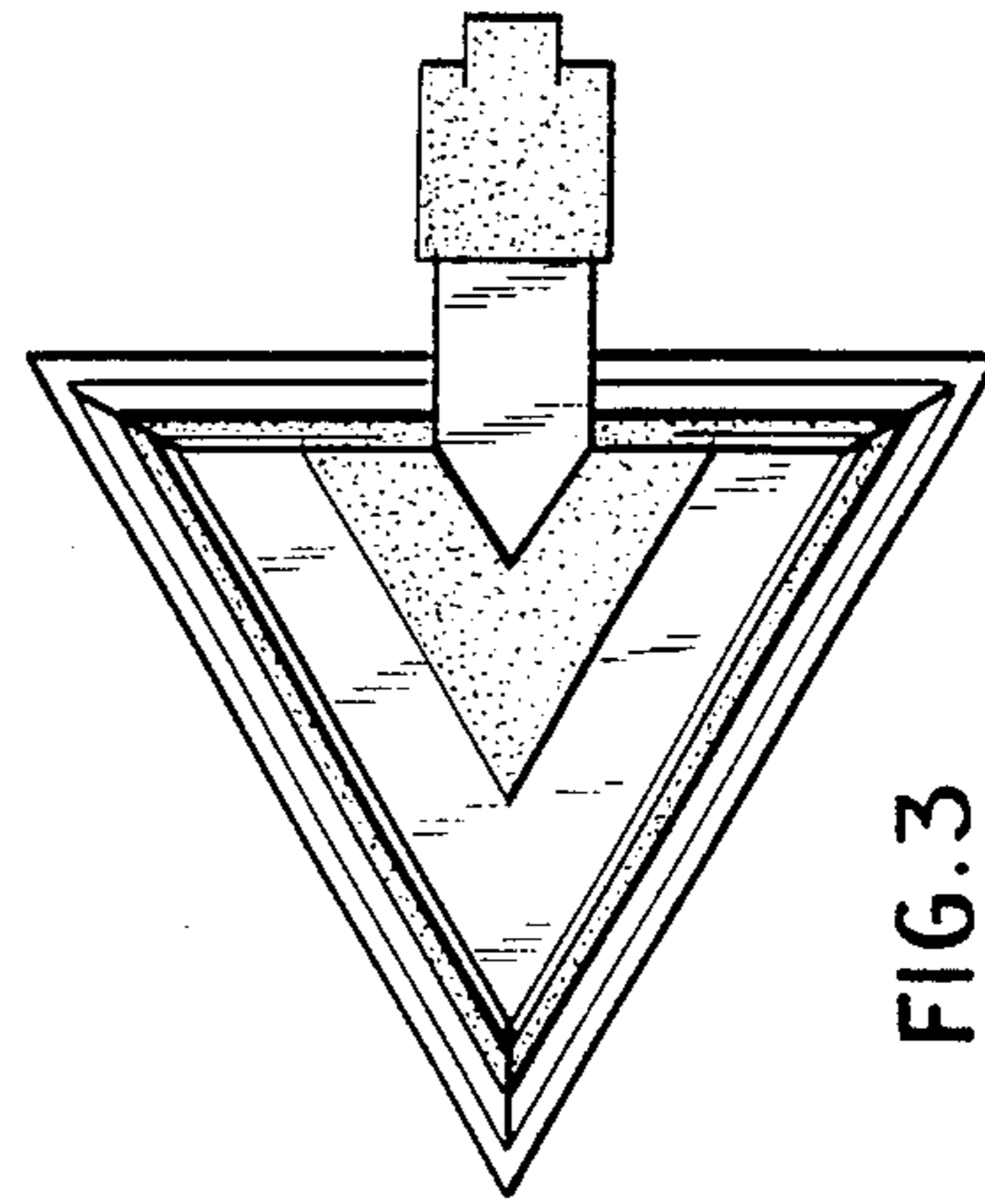


FIG. 3

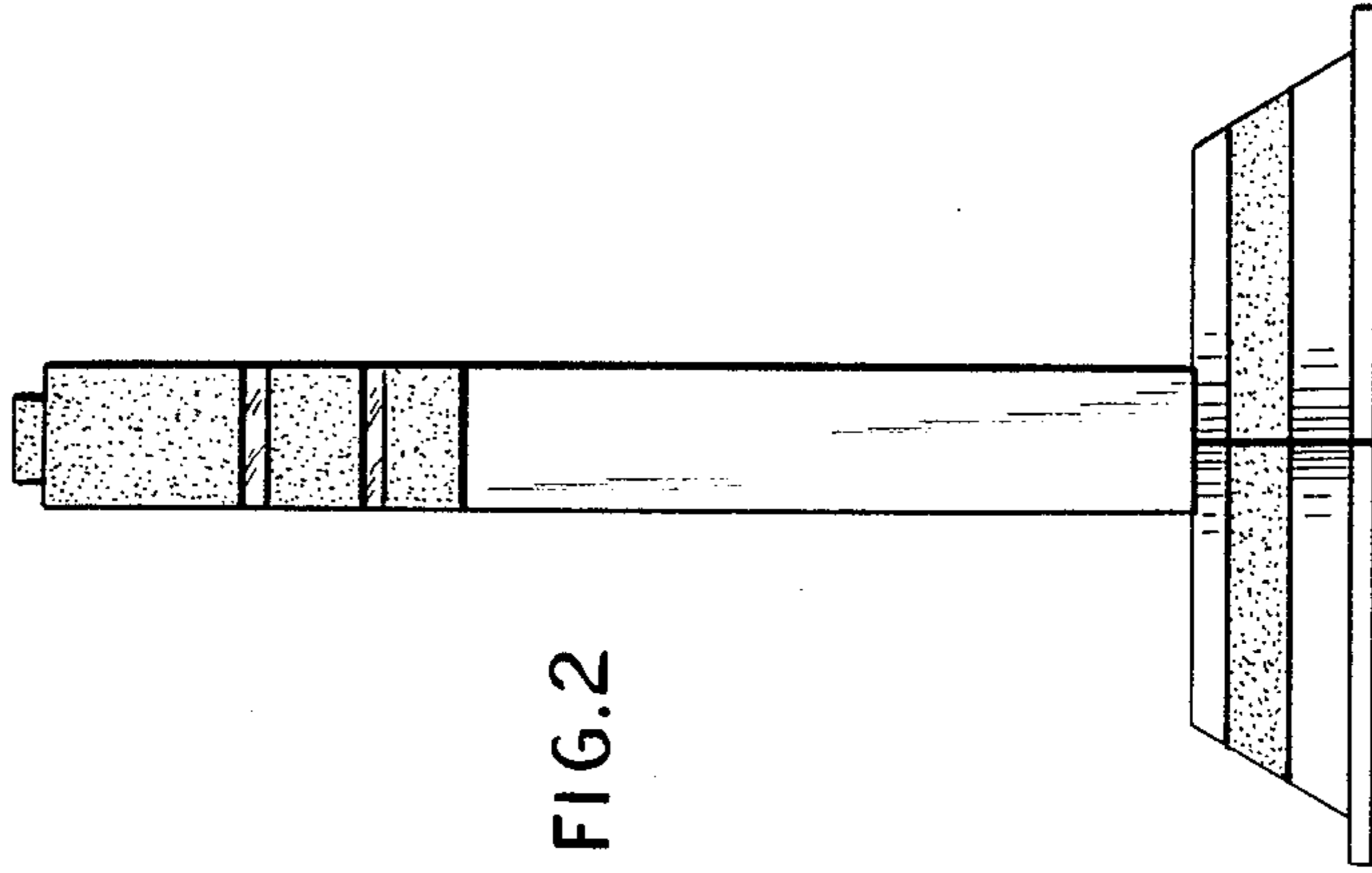


FIG. 2