

United States Patent [19]
Hölterscheidt

[11] **Patent Number: Des. 312,976**

[45] **Date of Patent: ** Dec. 18, 1990**

[54] **TAPE MEASURE**

[75] **Inventor: Siegfried Hölterscheidt,**
Hückelhoven, Fed. Rep. of Germany

[73] **Assignee: Walter Henkels, GmbH,** Fed. Rep. of
Germany

[**] **Term: 14 Years**

[21] **Appl. No.: 171,701**

[22] **Filed: Mar. 21, 1988**

[30] **Foreign Application Priority Data**

Jan. 9, 1988 [DE] Fed. Rep. of Germany MR184

[52] **U.S. Cl. D10/72**

[58] **Field of Search D10/70, 71, 72; 33/755,**
33/758, 759, 760, 761, 762, 763, 764, 765, 766,
767, 768, 769

[56] **References Cited**

U.S. PATENT DOCUMENTS

D. 245,071 7/1977 Kong D10/72 X

D. 264,447 5/1982 Henkels D10/72
4,587,738 5/1986 Kang 33/762

Primary Examiner—Nelson C. Holtje
Assistant Examiner—Antoine D. Davis
Attorney, Agent, or Firm—Diller, Ramik & Wight

[57] **CLAIM**

The ornamental design for a tape measure, as shown
and described.

DESCRIPTION

FIG. 1 is a top, front, and right side perspective view of
a tape measure showing my new design;

FIG. 2 is a top, front, and right side perspective view,
with the tape extended and the foot in transverse posi-
tion;

FIG. 3 is a right side elevational view, the left side
elevational view being a mirror image;

FIG. 4 is a top plan view;

FIG. 5 is a bottom plan view;

FIG. 6 is a rear elevational view; and

FIG. 7 is a front elevational view thereof.

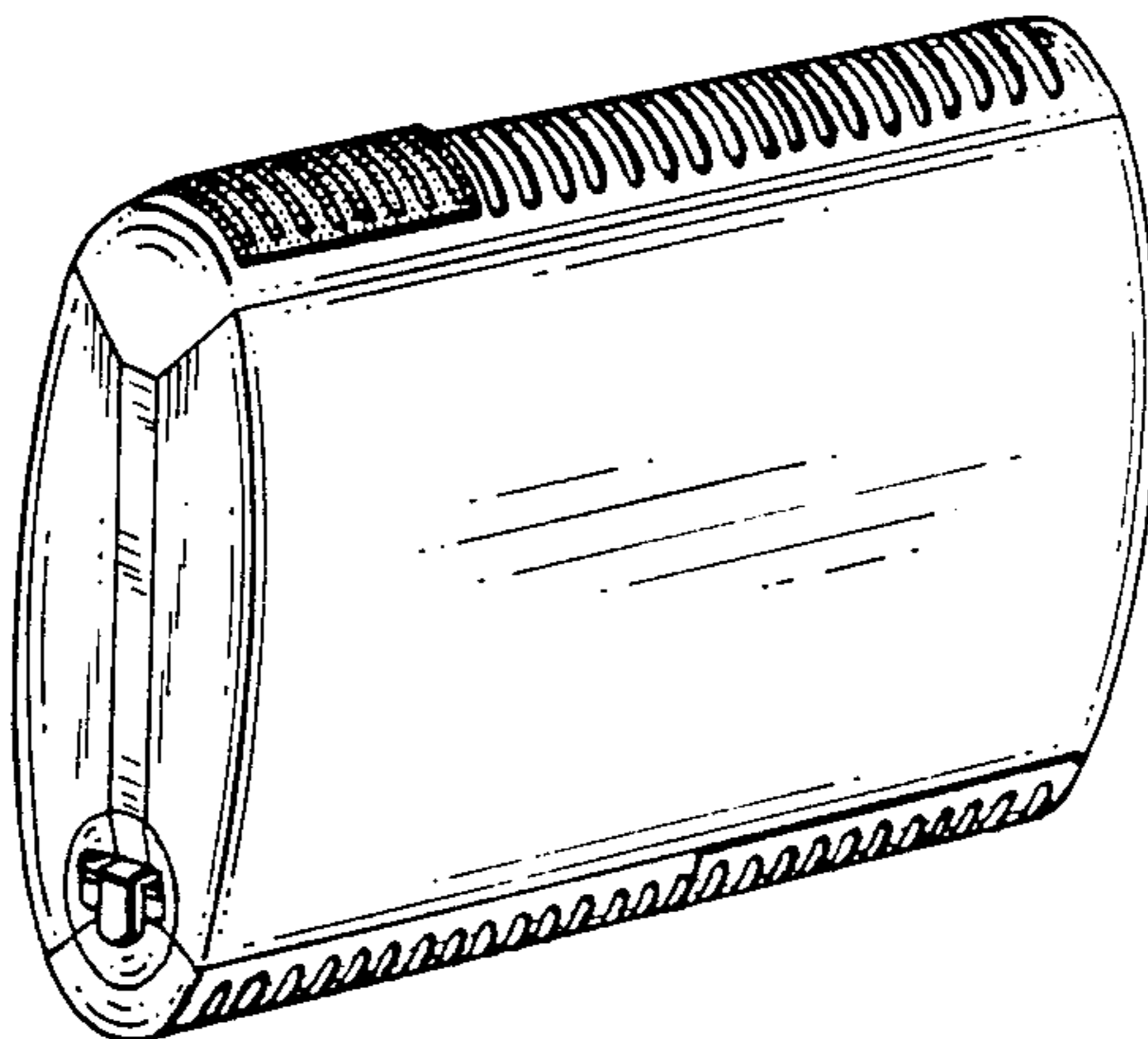


FIG. 1

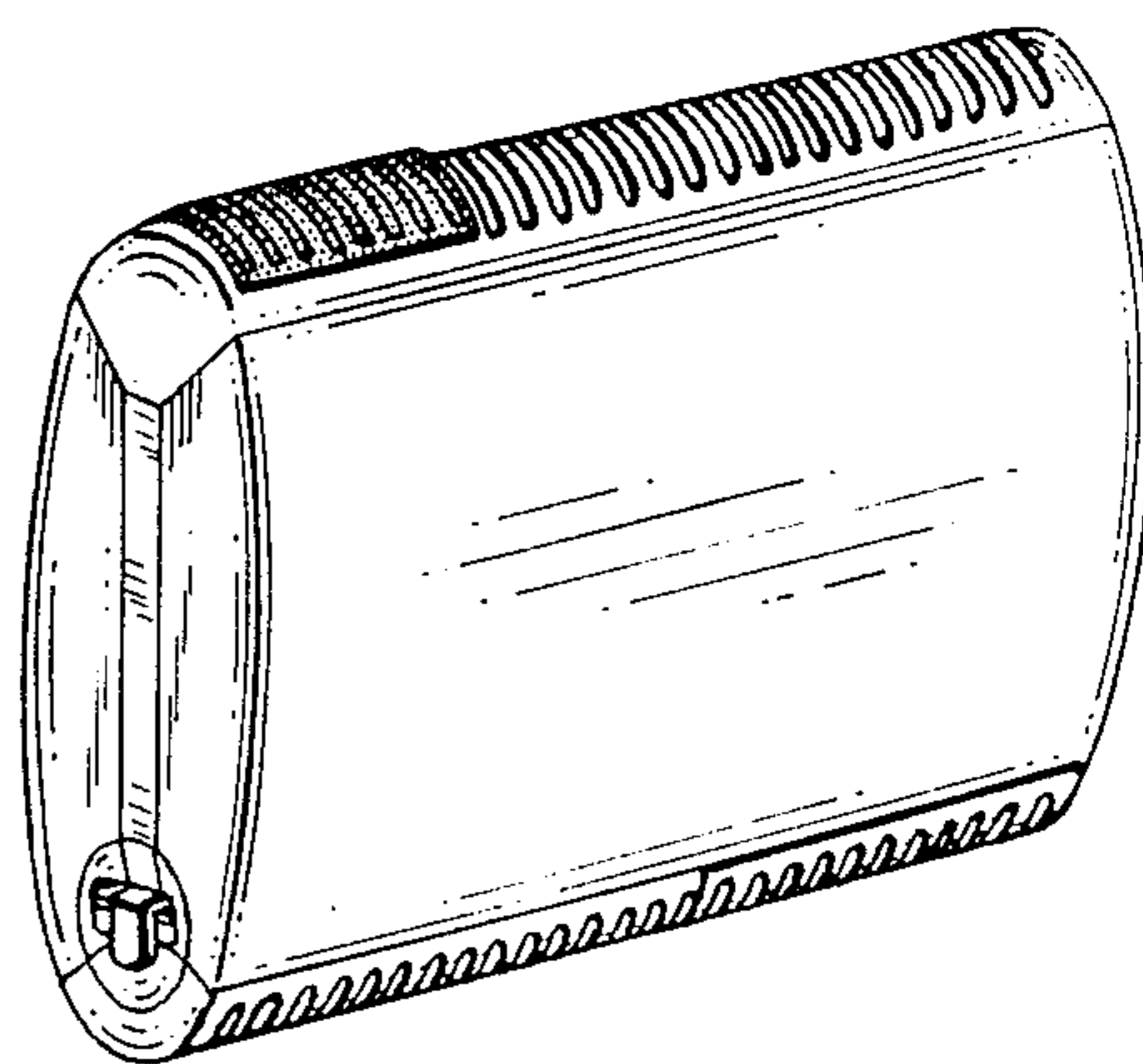


FIG. 2

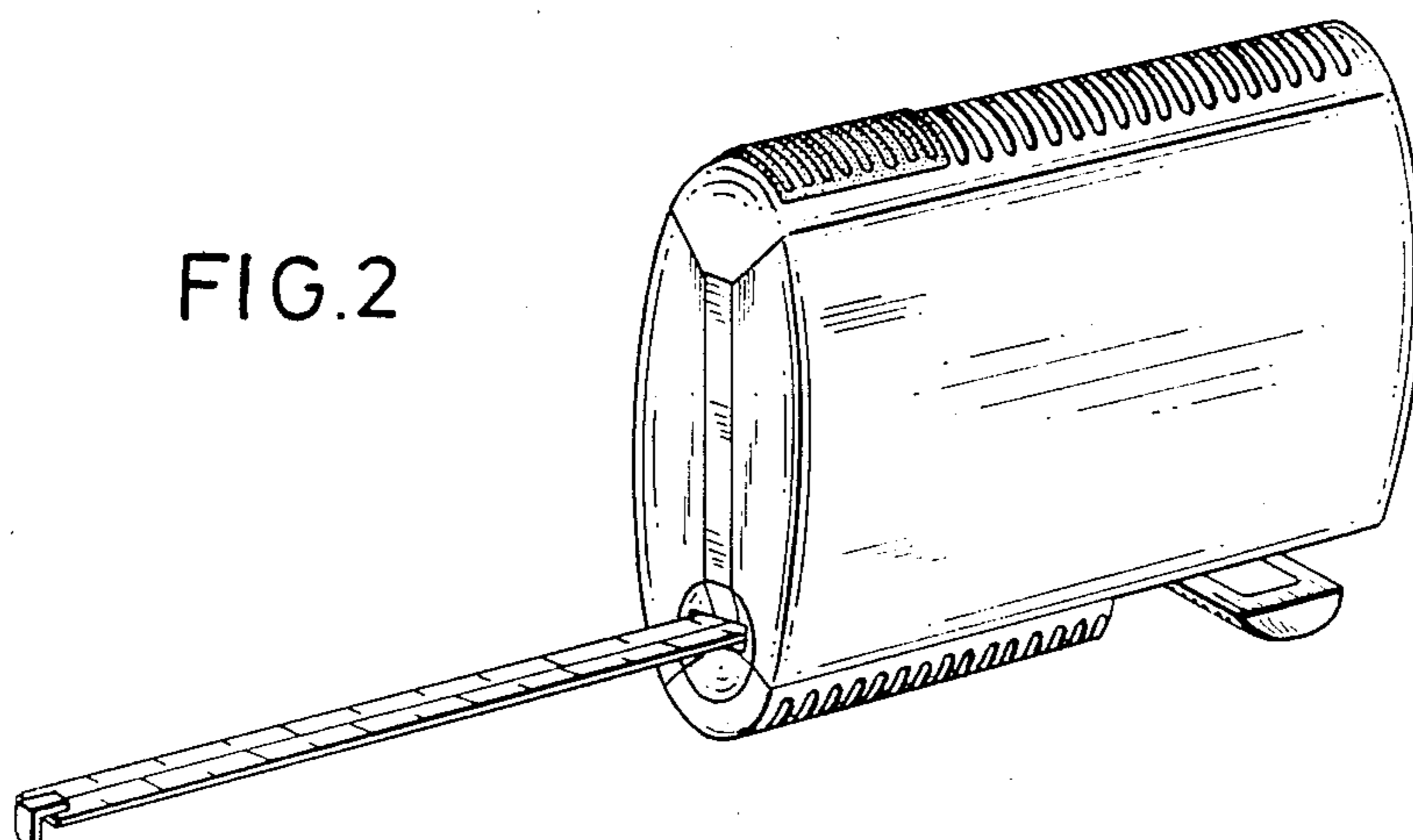


FIG. 4

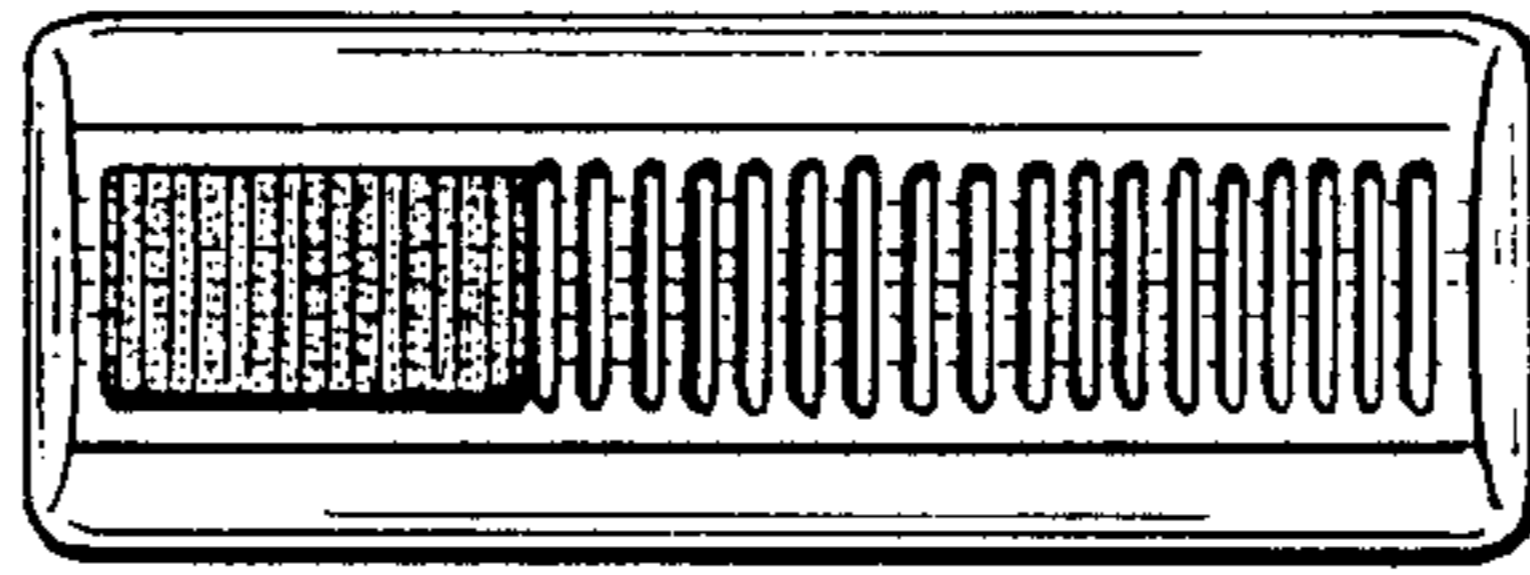


FIG. 6

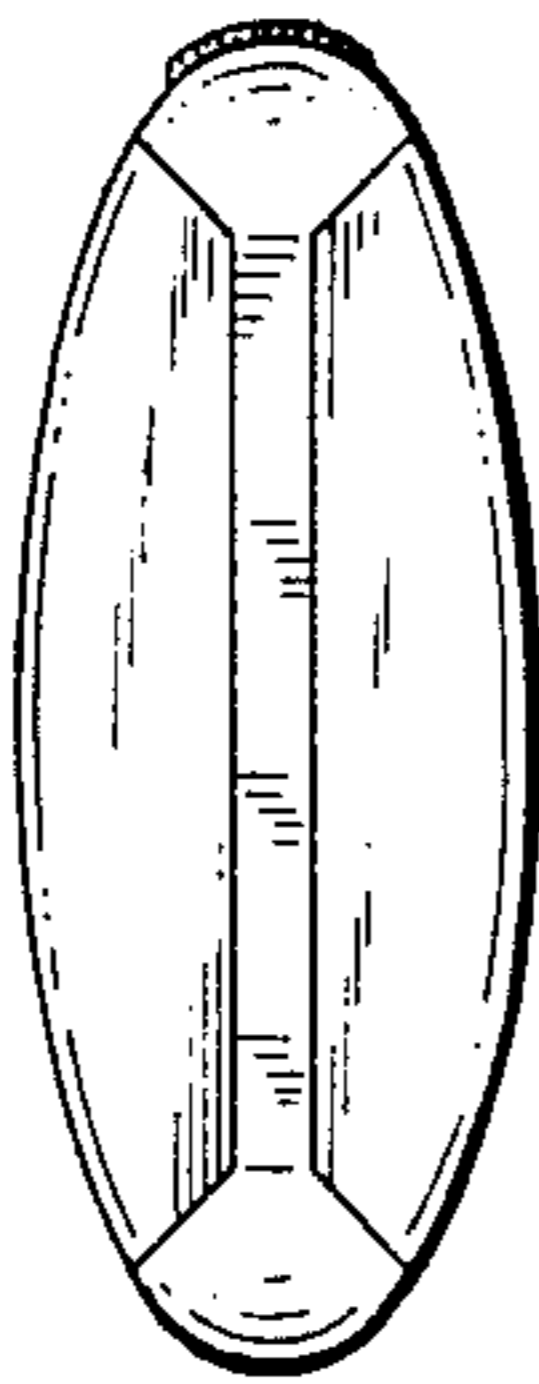


FIG. 3

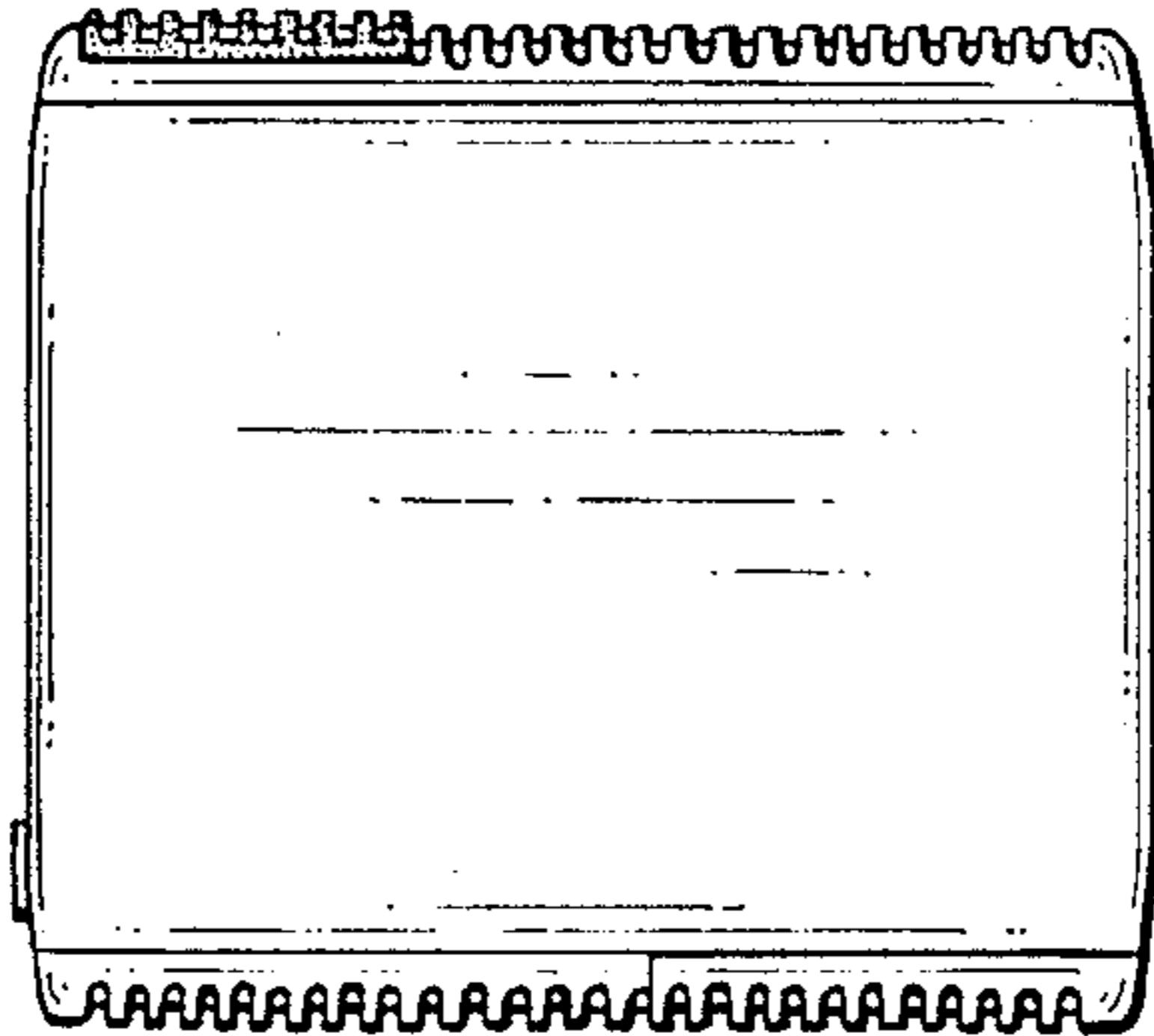


FIG. 7



FIG. 5

