

United States Patent [19]

Piltz

[11] Patent Number: **Des. 312,969**

[45] Date of Patent: **** Dec. 18, 1990**

[54] **PULL TAB COVER**

[76] Inventor: **Lars-Erik Piltz**, Konventsv. 3,
Dalby, Sweden, 240 10

[**] Term: **14 Years**

[21] Appl. No.: **232,872**

[22] Filed: **Aug. 16, 1988**

[30] **Foreign Application Priority Data**

Feb. 16, 1988 [SE] Sweden 88-376

[52] U.S. Cl. **D9/438**

[58] Field of Search D9/438, 454, 435;
220/269, 270, 272, 273, 276

[56] **References Cited**

U.S. PATENT DOCUMENTS

D. 297,309	8/1988	Piltz	D9/368
D. 299,426	1/1989	Piltz	D9/368
3,195,768	7/1965	Bozek	220/272
3,200,985	8/1965	Ashley	D9/438

3,251,503	5/1966	Bozek	D9/438
3,255,917	6/1966	Fraze	D9/438
3,281,007	10/1966	Dorosz	D9/438
3,400,852	9/1968	Khoury	220/273
3,416,699	12/1968	Bozek	D9/438
4,456,146	6/1984	Helms	220/270
4,548,333	10/1985	Kobayashi et al.	220/276
4,572,393	2/1986	Kobayashi et al.	220/270

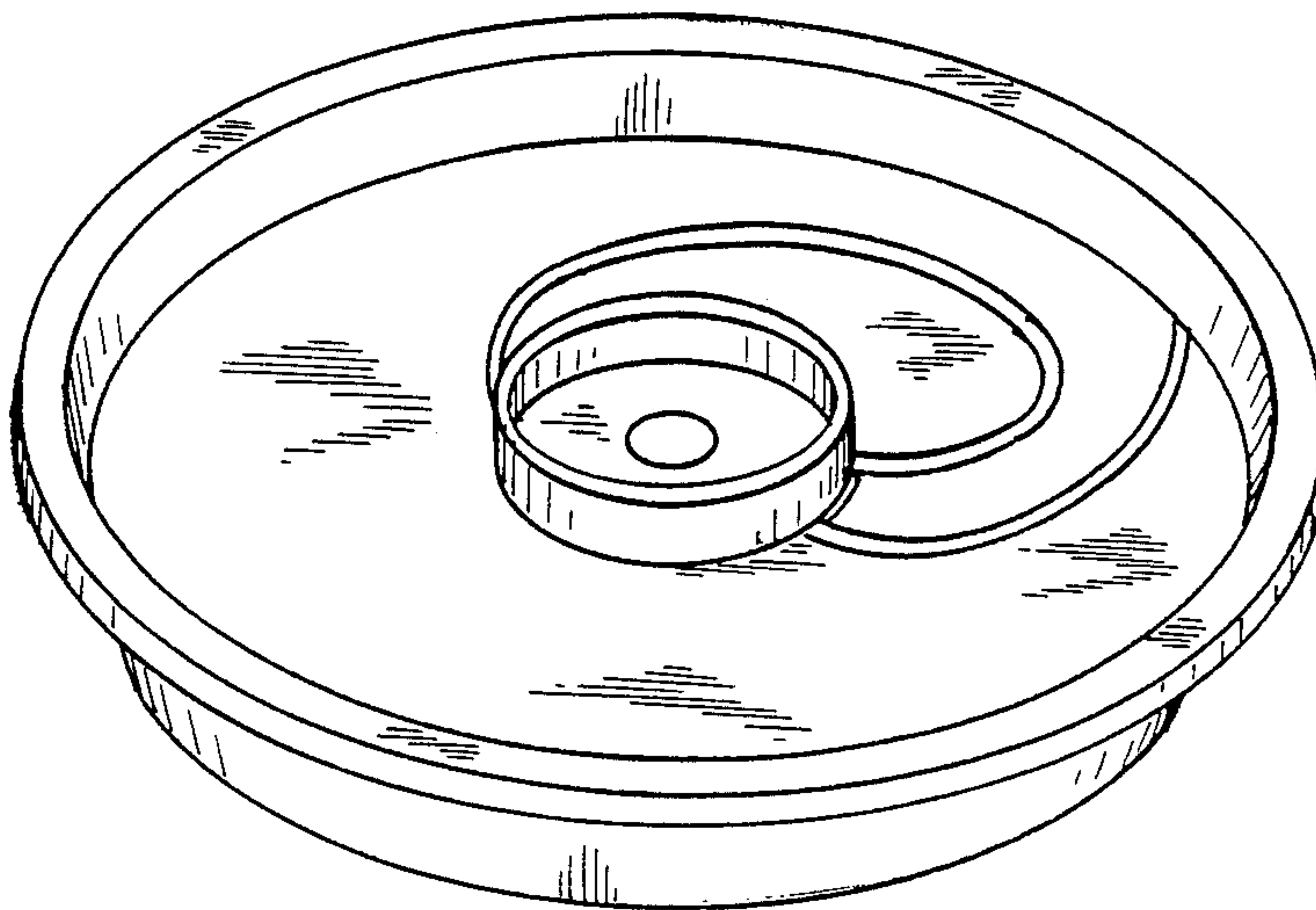
Primary Examiner—B. J. Bullock
Assistant Examiner—Dominic Simone
Attorney, Agent, or Firm—Lerner, David, Littenberg,
Krumholz & Mentlik

[57] CLAIM

The ornamental design for a pull tab cover, as shown.

DESCRIPTION

FIG. 1 is a top plan view of a pull tab cover showing my new design;
FIG. 2 is a bottom plan view thereof;
FIG. 3 is a side elevational view thereof, all sides being identical;
FIG. 4 is a perspective view thereof.



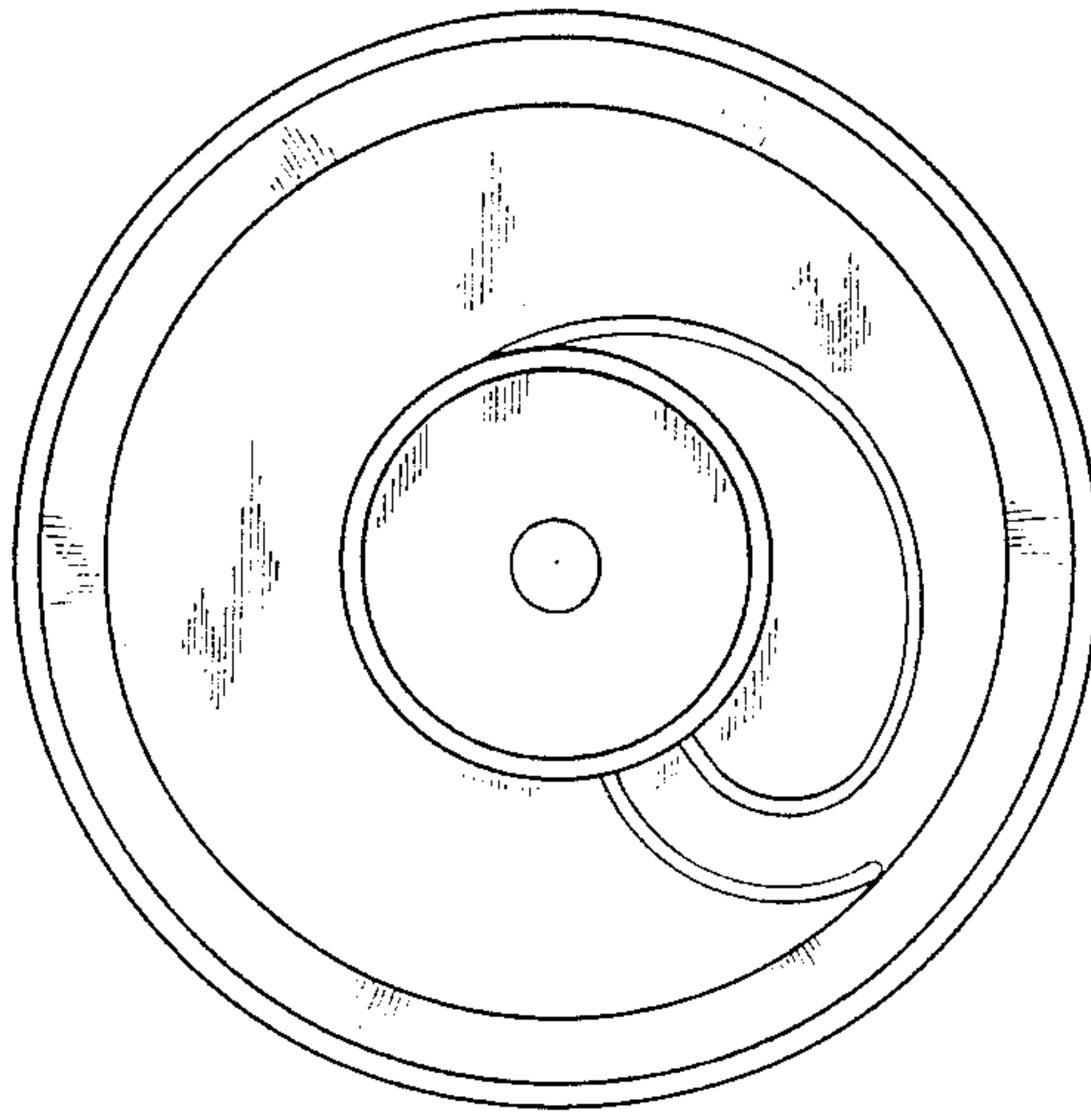


FIG. 1

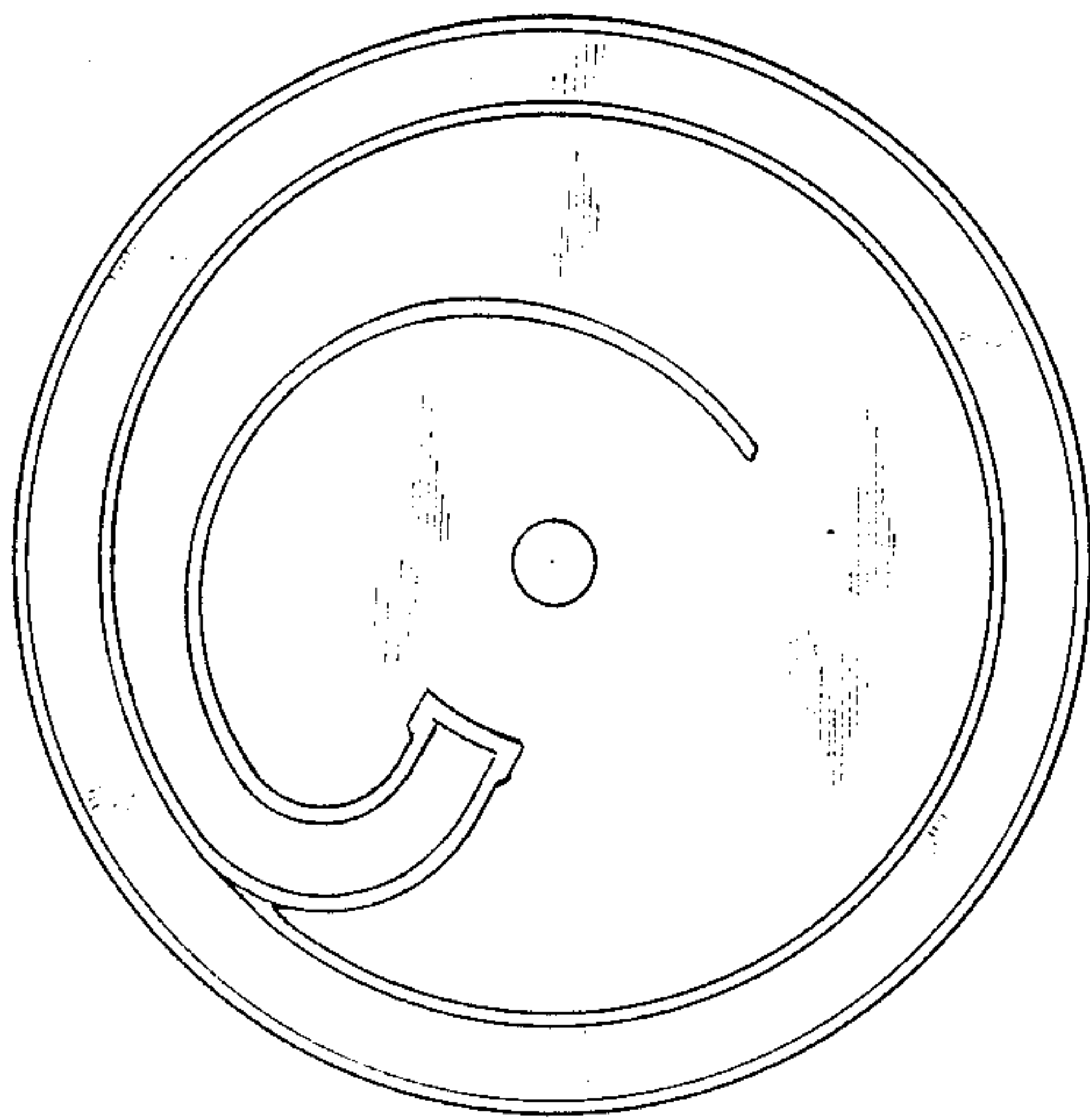


FIG. 2

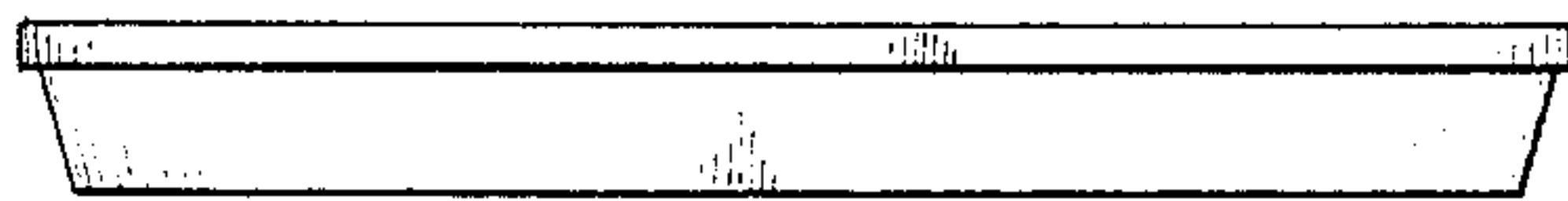


FIG. 3

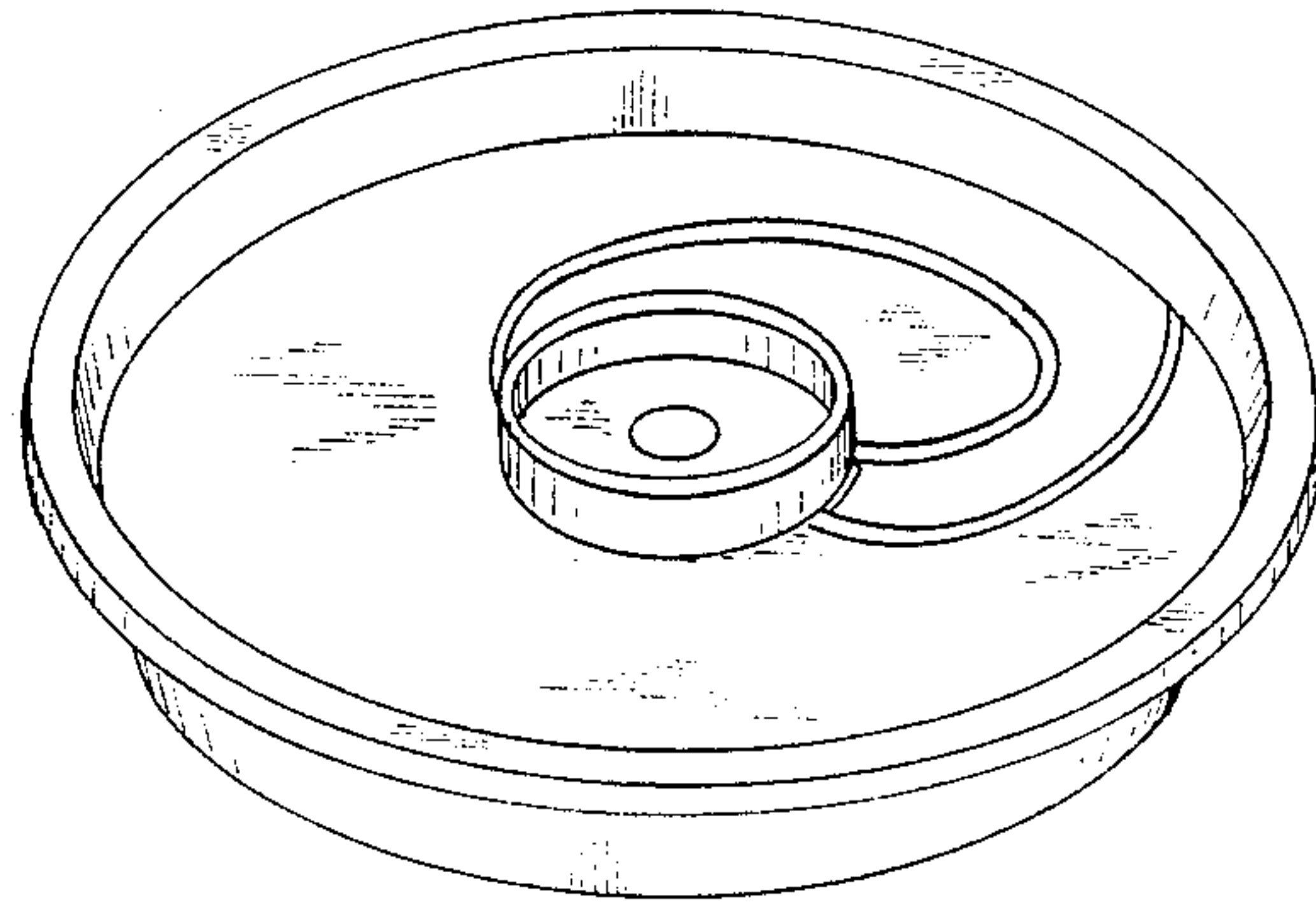


FIG. 4