

[54] FOOD CONTAINER OR THE LIKE

[75] Inventor: Martin J. Wolff, North Providence, R.I.

[73] Assignee: Dart Industries Inc., Deerfield, Ill.

[**] Term: 14 Years

[21] Appl. No.: 275,023

[22] Filed: Nov. 18, 1988

[52] U.S. Cl. D9/431; D9/424; D7/602; D7/612

[58] Field of Search D9/424, 425, 432, 456, D9/414, 429, 430, 431; D7/602, 612, 614, 550, 542, 552, 614, 615, 565; 206/518; 220/74, 72, 82 R; 229/2.9 R

[56] References Cited

U.S. PATENT DOCUMENTS

D. 267,395	12/1982	Groenewold et al.	D9/431 X
D. 272,505	2/1984	Daenen et al.	D9/431 X
D. 279,253	6/1985	Daenen et al.	D7/614 X
D. 282,809	3/1986	Daenen et al.	D7/614 X
D. 286,844	11/1986	Daenen et al.	D7/586
D. 288,063	2/1987	Tyler	D9/431 X
D. 289,597	5/1987	Aueritt	D7/605
3,038,634	6/1962	Cheeley	220/74 X
3,941,301	3/1976	Jorgensen	206/518 X

OTHER PUBLICATIONS

Tupperware Cat. 9-1984, p. 9, Item No. B85.
Tupperware Cat. 10-1984, p. 3, Oval Shaped container.

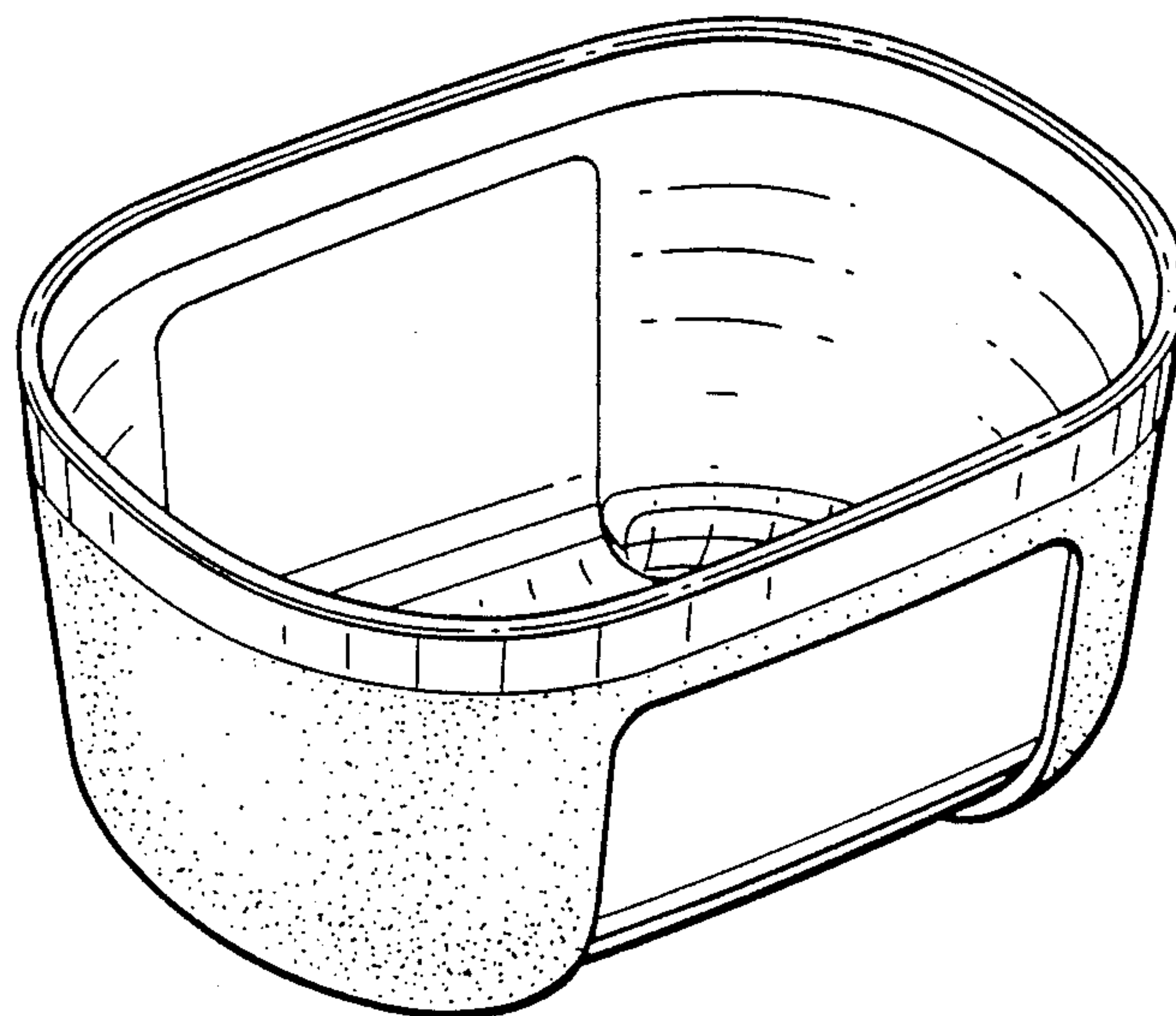
Primary Examiner—Bernard Ansher
Assistant Examiner—Prabhakar Deshmukh
Attorney, Agent, or Firm—John A. Doninger

[57] CLAIM

The ornamental design for a food container or the like, as shown and described.

DESCRIPTION

FIG. 1 is a top perspective view of a food container or the like showing my new design;
FIG. 2 is a top plan view thereof;
FIG. 3 is a bottom plan view thereof;
FIG. 4 is front elevation thereof, the rear elevation being a mirror image thereof;
FIG. 5 is a left side elevation thereof, the right side elevation being a mirror image thereof;
FIG. 6 is a sectional elevation taken along line 6—6 of FIG. 2;
FIG. 7 is a sectional elevation taken along line 7—7 of FIG. 2;
FIG. 8 is a perspective view of a modified form of FIG. 1;
FIG. 9 is a top plan view of FIG. 8;
FIG. 10 is a bottom plan view of FIG. 8;
FIG. 11 is a front elevation of FIG. 8, the rear side elevation being a mirror image;
FIG. 12 is a left side elevation of FIG. 8. The right side elevation being a mirror image;
FIG. 13 is a sectional elevation taken along line 13—13 of FIG. 9; and
FIG. 14 is a sectional elevation taken along line 14—14 of FIG. 9.



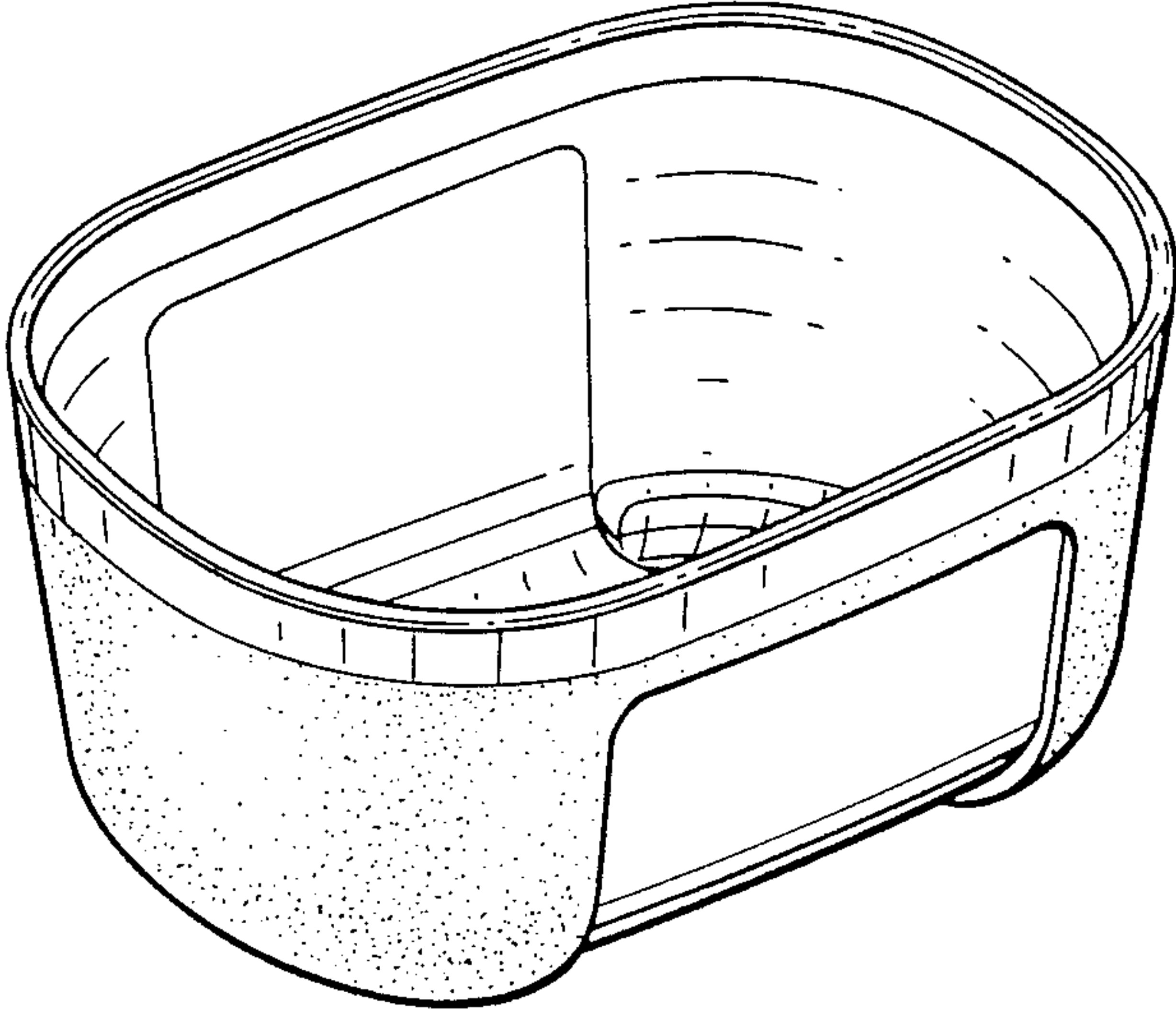


FIG. 1

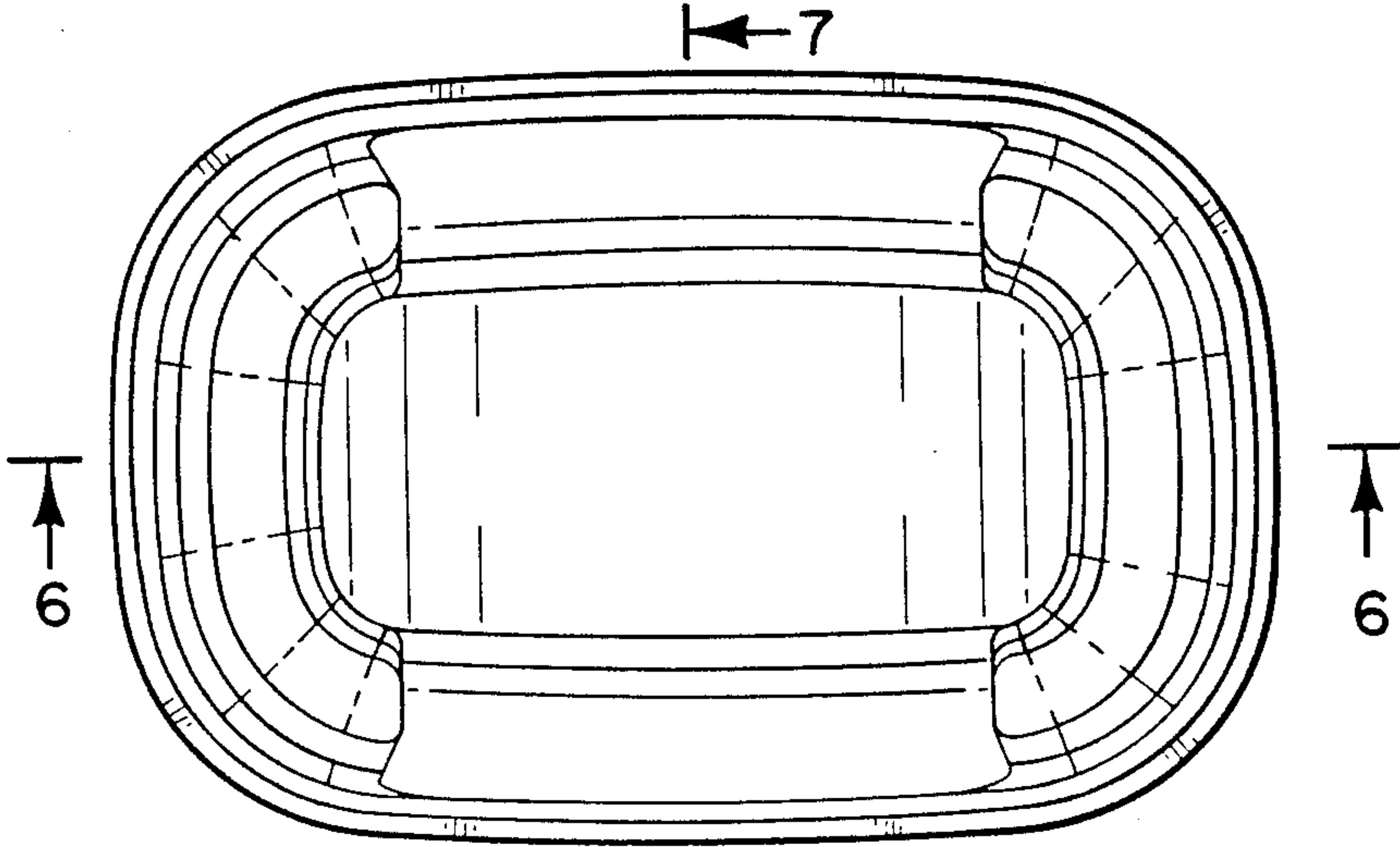


FIG. 2

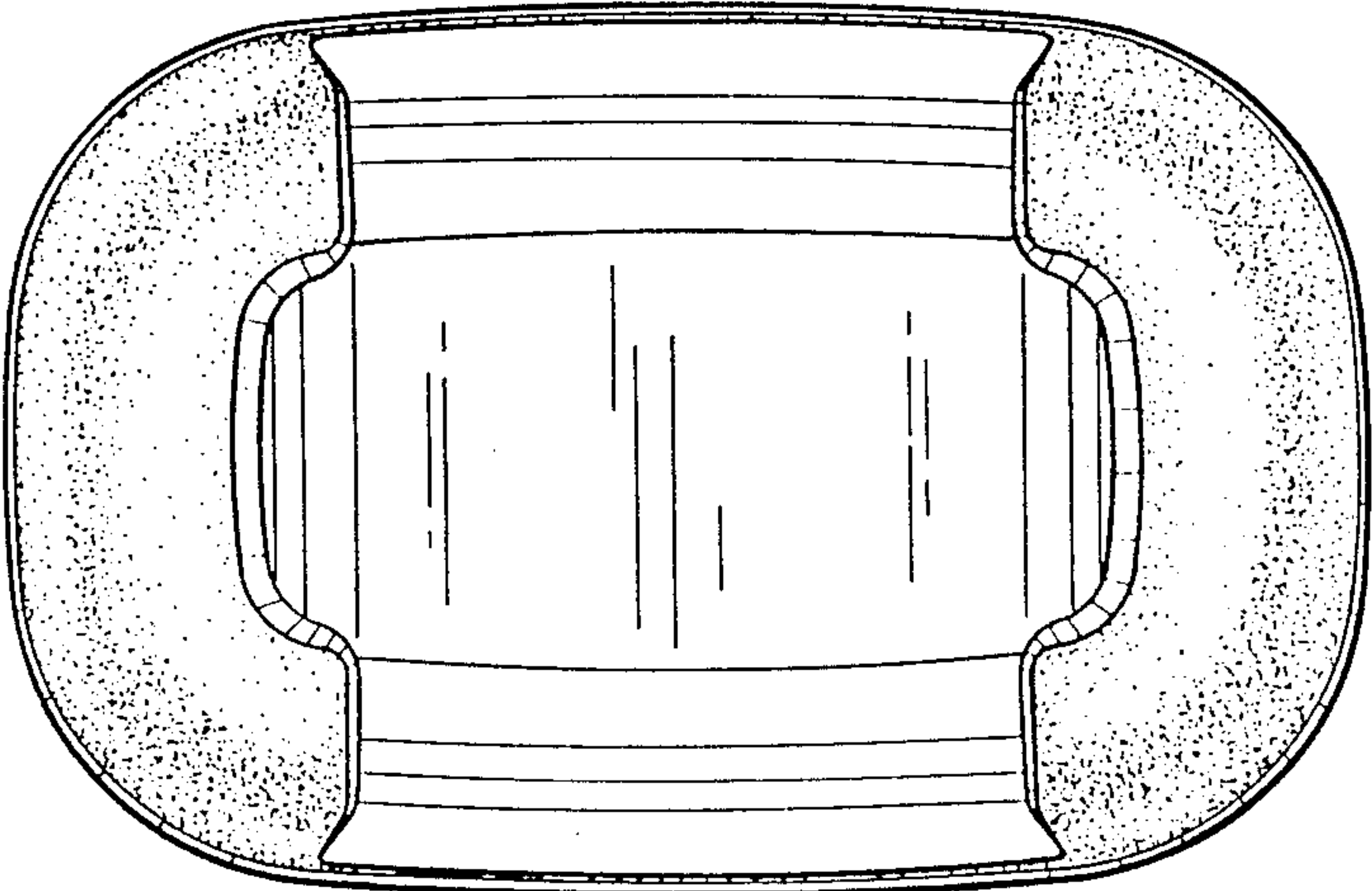


FIG. 3

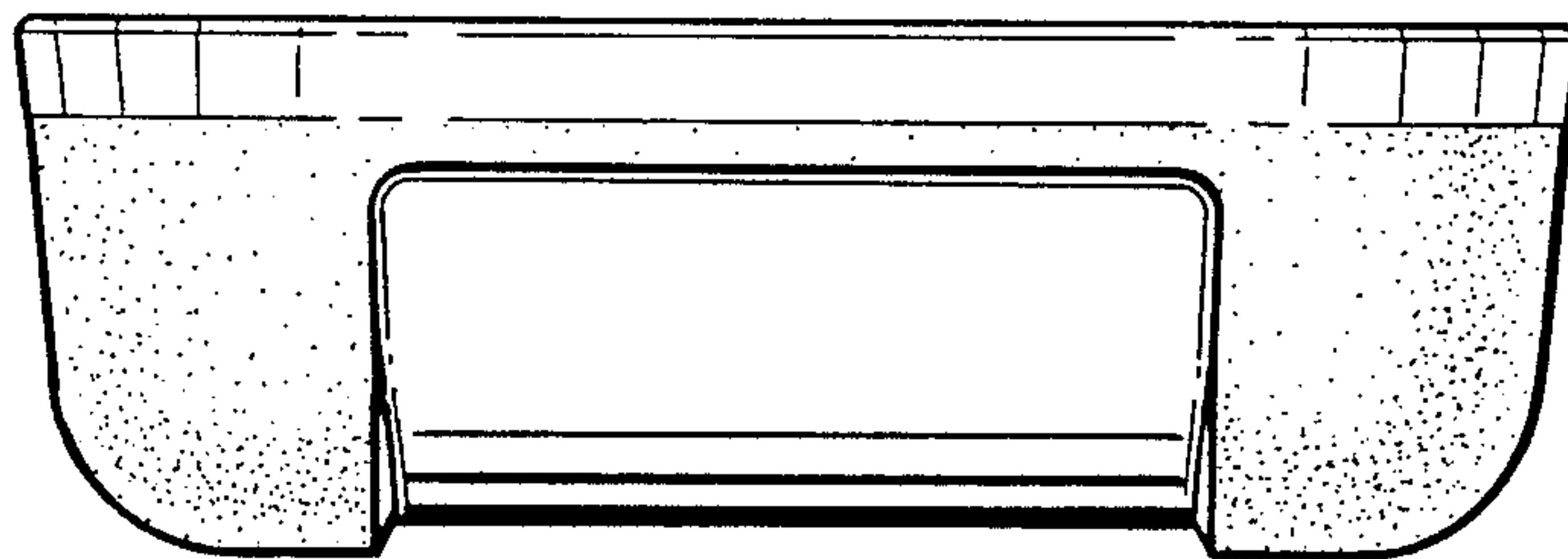


FIG. 4

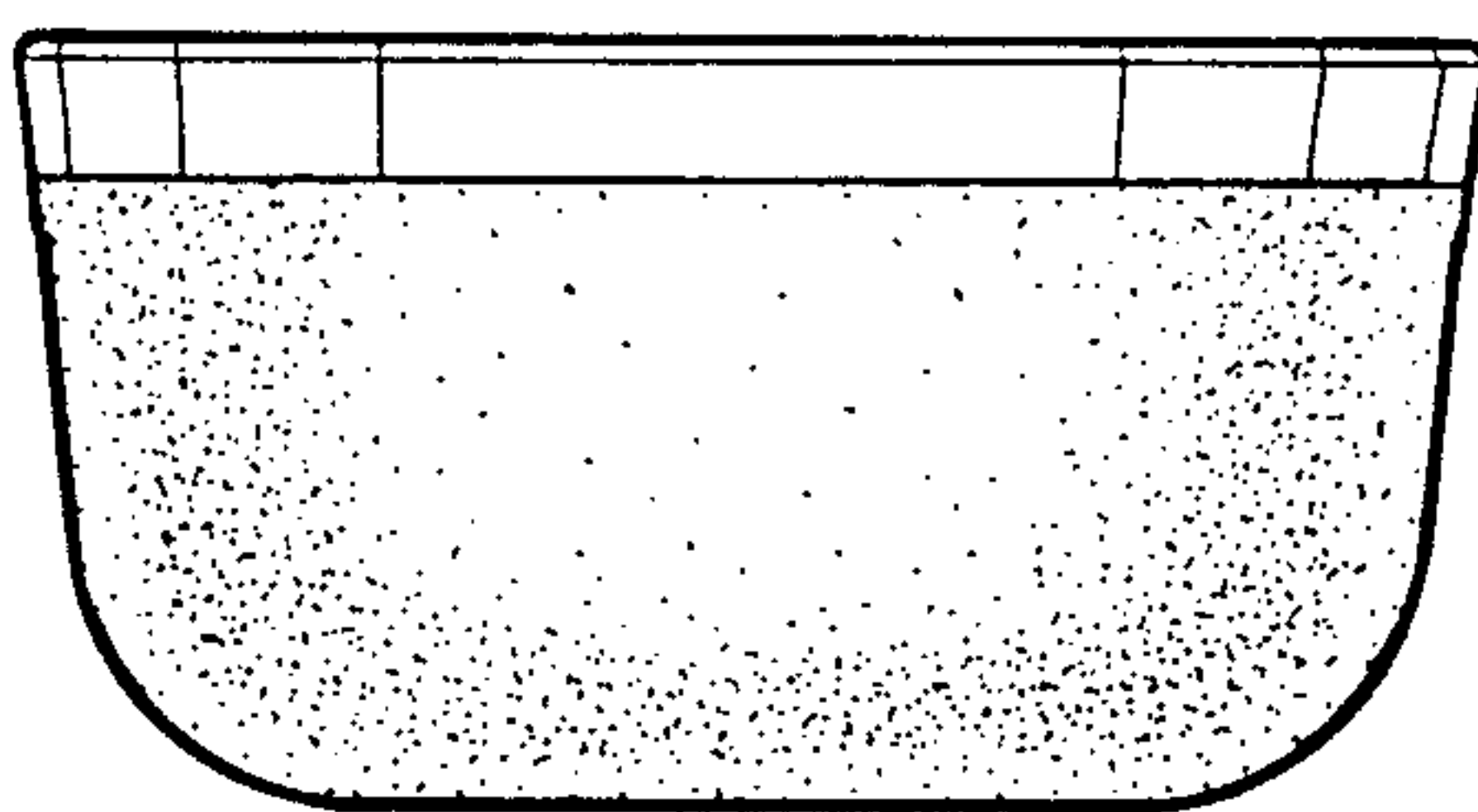


FIG. 5

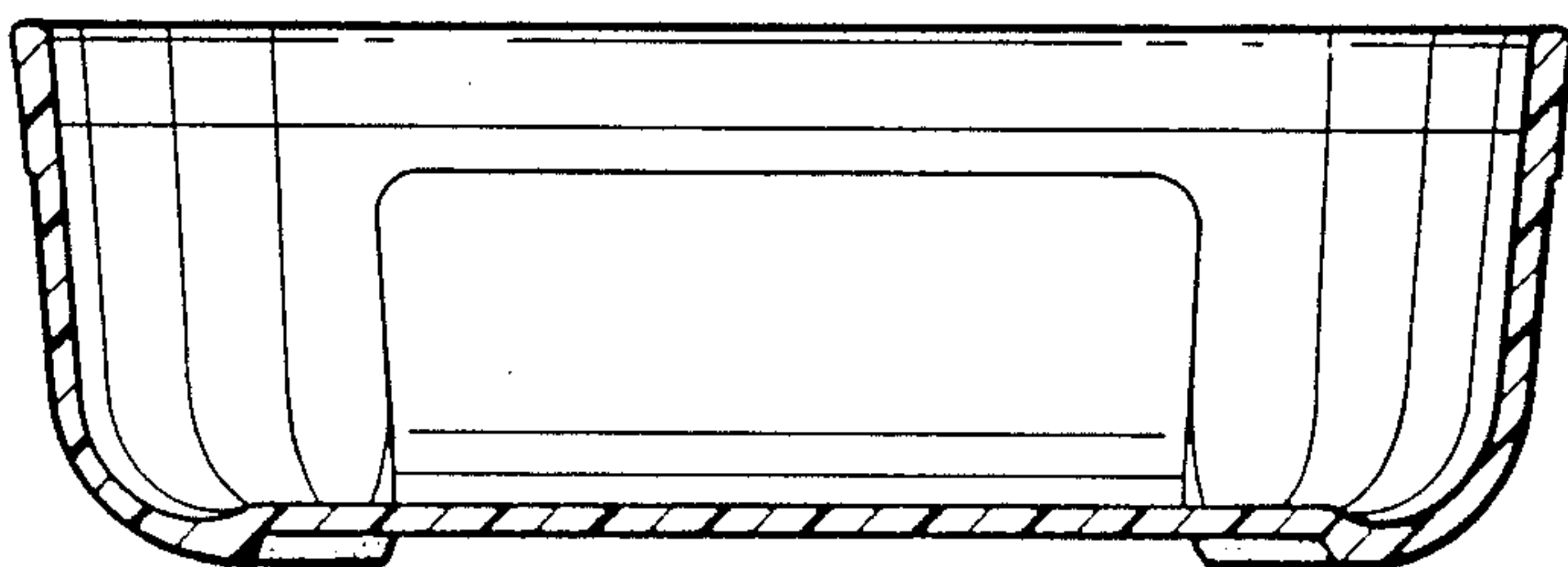


FIG. 6

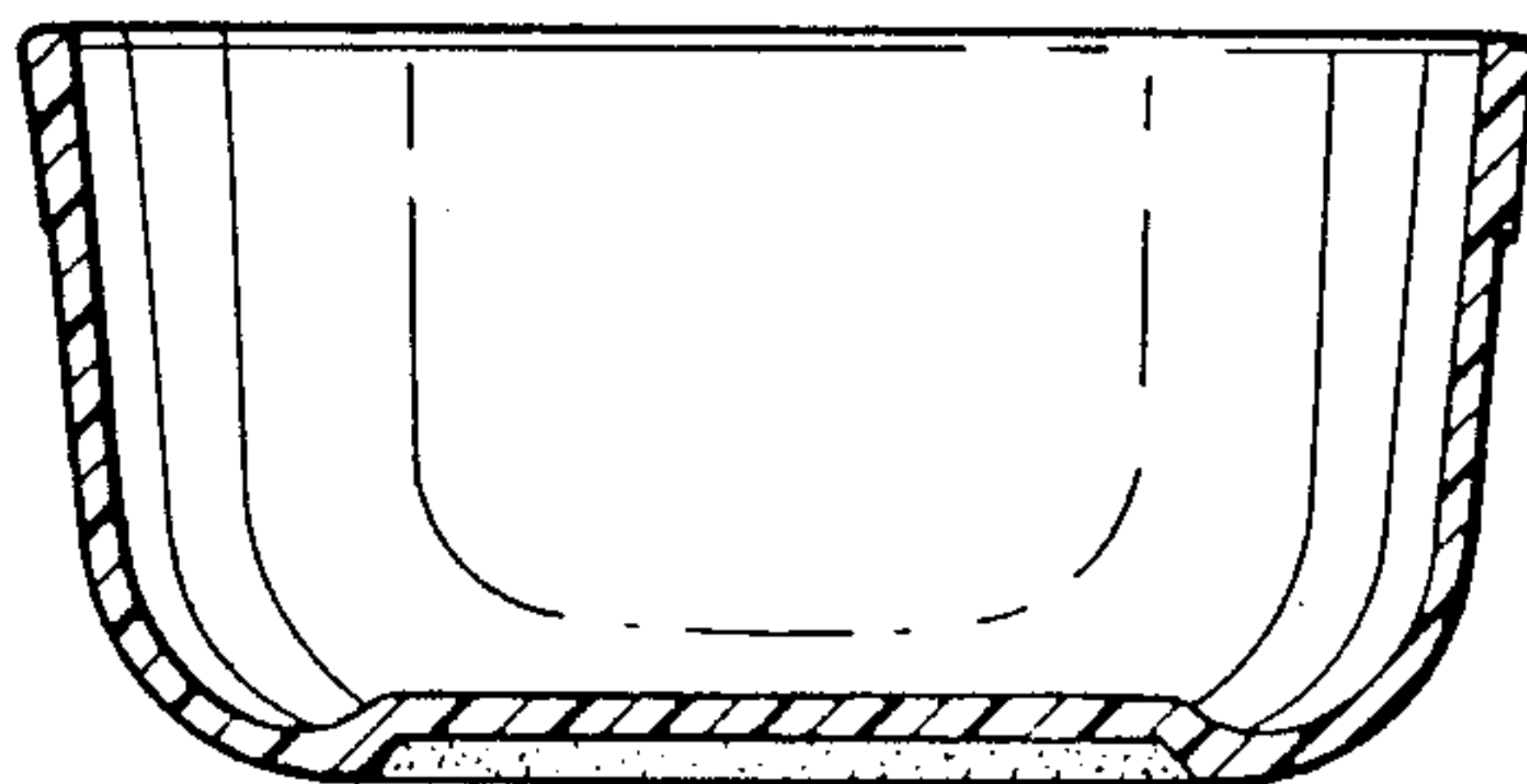


FIG. 7

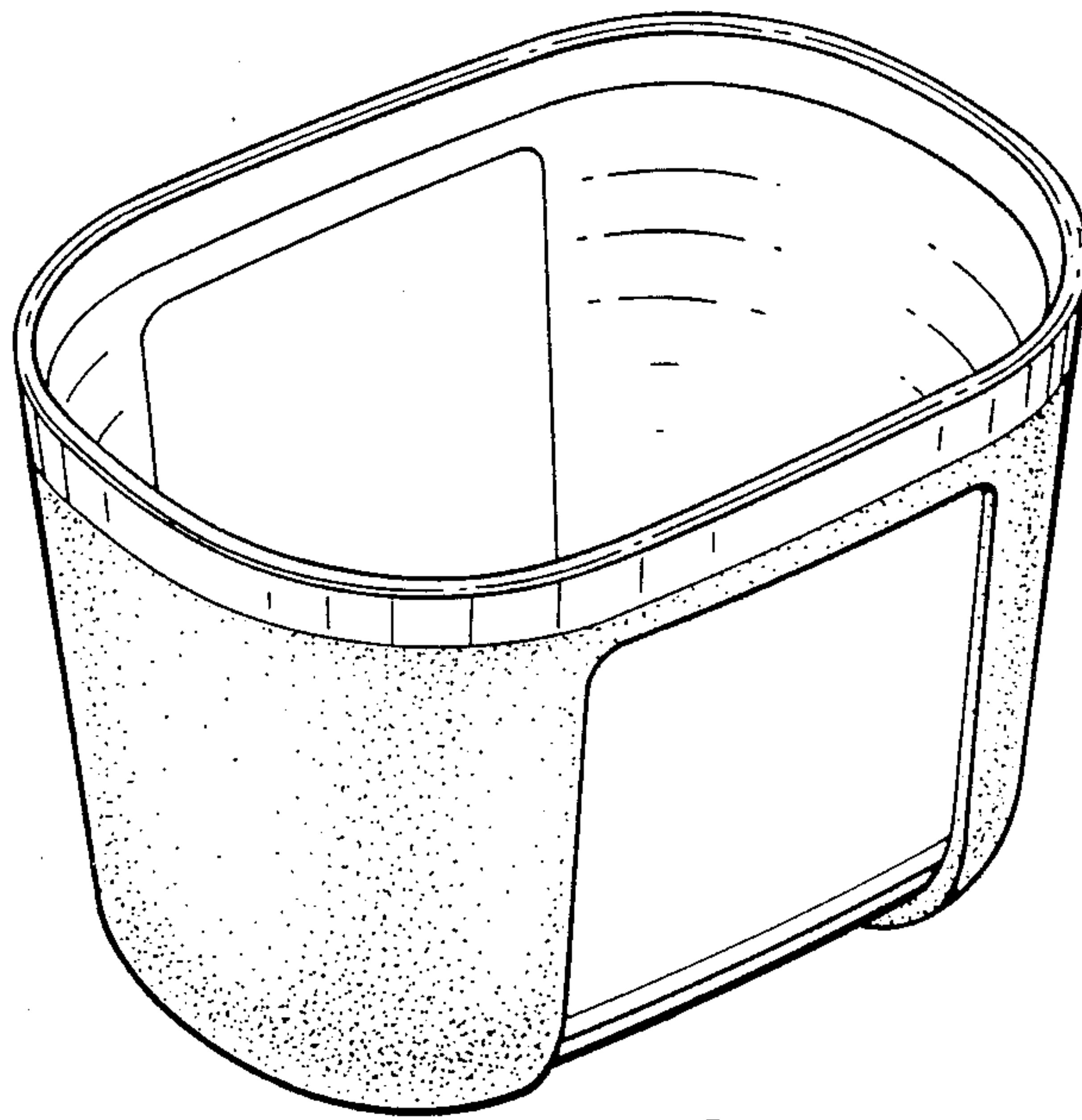


FIG. 8

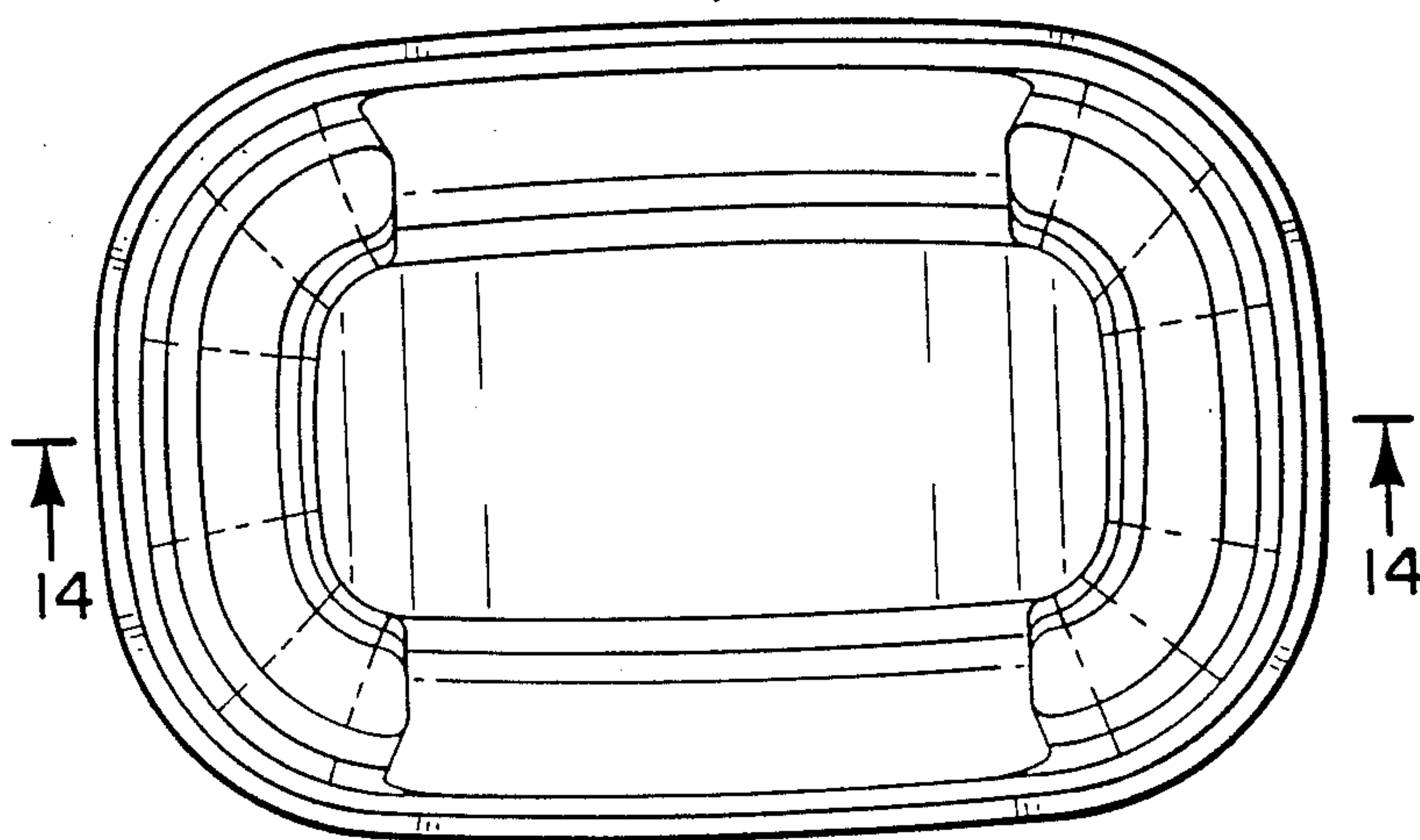


FIG. 9

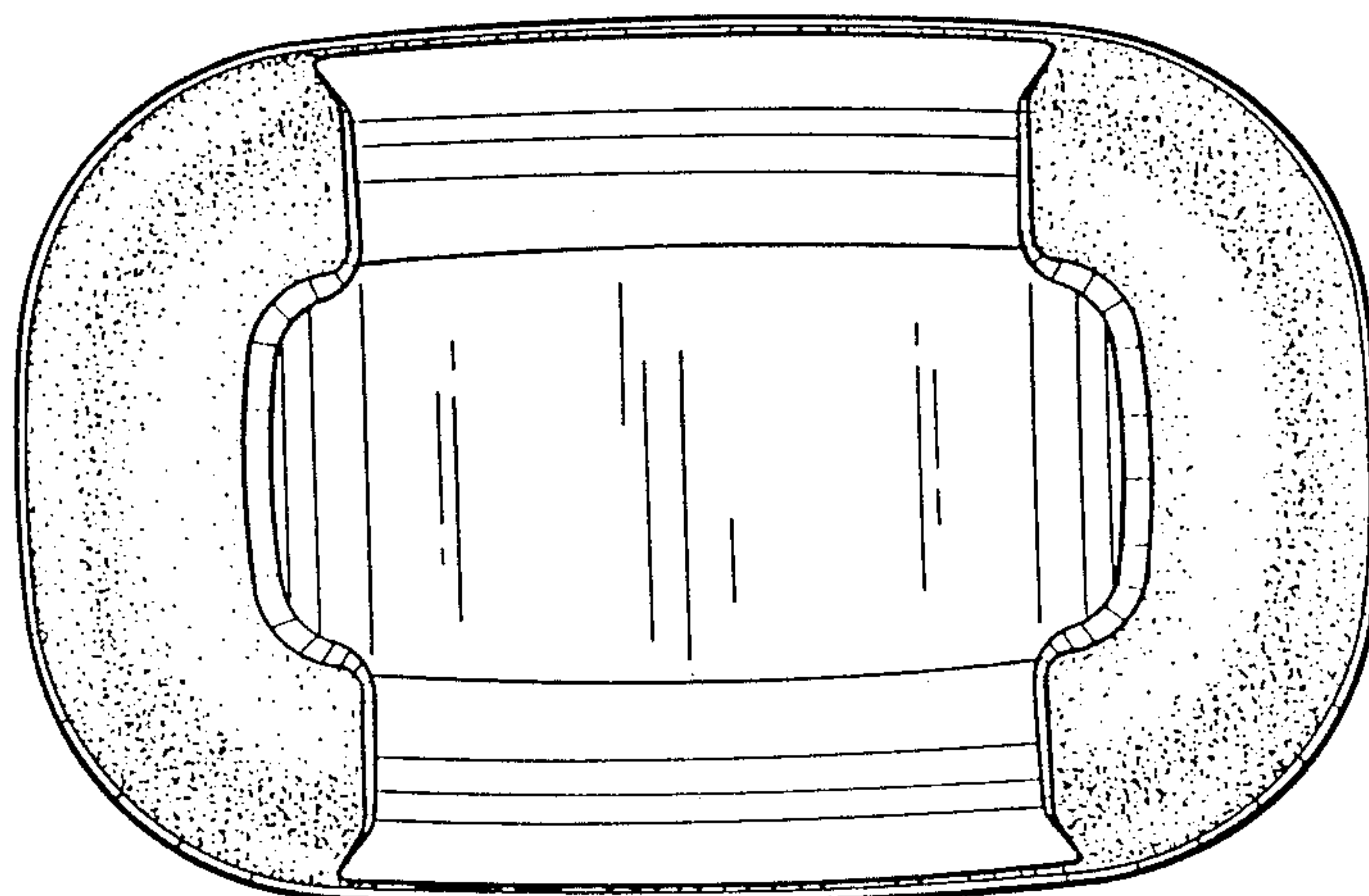


FIG. 10

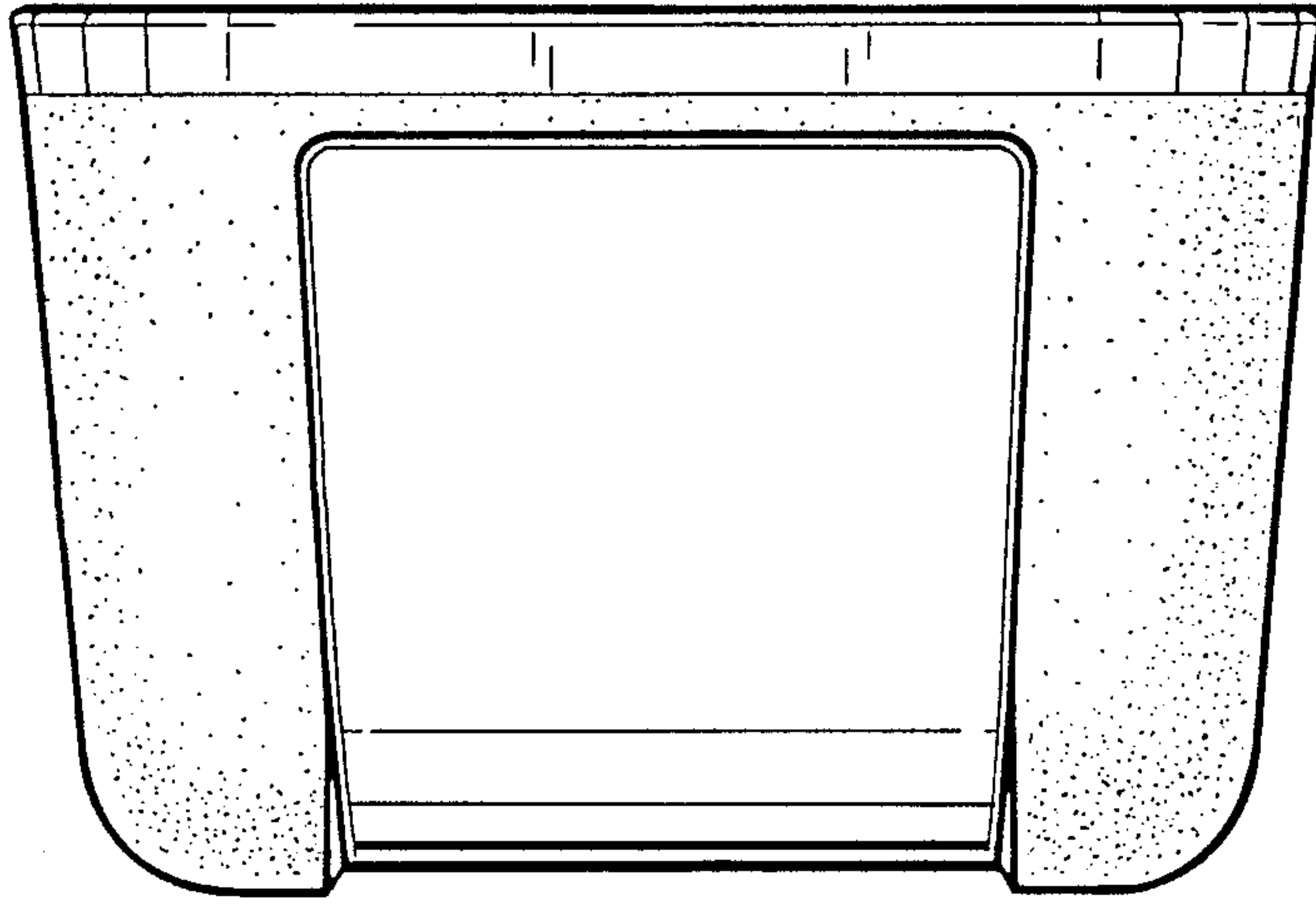


FIG. I

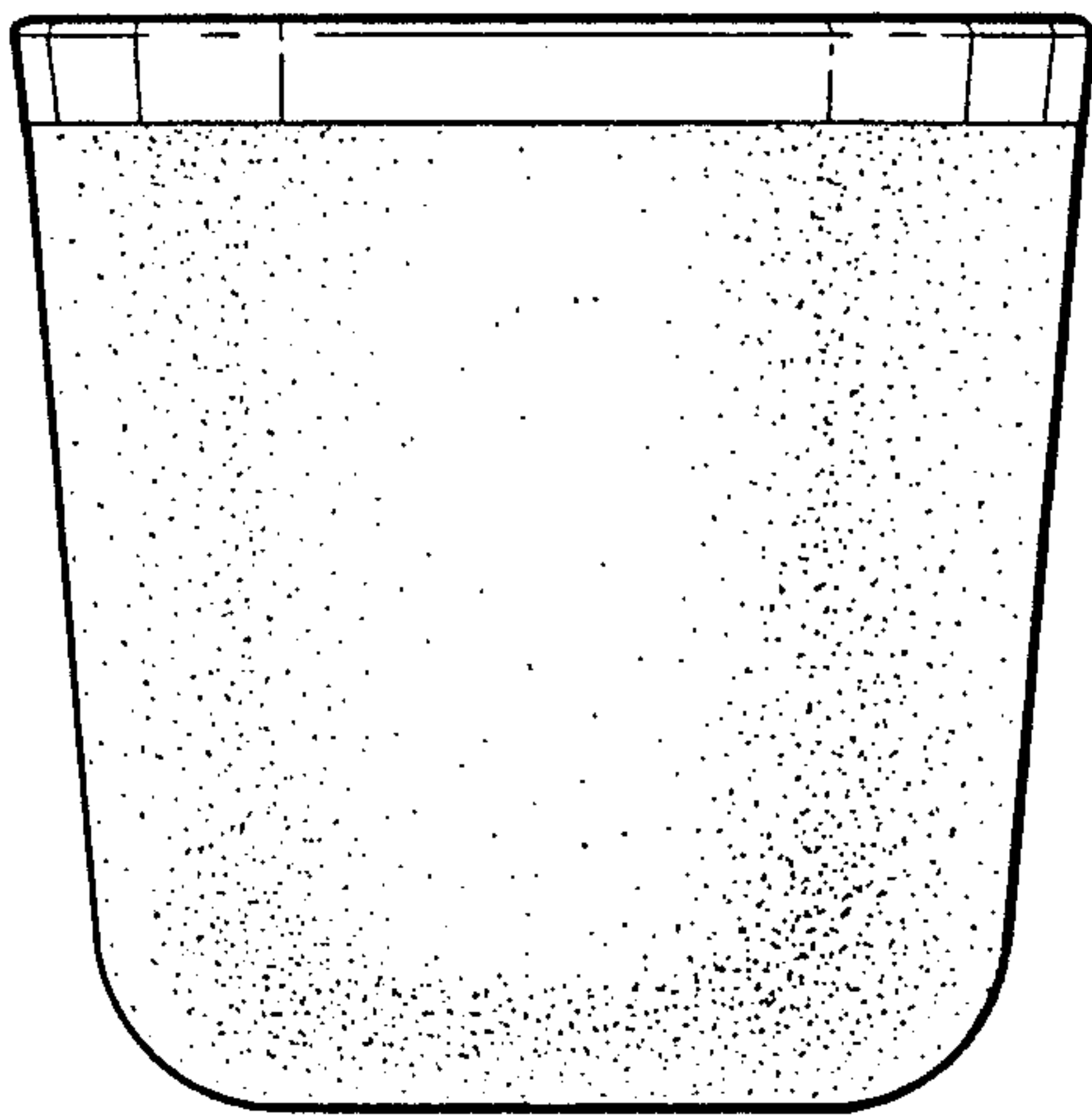


FIG. I2

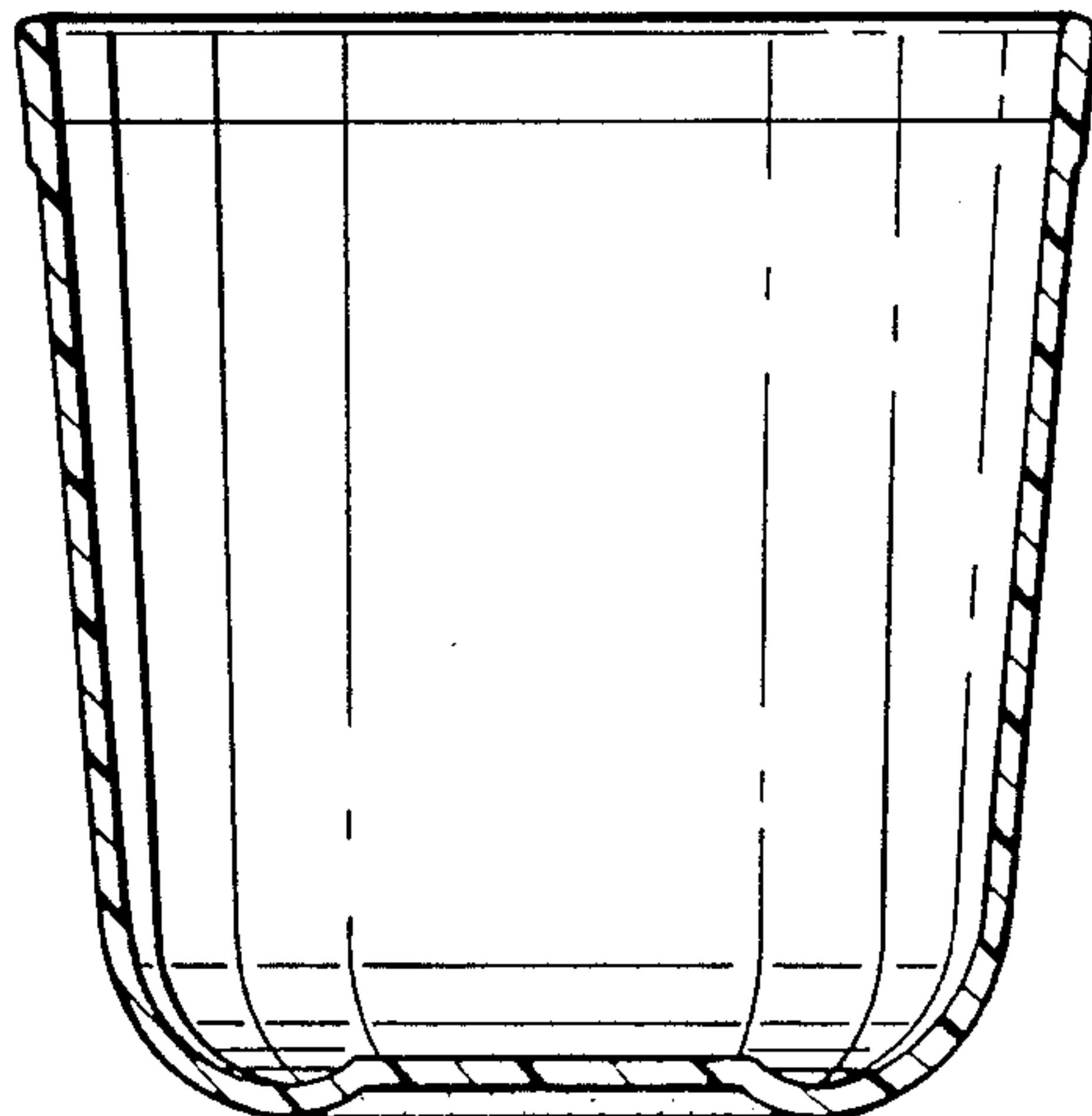


FIG. I3

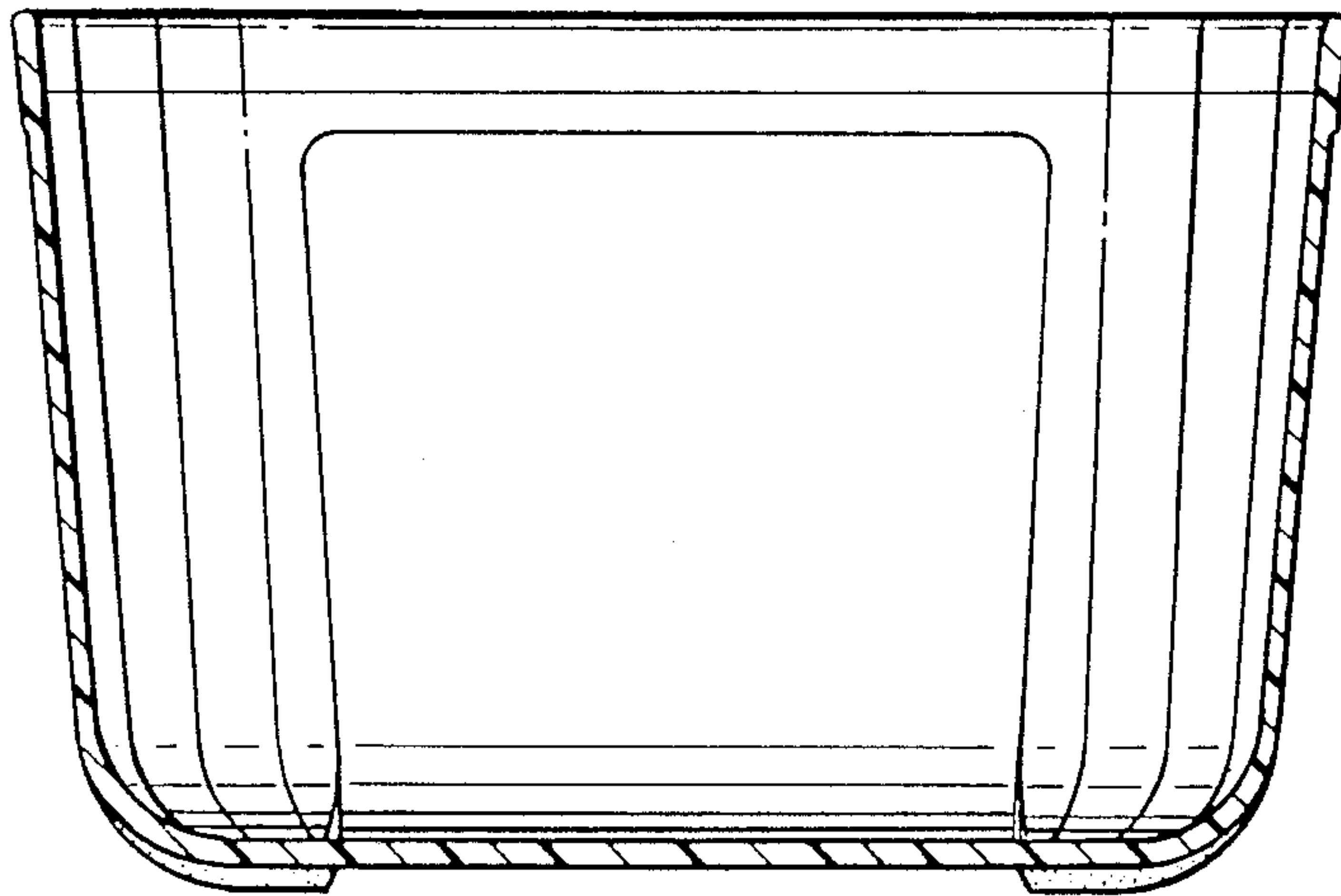


FIG. I4