

[54] **BOTTLE**

[75] **Inventor: Bethan M. Jones, Clwyd, Wales**

[73] **Assignee: CMB Foodcan plc, England**

[**] **Term: 14 Years**

[21] **Appl. No.: 99,845**

[22] **Filed: Sep. 21, 1987**

[30] **Foreign Application Priority Data**

Mar. 19, 1987 [GB] United Kingdom 1040876

[52] **U.S. Cl. D9/408**

[58] **Field of Search D9/408, 407, 403-406,
D9/409-413, 391, 394; 215/1 R, 1 C**

[56] **References Cited**

U.S. PATENT DOCUMENTS

- D. 24,956 12/1895 Dawes D9/391 X
- D. 124,861 1/1941 Leach D9/391 X
- D. 197,864 3/1964 Hartland D9/406
- D. 220,869 6/1971 Kretz D9/406
- D. 226,174 1/1973 Osborn D9/404
- D. 258,569 3/1981 Grip D9/412 X

FOREIGN PATENT DOCUMENTS

1019486 5/1984 United Kingdom .

OTHER PUBLICATIONS

Food Manufacture, Oct. 1985, p. 81, Hammonds
"Squeezy Bottle" top of page.

Primary Examiner—Melvin B. Feifer

Assistant Examiner—Lucy Lieberman

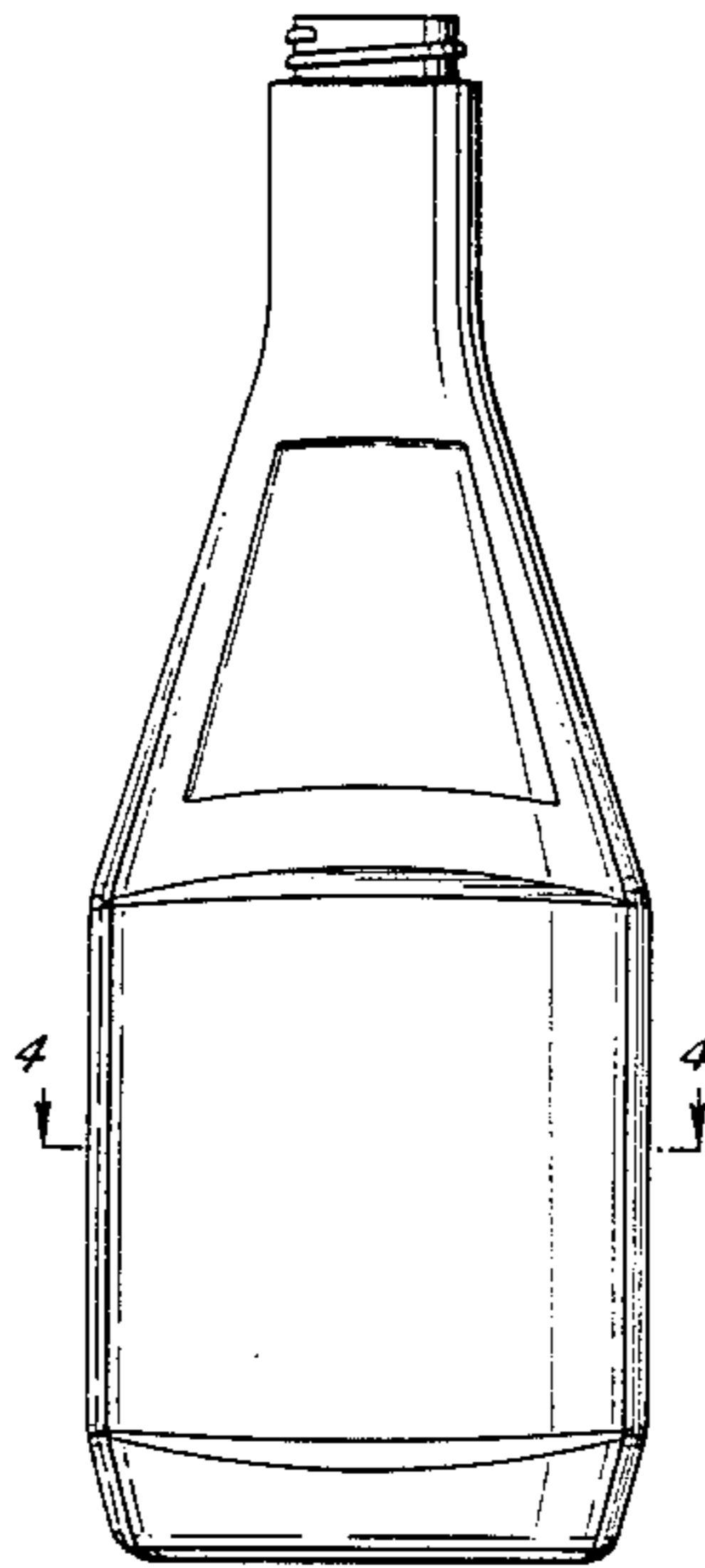
Attorney, Agent, or Firm—Diller, Ramik & Wight

[57] **CLAIM**

The ornamental design for a bottle, as shown and de-
scribed.

DESCRIPTION

FIG. 1 is a front elevation of a bottle showing my new
design, the rear elevation being the same in appearance;
FIG. 2 is a side elevation thereof, the opposite side
being the same in appearance;
FIG. 3 is a top plan view thereof; and
FIG. 4 is a cross-sectional view taken along line 4—4 in
FIG. 1.



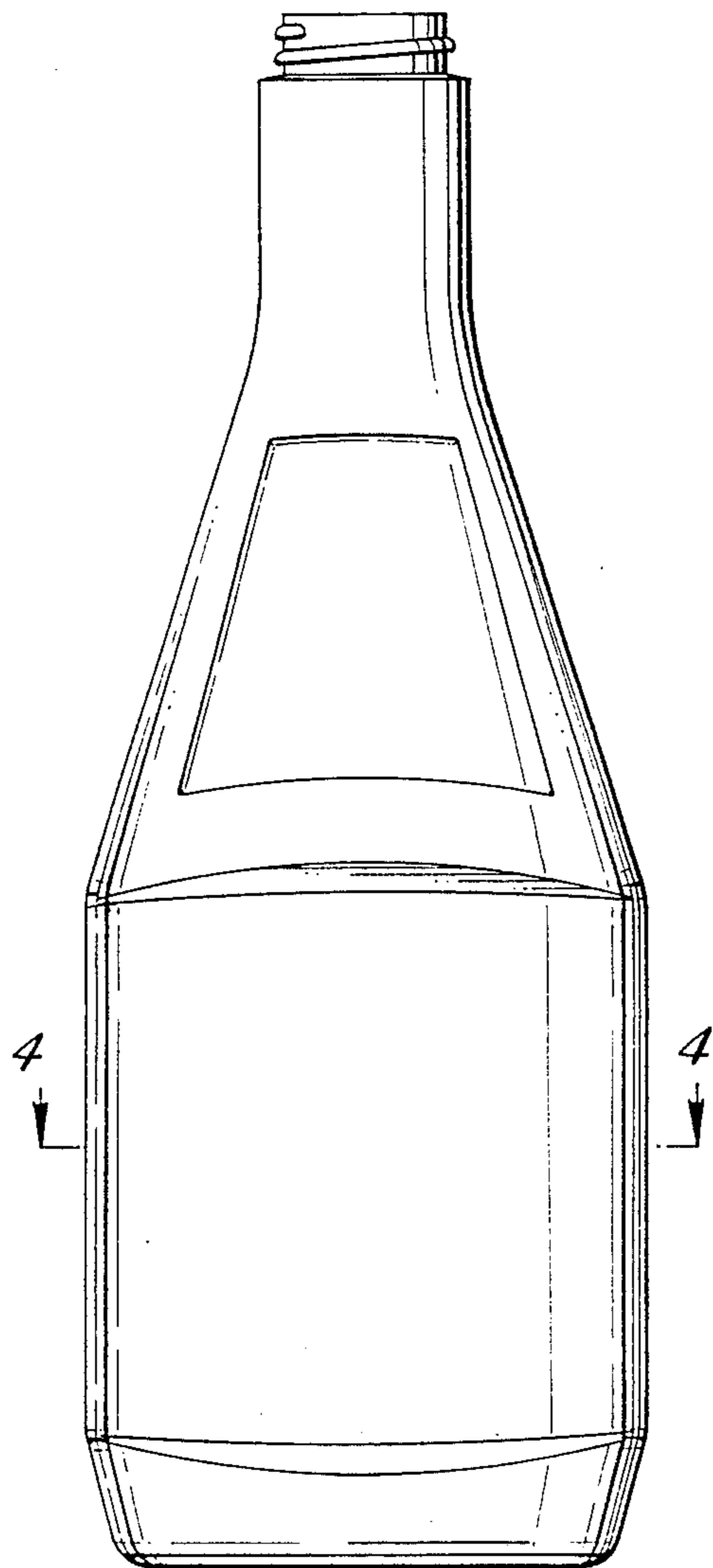


FIG. 1

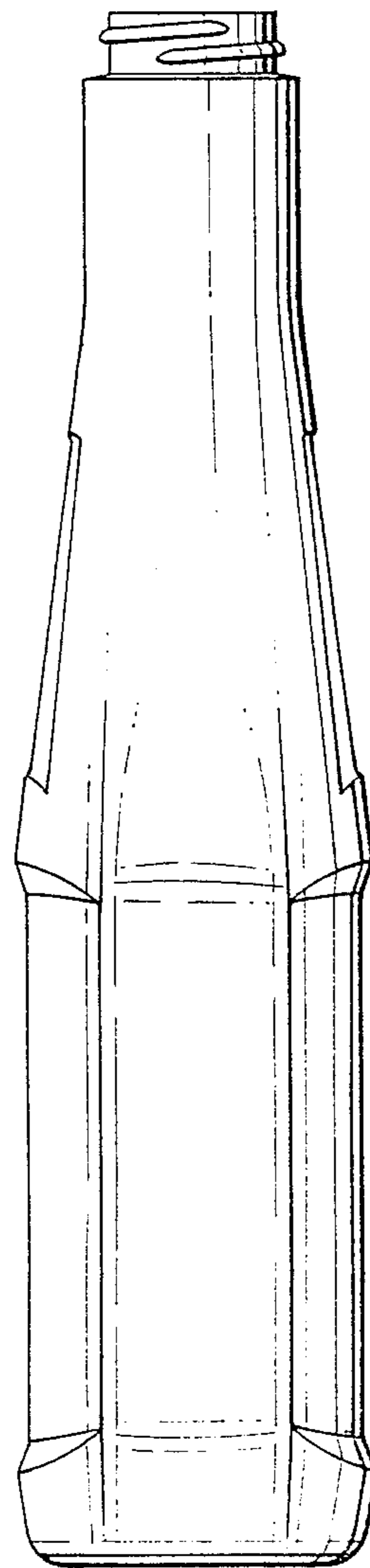


FIG. 2

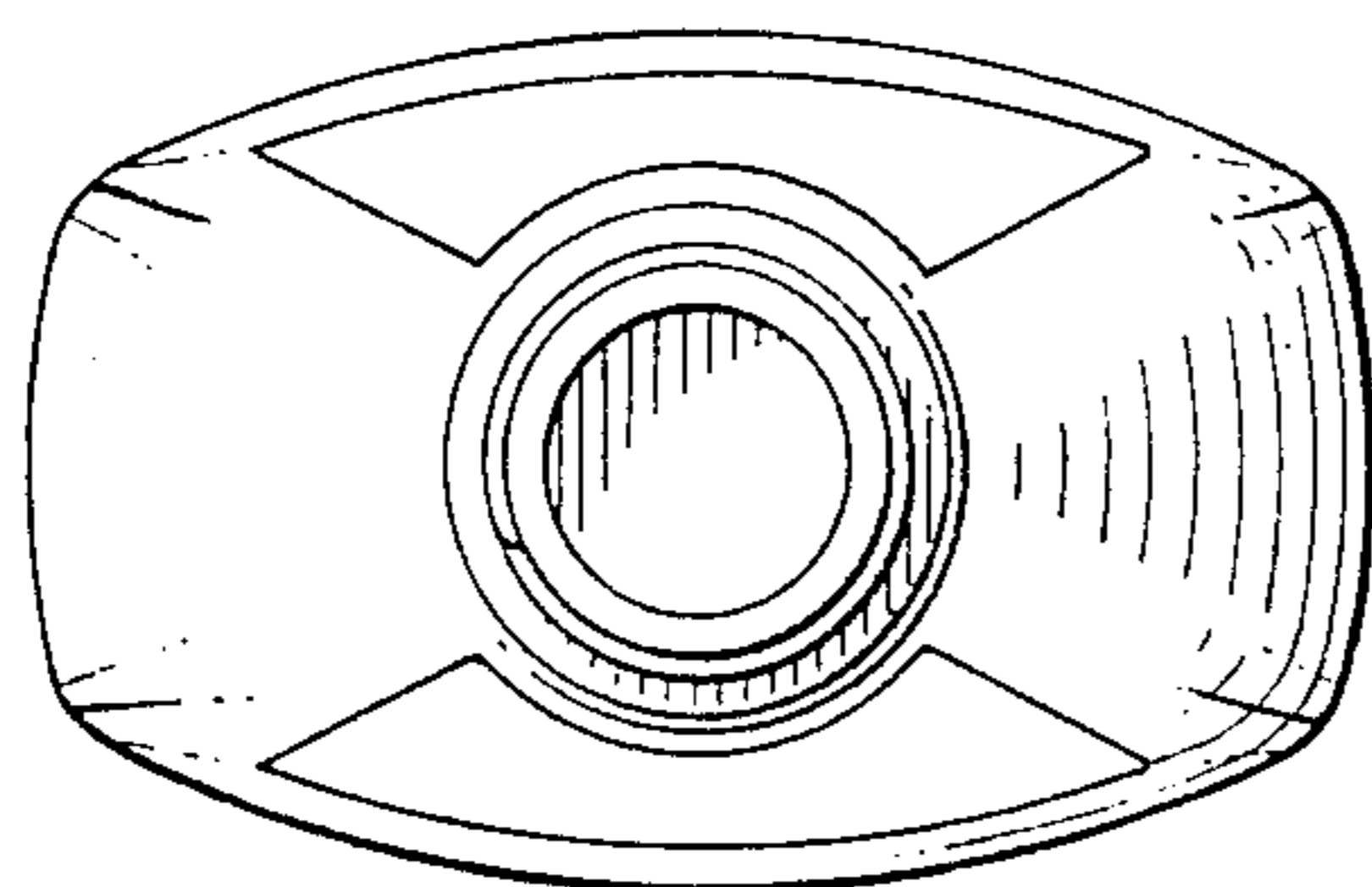


FIG. 3

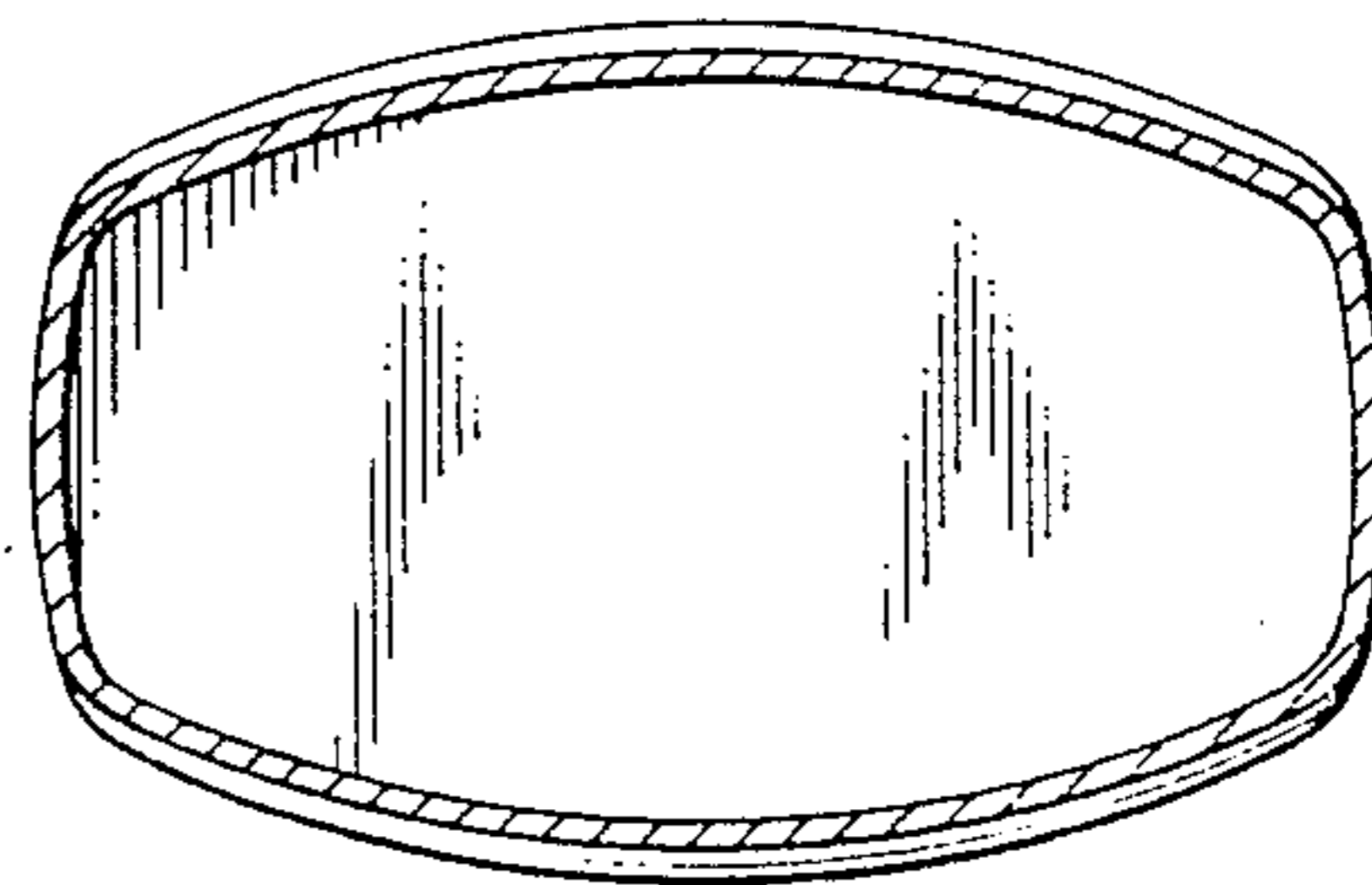


FIG. 4