

[54] **SHELF BRACKET**

[75] **Inventor: Kevin C. Overton, Maidstone, England**

[73] **Assignee: W. H. Overton Limited, Kent, England**

[**] **Term: 14 Years**

[21] **Appl. No.: 142,679**

[22] **Filed: Jan. 11, 1988**

[30] **Foreign Application Priority Data**

Jul. 8, 1987 [GB] United Kingdom 1043331
 [52] **U.S. Cl.** **D8/381; D6/567**
 [58] **Field of Search** **D8/381; 248/248**

[56] **References Cited**

U.S. PATENT DOCUMENTS

D. 23,610	8/1894	Russell	D8/381
D. 26,927	4/1897	Held	D8/381
D. 47,283	5/1915	Eagan	D8/381
D. 127,587	6/1941	MacArthur	D8/381
D. 251,411	3/1979	Elmore	D8/381
967,419	8/1910	Neidl	248/248

FOREIGN PATENT DOCUMENTS

262758 6/1949 Switzerland 248/248

OTHER PUBLICATIONS

Schöner Wohnem, May 1981; p. 106 SW: Shelf Brackets Nos. 27, 28, 29.

Primary Examiner—Horace B. Fay, Jr.

Attorney, Agent, or Firm—Wenderoth, Lind and Ponack

[57] **CLAIM**

The ornamental design for shelf bracket, as shown and described.

DESCRIPTION

FIG. 1 is a side elevational view of a shelf bracket showing my new design, the side opposite being a mirror image;

FIG. 2 is a sectional view taken on the line 2—2 of FIG. 1 taken in the direction of the arrow;

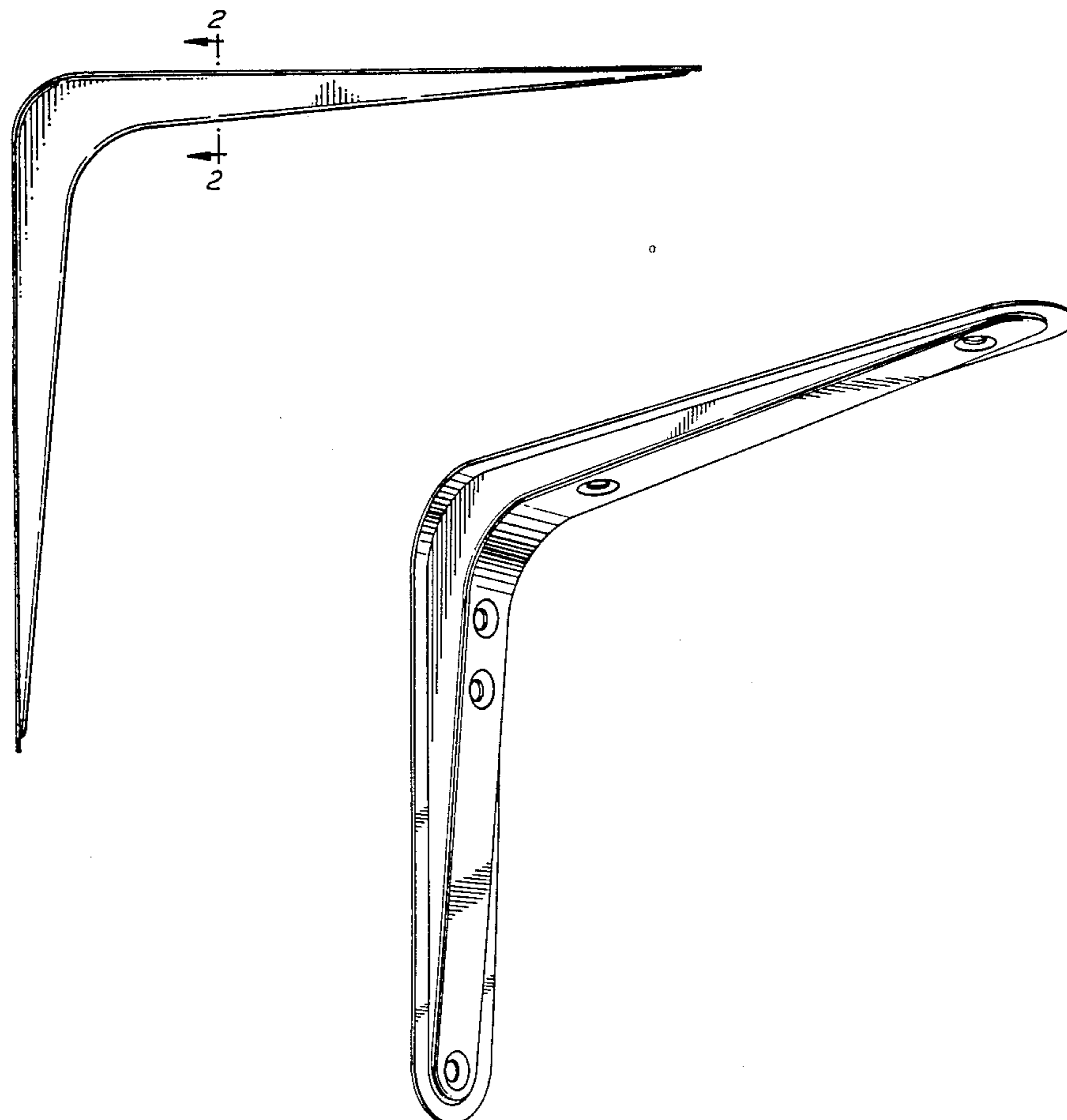
FIGS. 3 and 4 are respectively rear and front elevational views;

FIG. 5 is a bottom plan view;

FIG. 6 is a perspective view from above and to one side;

FIG. 7 is a perspective view taken from the wall side of the downward leg; and

FIG. 8 is a perspective view from below and to one side.



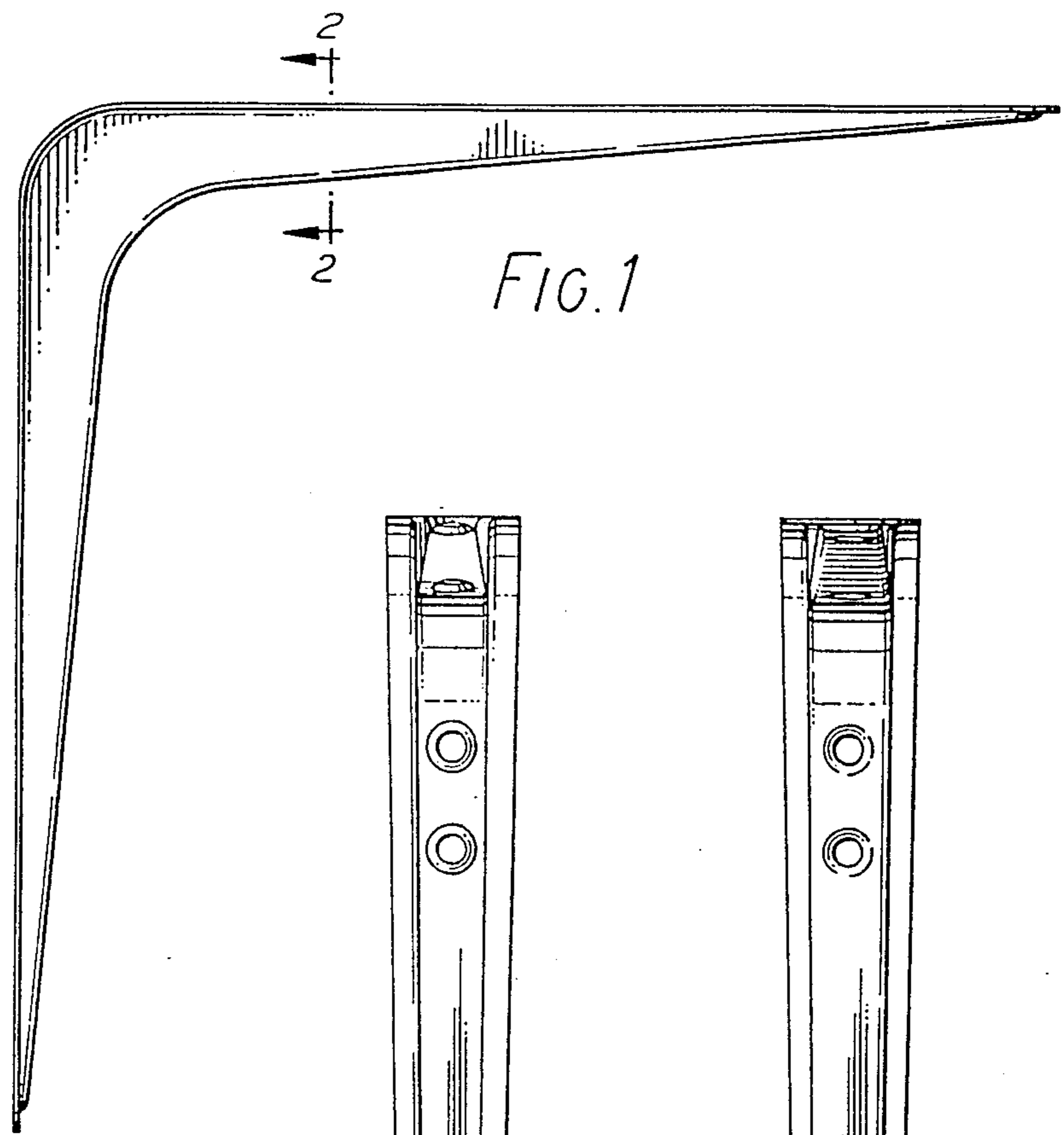


FIG. 1

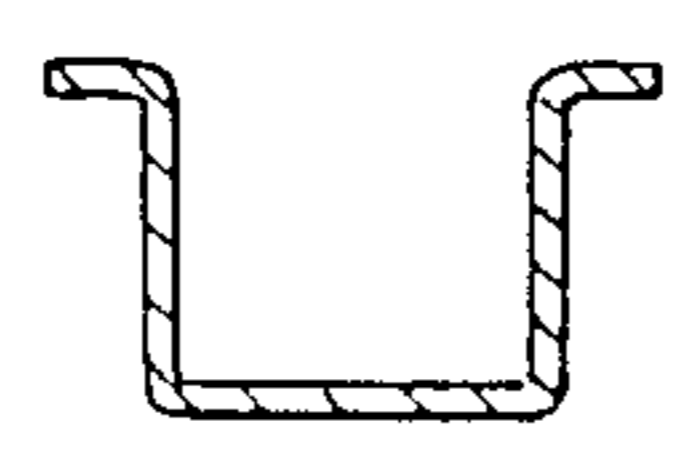


FIG. 2

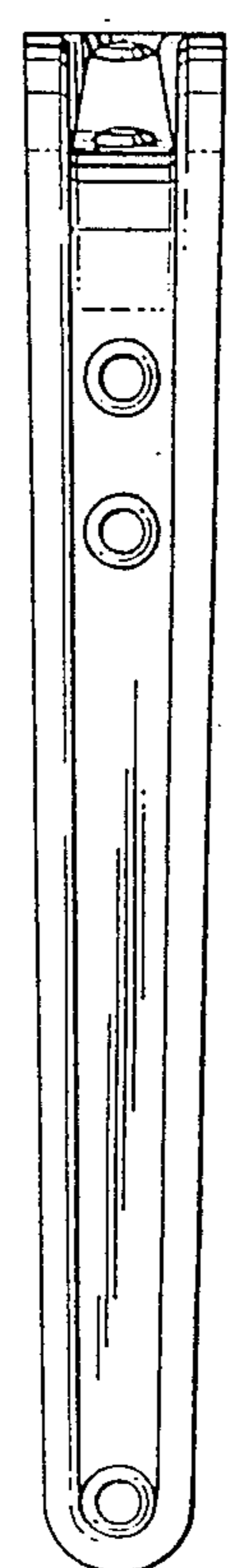


FIG. 3



FIG. 4

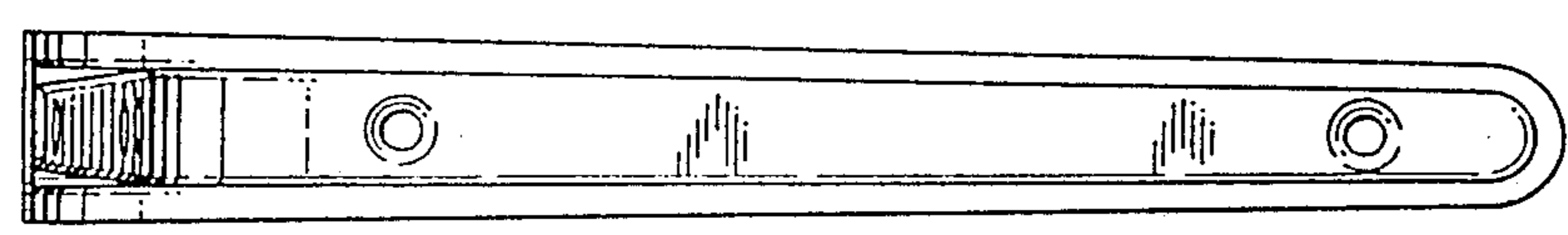


FIG. 5

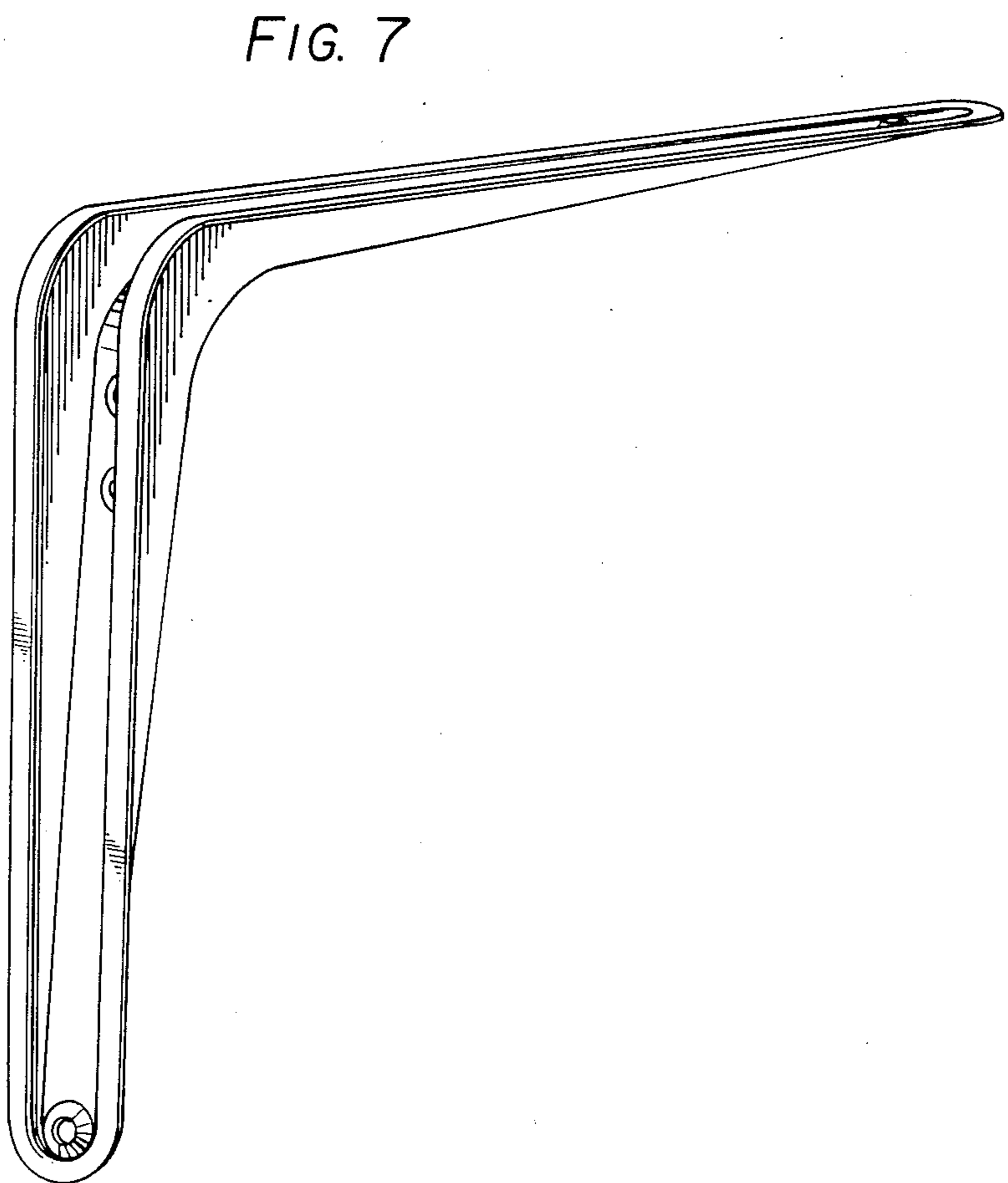
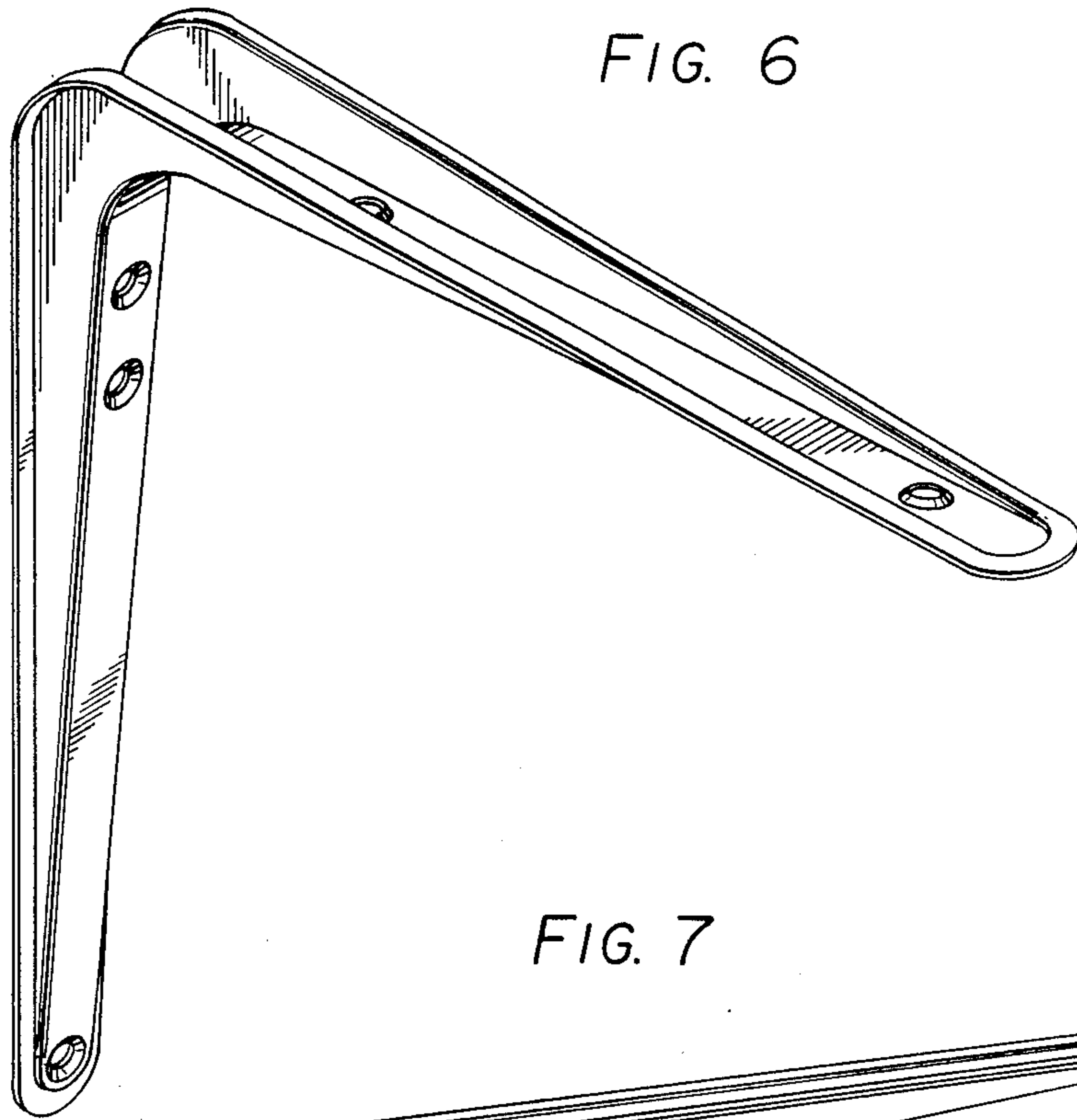


FIG. 8

