

United States Patent [19]

Evenson

[11] Patent Number: Des. 312,961

[45] Date of Patent: ** Dec. 18, 1990

[54] HANGER FOR USE WITH A PARTITION

[75] Inventor: Mel Evenson, San Pedro, Calif.

[73] Assignee: Eldon Industries, Inc., Inglewood, Calif.

[**] Term: 14 Years

[21] Appl. No.: 5,564

[22] Filed: Jan. 20, 1987

[52] U.S. Cl. D8/373; D8/367

[58] Field of Search D8/367, 373, 382, 370, D8/381; 248/214; D6/513, 567, 403; D19/32

[56] **References Cited**

U.S. PATENT DOCUMENTS

D. 282,856	3/1986	Daly	D19/32	X
D. 289,140	4/1987	Fischer et al.	D8/367	X
356,403	1/1887	Gould	248/214	X
373,472	11/1887	Moser et al.	248/214	
3,088,126	5/1963	Klingler	248/214	X
3,127,114	3/1964	Shaw	248/214	X

3,907,118	9/1975	Pelavin	248/214	X
4,137,573	2/1979	Kroeger	248/214	X
4,510,872	4/1985	Parry	D6/513	
4,662,629	5/1987	Plovie	248/214	X
4,767,092	8/1988	Weatherly	248/214	X

Primary Examiner—Horace B. Fay, Jr.

[57] **CLAIM**

The ornamental design for a hanger for use with a partition, as shown and described.

DESCRIPTION

FIGS. 1 and 2 are respectively top and bottom plan views of a hanger for use with a partition showing my new design; FIGS. 3 and 4 are respectively front and rear elevational views thereof; FIG. 5 is a left side elevational view thereof, the side opposite being a mirror image; FIG. 6 is a perspective view taken from above and to one side thereof; and FIG. 7 is a perspective view taken from below and to the opposite side.

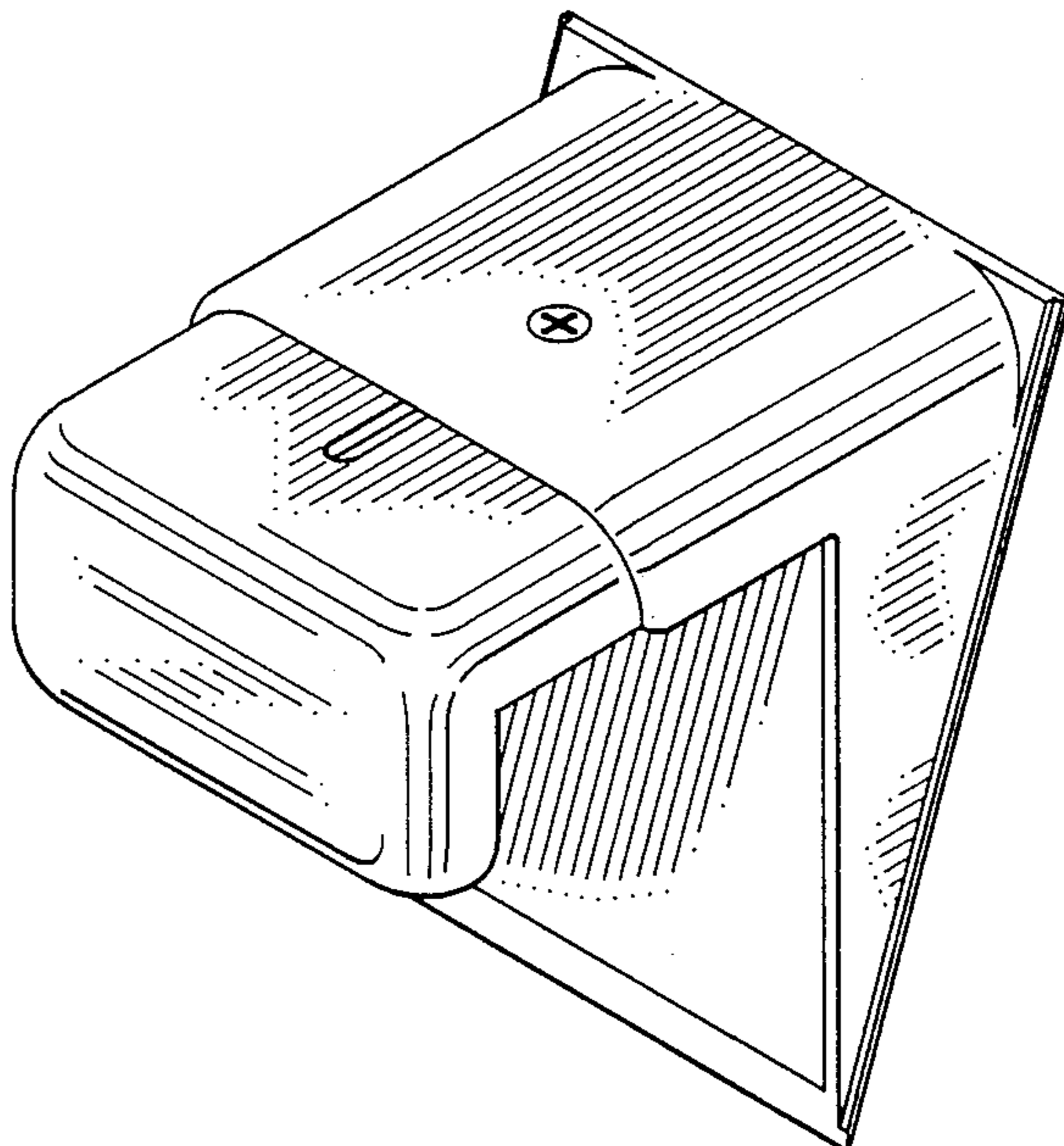
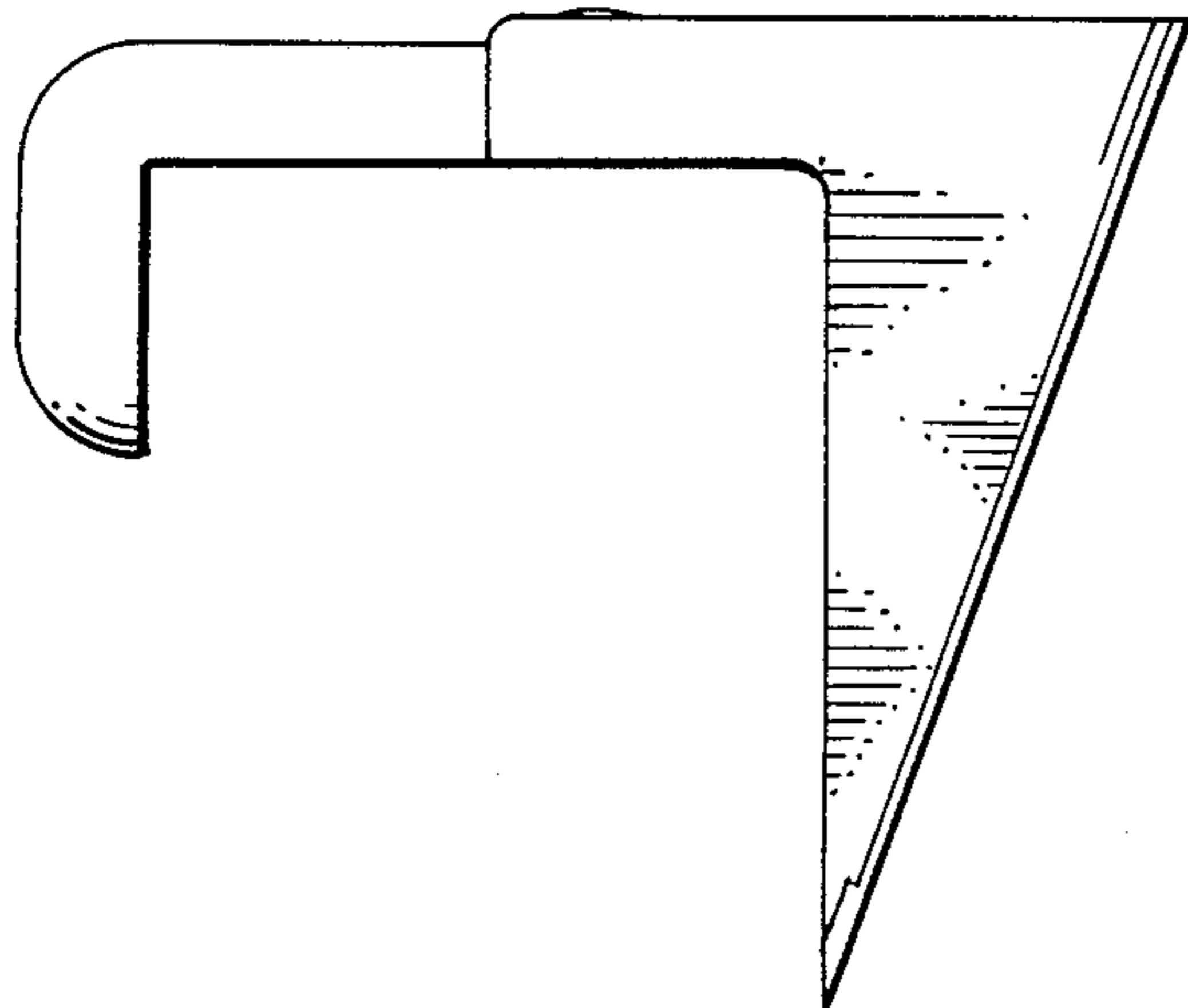


FIG. 1.

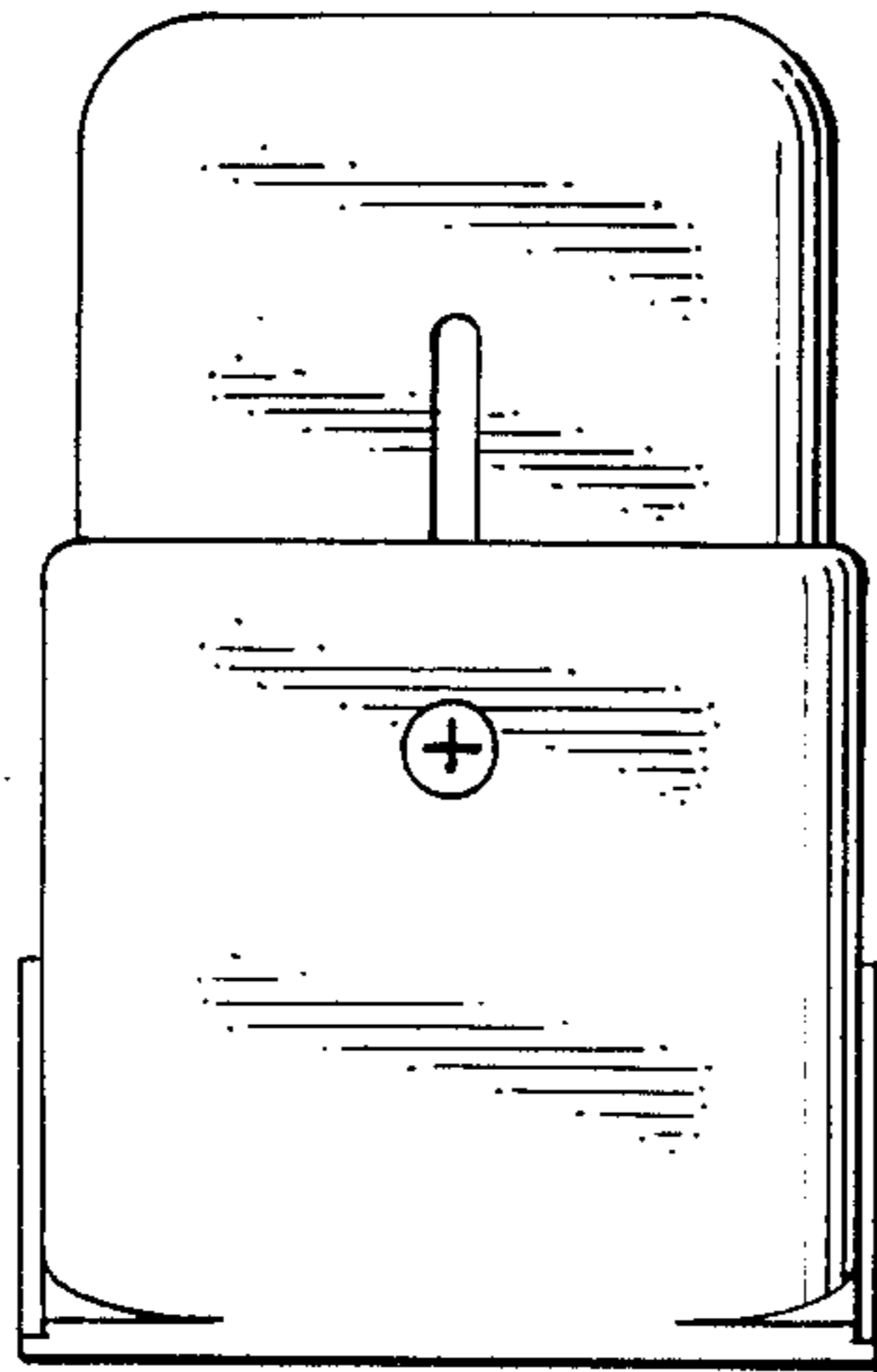


FIG. 2.

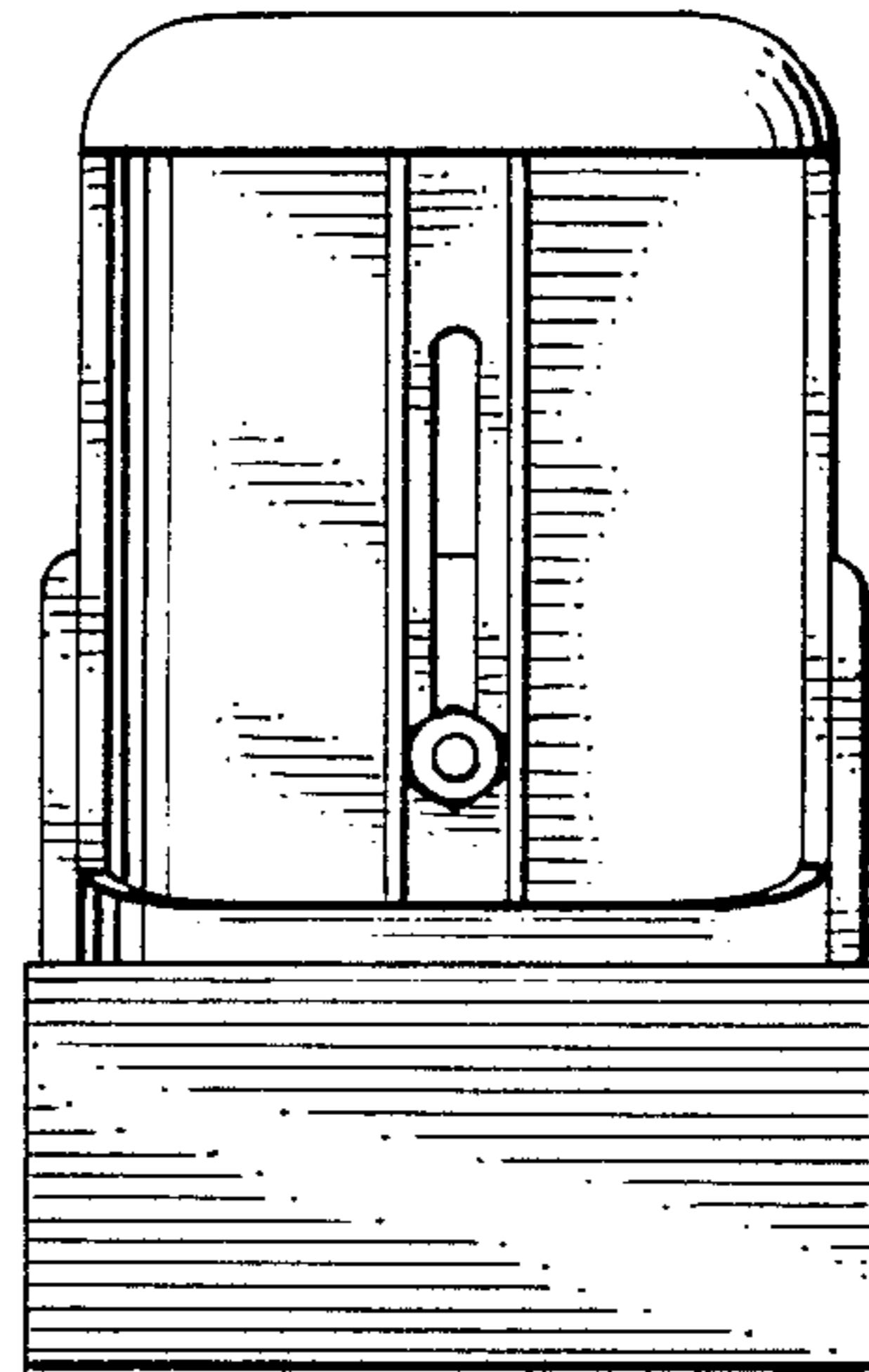


FIG. 3.

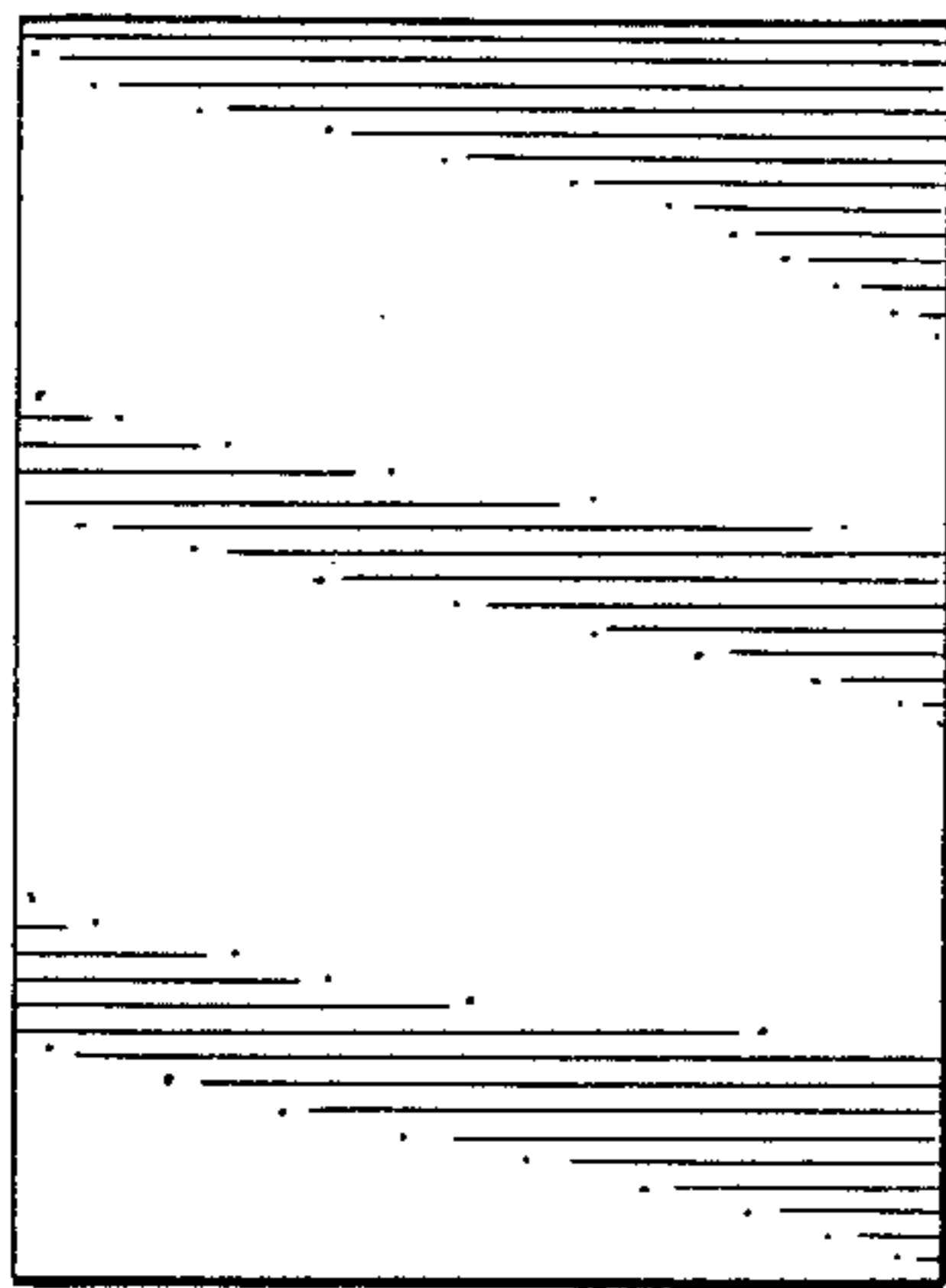


FIG. 4.

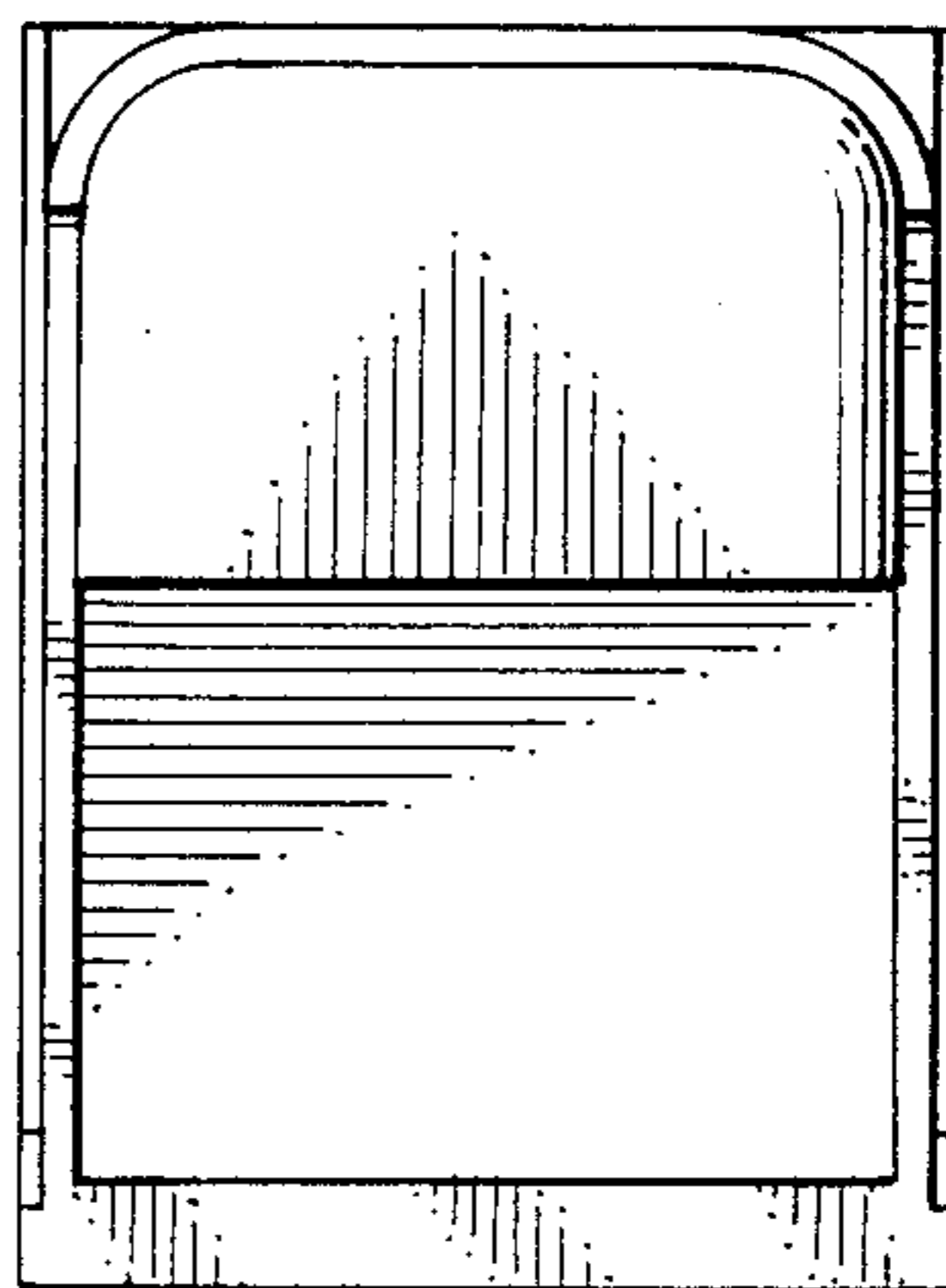
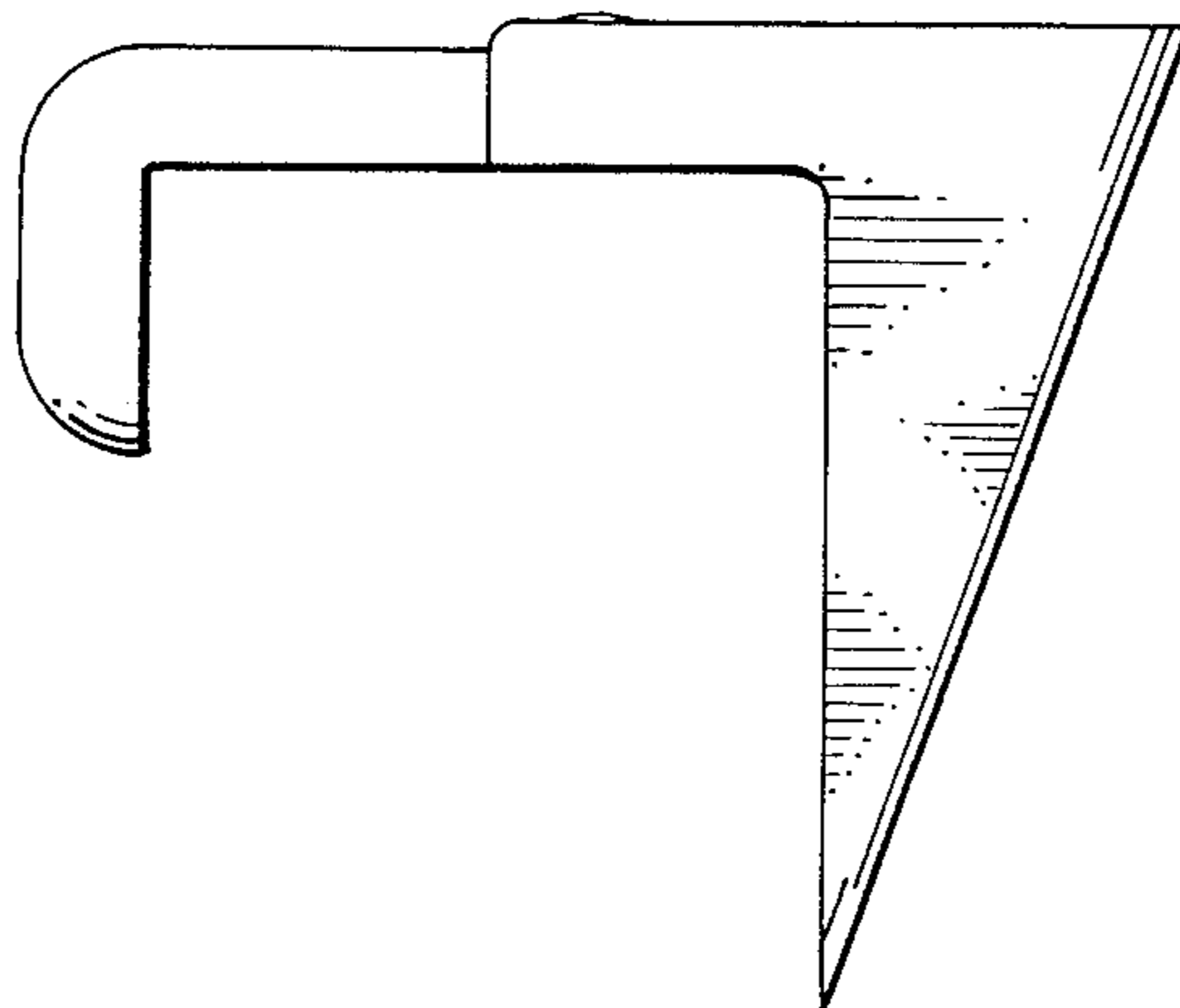


FIG. 5.



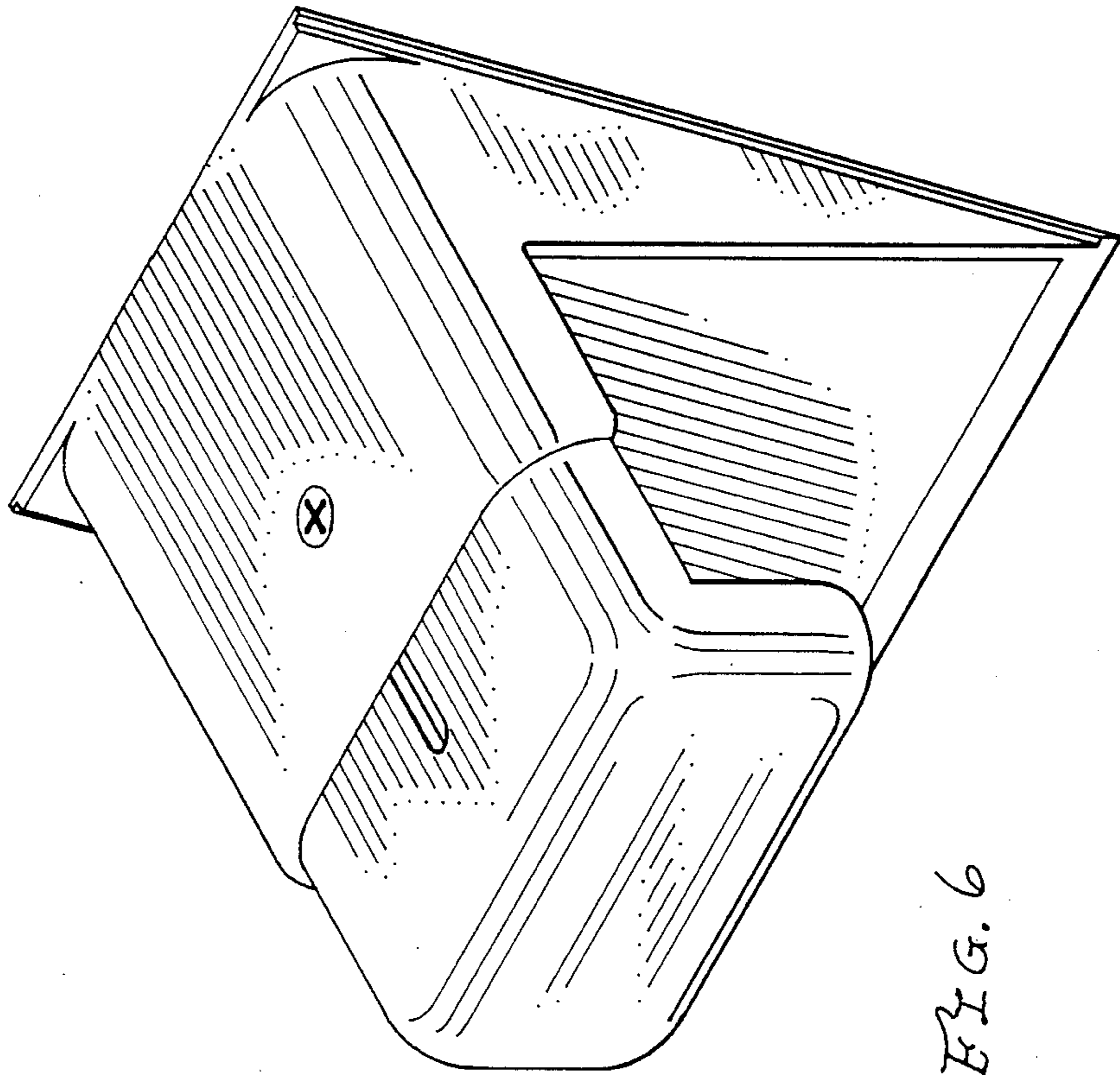


FIG. 6

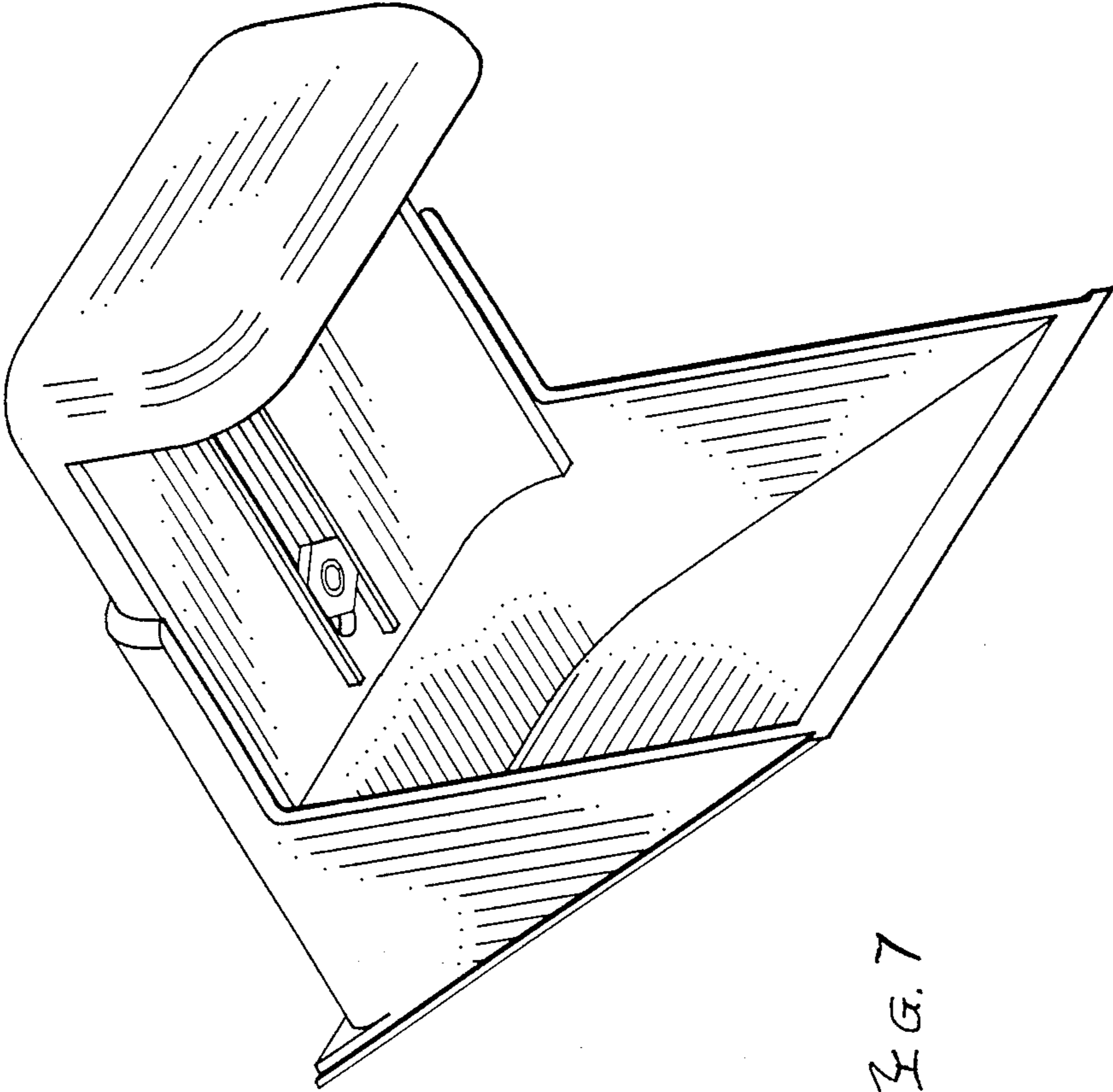


FIG. 7