

# United States Patent [19]

Embree et al.

[11] Patent Number: Des. 312,960

[45] Date of Patent: \*\* Dec. 18, 1990

[54] **DOUBLE HOOK**

[75] Inventors: **Donald Embree, Copley; David L. Hamann, Cincinnati, both of Ohio**

[73] Assignee: **Rubbermaid Incorporated, Wooster, Ohio**

[\*\*] Term: **14 Years**

[21] Appl. No.: **226,751**

[22] Filed: **Aug. 1, 1988**

[52] U.S. Cl. .... **D8/367; D8/373; 248/220.4**

[58] Field of Search ..... **D8/367, 380, 373, 372; 248/220.4, 304; D6/526, 552; D14/353**

[56] **References Cited**

### U.S. PATENT DOCUMENTS

D. 206,426 12/1966 Wise ..... D6/526  
D. 234,175 1/1975 Schellhouse ..... D6/526  
D. 242,407 11/1976 Enckler ..... D8/373  
D. 254,069 1/1980 Haley ..... D8/373 X

D. 254,881 5/1980 Pyskady ..... D6/526 X  
D. 267,453 1/1983 Kipperman ..... D6/526  
D. 268,309 3/1983 Wall ..... D8/373 X  
D. 272,023 1/1984 Mayer et al. .... D8/373 X  
D. 300,406 3/1989 Bordian ..... D6/526 X  
3,014,597 12/1961 McWhorter ..... 248/220.4  
4,688,683 8/1987 Thalenfeld et al. .... 248/220.4 X

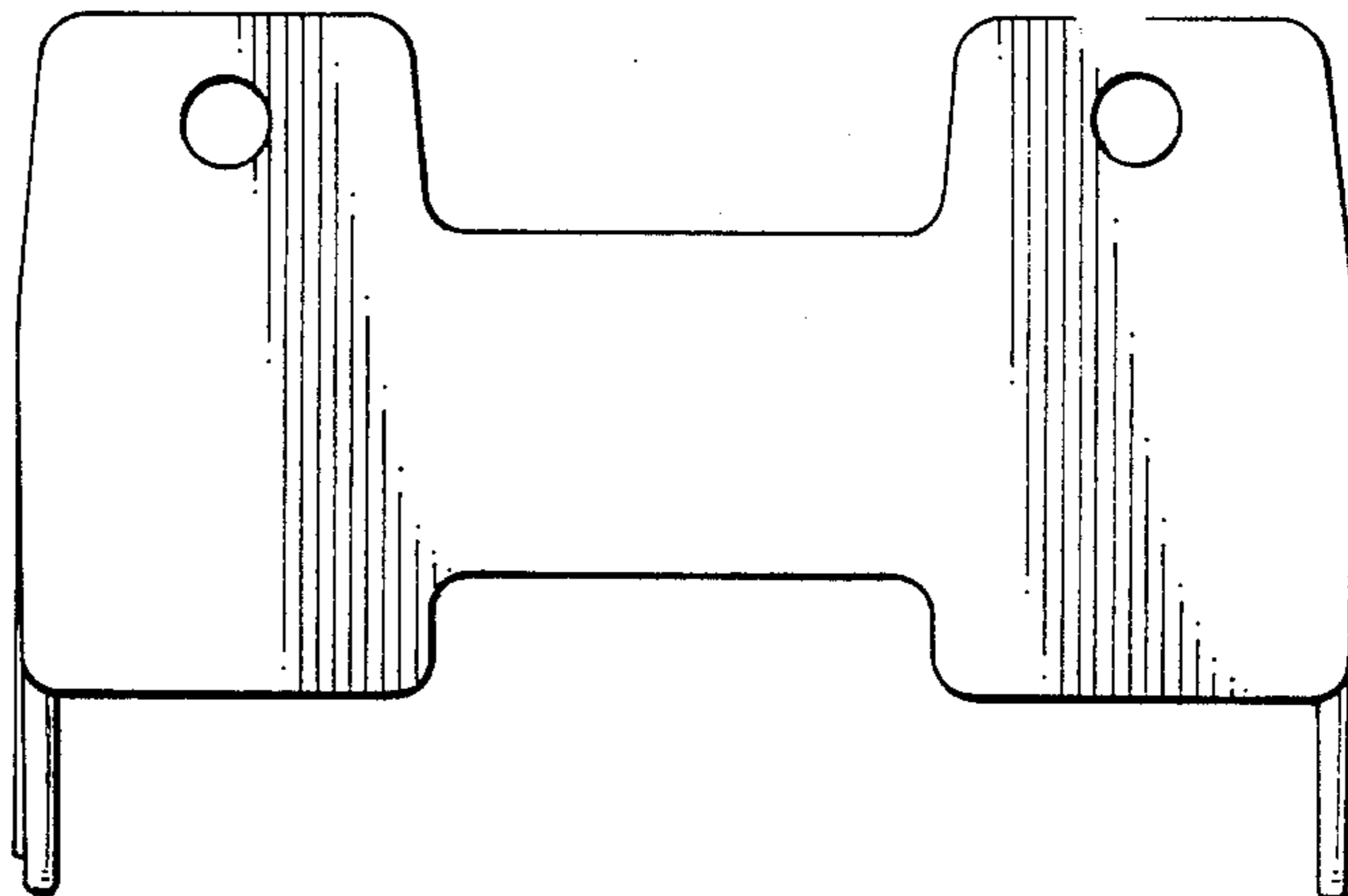
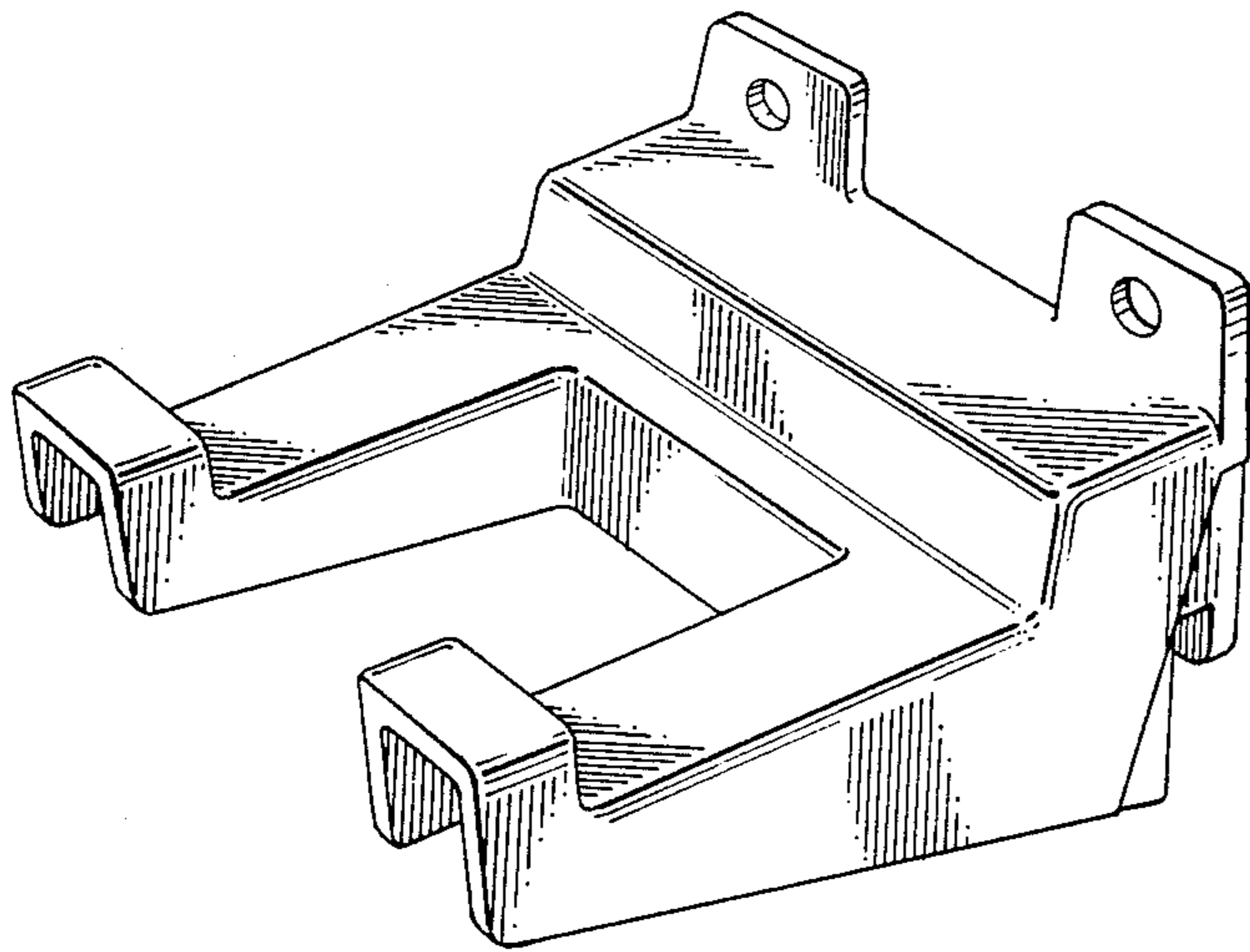
*Primary Examiner*—Horace B. Fay, Jr.  
*Attorney, Agent, or Firm*—Richard B. O'Planick

### [57] CLAIM

The ornamental design for a double hook, as shown and described.

### DESCRIPTION

FIG. 1 is a front perspective view of a double hook embodying our new design.  
FIG. 2 is a front elevational view thereof.  
FIG. 3 is a rear elevational view thereof.  
FIG. 4 is a side elevation view thereof. The side opposite to that depicted in FIG. 4 is identical in appearance.  
FIG. 5 is a top plan view thereof.  
FIG. 6 is a bottom plan view thereof.



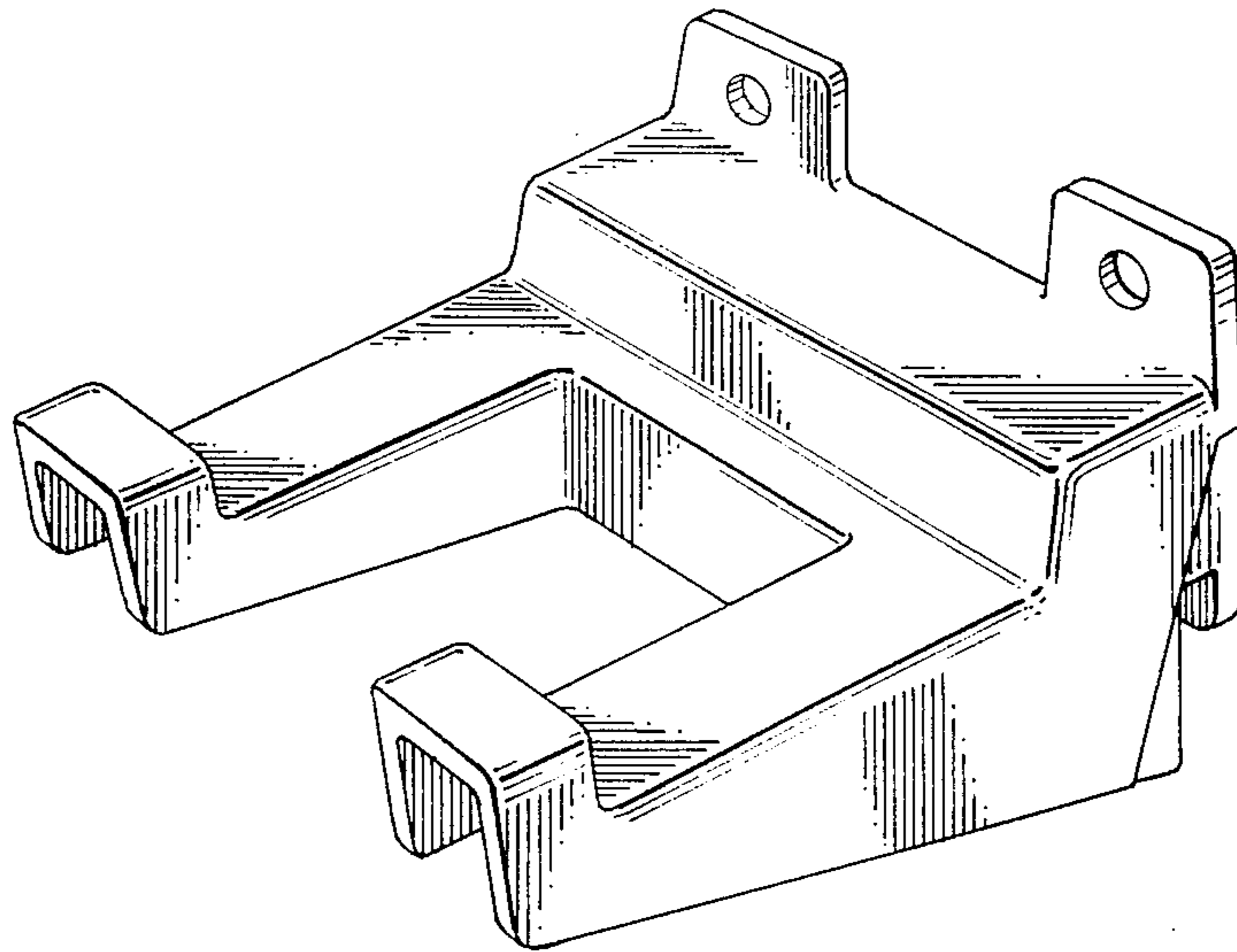


FIG. 1

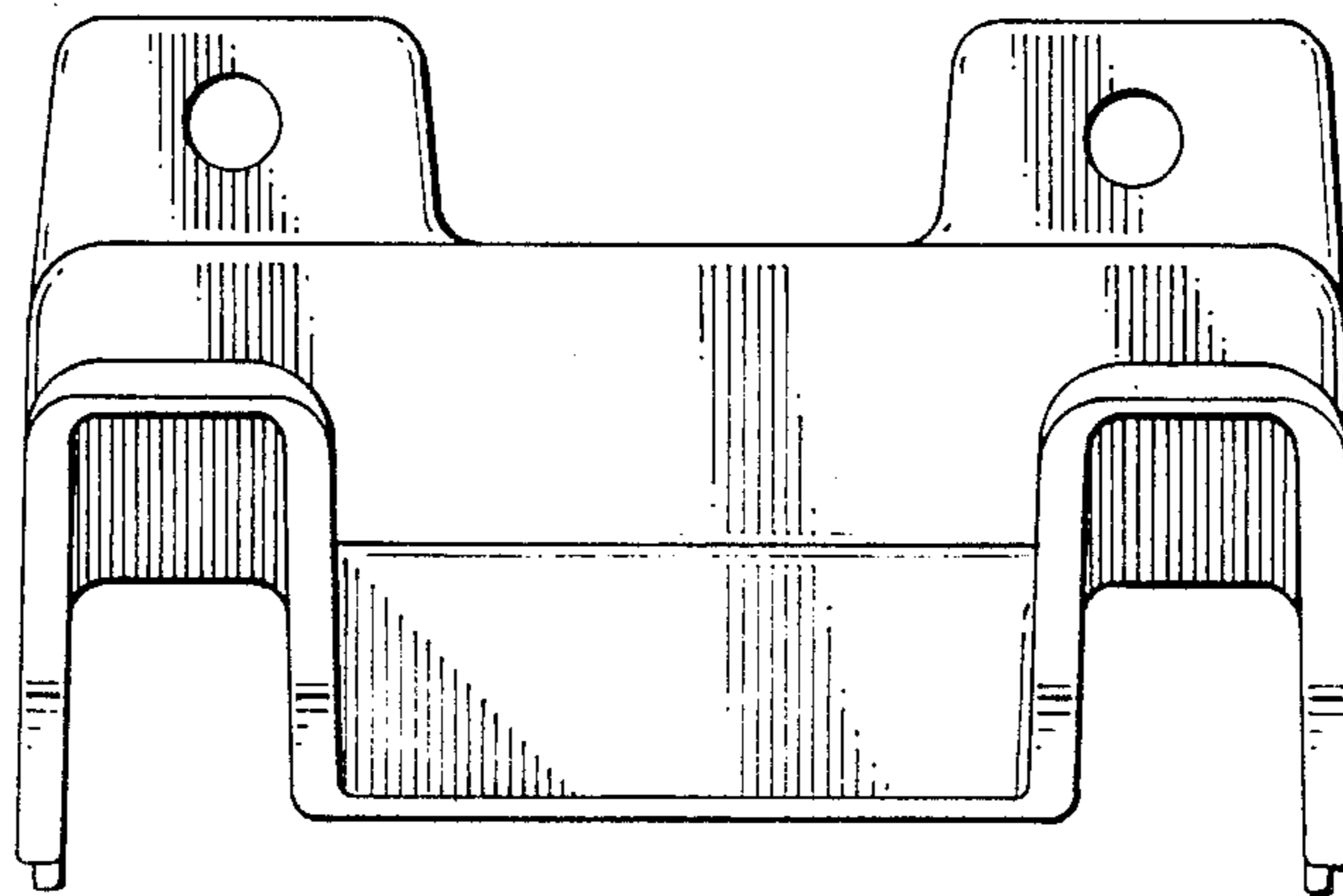


FIG. 2

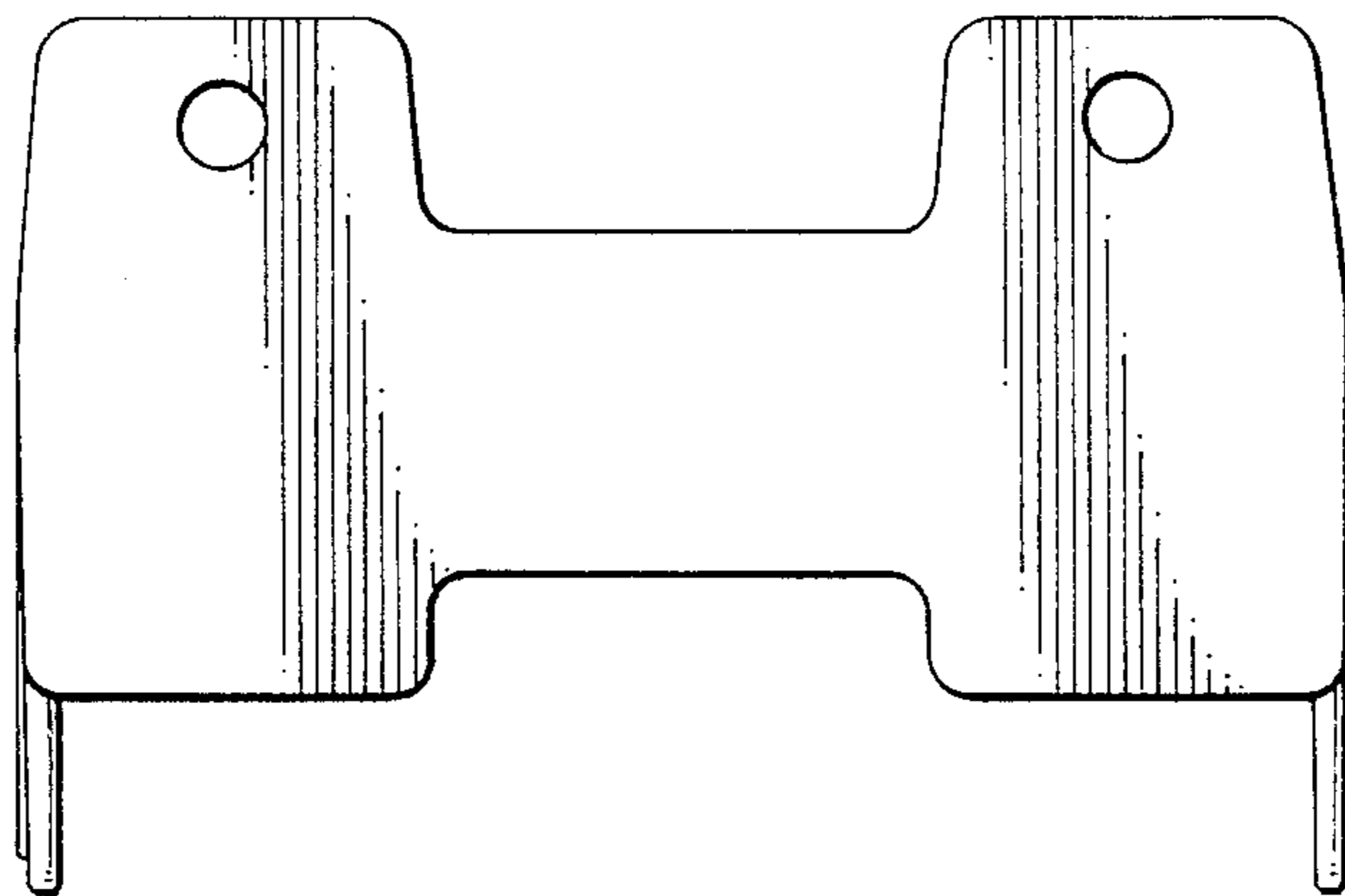


FIG. 3

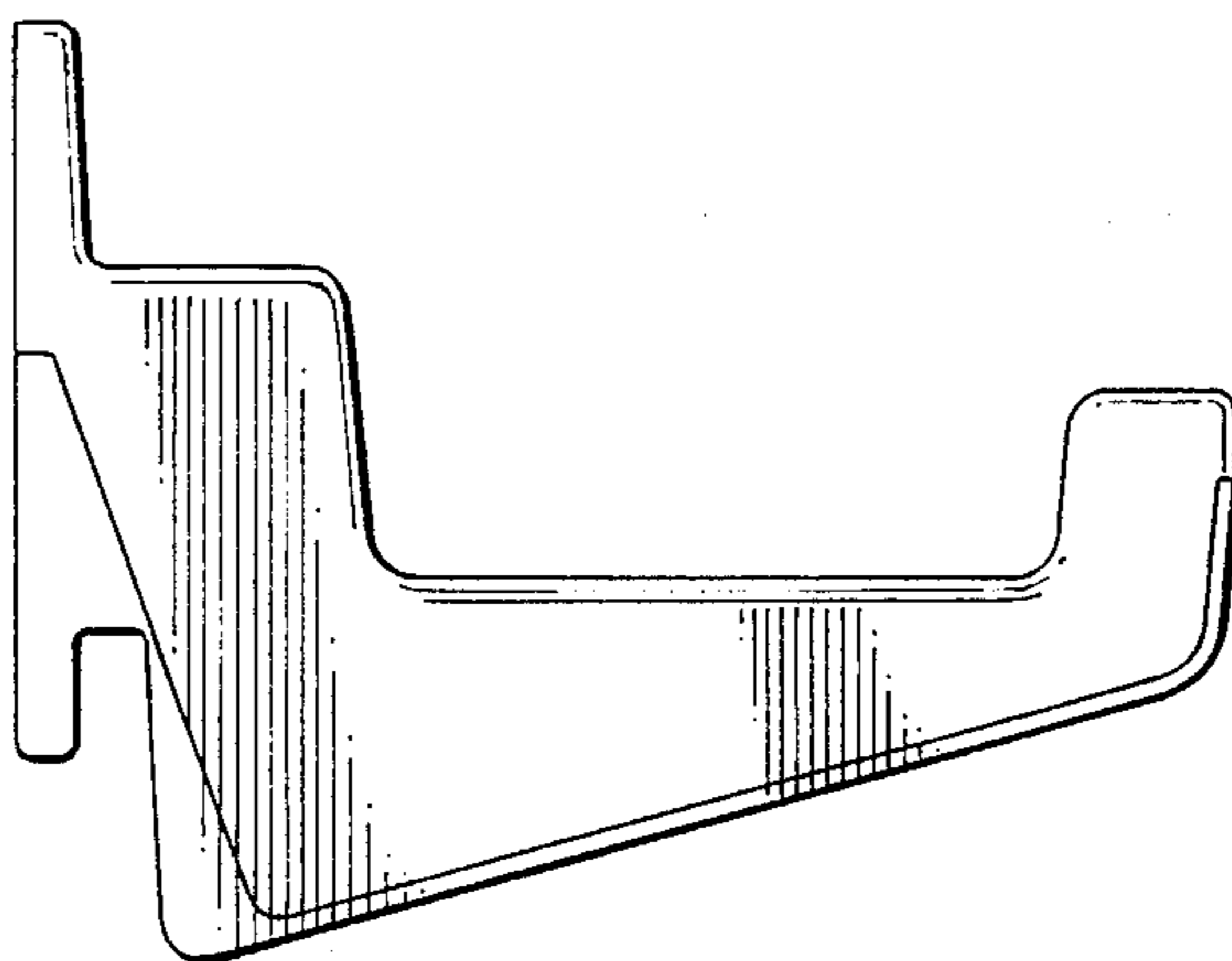


FIG. 4

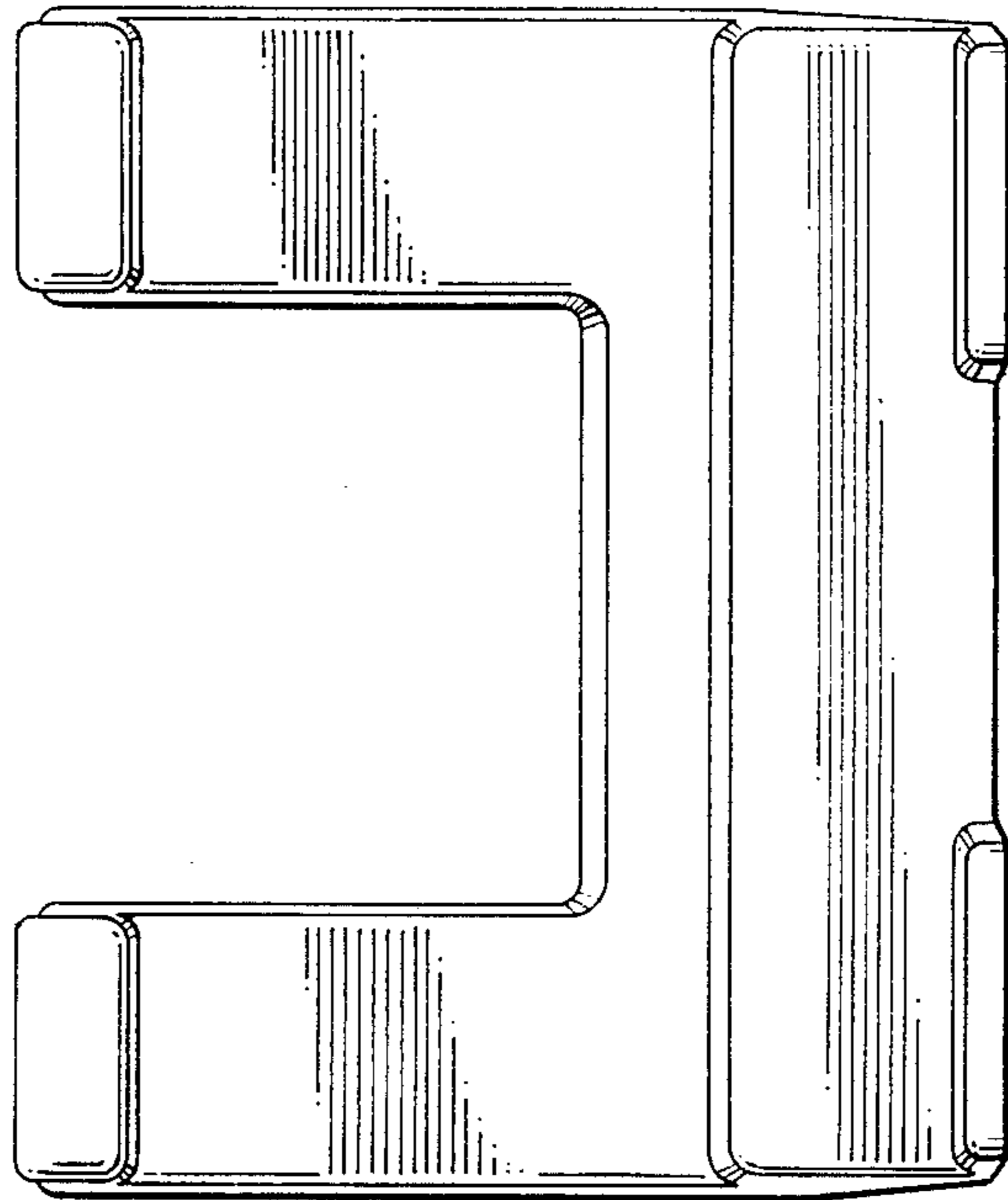


FIG. 5

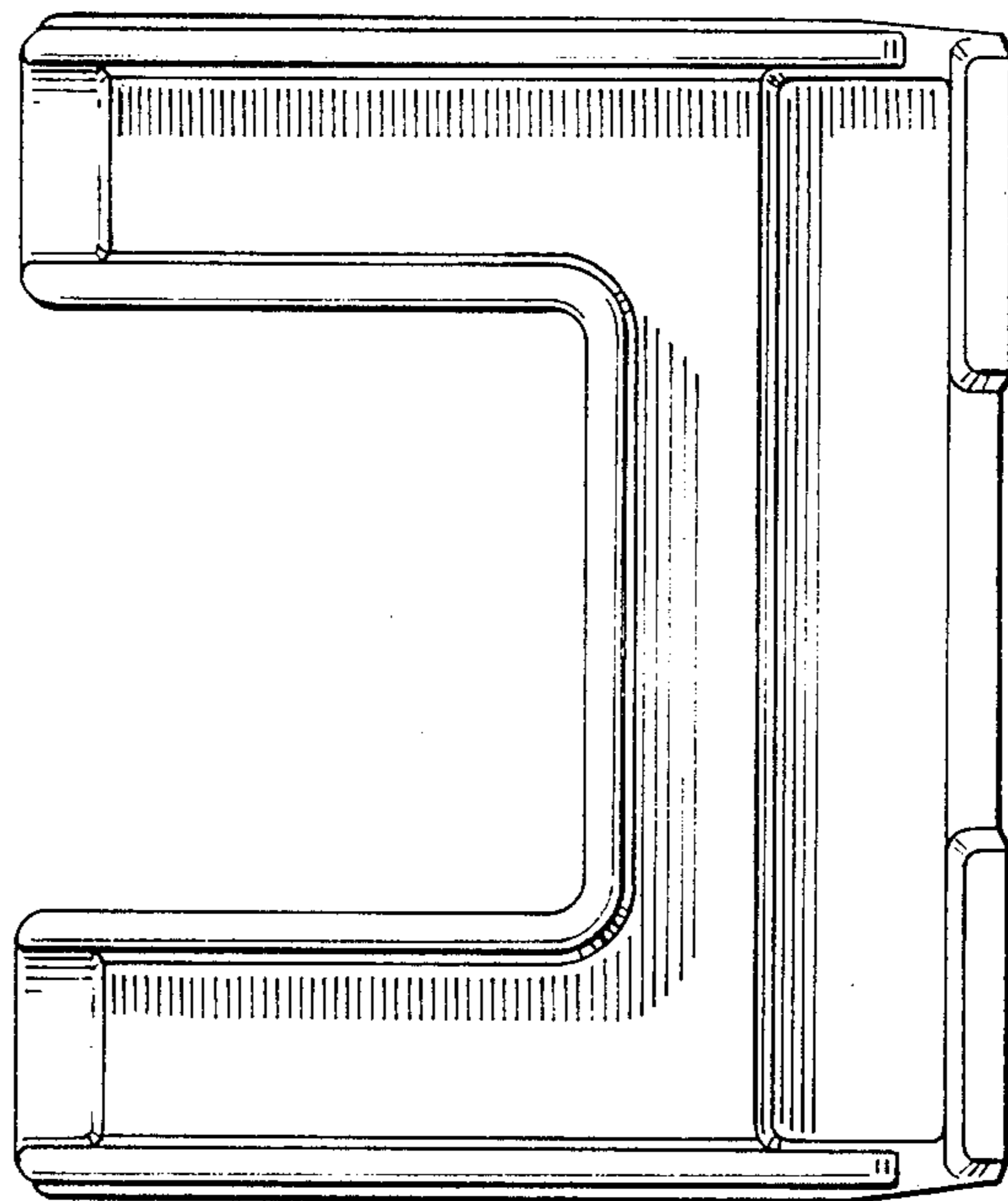


FIG. 6