

United States Patent [19]

Hamann

[11] Patent Number: **Des. 312,959**

[45] Date of Patent: **** Dec. 18, 1990**

[54] **CURVED PEG HOOK**

[75] Inventor: **David L. Hamann, Cincinnati, Ohio**

[73] Assignee: **Rubbermaid Incorporated, Wooster, Ohio**

[**] Term: **14 Years**

[21] Appl. No.: **213,159**

[22] Filed: **Jun. 29, 1988**

[52] U.S. Cl. **D8/367; D8/373;**
248/220.4

[58] Field of Search **D8/367, 373; 248/220.4,**
248/304, 224.4

[56] **References Cited**

U.S. PATENT DOCUMENTS

D. 234,283	2/1975	Rockleff et al.	D8/367 X
D. 294,113	2/1988	Smyth	D8/373
D. 300,301	3/1980	Furst et al.	D8/367 X
2,765,998	10/1956	Engert	248/205.3 X
3,640,497	2/1972	Waki	248/220.4

4,088,292	5/1978	Emminger	248/304 X
4,809,940	3/1989	Trestyn	248/220.4
4,889,304	12/1989	Glickman et al.	248/220.4 X

FOREIGN PATENT DOCUMENTS

184330	1/1950	Switzerland	248/220.4
--------	--------	-------------------	-----------

Primary Examiner—Horace B. Fay, Jr.

Attorney, Agent, or Firm—Richard B. O'Planick

[57] **CLAIM**

The ornamental design for a curved peg hook, as shown and described.

DESCRIPTION

FIG. 1 is a front perspective view of a curved peg hook embodying my new design.

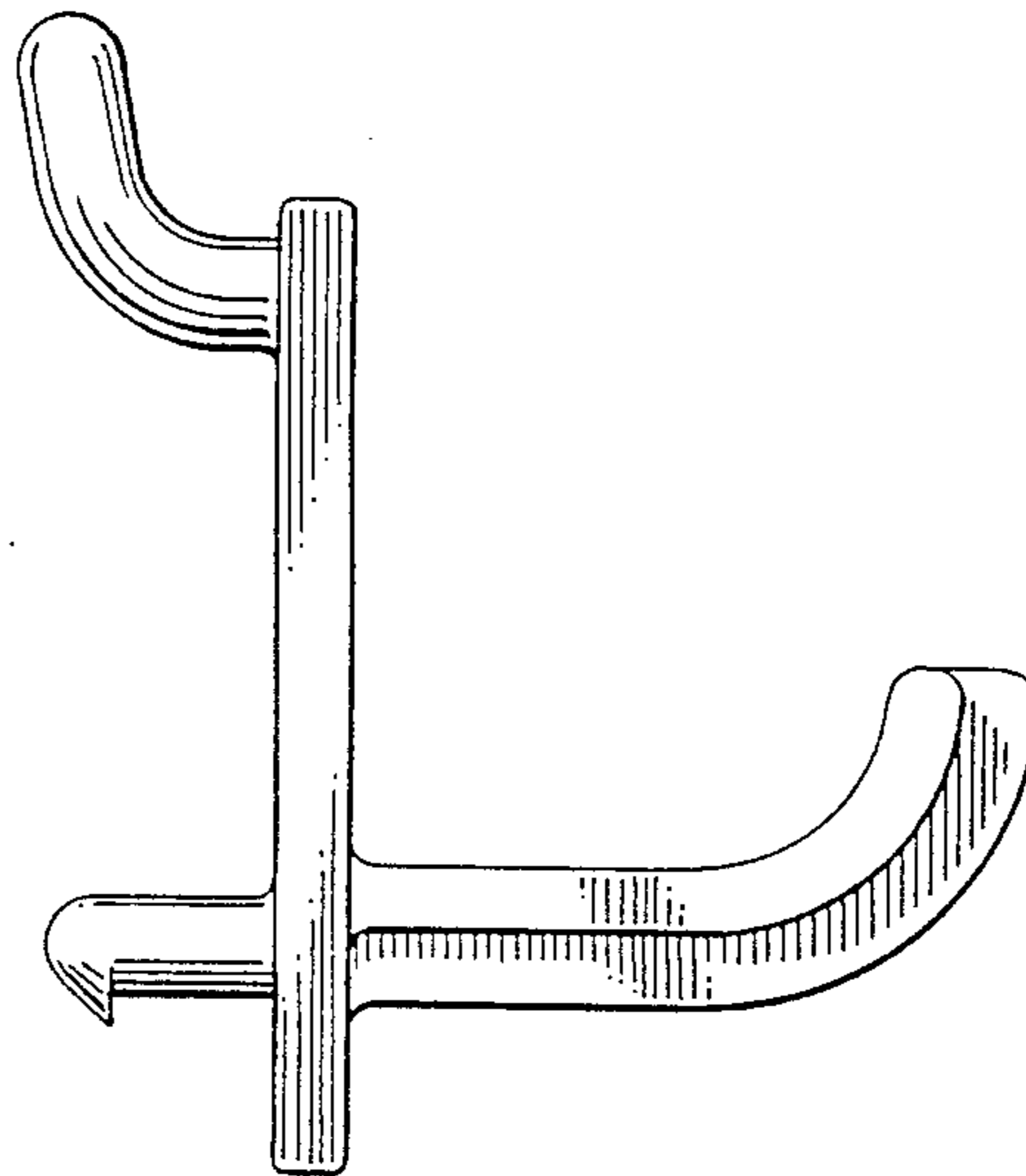
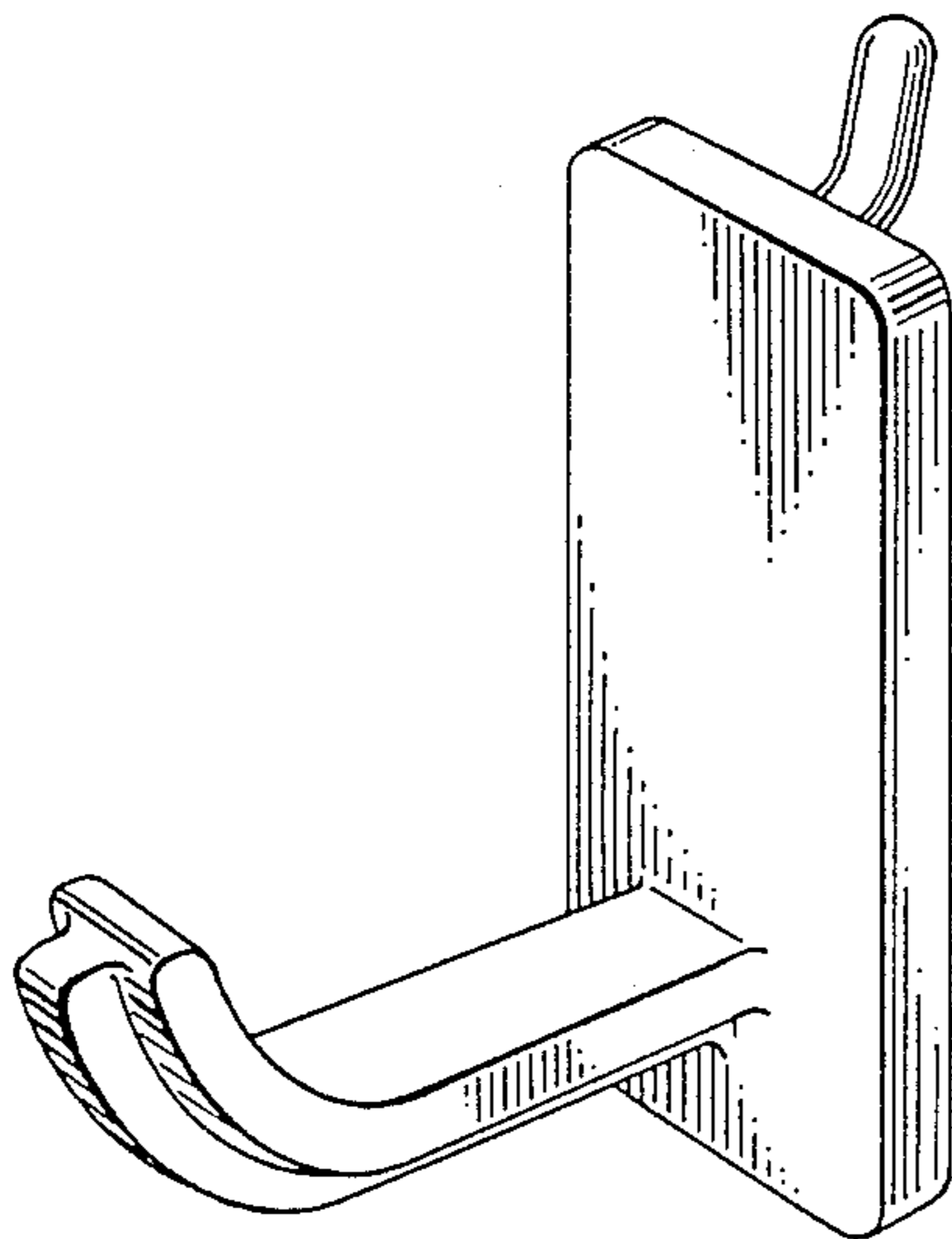
FIG. 2 is a front elevational view thereof.

FIG. 3 is a rear elevational view thereof.

FIG. 4 is a side elevational view thereof. The side opposite to that depicted in FIG. 4 is identical in appearance.

FIG. 5 is a top plan view thereof.

FIG. 6 is a bottom plan view thereof.



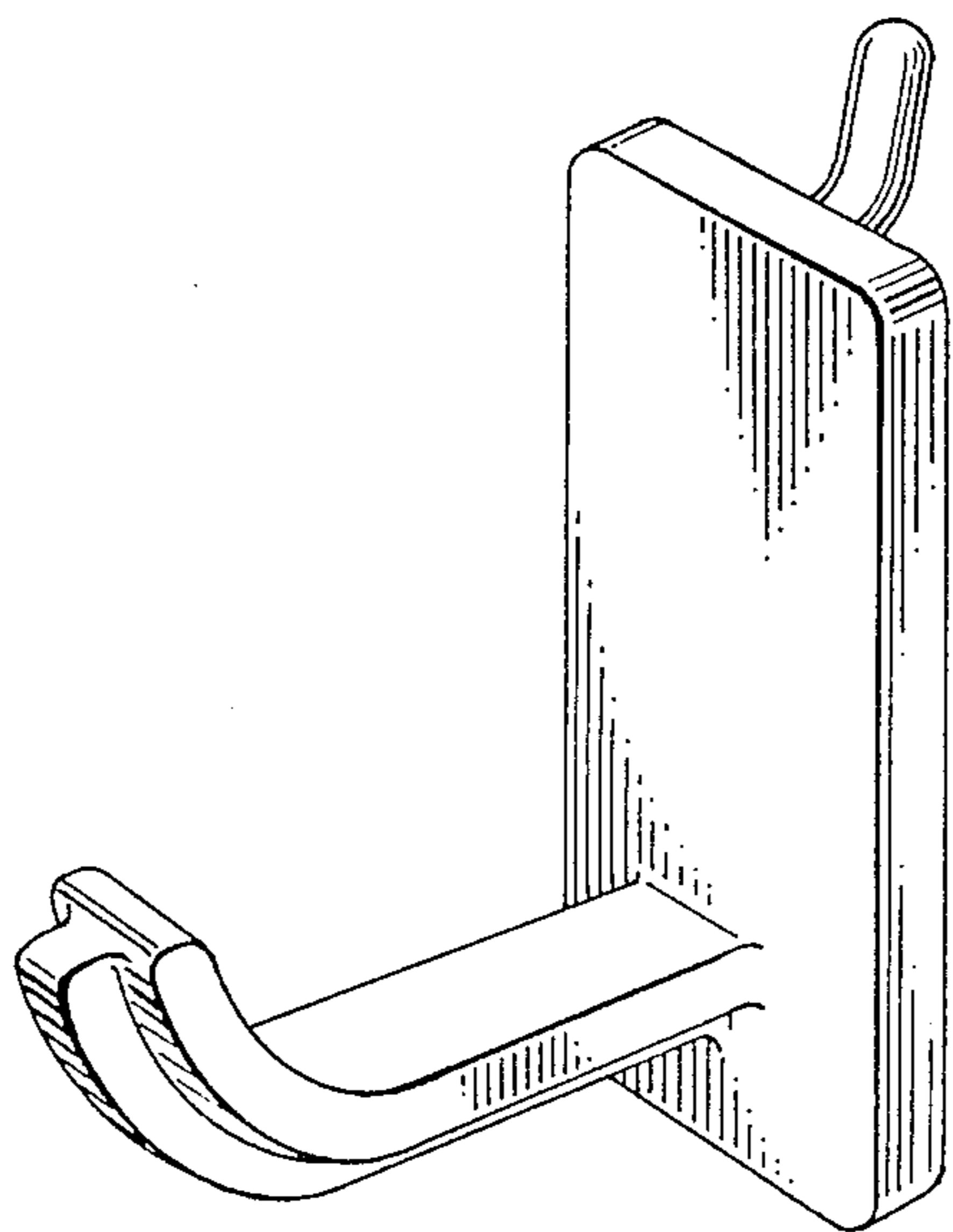


FIG. 1

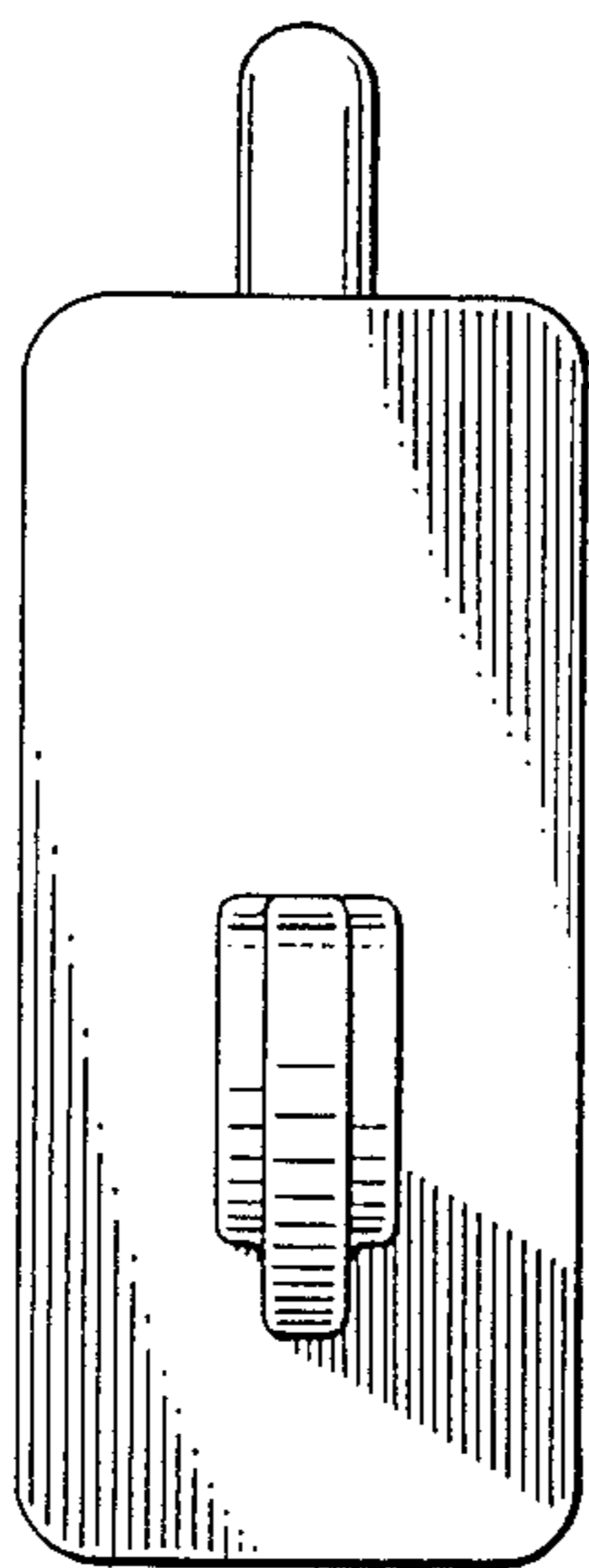


FIG. 2

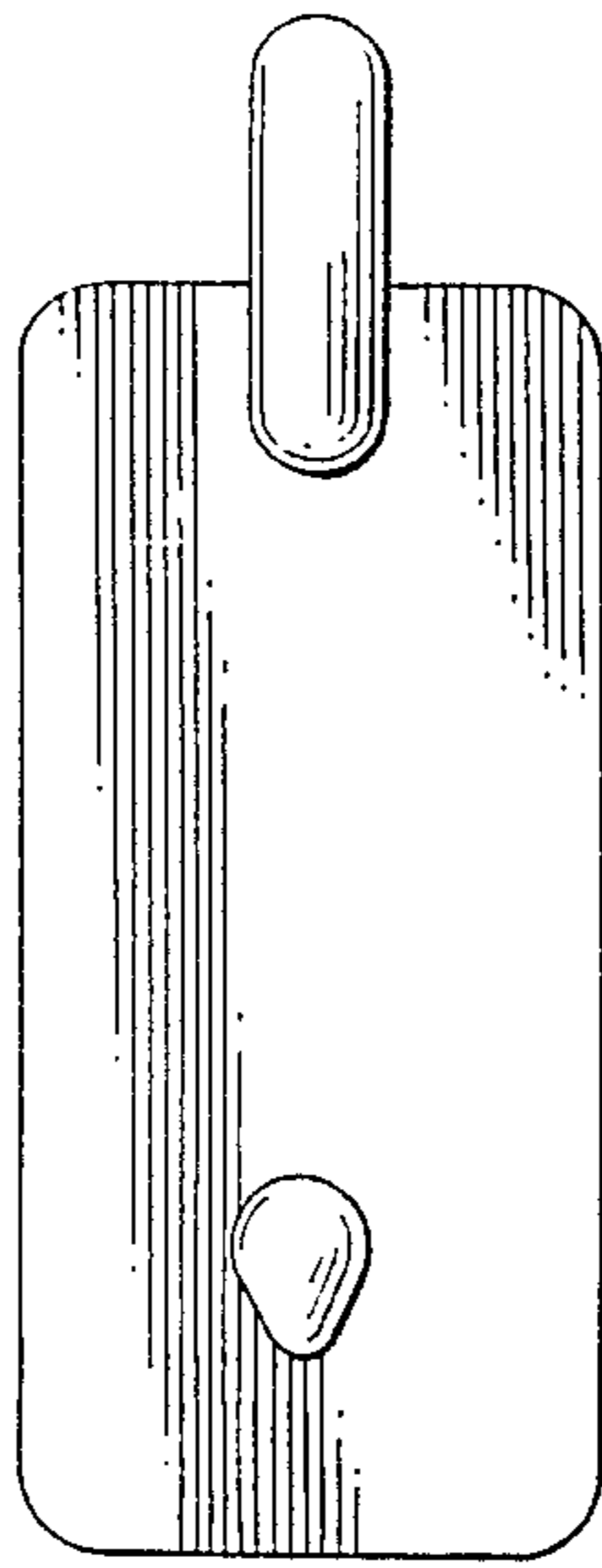


FIG. 3

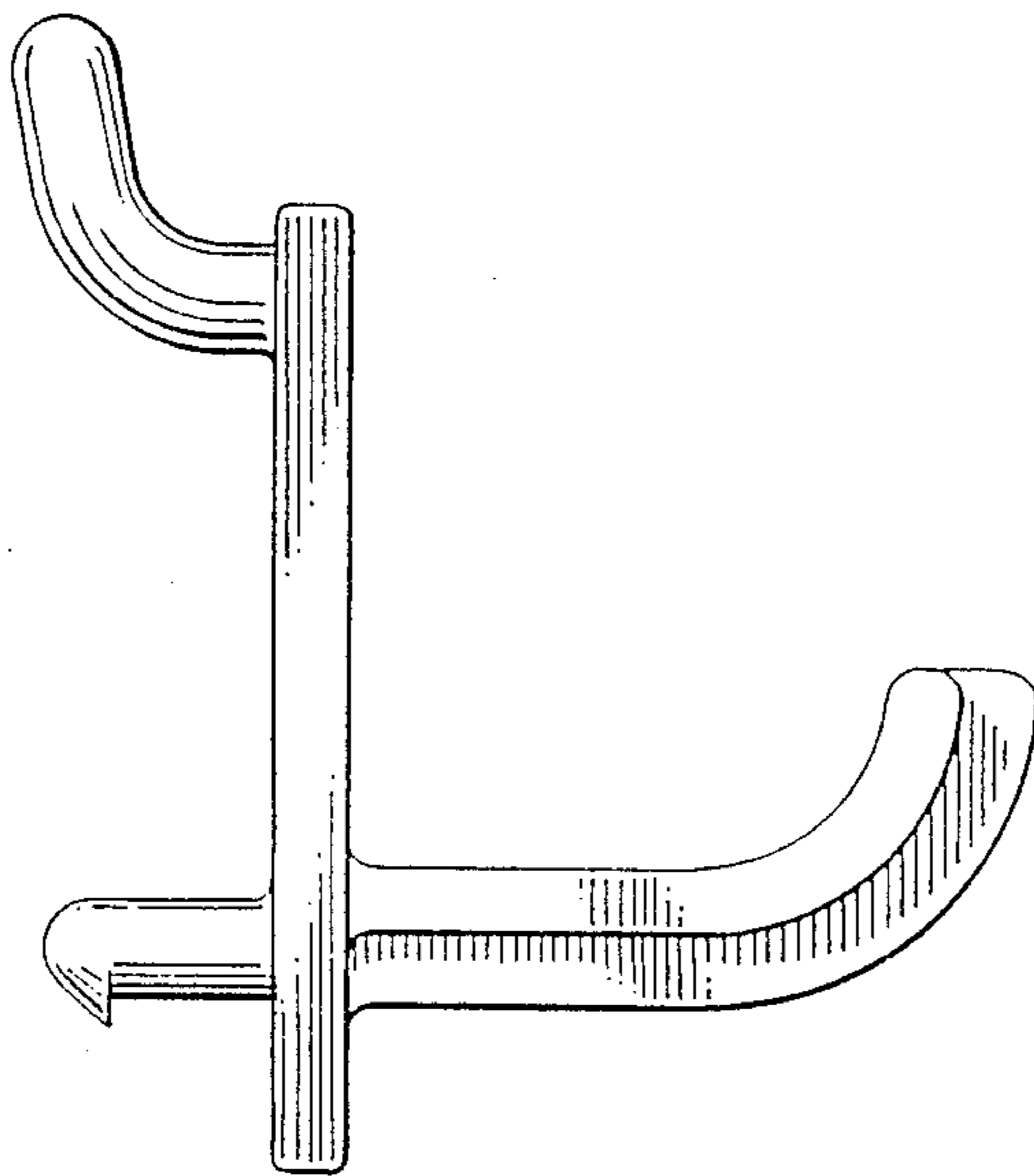


FIG. 4

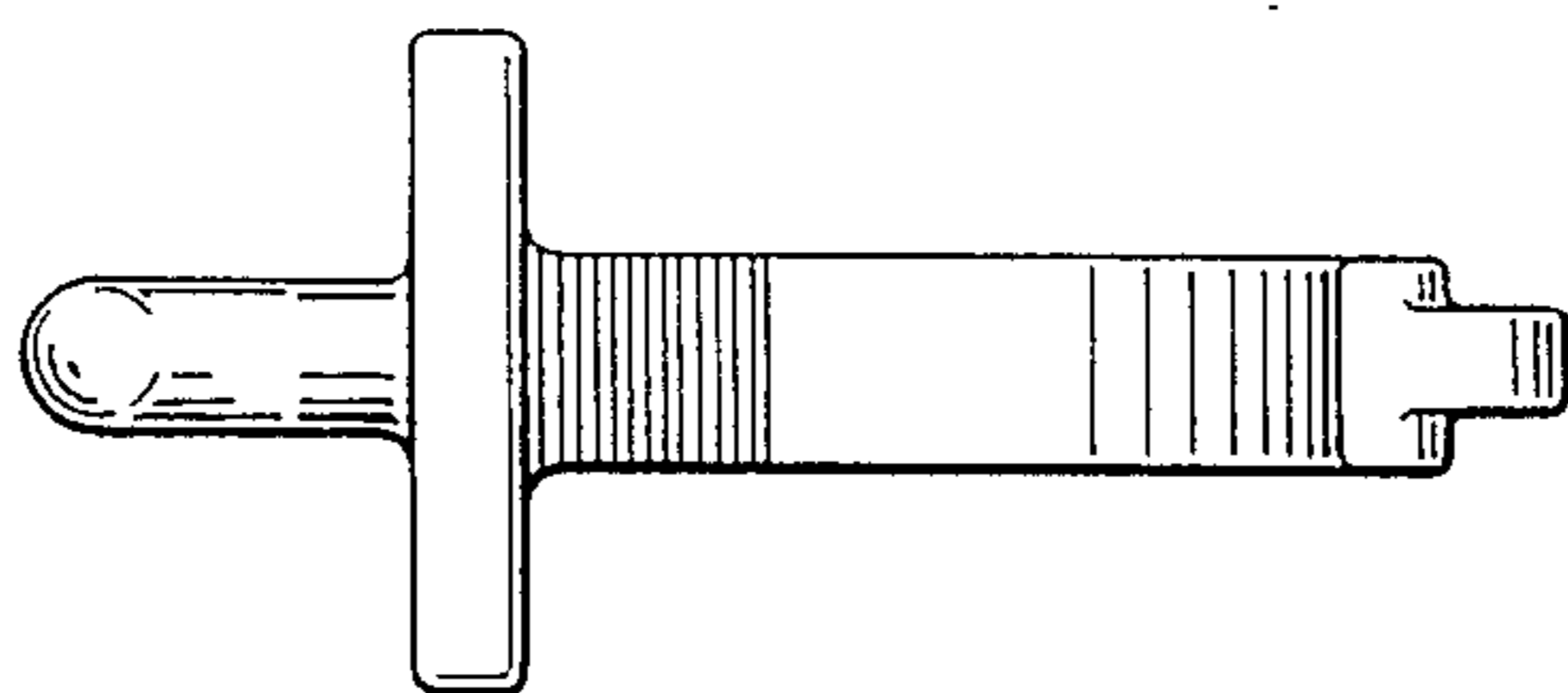


FIG. 5

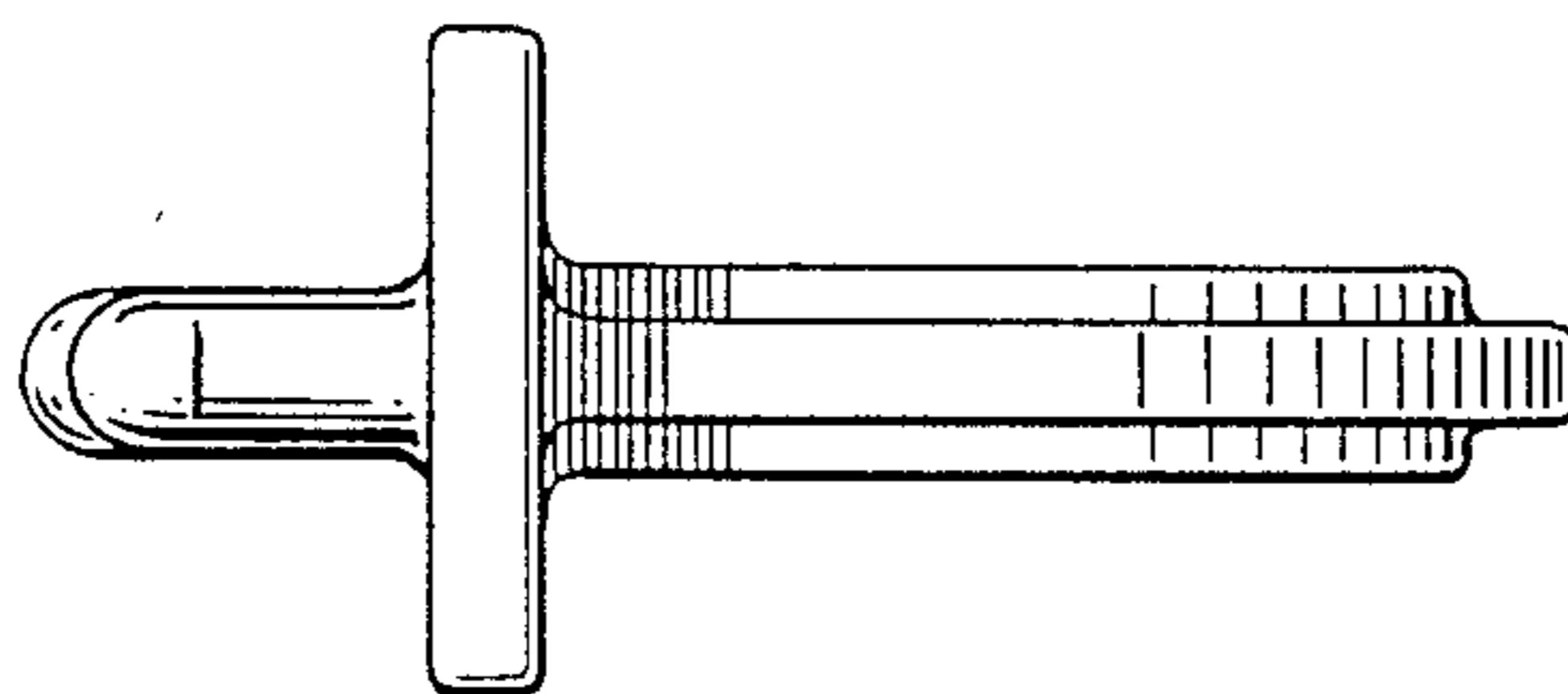


FIG. 6