

[54] LUNETTE TRAILER HITCH ANTI-THEFT DEVICE

[76] Inventor: Tito M. Aguilar, Jr., 8804 Moye Dr., El Paso, Tex. 79925

[**] Term: 14 Years

[21] Appl. No.: 231,247

[22] Filed: Aug. 12, 1988

[52] U.S. Cl. D8/346

[58] Field of Search D8/330-331, D8/343, 346; 70/14, 20, 51-52, 54-56, 32-34, 158, 232, 237, 258-259

[56] References Cited

U.S. PATENT DOCUMENTS

D. 272,515	2/1984	Wilson	D8/331
1,617,204	2/1927	Errecalde	70/34
3,844,143	10/1974	Hudson	70/34 X
4,186,575	2/1980	Bulle	70/34 X
4,325,237	4/1982	Menzie	70/258 X
4,376,544	3/1983	Sette et al.	70/14 X
4,380,160	4/1983	Hoffman	70/14

4,440,005	4/1984	Bulle	70/34 X
4,541,256	9/1985	Green	70/232

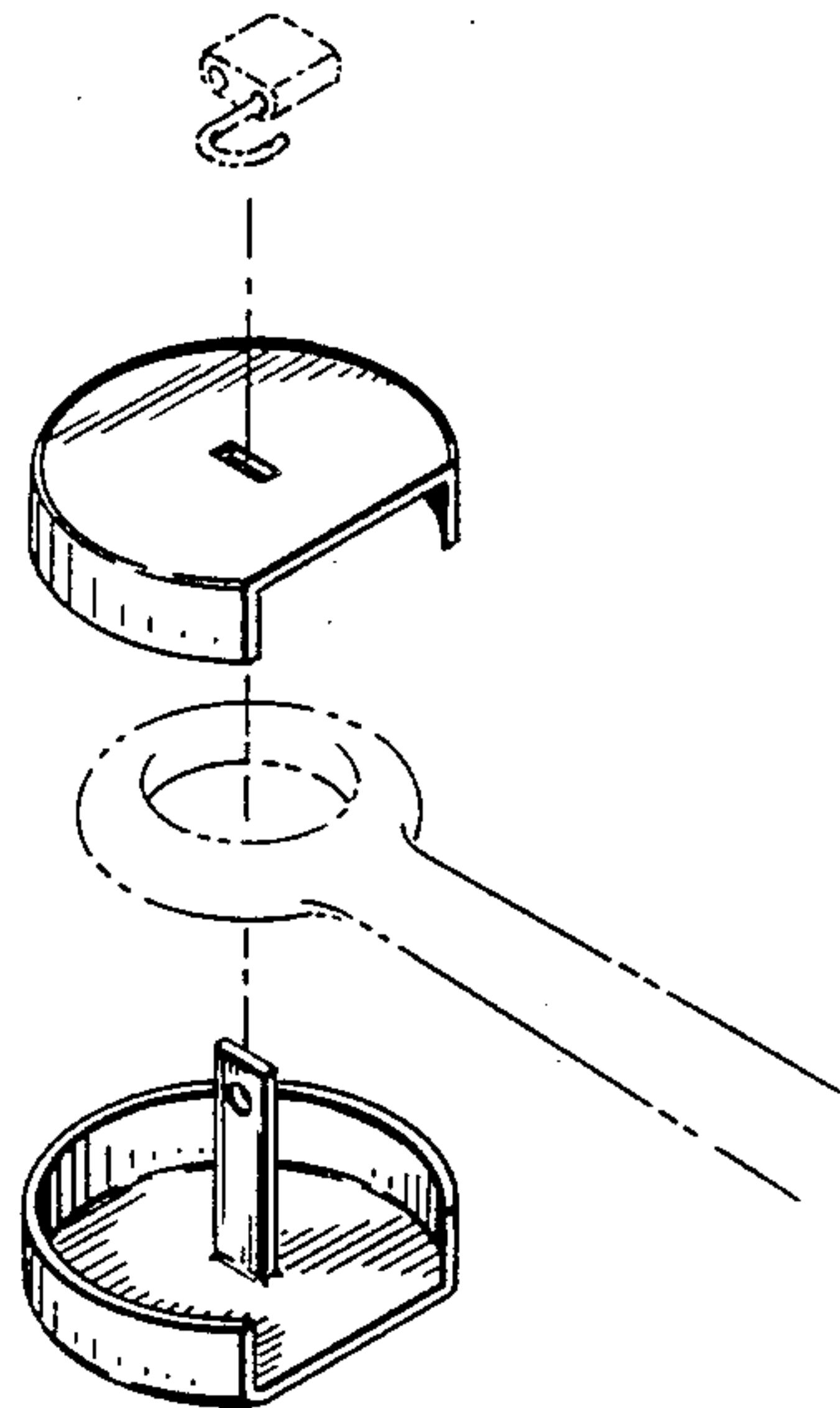
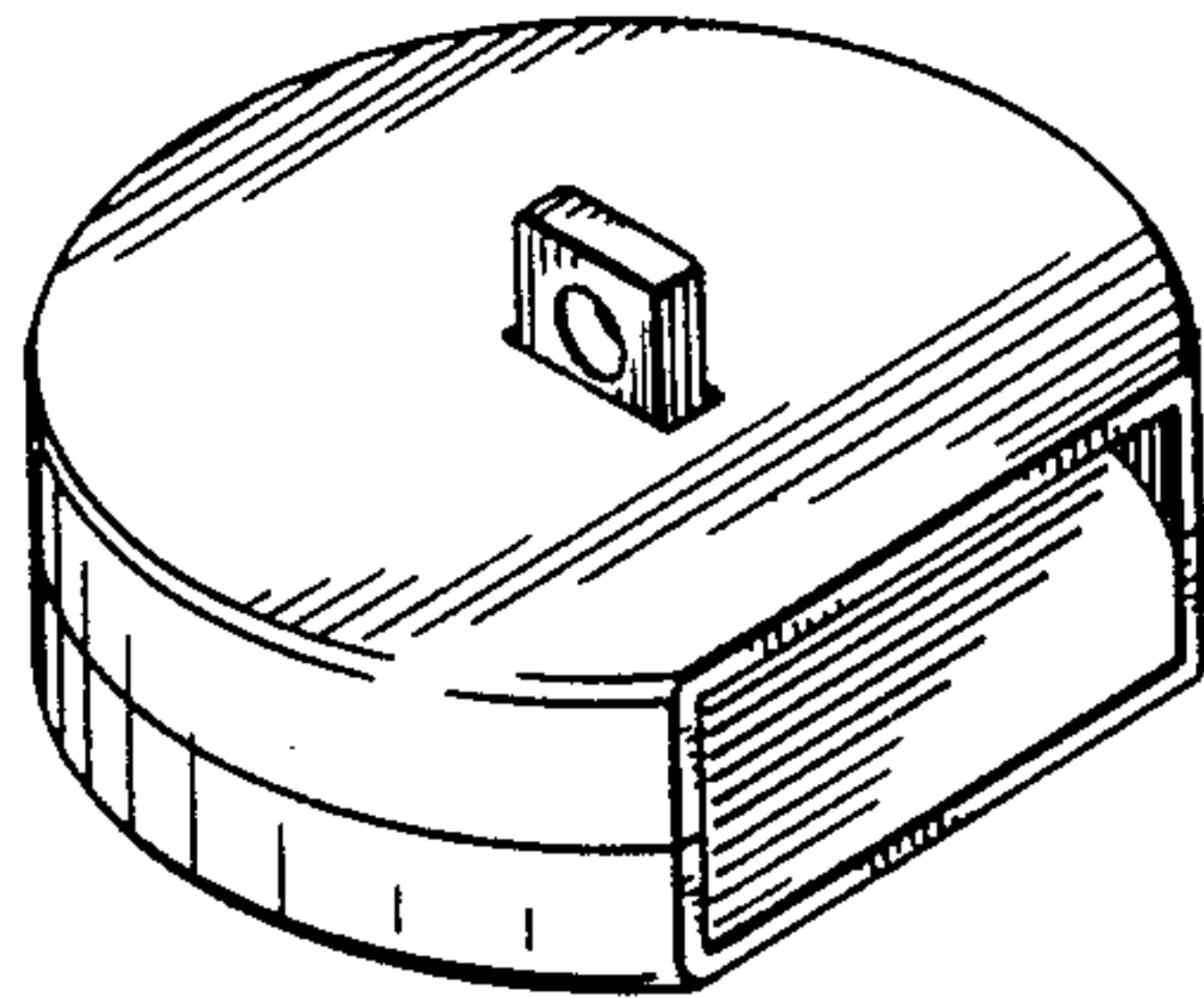
Primary Examiner—Wallace R. Burke
Assistant Examiner—Brian N. Vinson
Attorney, Agent, or Firm—Richards, Medlock & Andrews

[57] CLAIM

The ornamental design for a lunette trailer hitch anti-theft device, as shown and described.

DESCRIPTION

FIG. 1 is a perspective view of a anti-theft device showing my new design;
FIG. 2 is a top plan view thereof;
FIG. 3 is a rear elevational view thereof;
FIG. 4 is a front elevational view thereof;
FIG. 5 is a right side elevational view thereof;
FIG. 6 is a bottom plan view thereof;
FIG. 7 is a left side elevational view thereof; and
FIG. 8 is a reduced, exploded perspective view thereof, the broken-line depiction of the trailer hitch and padlock being for illustrative purposes only and forming no part of the claimed design.



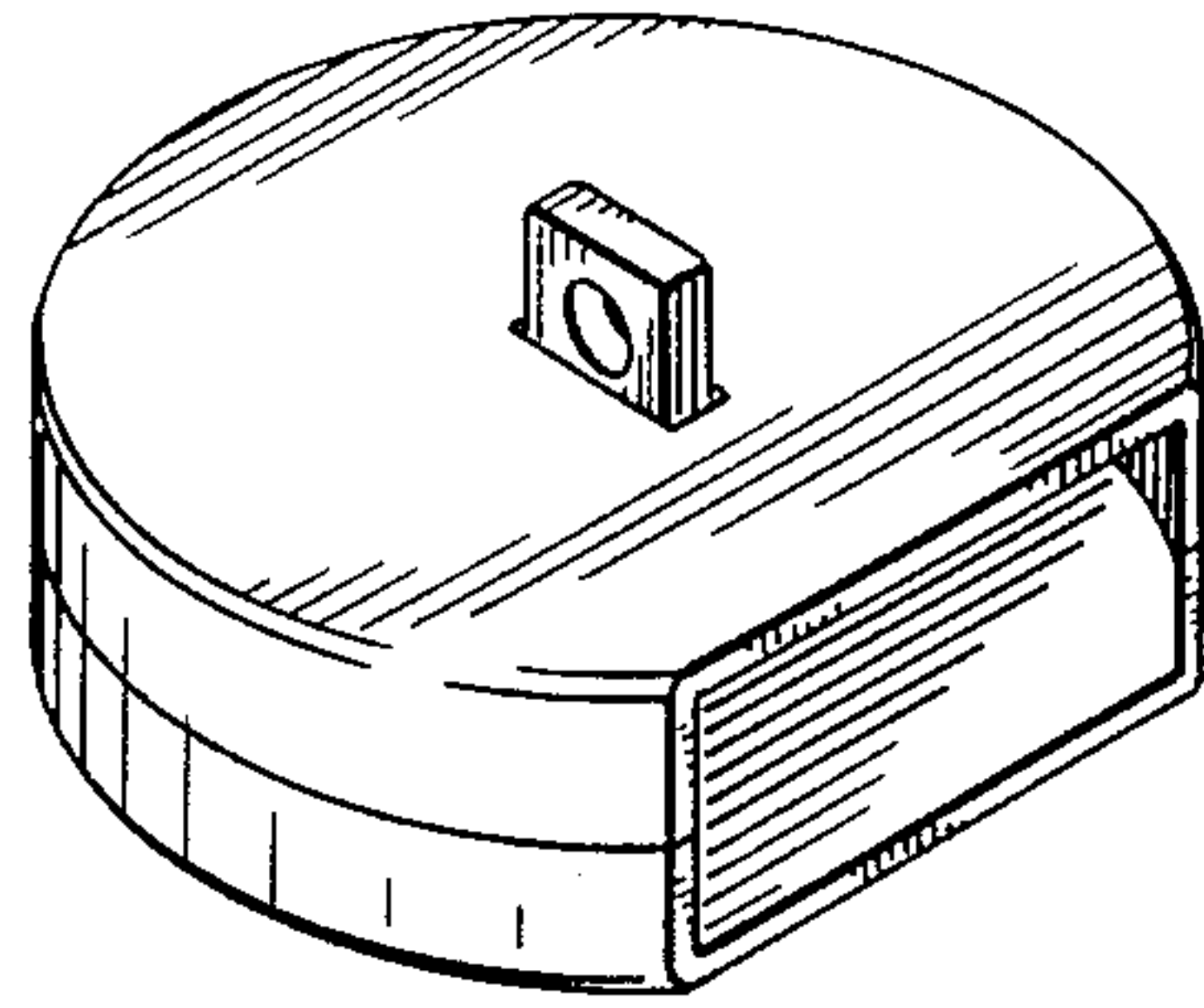


FIG. 1

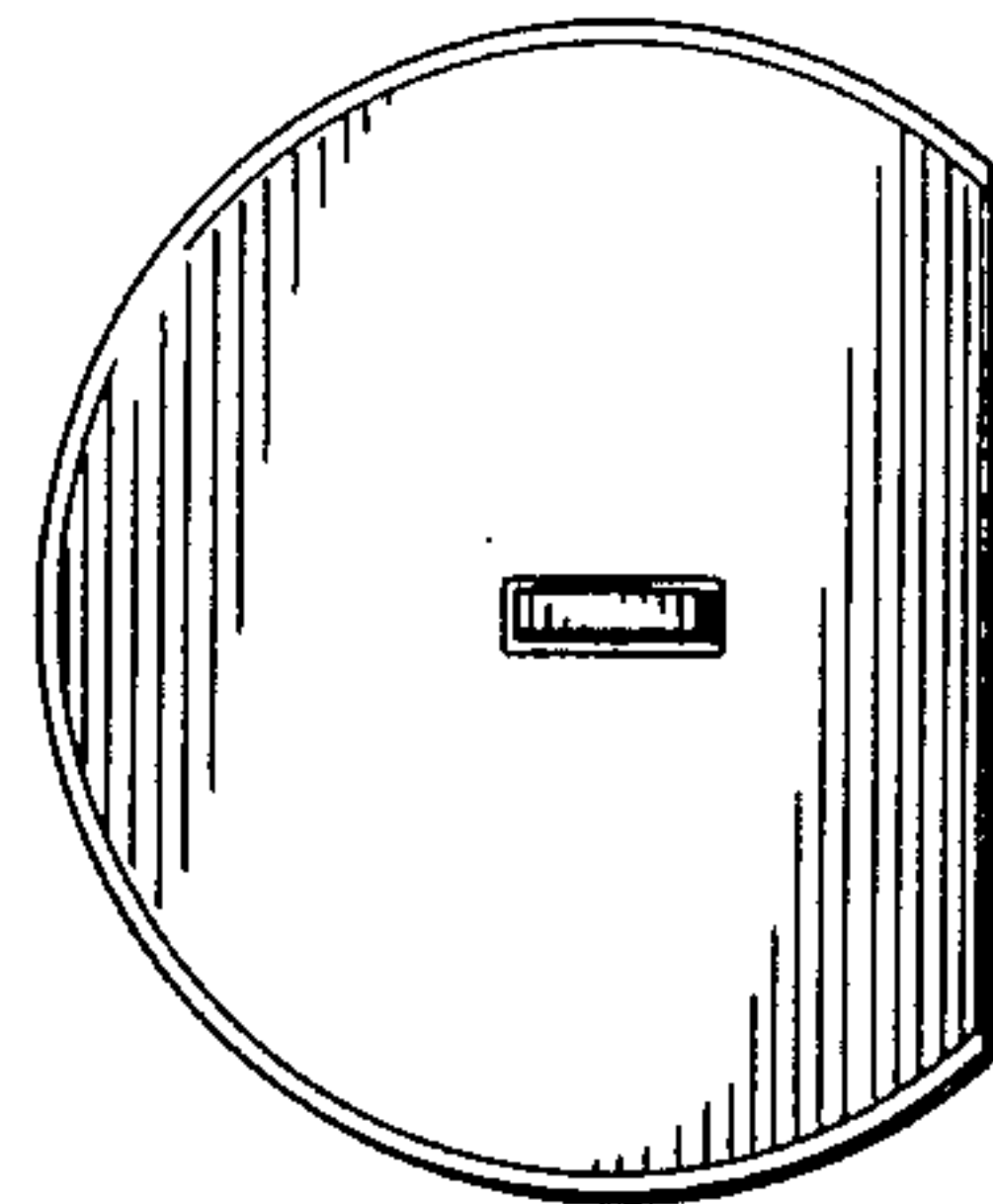


FIG. 2

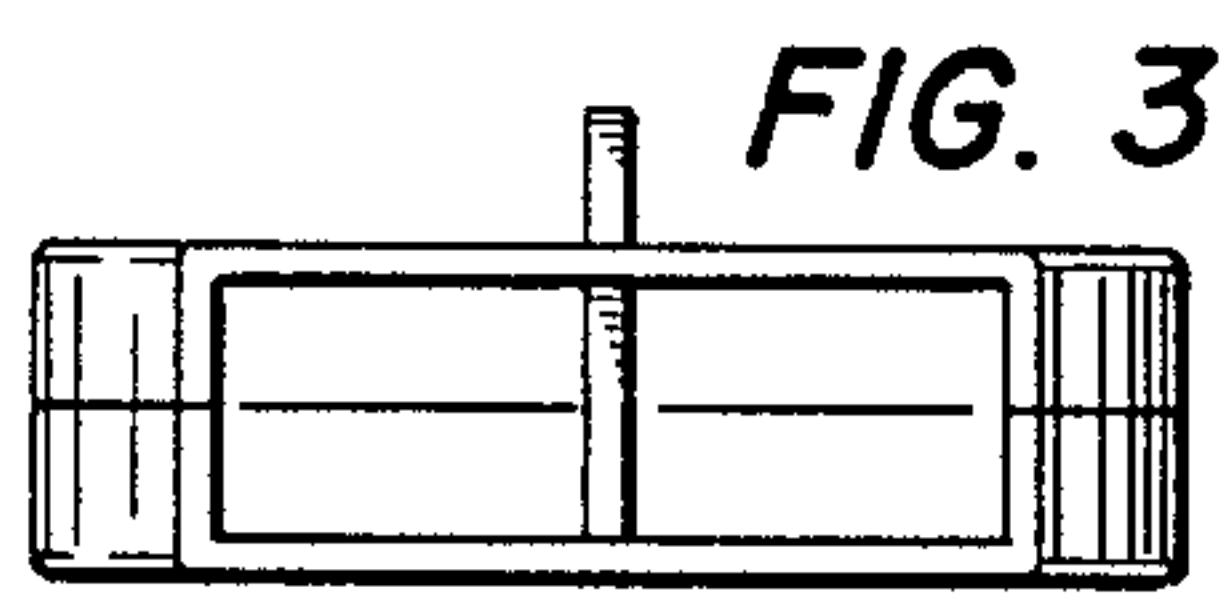


FIG. 3

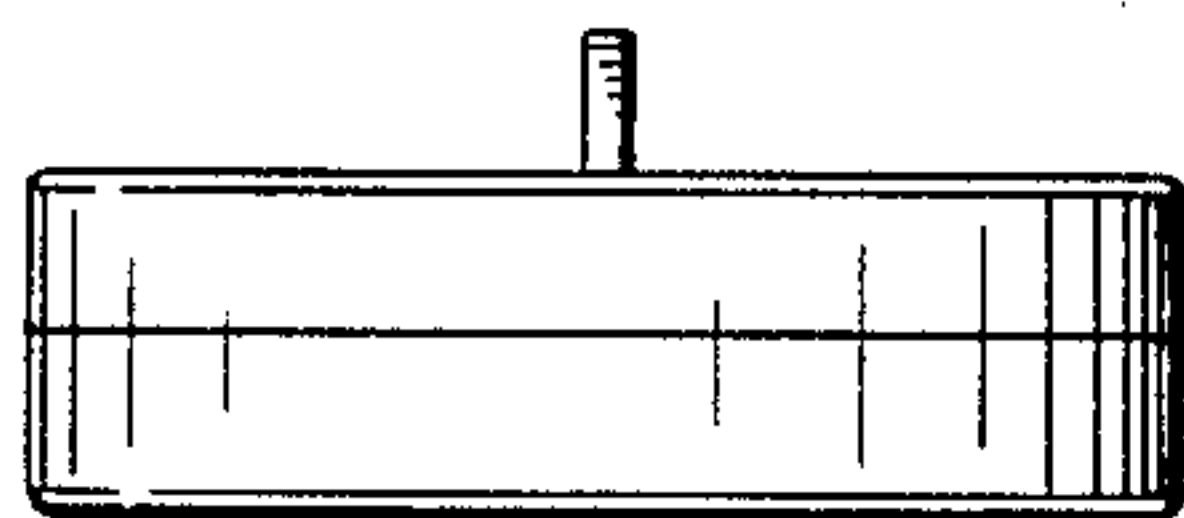


FIG. 4

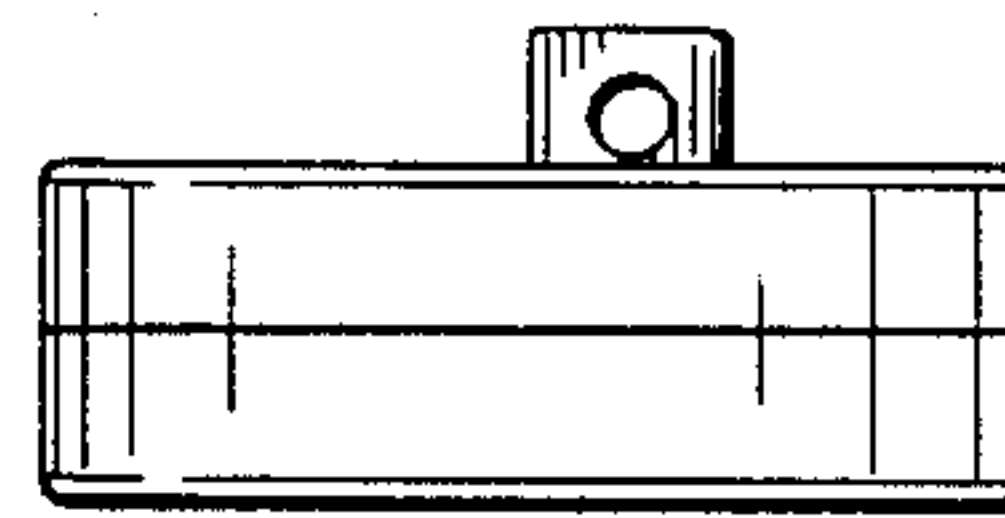


FIG. 5

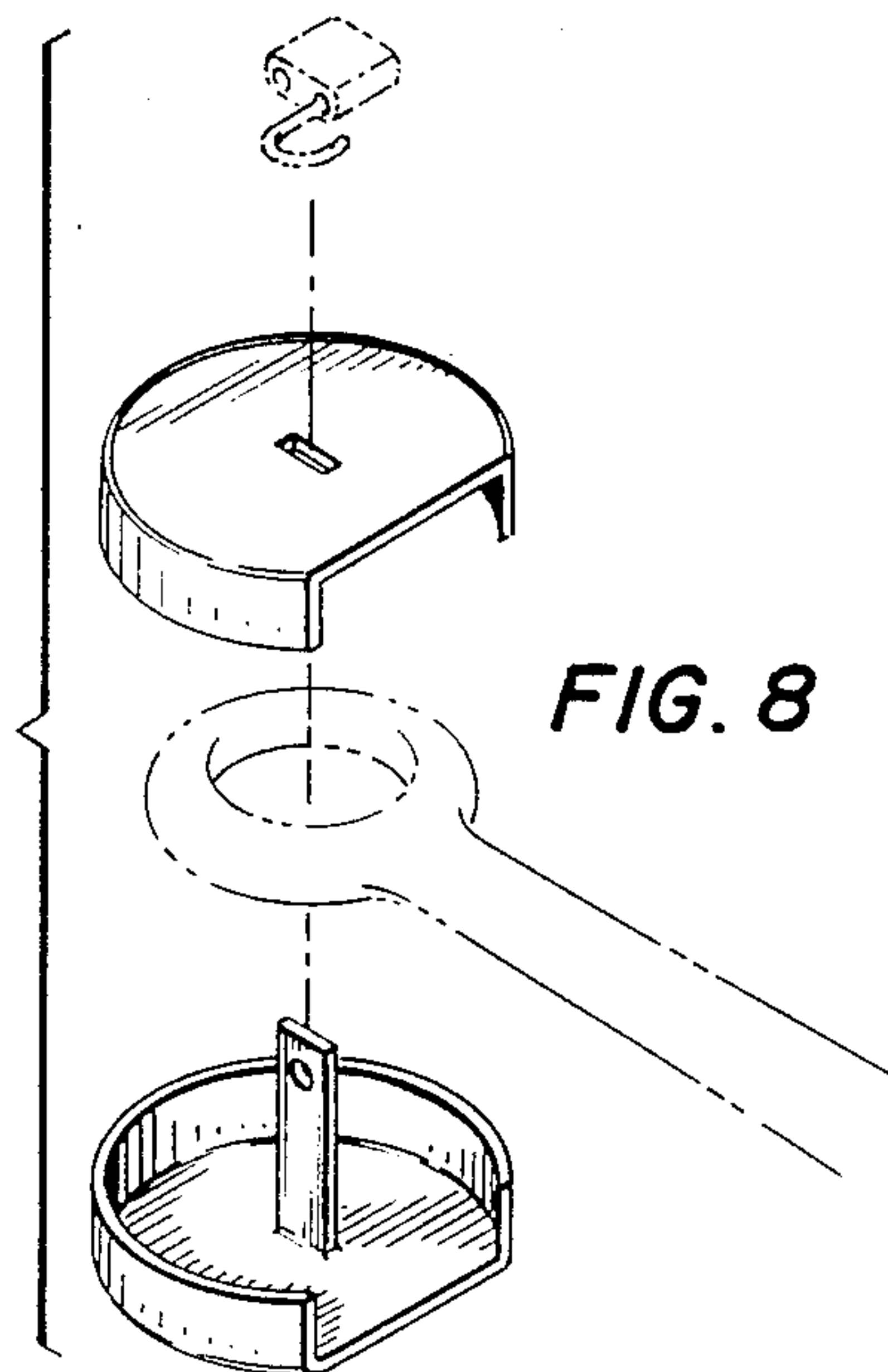


FIG. 8

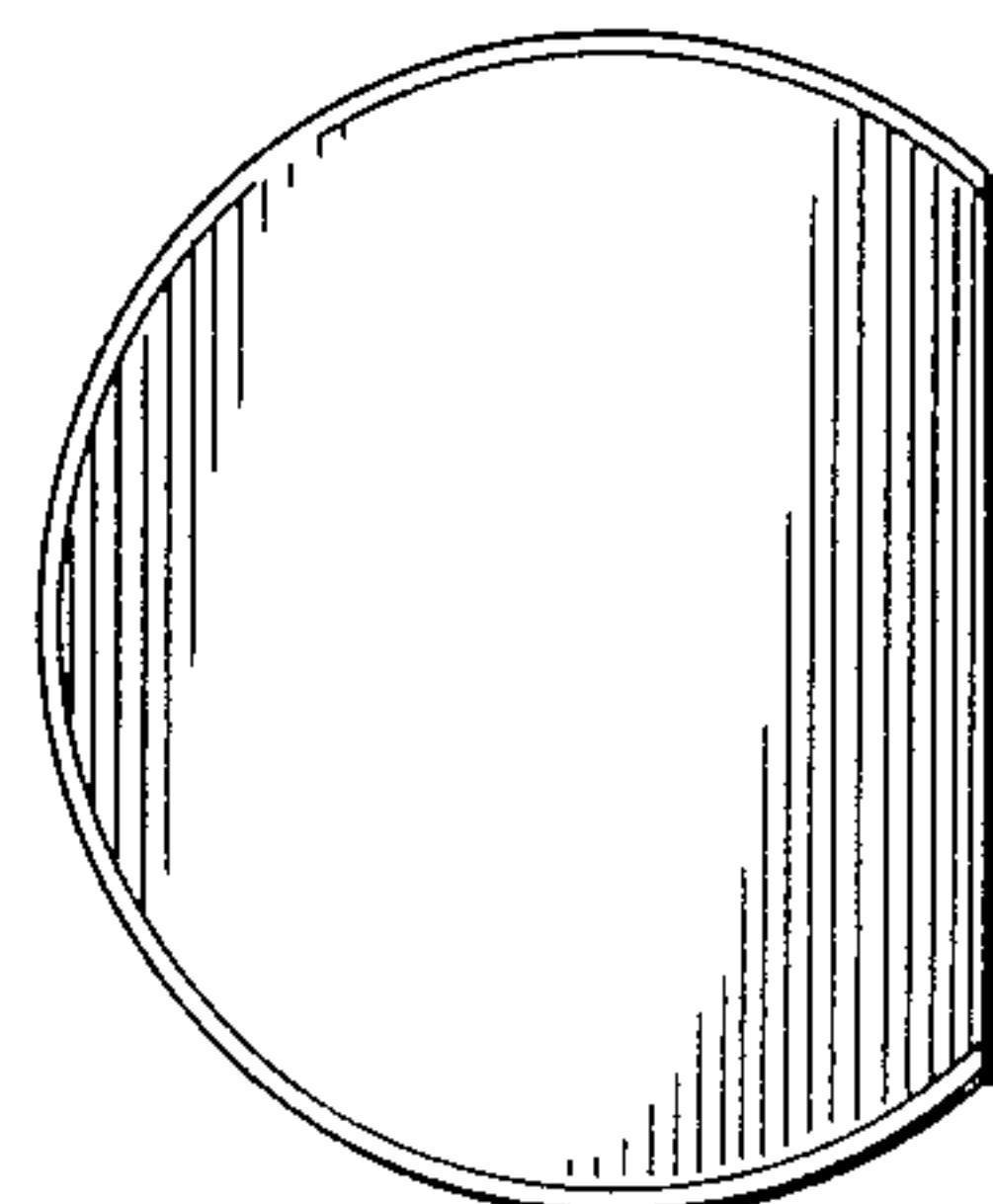


FIG. 6

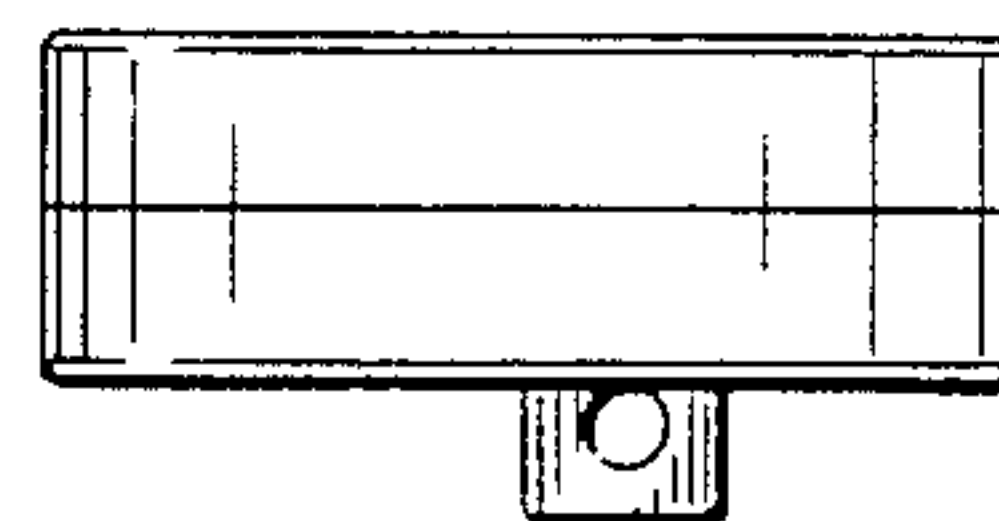


FIG. 7