

[54] **DOOR LOCK HAVING A CODE-SETTING DIAL**

3,187,528 6/1965 Check ..... 70/288  
4,637,237 1/1987 Witkoski et al. .... 70/285

[76] **Inventor:** Yar-Shing Huang, No. 11-3, Lane 132, Jin An Rd., Chungo City, Taipei Hsien, Taiwan

*Primary Examiner*—Wallace D. Burke  
*Assistant Examiner*—Brian N. Vinson  
*Attorney, Agent, or Firm*—Browdy & Neimark

[\*\*] **Term:** 14 Years

[57] **CLAIM**

[21] **Appl. No.:** 249,007

The ornamental design for a door lock having a code-setting dial, as shown and described.

[22] **Filed:** Sep. 23, 1988

[52] **U.S. Cl.** ..... D8/341; D8/331

[58] **Field of Search** ..... D8/330-331, D8/339, 341; 70/91, 101-102, 104, 106-107, 158, 153, 277-279, 288-289, 285

**DESCRIPTION**

FIG. 1 is a front elevational view of a door lock having a code setting dial showing my new design; FIG. 2 is a rear elevational view thereof; FIG. 3 is a left side elevational view thereof; FIG. 4 is a right side elevational view thereof; FIG. 5 is a top plan view thereof; FIG. 6 is a bottom plan view thereof; and FIG. 7 is a top, front, and left side perspective view thereof.

[56] **References Cited**

**U.S. PATENT DOCUMENTS**

D. 290,442 6/1987 Floyd et al. .... D8/330  
D. 305,861 2/1990 Kautt ..... D8/330  
2,772,555 12/1956 Smith ..... 70/153

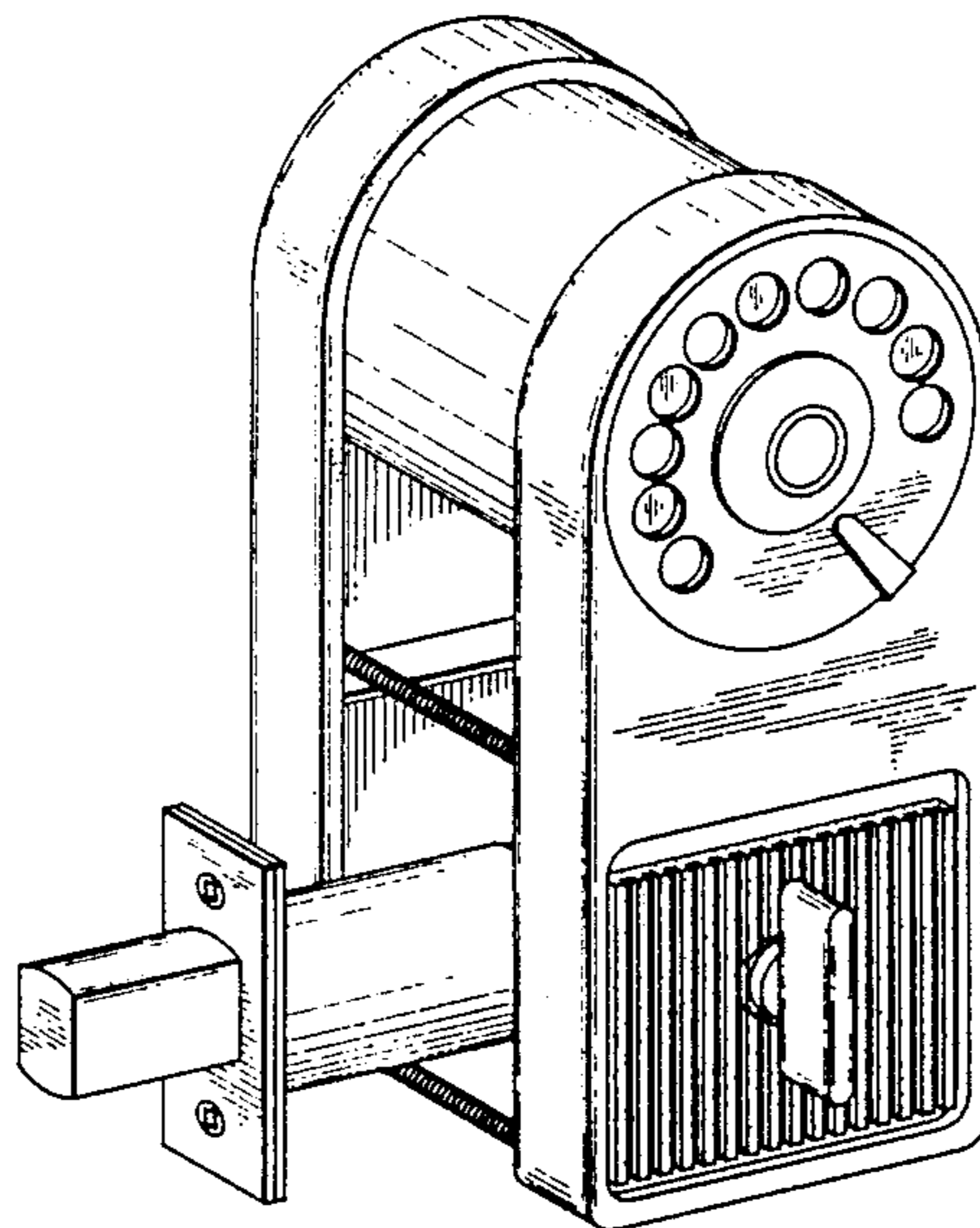


FIG. 1

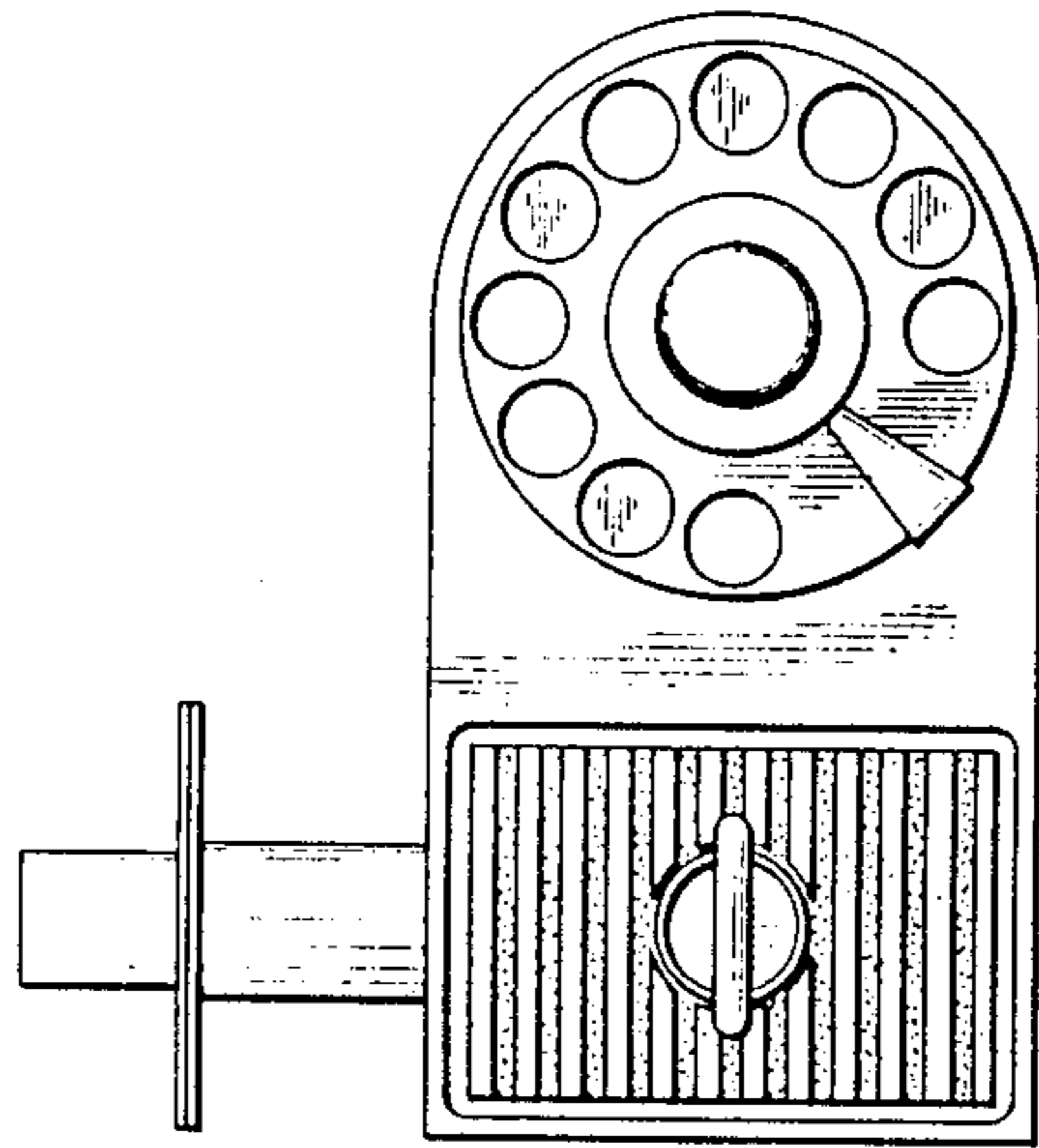


FIG. 2

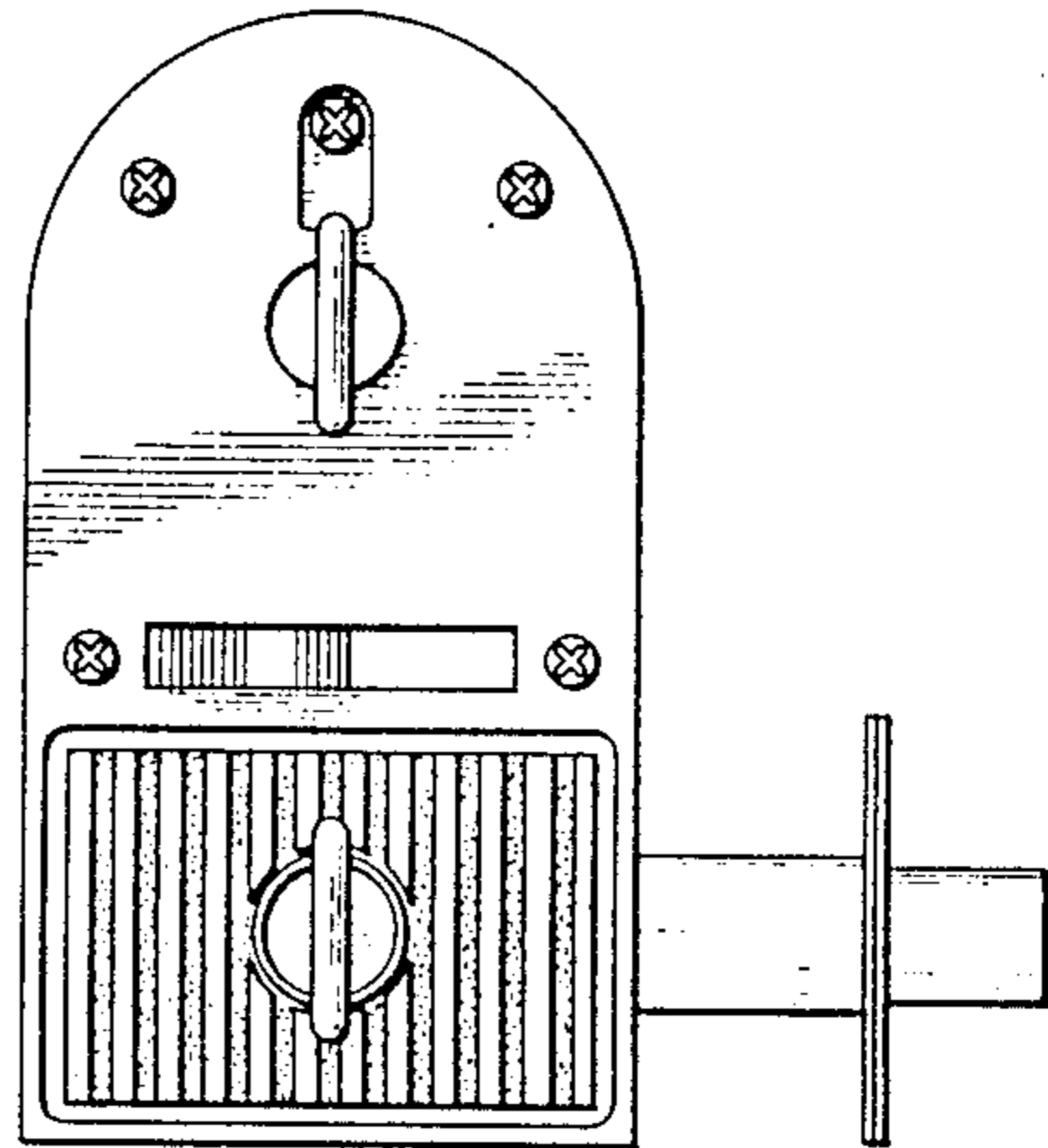


FIG. 5

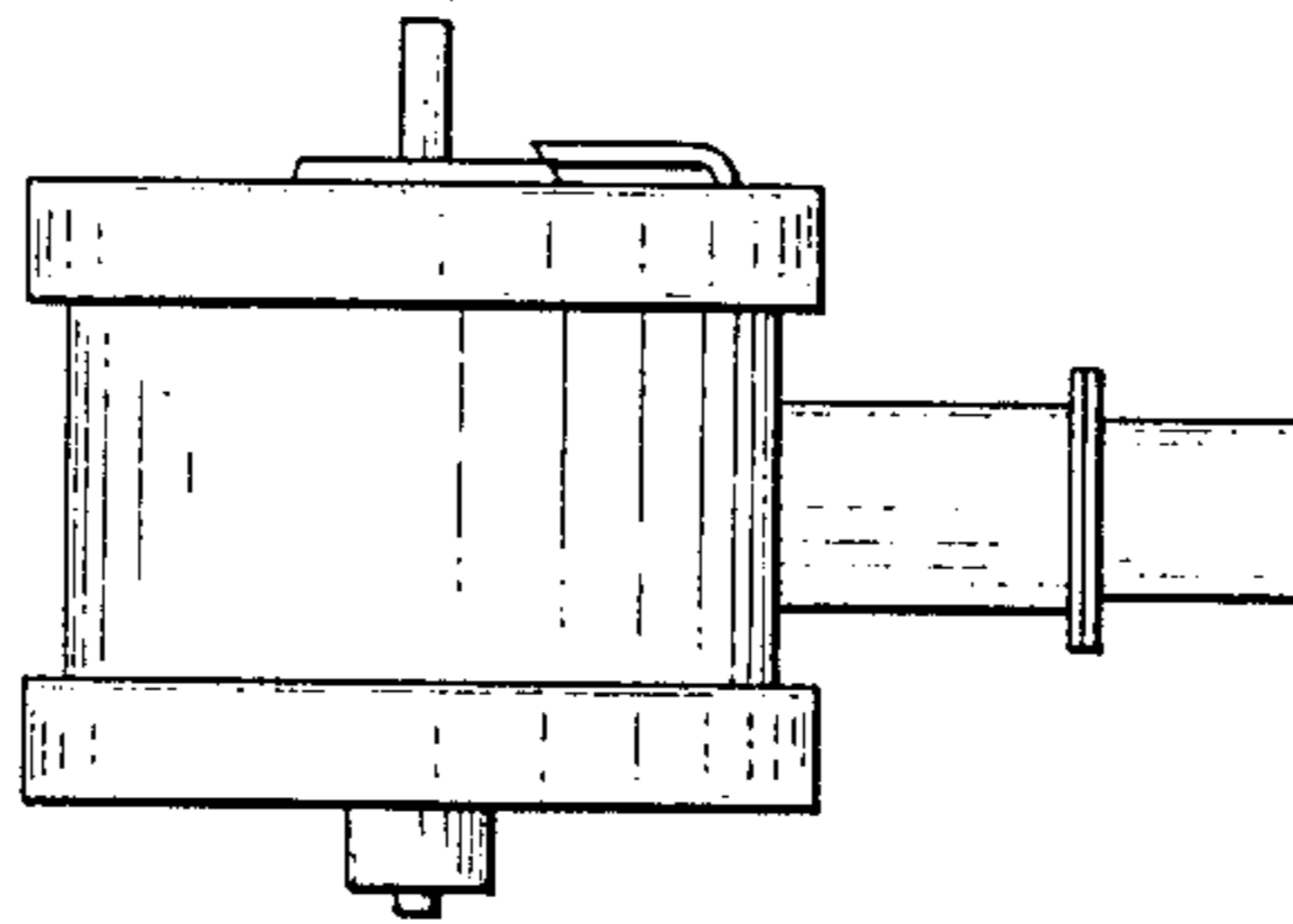


FIG. 6

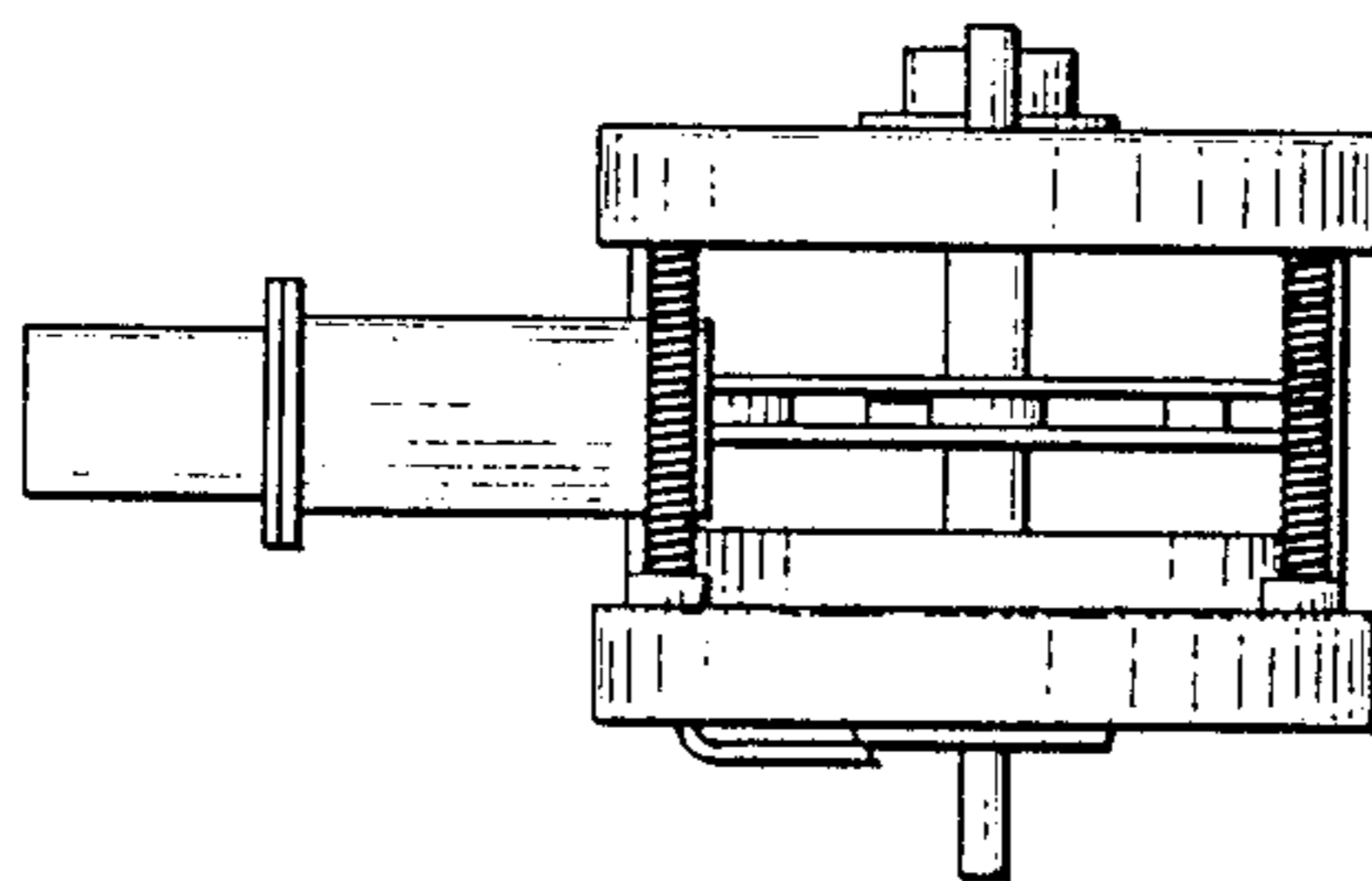


FIG. 3

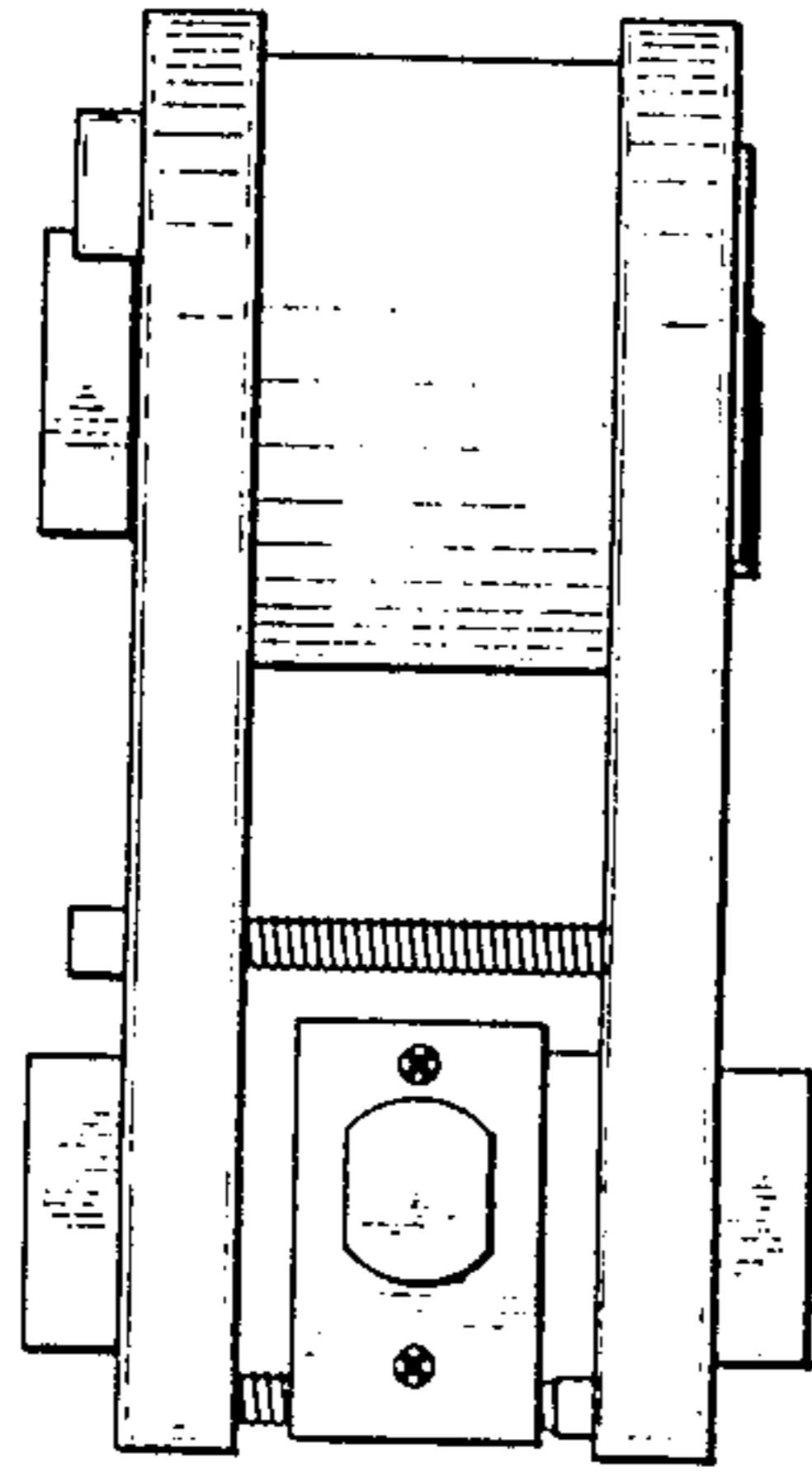


FIG. 4

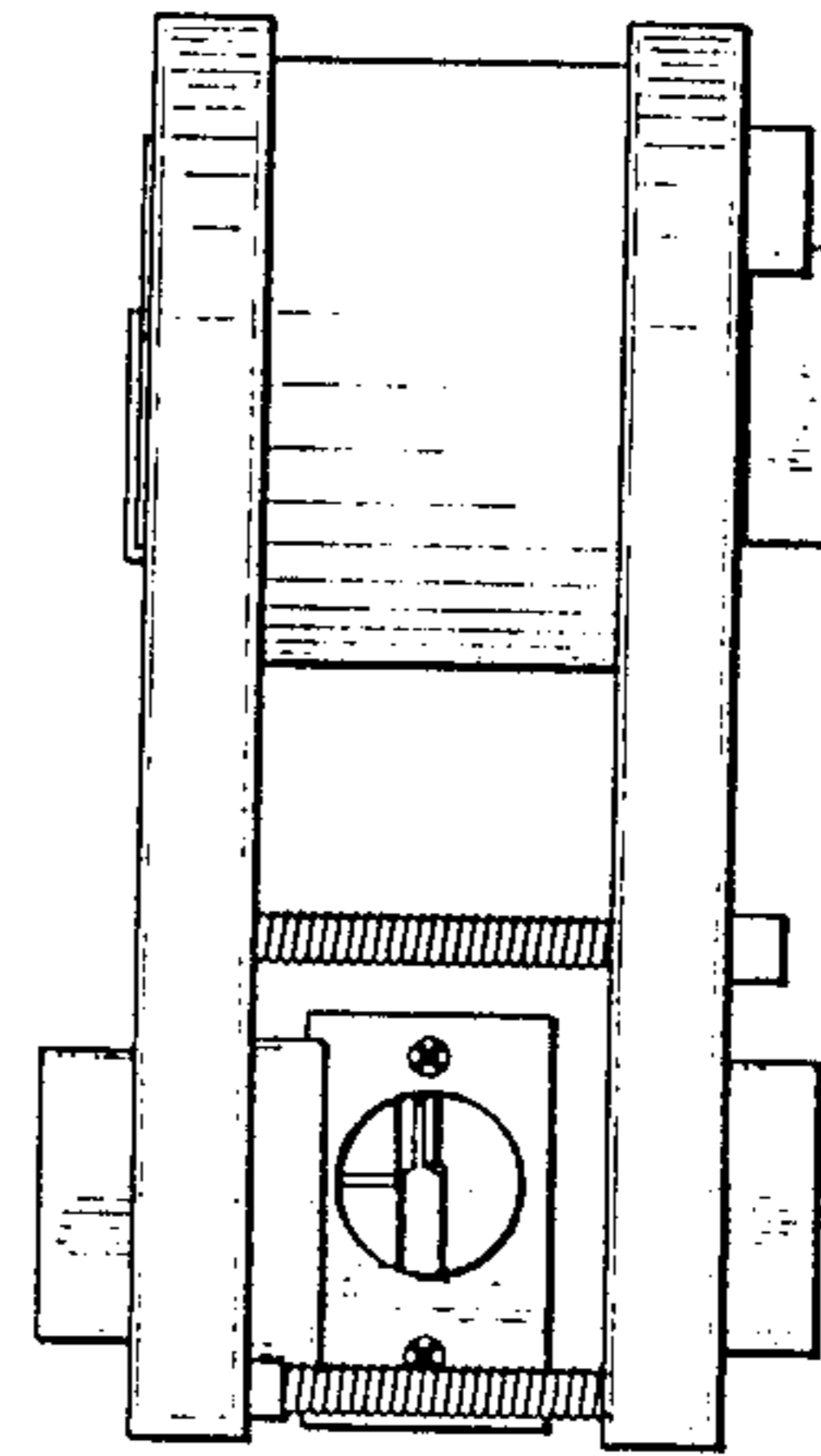


FIG. 7

