

[54] COMBINED SCREWDRIVER BIT AND SHEET METAL CUTTING ELEMENT FOR A COMBINATION HAND TOOL

[76] Inventor: John W. Wilbanks, 2362 Farley Rd., Birmingham, Ala. 35226

[*] Notice: The portion of the term of this patent subsequent to Oct. 4, 2005 has been disclaimed.

[**] Term: 14 Years

[21] Appl. No.: 231,248

[22] Filed: Aug. 12, 1988

[52] U.S. Cl. D8/82; D8/86

[58] Field of Search D8/82-87, D8/105; 81/436, 460, 461, 437; D15/139

[56] References Cited

U.S. PATENT DOCUMENTS

D. 31,789	11/1899	Jackson	D15/139
D. 297,909	10/1988	Wilbanks	D8/86
370,255	9/1887	Hart	81/436
4,190,091	2/1980	Colognori	81/436
4,325,153	4/1982	Finnegan	81/461
4,680,996	7/1987	Gold	81/436

FOREIGN PATENT DOCUMENTS

10612 8/1880 Fed. Rep. of Germany 81/436

Primary Examiner—Bruce W. Dunkins
Assistant Examiner—Martha Thompson
Attorney, Agent, or Firm—Jennings, Carter, Thompson & Veal

[57] CLAIM

The ornamental design for a combined screwdriver bit and sheet metal cutting element for a combination hand tool, as shown and described.

DESCRIPTION

FIG. 1 is a perspective view of a combined screwdriver bit and sheet metal cutting element for a combination hand tool showing my new design;

FIG. 2 is a top plan view thereof, the bottom view being identical;

FIG. 3 is a side elevational view thereof, the opposite side being identical;

FIG. 4 is a left end elevational view thereof; and

FIG. 5 is a reduced scale perspective view thereof with a shaft and handle being shown in broken lines for illustrative purposes only.

The tool shaft is shown broken away in FIGS. 1-3 to depict indeterminate length.

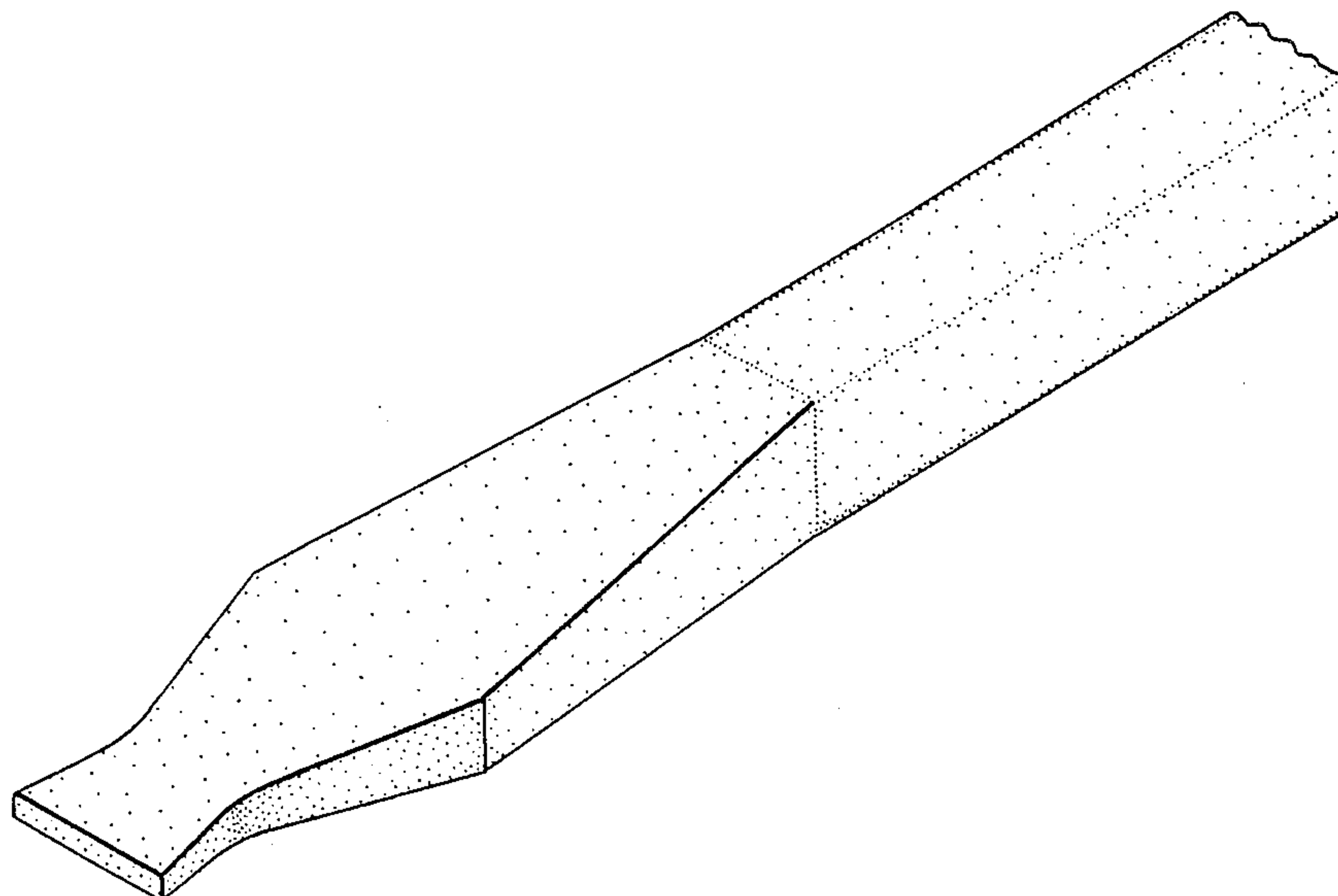


FIG. 1

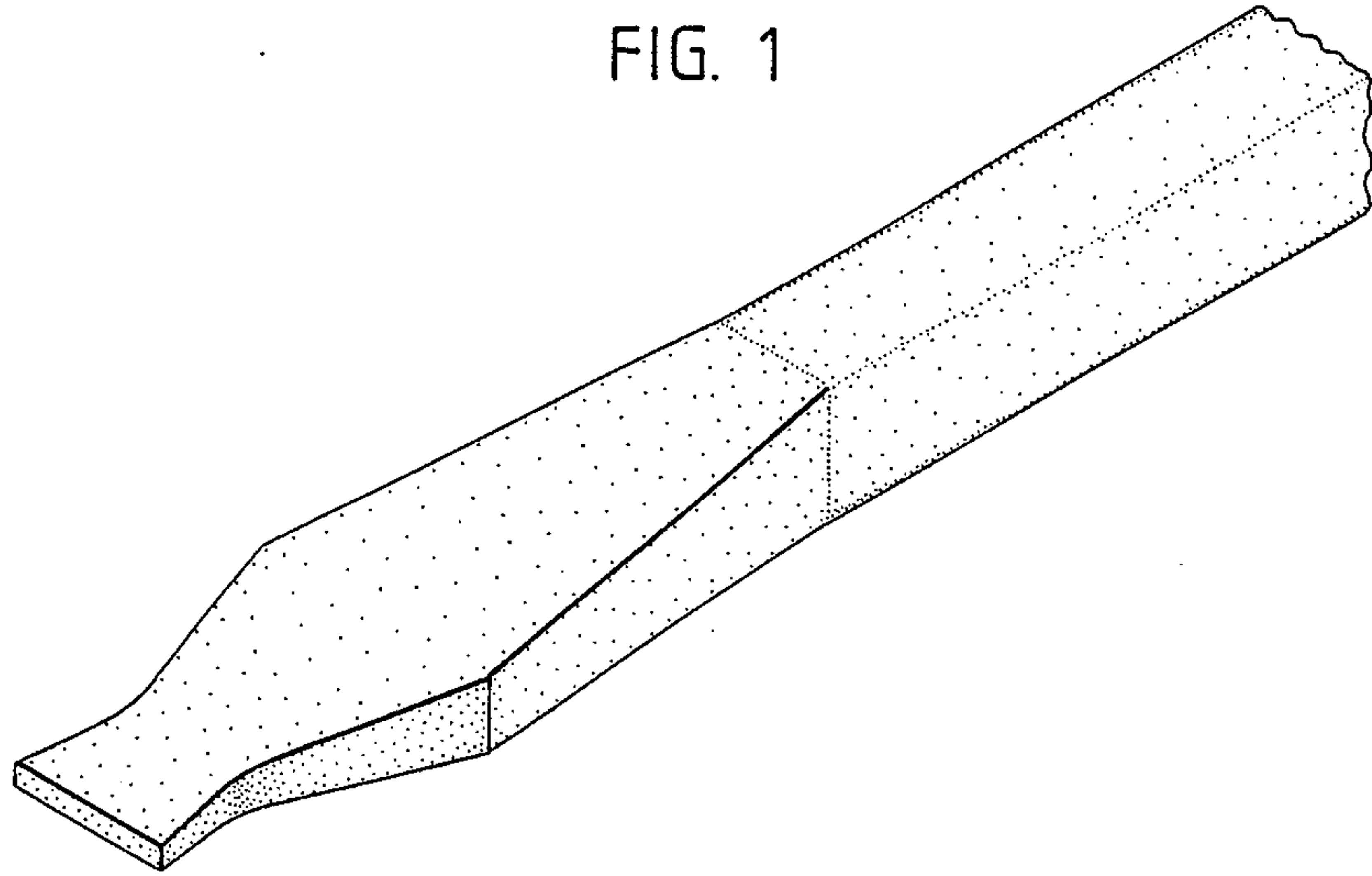


FIG. 2

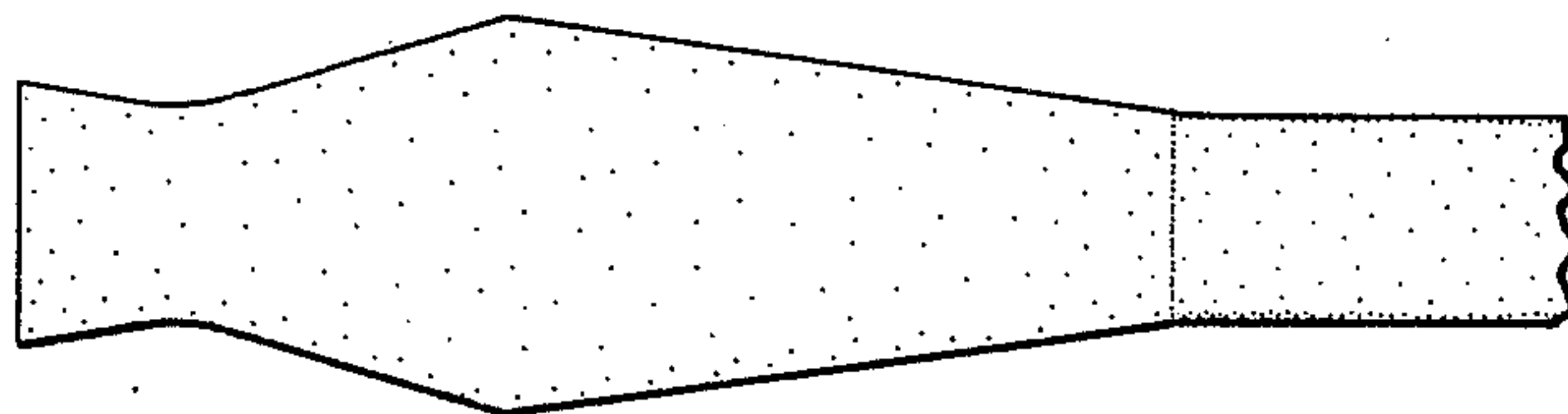


FIG. 3

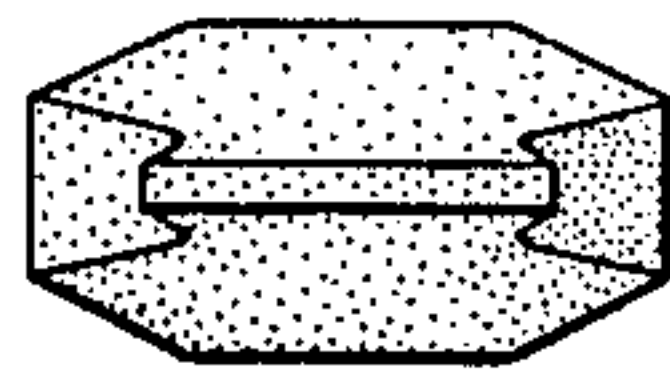
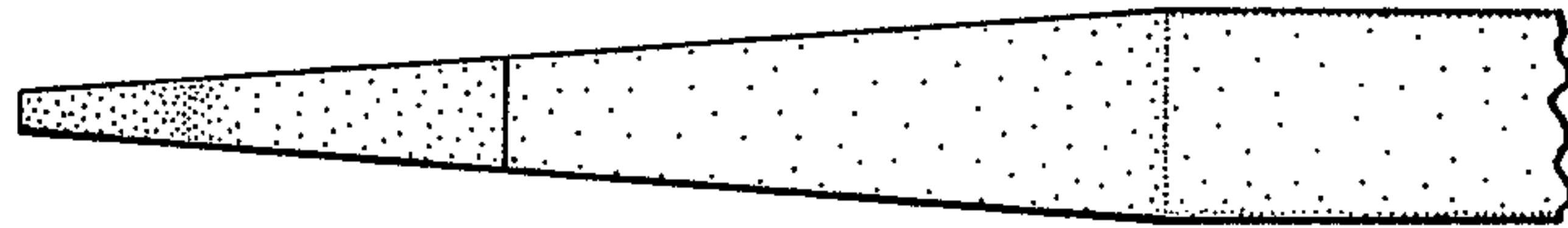


FIG. 4

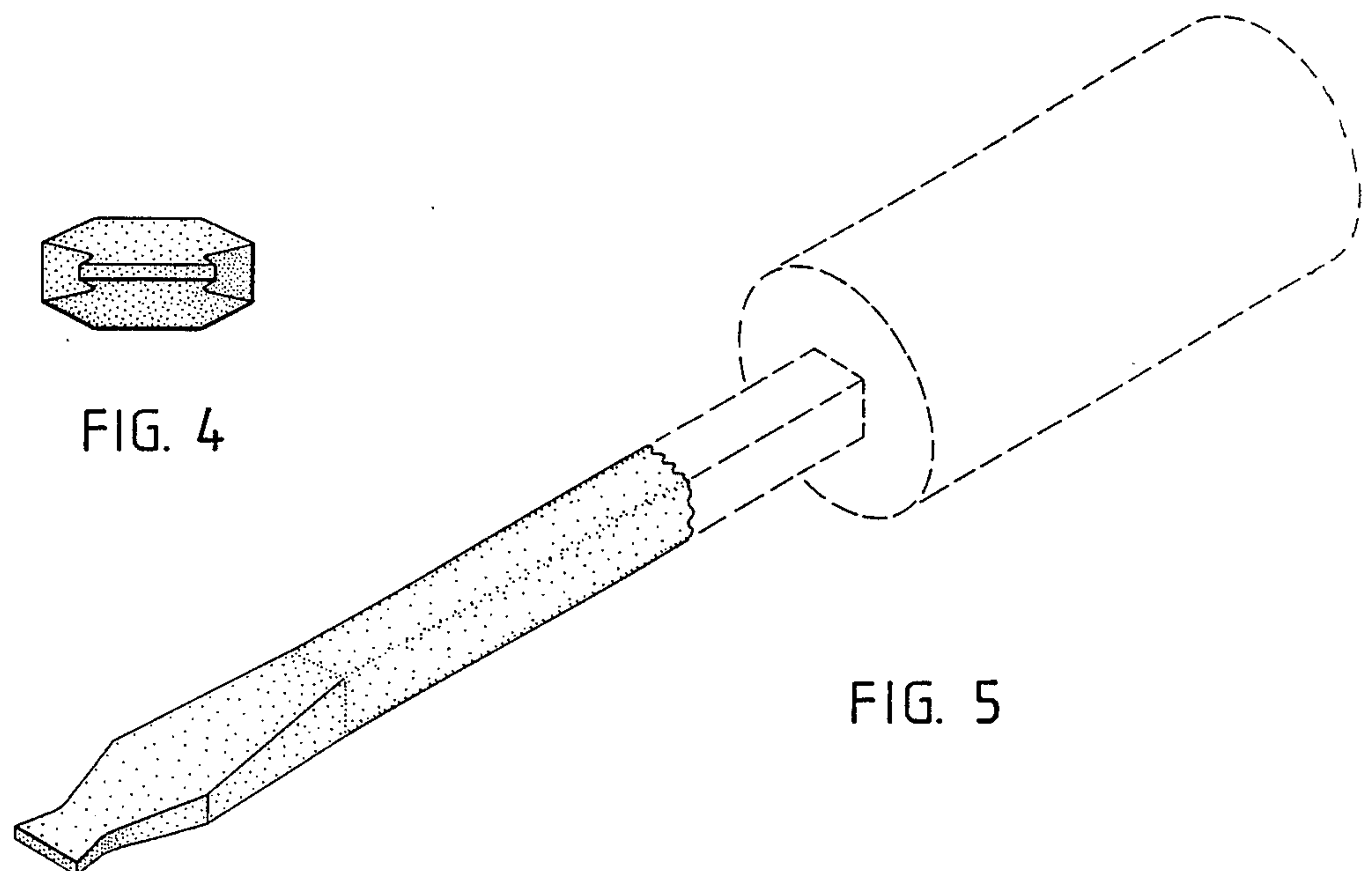


FIG. 5