

[54] TUBE CUTTING TOOL

[75] Inventors: Jerald Vanderpol, Eldorado Hills; Cory J. Silber, Sacramento, both of Calif.

[73] Assignee: Tri Tool Inc., Rancho Cordova, Calif.

[**] Term: 14 Years

[21] Appl. No.: 139,057

[22] Filed: Dec. 29, 1987

[52] U.S. Cl. D8/60

[58] Field of Search D8/60; 30/92, 93, 94, 30/99, 101, 102; 81/111, 116, 118, 127; 408/20

[56] References Cited

U.S. PATENT DOCUMENTS

882,432	3/1908	Thomas .	
2,281,300	12/1940	Waldo	192/13.1
2,379,177	11/1944	Pavey	30/99
3,000,097	9/1961	Hartz	30/92.5 X

3,715,804	2/1973	Kelley	30/102
3,849,881	11/1974	Strybel	30/94 X
4,058,893	11/1977	Boyajian	30/92 X
4,271,733	6/1981	Stone	82/4 C
4,305,205	12/1981	Girala	30/102
4,438,562	3/1984	Courty	30/99
4,831,732	5/1989	Garton	30/102 X
4,890,385	1/1990	Vanderpol	30/94 X

Primary Examiner—Bruce W. Dunkins
Assistant Examiner—M. Hannon
Attorney, Agent, or Firm—Bacon & Thomas

[57] CLAIM

The ornamental design for a tube cutting tool, as shown and described.

DESCRIPTION

FIG. 1 is a front perspective view of a tube cutting tool showing our new design; FIG. 2 is a rear perspective view; FIG. 3 is a right side elevational view; FIG. 4 is a front elevational view; and FIG. 5 is a bottom plan view thereof.

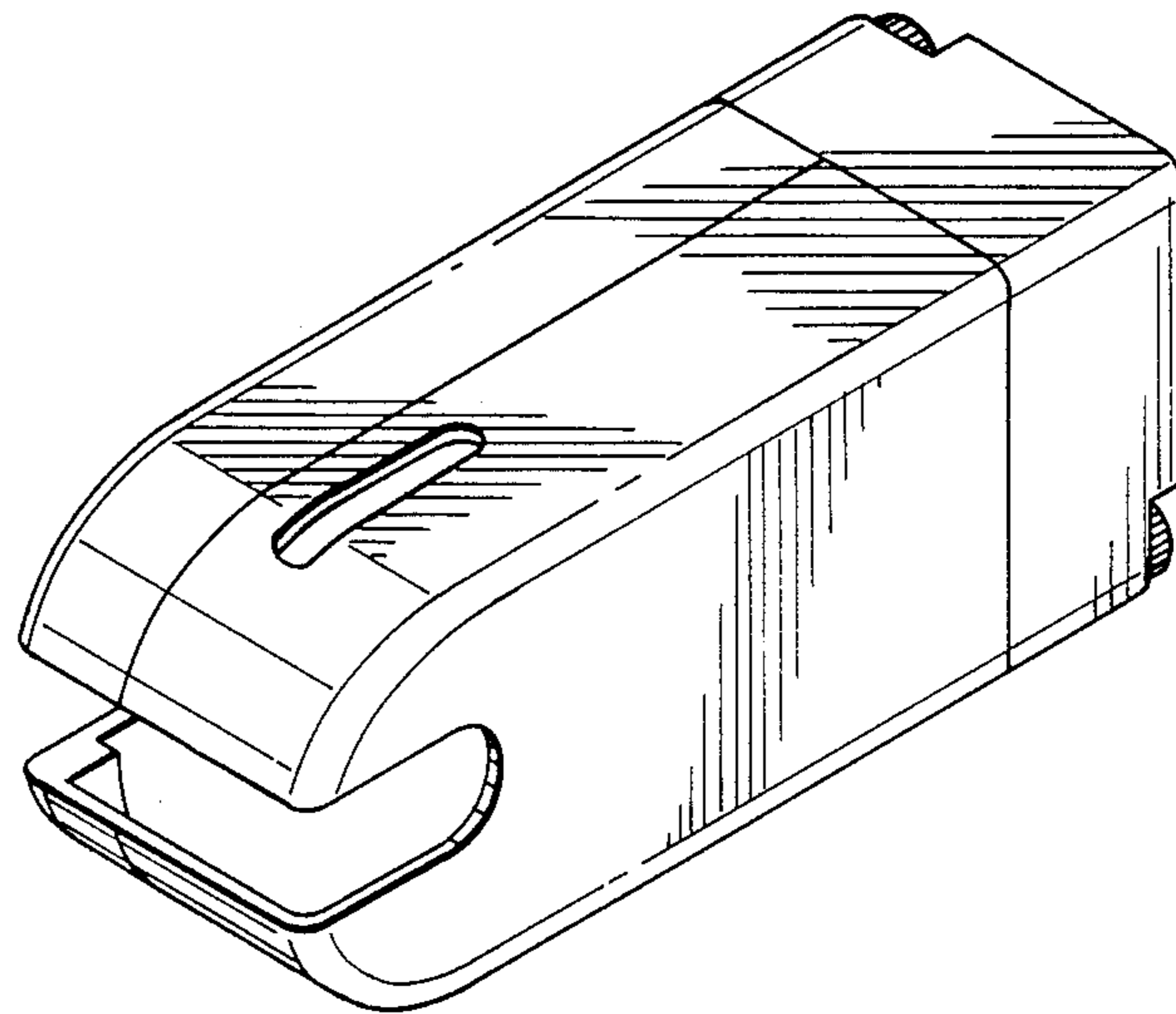


FIG 1

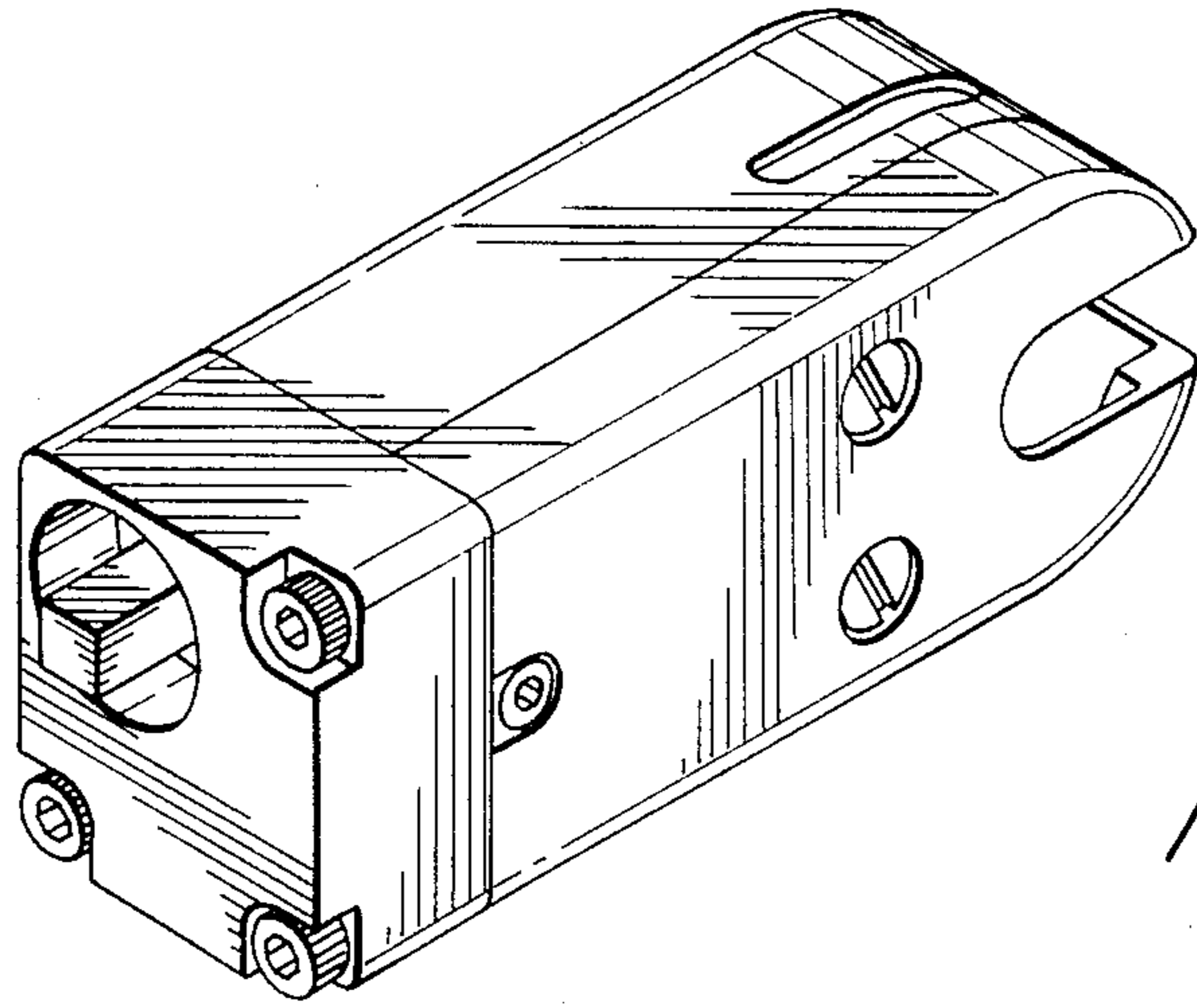
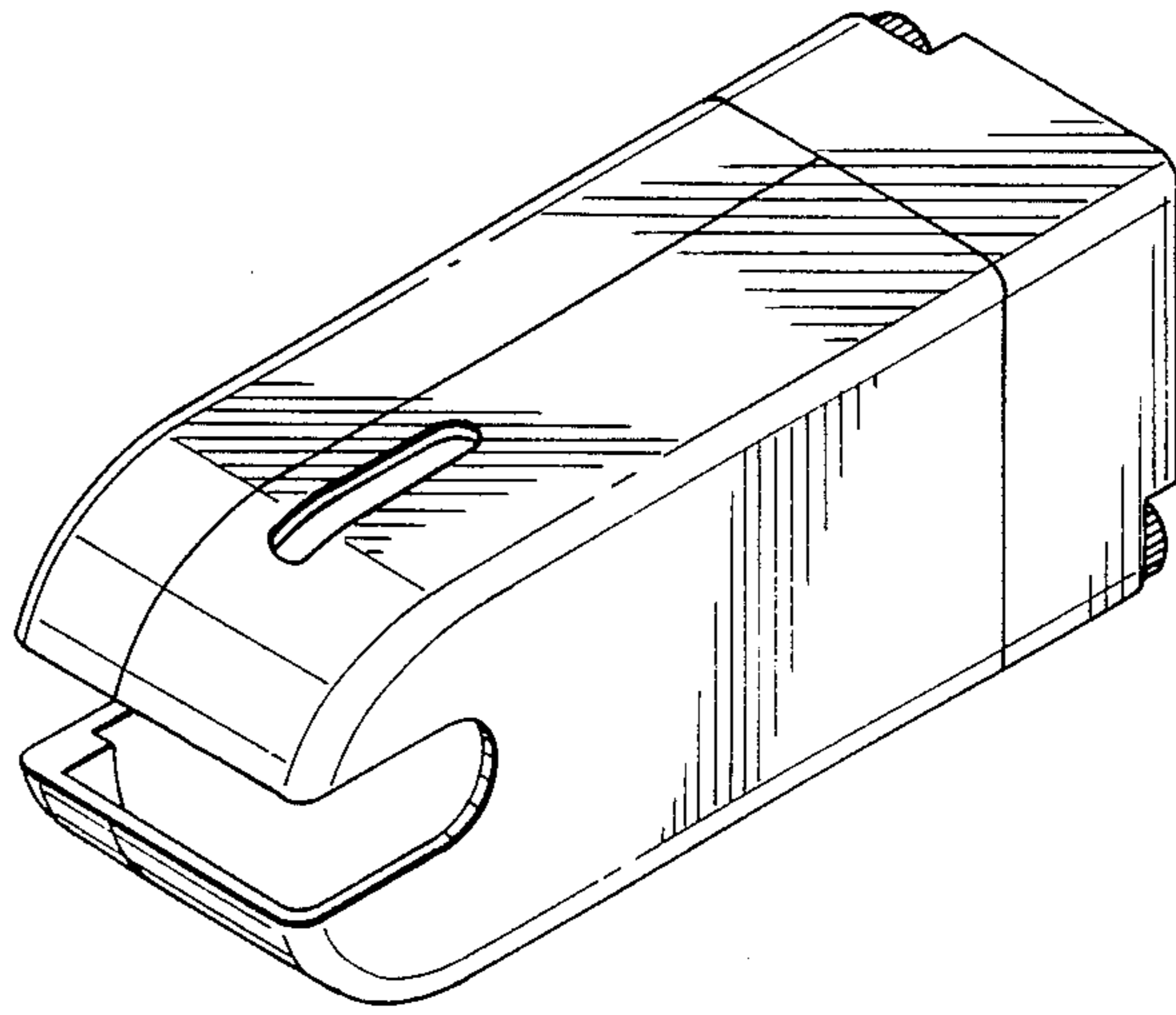


FIG 2

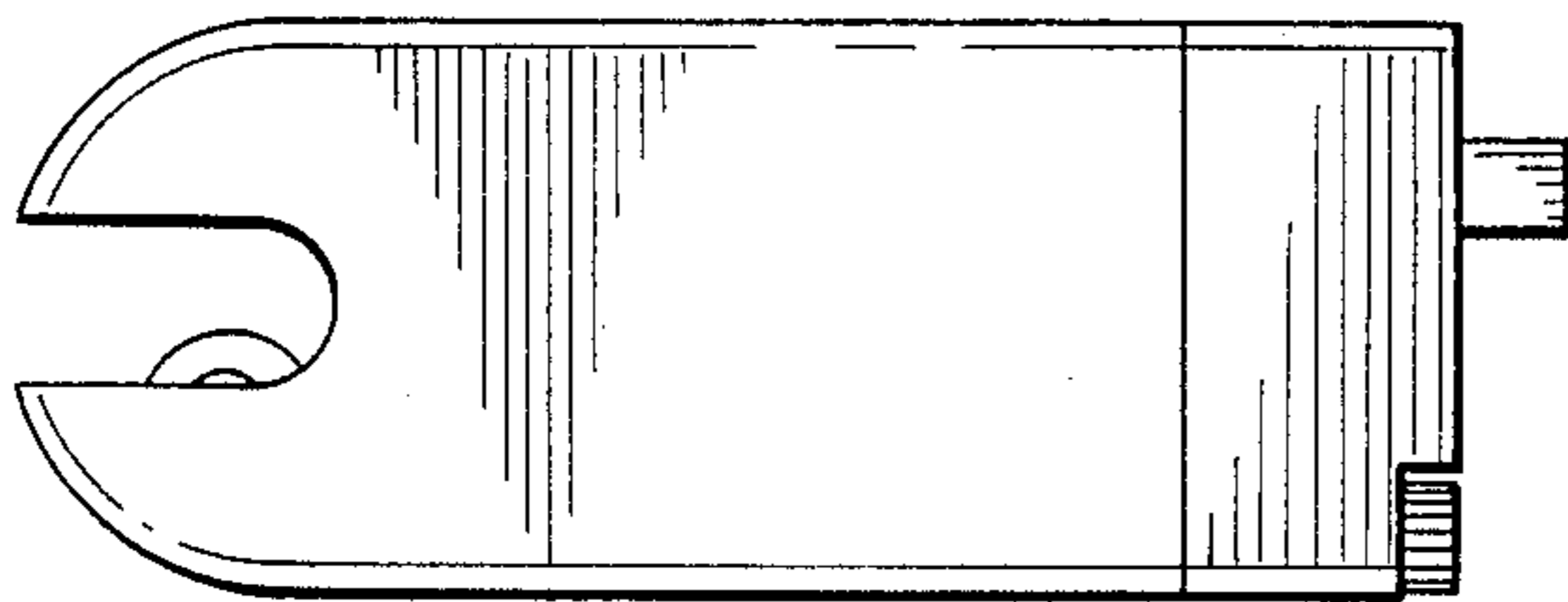


FIG 3

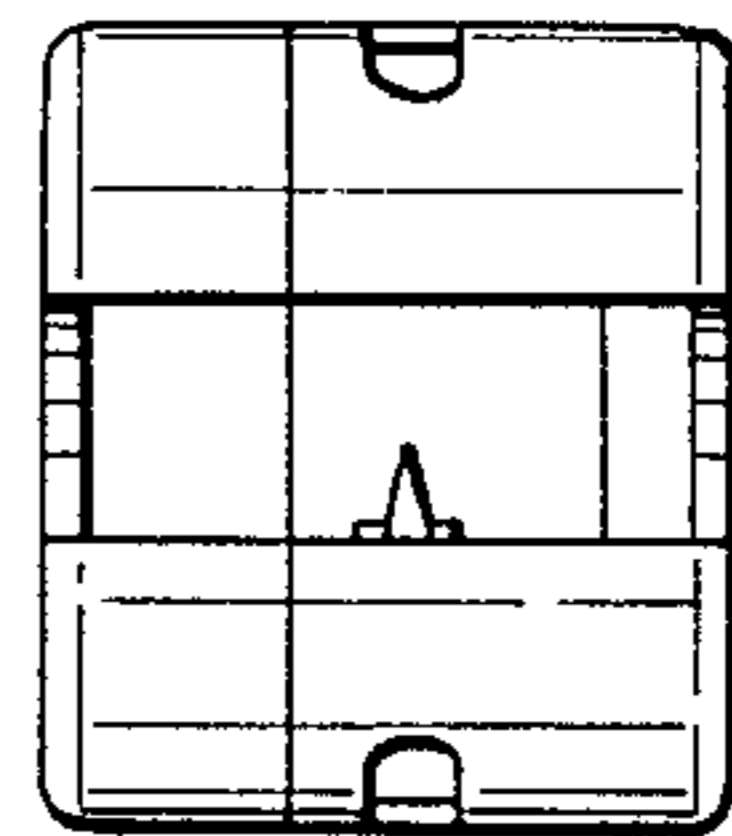


FIG 4

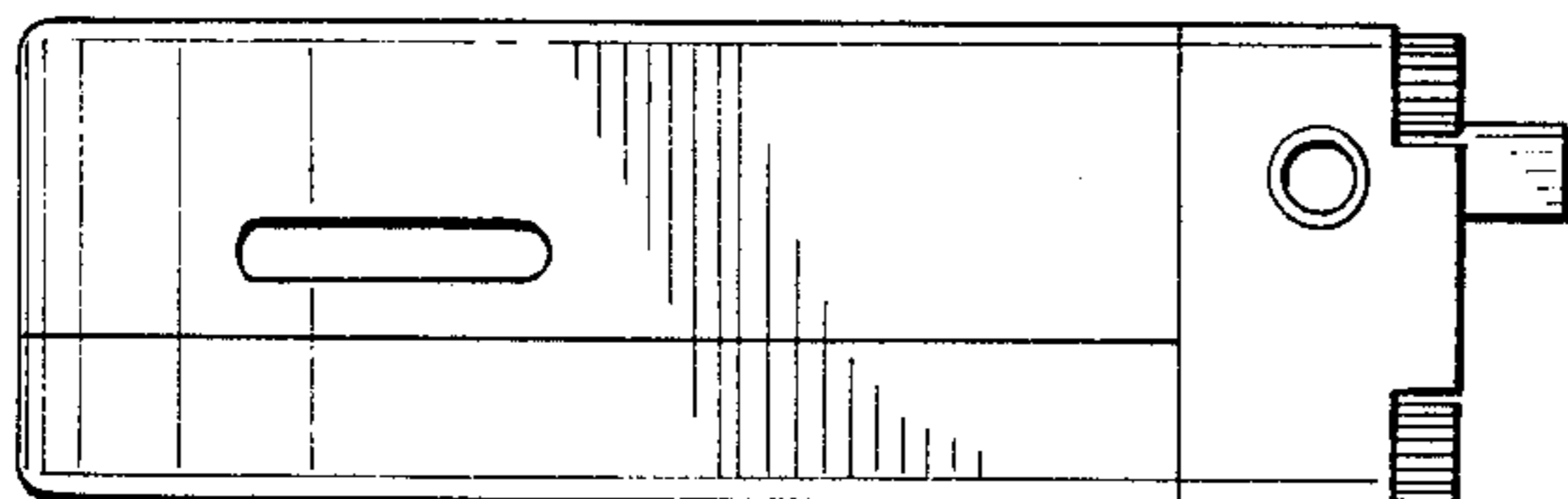


FIG 5