

[54] LOCKABLE CARRIER FOR BOTTLES, OR SIMILAR ARTICLE

[75] Inventor: Johannes Persch, Starnberg, Fed. Rep. of Germany

[73] Assignee: Pico Getranke GmbH, Starnberg, Fed. Rep. of Germany

[**] Term: 14 Years

[21] Appl. No.: 228,154

[22] Filed: Aug. 4, 1988

[30] Foreign Application Priority Data

Jun. 27, 1988 [DE] Fed. Rep. of Germany MR17902

[52] U.S. Cl. D7/598

[58] Field of Search D7/70-71, D7/2; 211/74, 77-78, 69; D6/469

[56] References Cited

U.S. PATENT DOCUMENTS

- D. 232,793 9/1974 Bennett D7/71 X
- 367,329 7/1887 Witherell 211/77
- 401,829 4/1889 Hall 211/77

- 1,878,302 9/1932 Tourtois 211/77
- 2,003,135 5/1935 Bowman 211/74 X
- 2,281,849 5/1942 McCoppin 211/77
- 2,739,759 3/1956 Davidson et al. 211/77 X
- 2,880,882 4/1959 Lipka 211/77
- 3,352,427 11/1967 Lawrence et al. 211/74

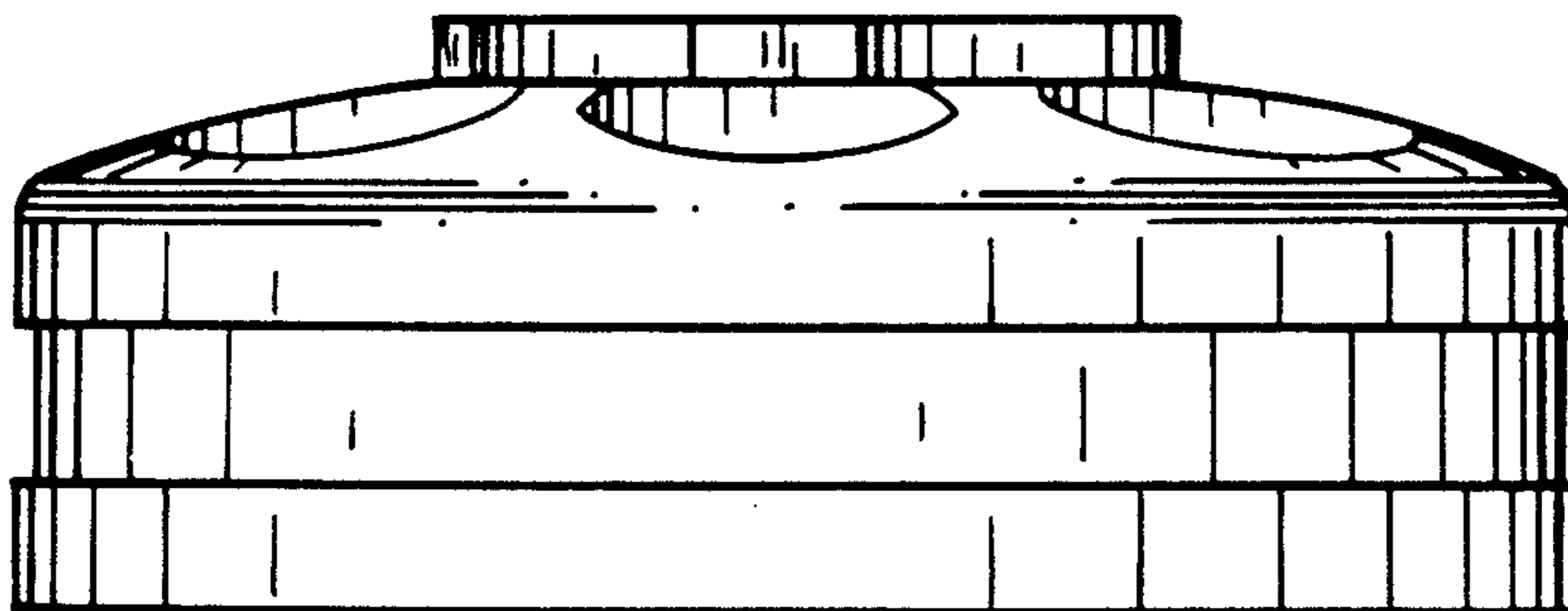
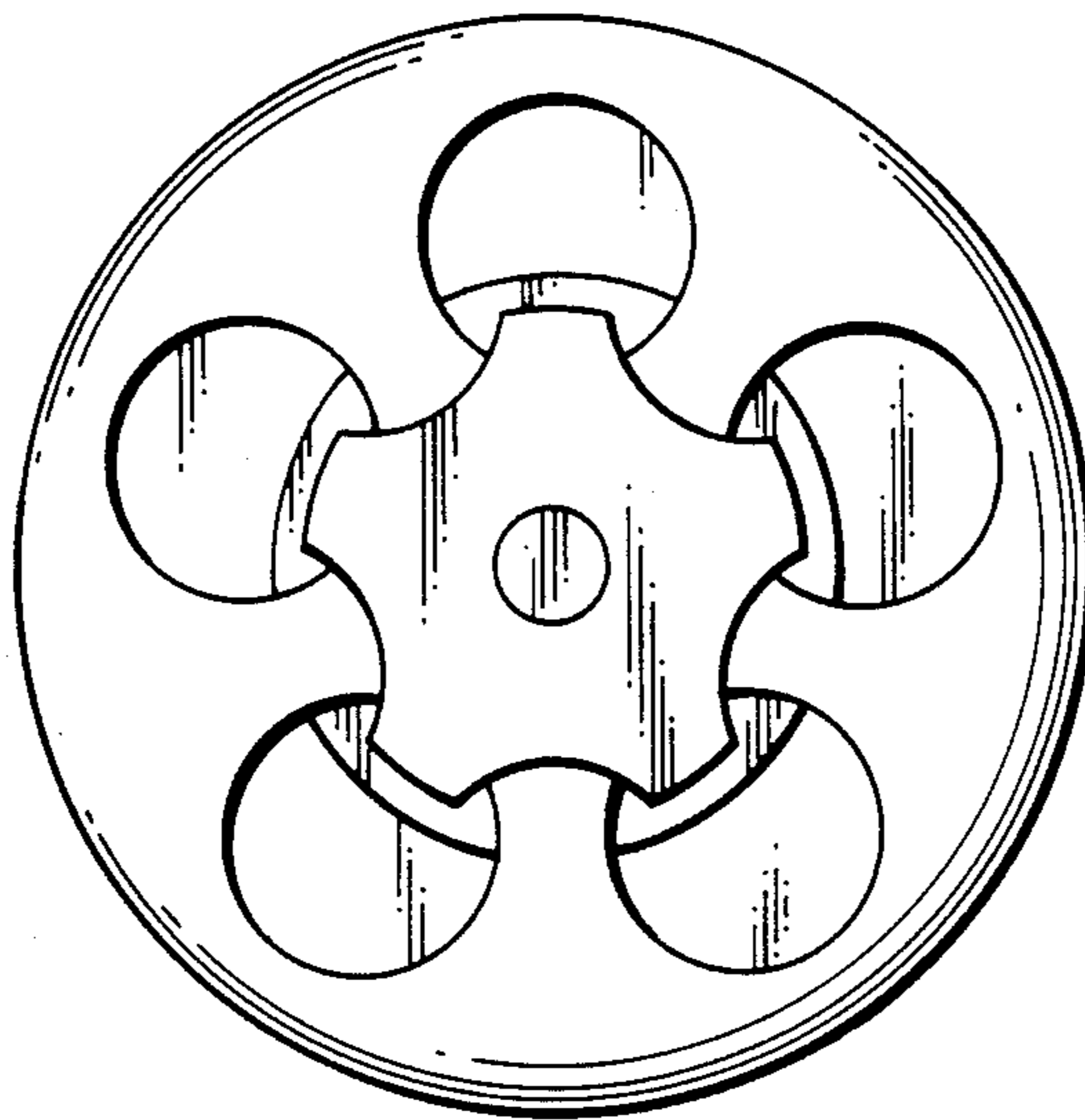
Primary Examiner—Bernard Ansher
Assistant Examiner—Terry A. Pfeffer
Attorney, Agent, or Firm—Cushman, Darby & Cushman

[57] CLAIM

The ornamental design for a lockable carrier for bottles or similar article, as shown and described.

DESCRIPTION

FIG. 1 is a perspective view of a lockable carrier for bottles, or similar article showing my new design; FIG. 2 is a top plan view thereof; FIG. 3 is a bottom plan view thereof; and FIG. 4 is a front elevational view thereof. The design as shown has multifaceted symmetry about the longitudinal axis of the lockable carrier for bottles or similar article. The matter shown in dashed lines forms no part of the claimed design.



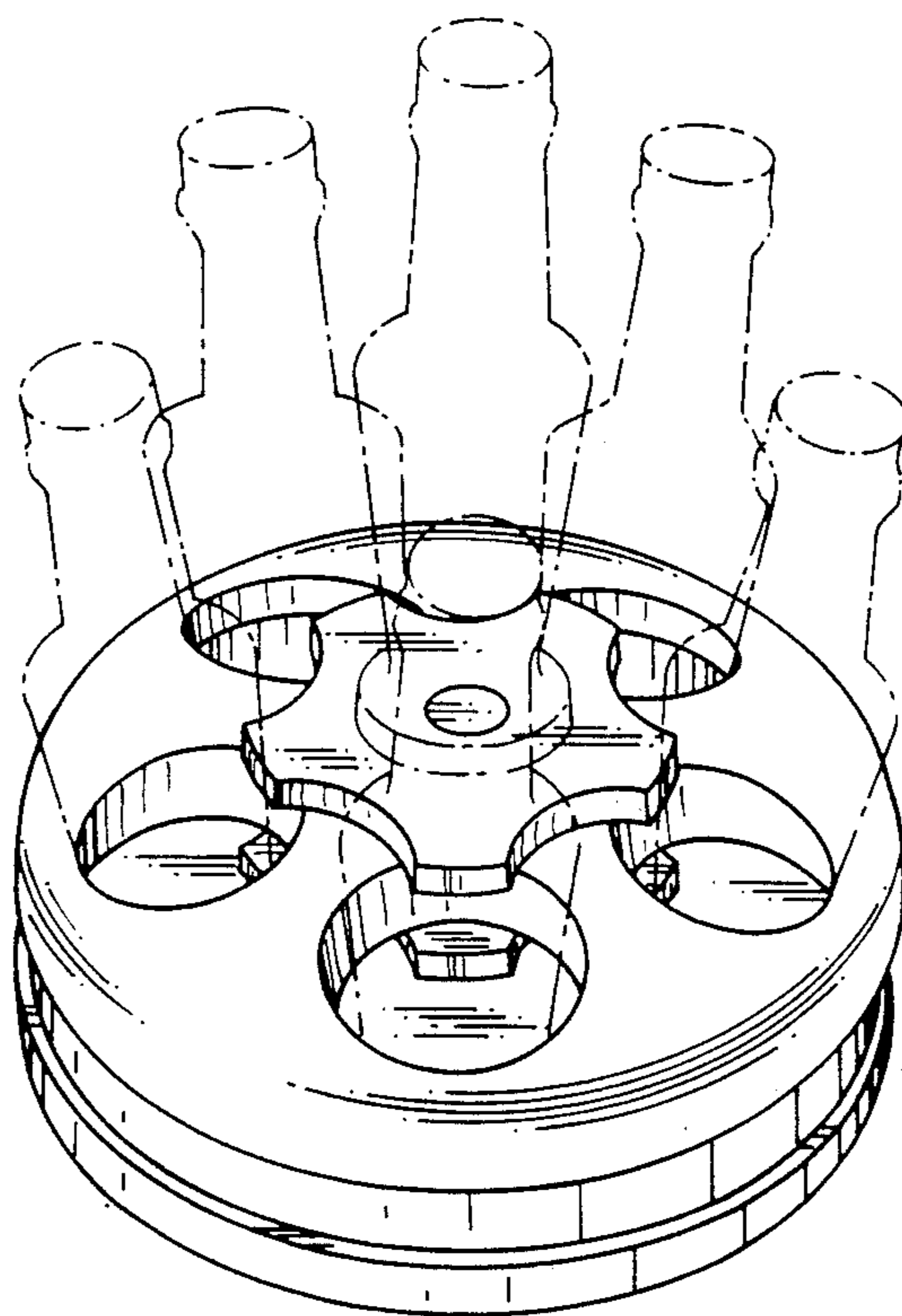


FIG. 1

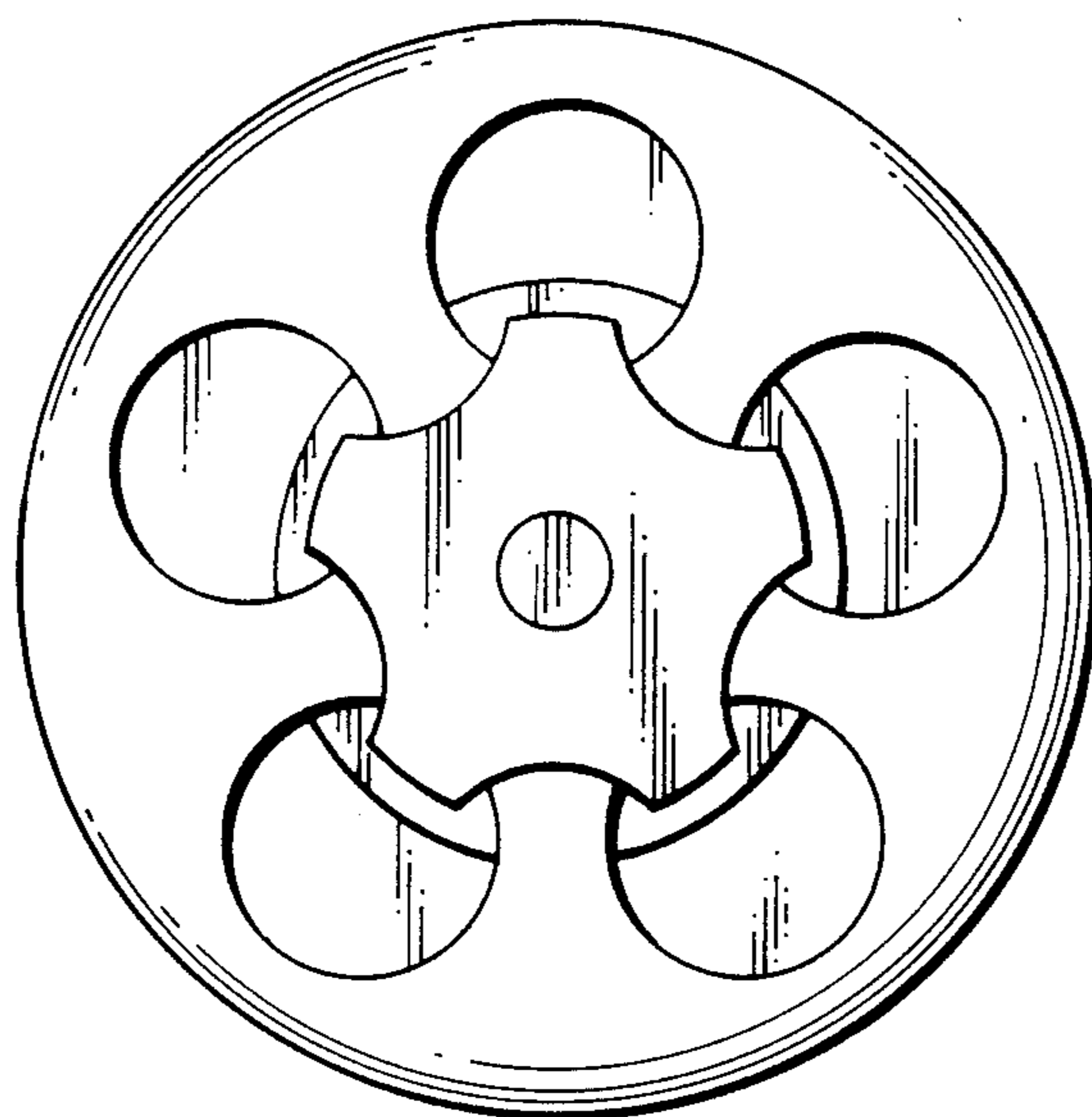


FIG. 2

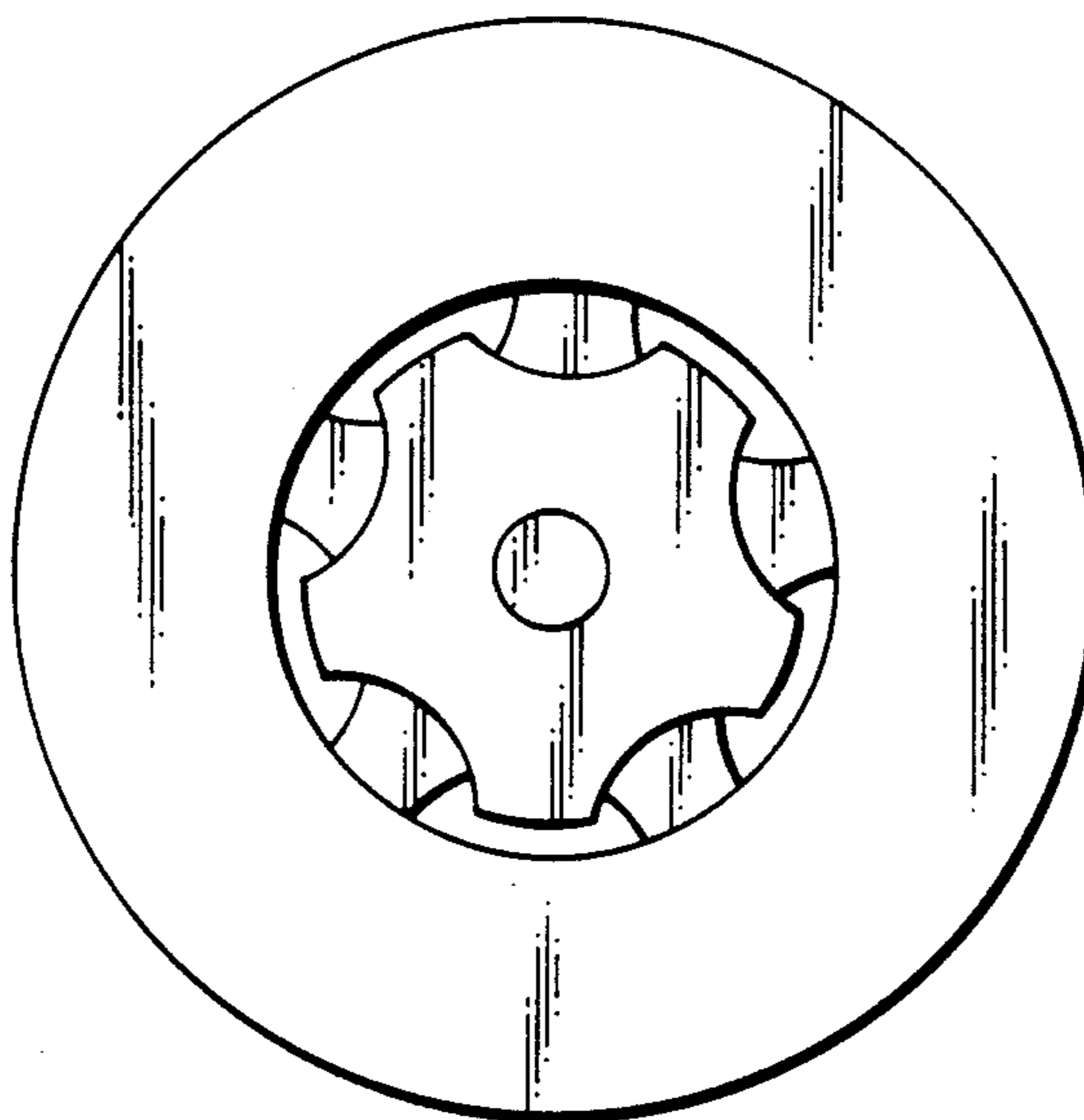


FIG. 3

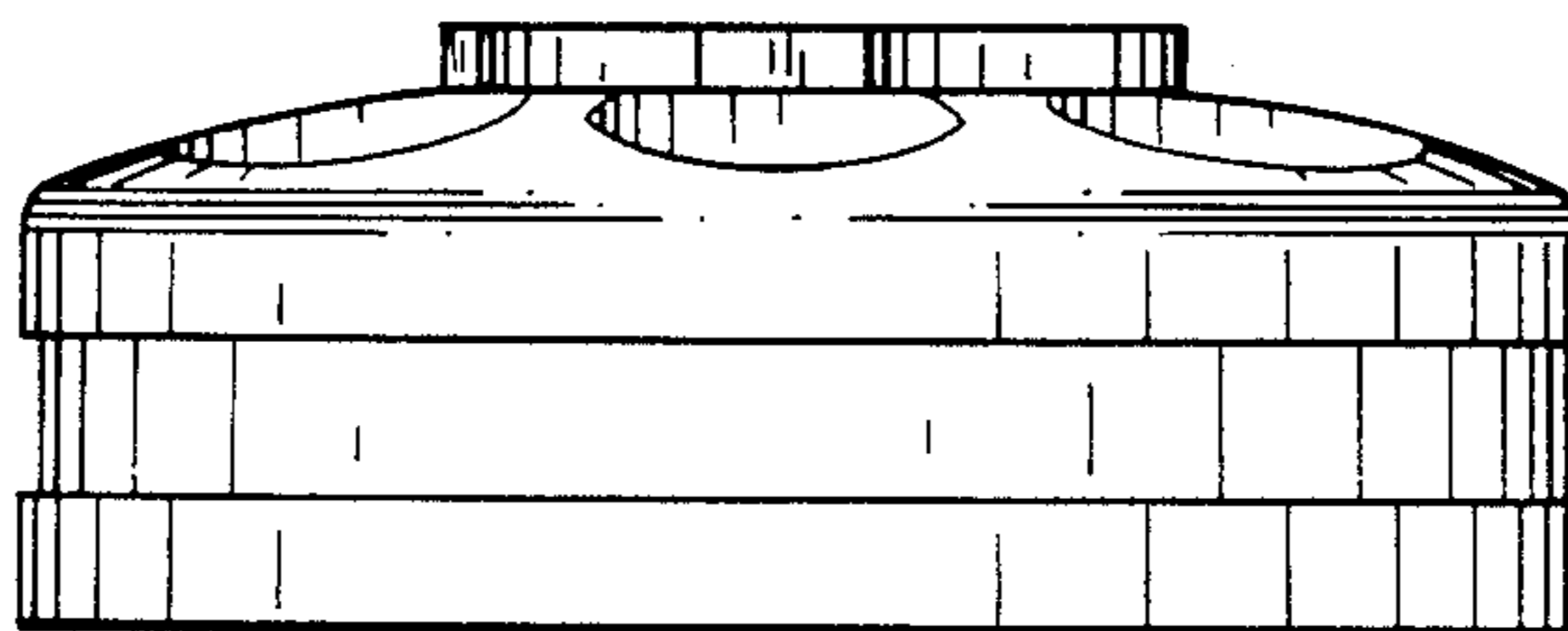


FIG. 4