

[54] COMBINED HANDKERCHIEF, TIE AND BELT HOLDER

D. 302,918 8/1989 Maki D6/569
2,007,636 7/1935 Brothers 211/87

[76] Inventor: Marshall James, 97 James Rd.,
Lyman, S.C. 29365

Primary Examiner—Wallace R. Burke
Assistant Examiner—Brian N. Vinson
Attorney, Agent, or Firm—Luke J. Wilburn, Jr.

[**] Term: 14 Years

[57] CLAIM

[21] Appl. No.: 275,798

The ornamental design for a combined handkerchief, tie, and belt holder, as shown.

[22] Filed: Nov. 25, 1988

[52] U.S. Cl. D6/571

[58] Field of Search D6/512, 552-553,
D6/567, 569-572; 211/13, 30, 32, 70.6, 86-87,
182; 248/304

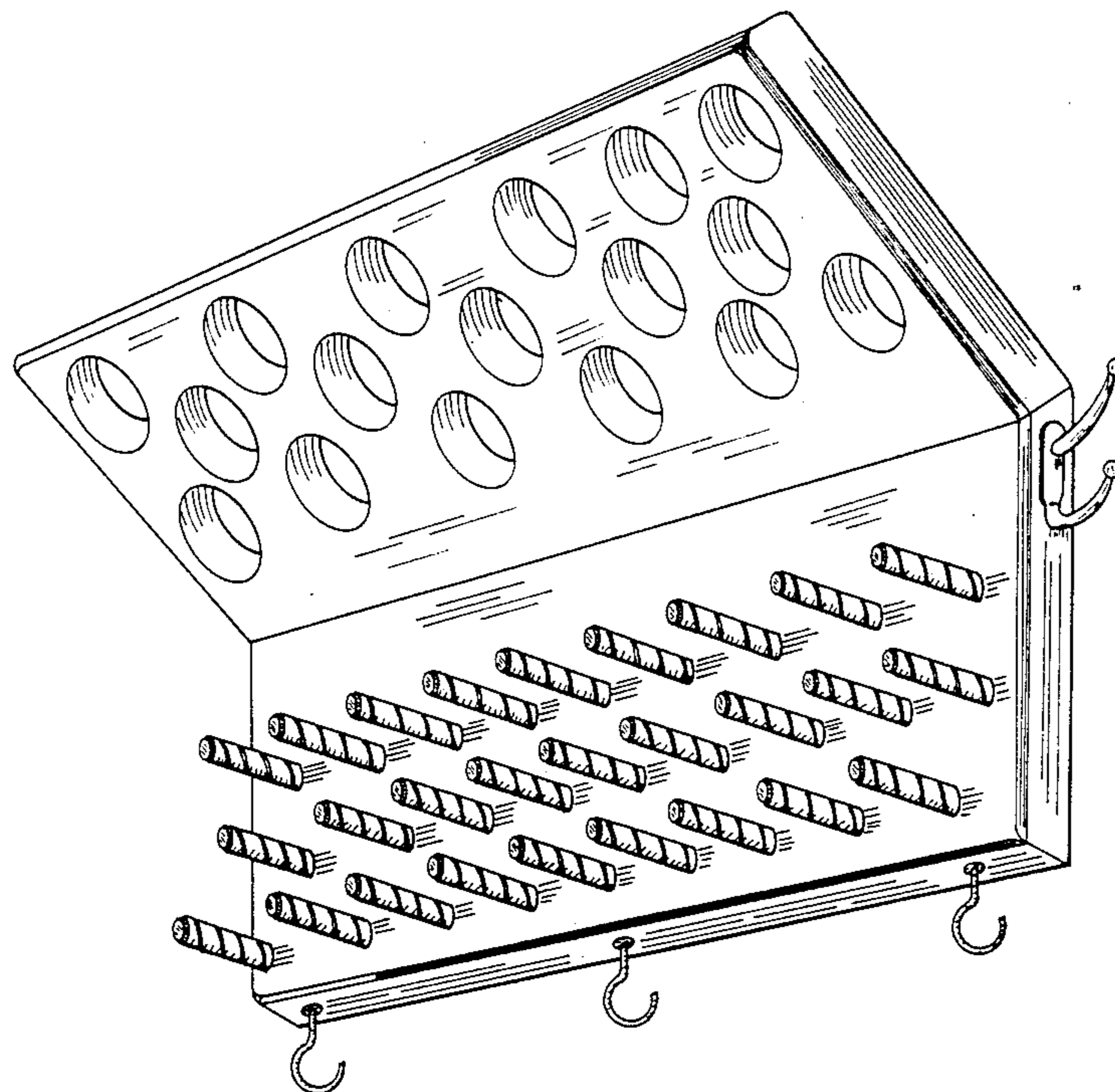
DESCRIPTION

FIG. 1 is a front and right side perspective view of a combined handkerchief, tie, and belt holder showing my new design;
FIG. 2 is a front elevational view thereof;
FIG. 3 is a rear elevational view thereof;
FIG. 4 is a left side elevational view thereof;
FIG. 5 is a right side elevational view thereof;
FIG. 6 is a top plan view thereof; and
FIG. 7 is a bottom plan view thereof.

[56] References Cited

U.S. PATENT DOCUMENTS

D. 279,730	7/1985	Ritchey	D6/513	X
D. 284,716	7/1986	Honerman	D6/514	X
D. 291,031	7/1987	Luongo	D6/569	X
D. 301,100	5/1989	Lee	D6/553	X



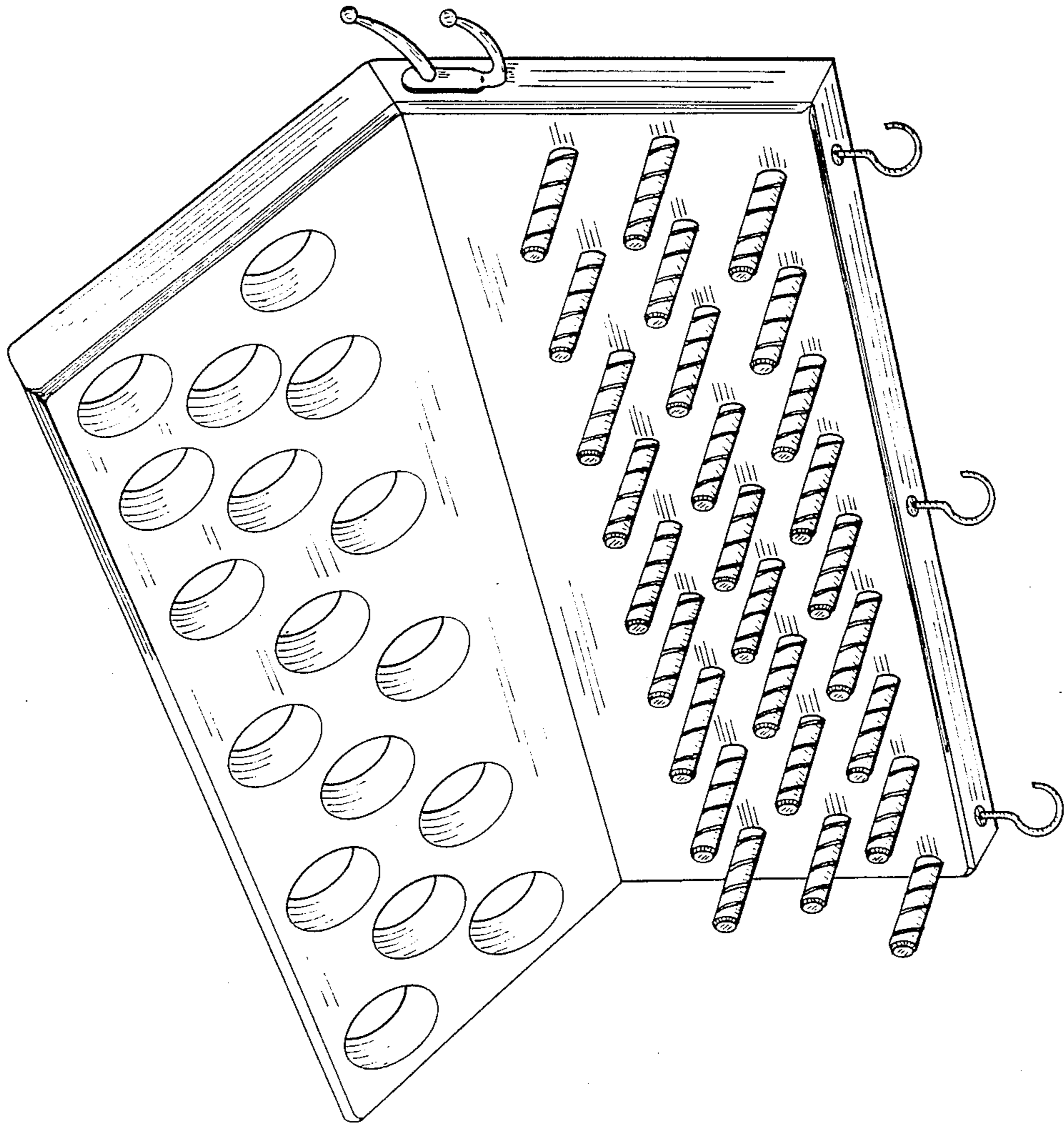


Fig. 1.

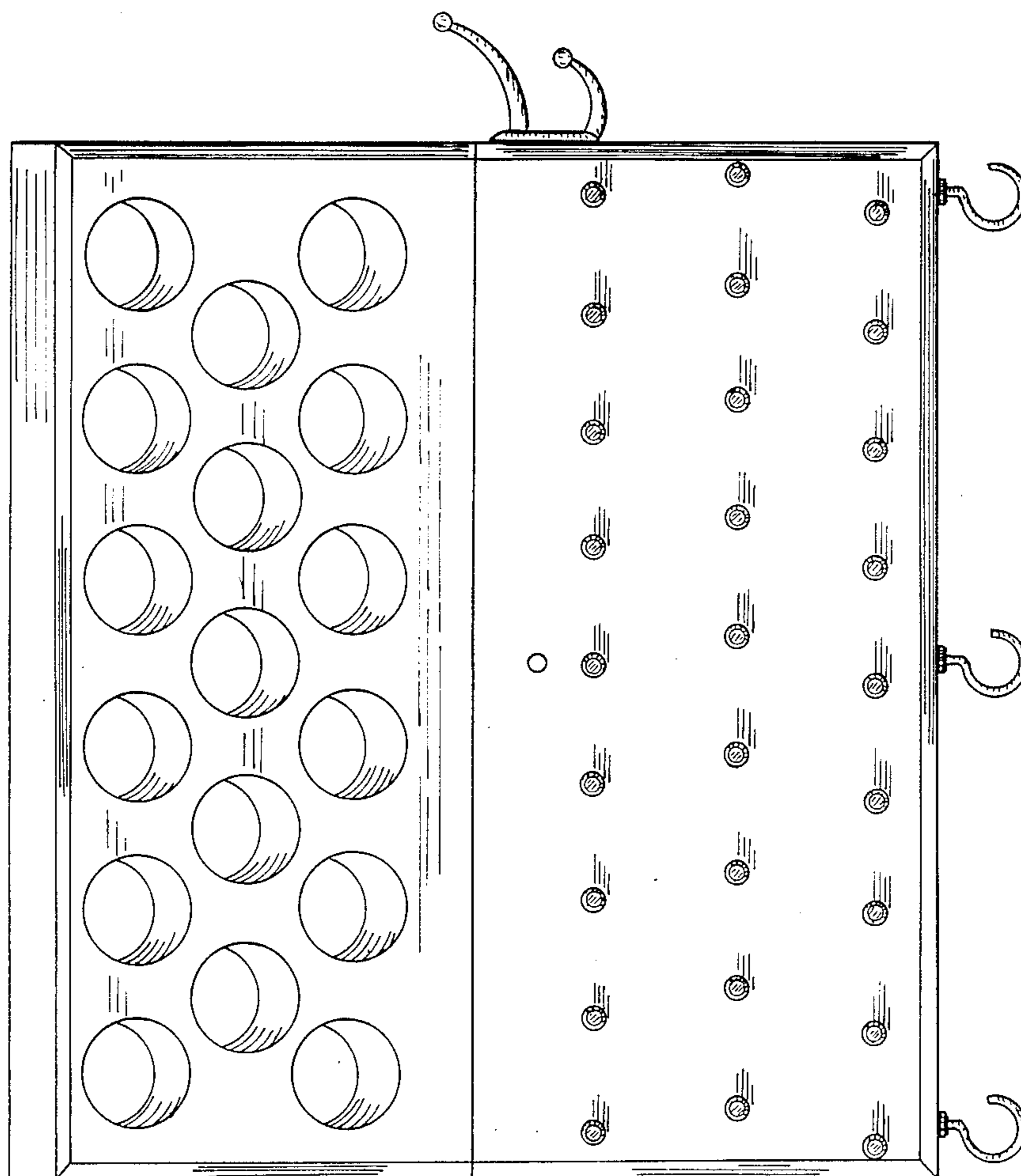


Fig. 2.

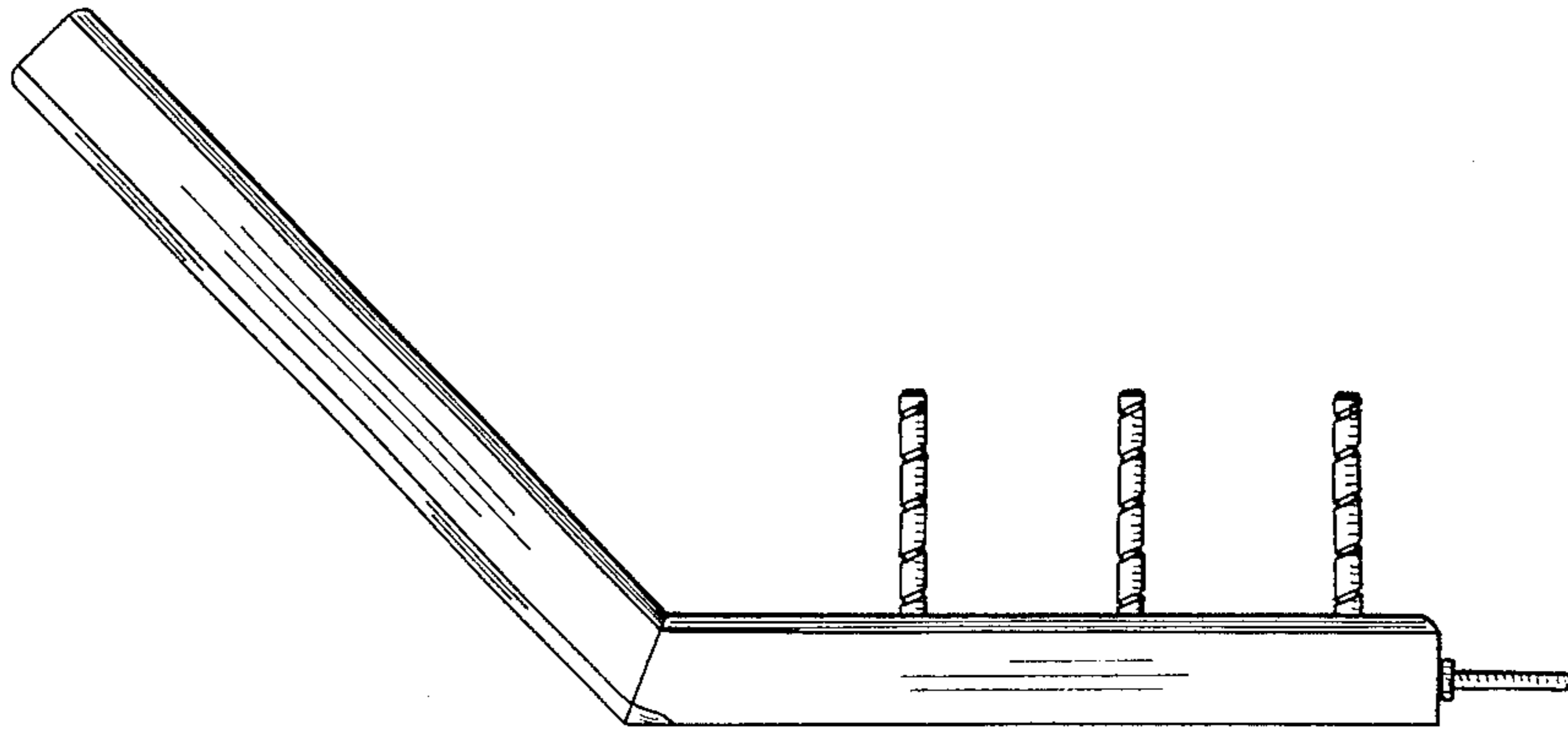


Fig. 4.

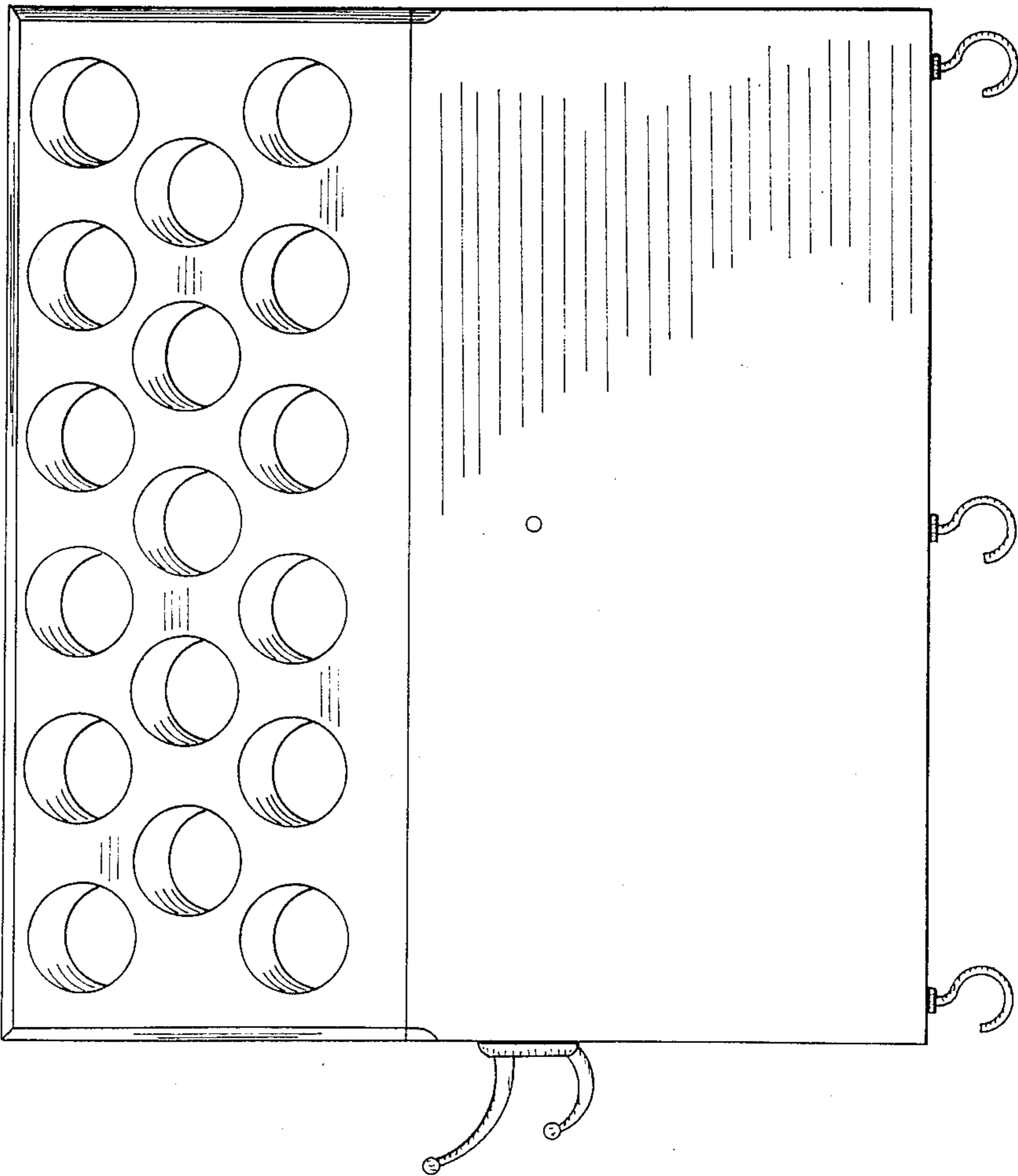


Fig. 3.

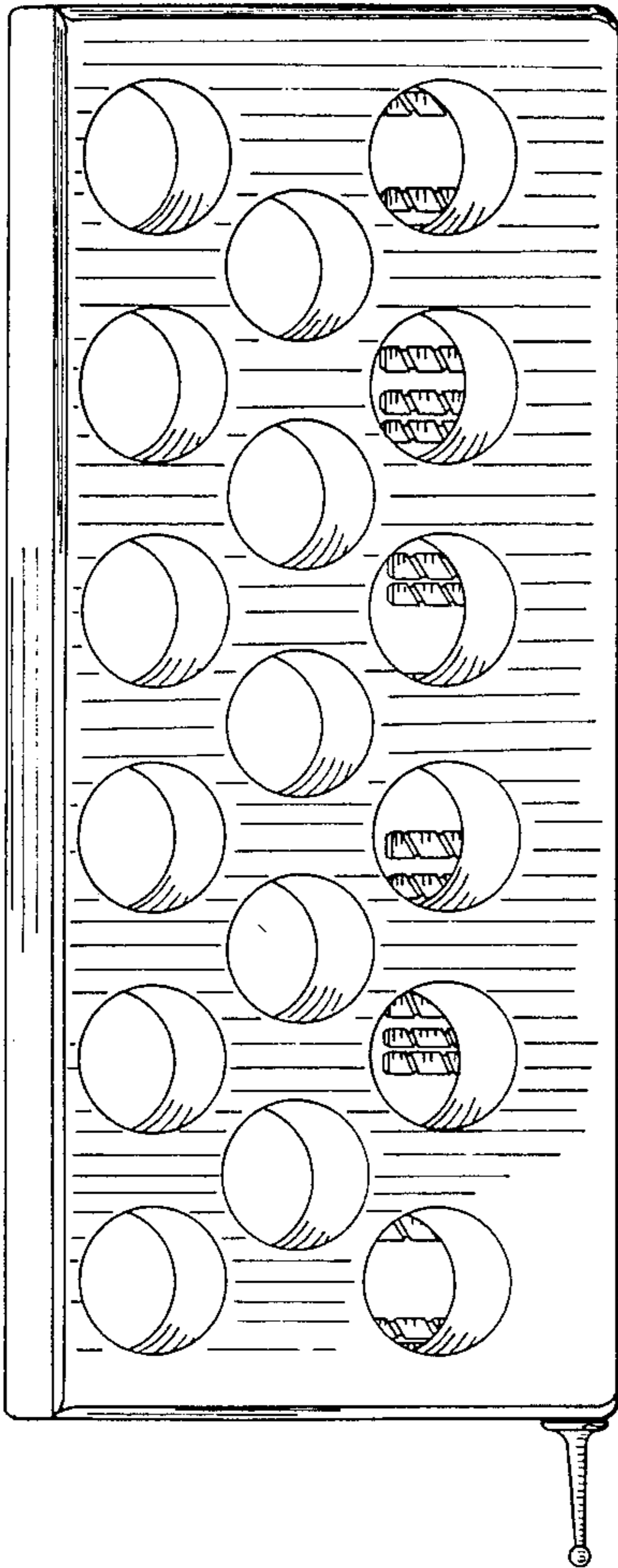


Fig. 6.

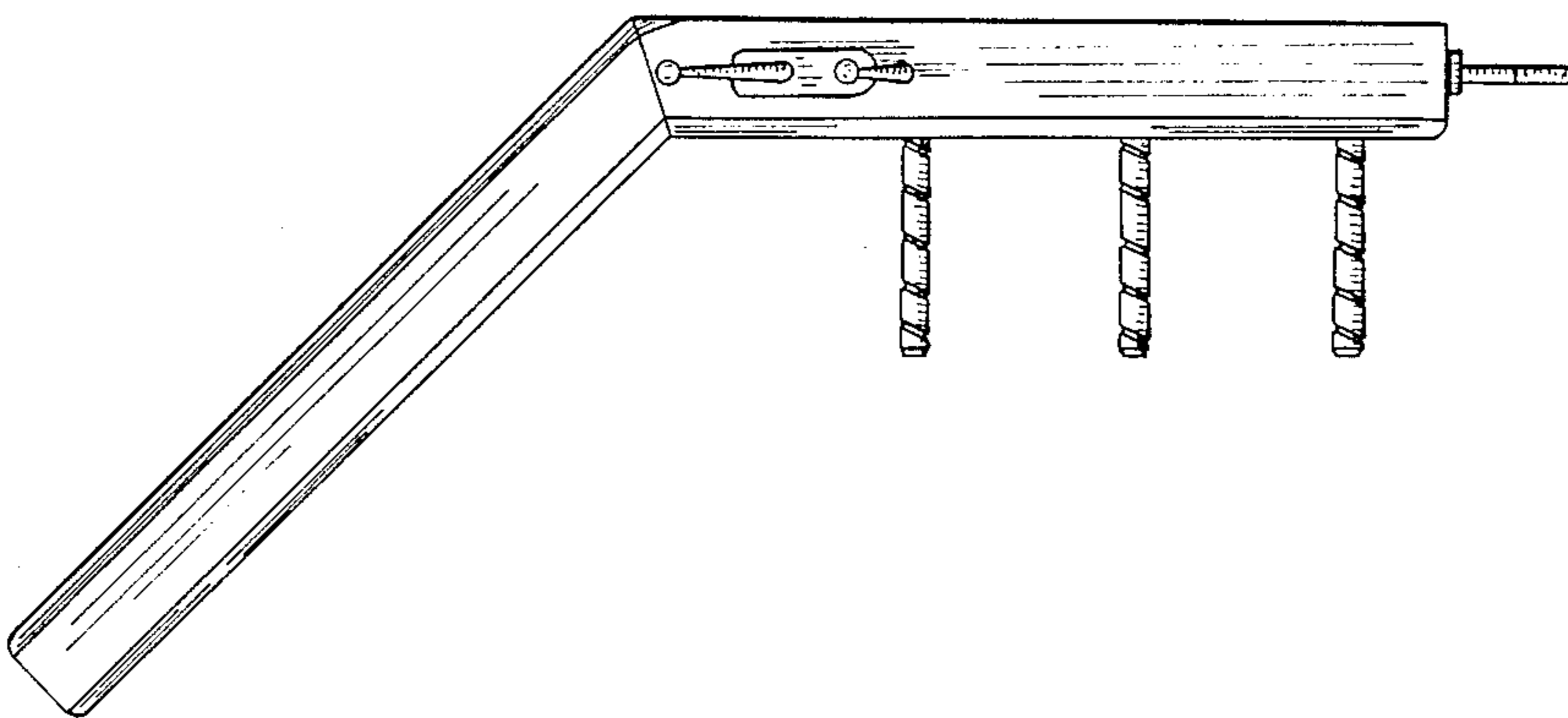


Fig. 5.

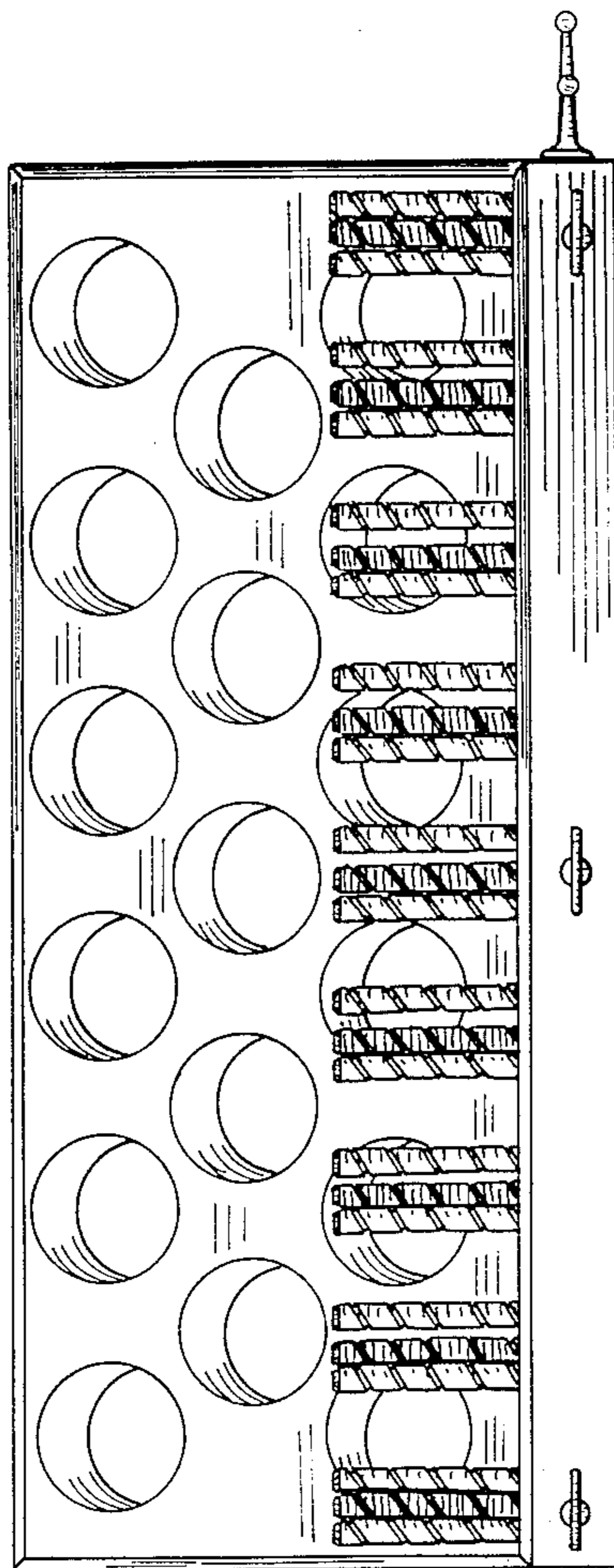


Fig. 1.