

[54] WALL MOUNTED GOLF EQUIPMENT STORAGE RACK

3,827,613 8/1974 Meyer 224/32 A
4,770,326 9/1988 Thompson 224/32 A

[75] Inventors: Steven W. Martinell, Vancouver, Wash.; Henry Y. Chin, Beaverton, Oreg.

FOREIGN PATENT DOCUMENTS

7583960 2/1981 United Kingdom 211/70.2

[73] Assignee: Racor, Inc., Portland, Oreg.

Primary Examiner—James M. Gandy
Assistant Examiner—Melody Brown
Attorney, Agent, or Firm—Chernoff, Vilhauer, McClung & Stenzel

[**] Term: 14 Years

[21] Appl. No.: 294,205

[57] CLAIM

The ornamental design for a wall-mounted golf equipment storage rack, as shown.

[22] Filed: Jan. 6, 1989

[52] U.S. Cl. D6/552; D12/115

[58] Field of Search D12/158, 16, 157, 115; 224/32 R, 32 A, 35, 39; 211/18, 19, 70.2

DESCRIPTION

[56] References Cited

U.S. PATENT DOCUMENTS

D. 166,953 6/1952 Clarke 211/70.2
D. 260,830 9/1981 Trouba D6/552
D. 299,100 12/1988 Martinell et al. D6/552
D. 301,511 6/1989 Rainsberger et al. D6/552
3,147,988 9/1964 Schuirer 211/70.2

FIG. 1 is a top, front perspective view of the wall-mounted golf equipment storage rack showing our new design.

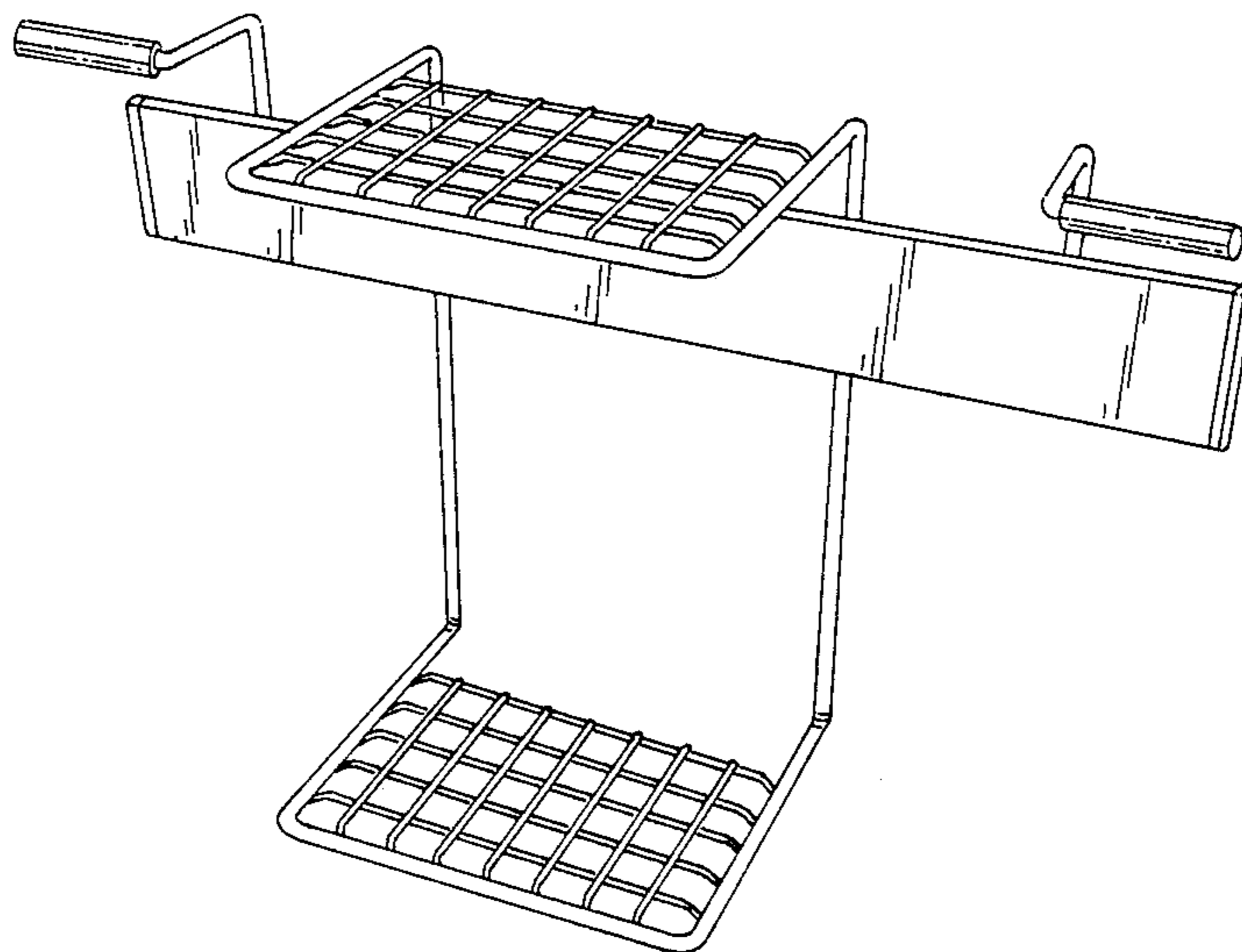
FIG. 2 is a front elevational view thereof.

FIG. 3 is a rear elevational view thereof.

FIG. 4 is a top plan view thereof.

FIG. 5 is a bottom plan view thereof.

FIG. 6 is a side elevational view thereof, the opposite side being a mirror image.



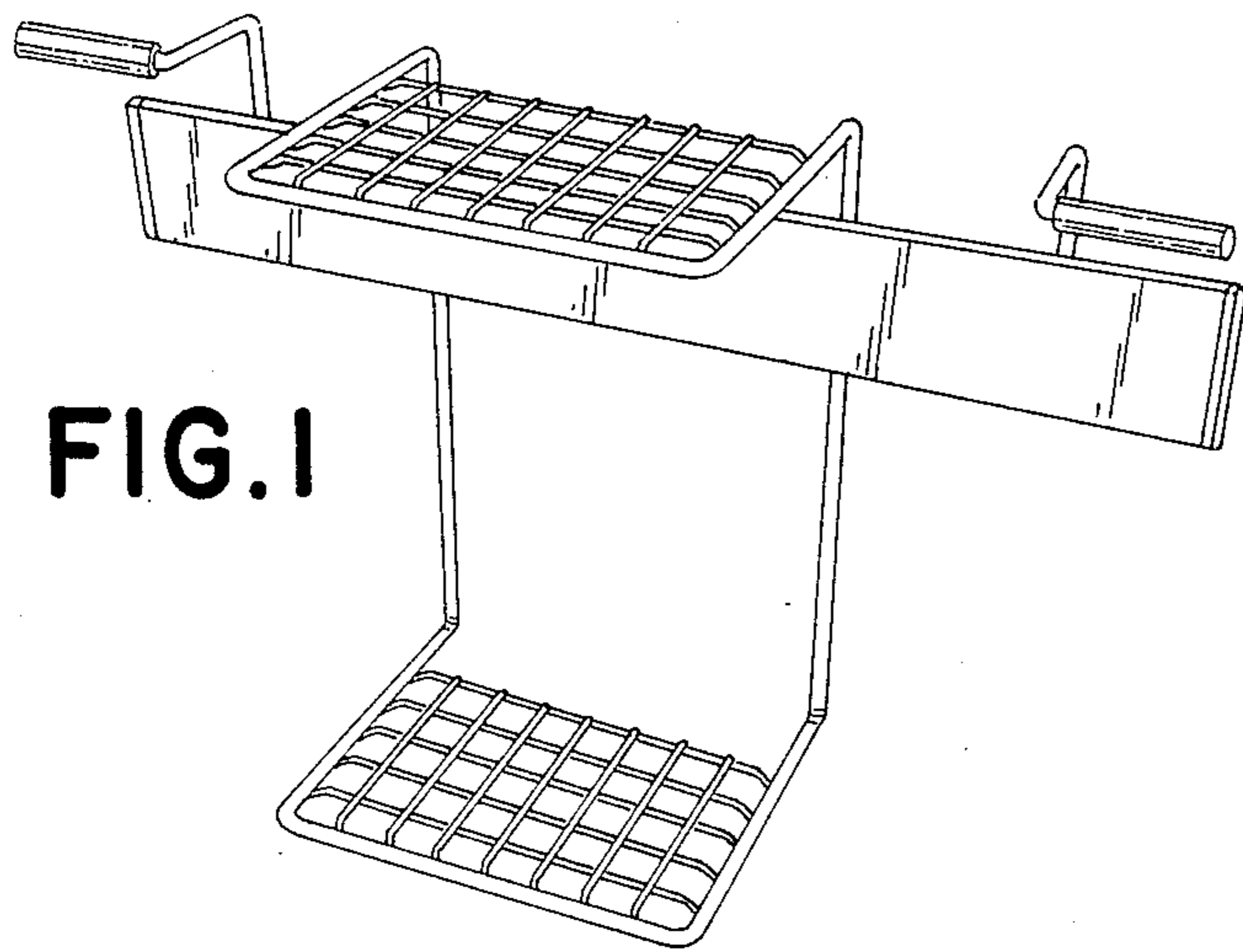


FIG. 1

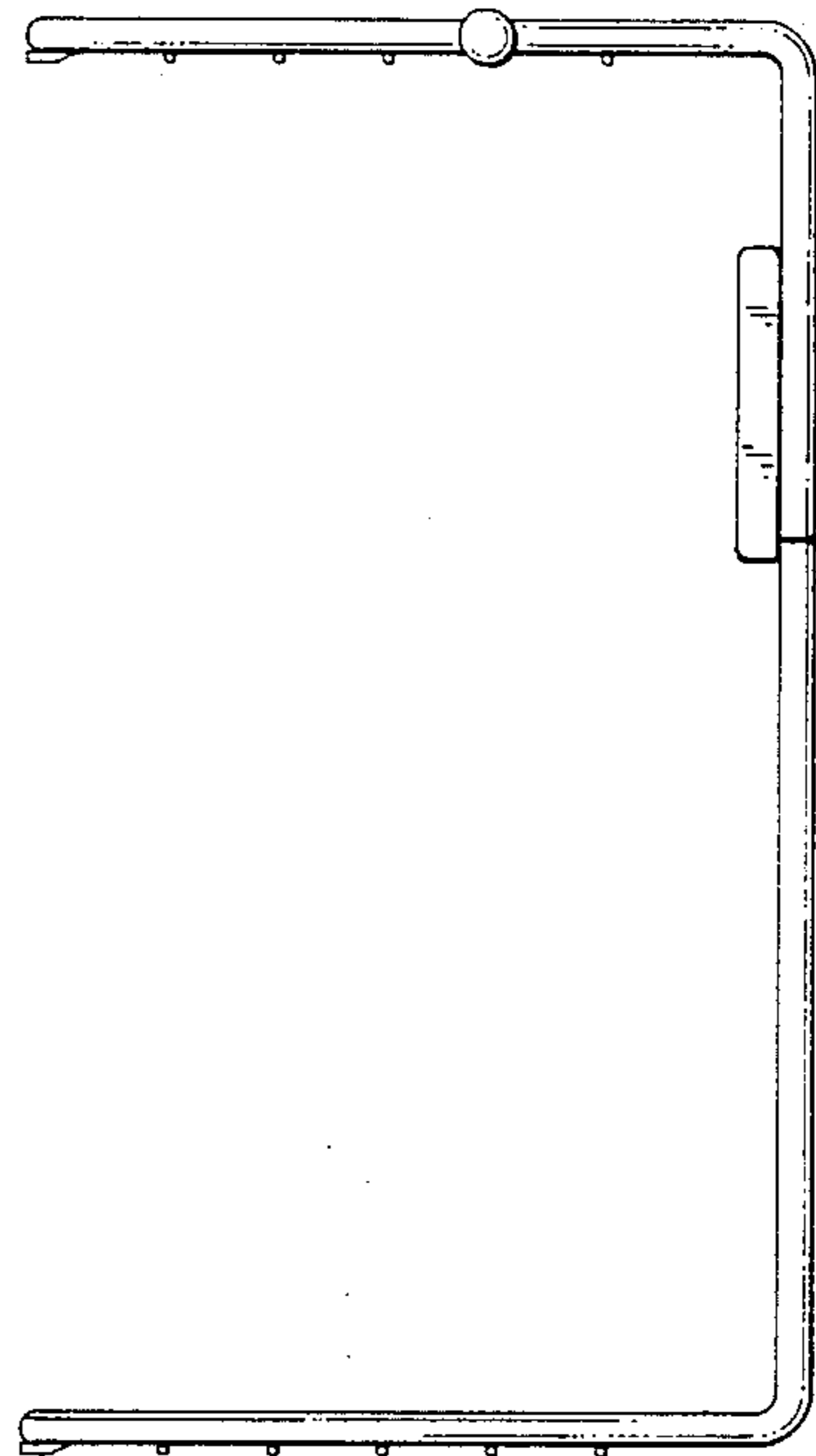


FIG. 6

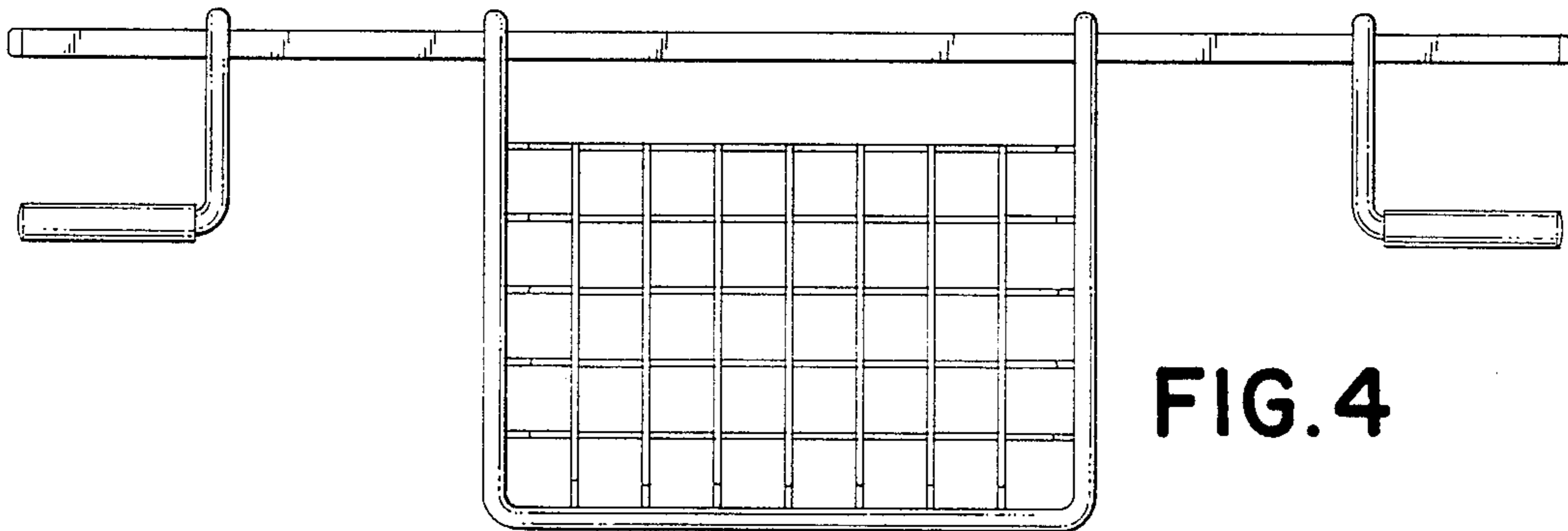


FIG. 4

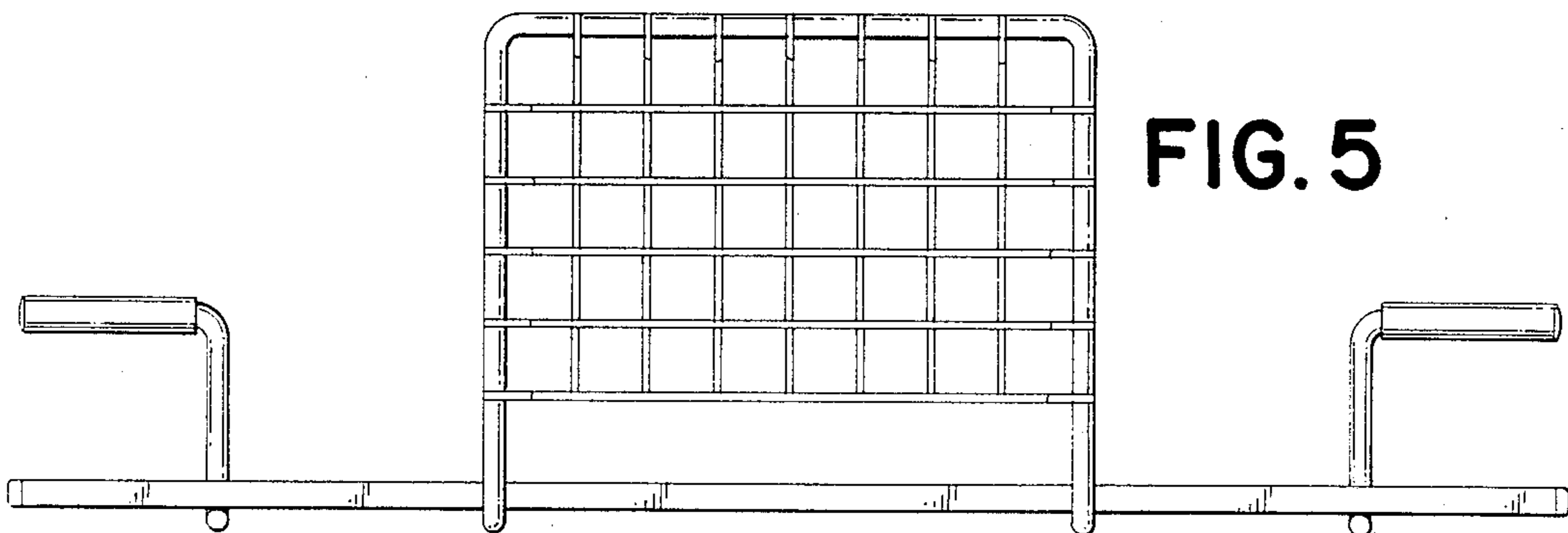


FIG. 5

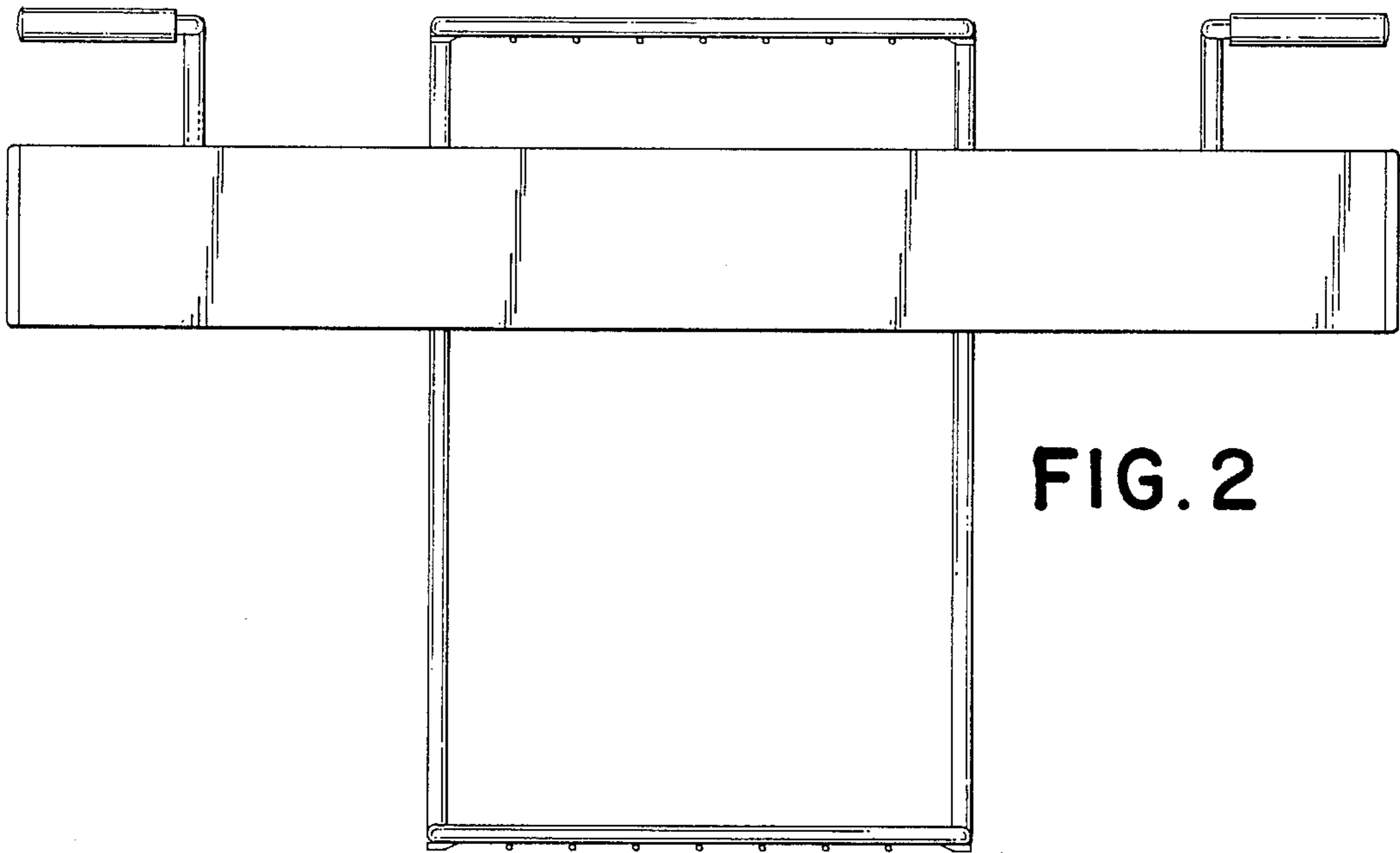


FIG. 2

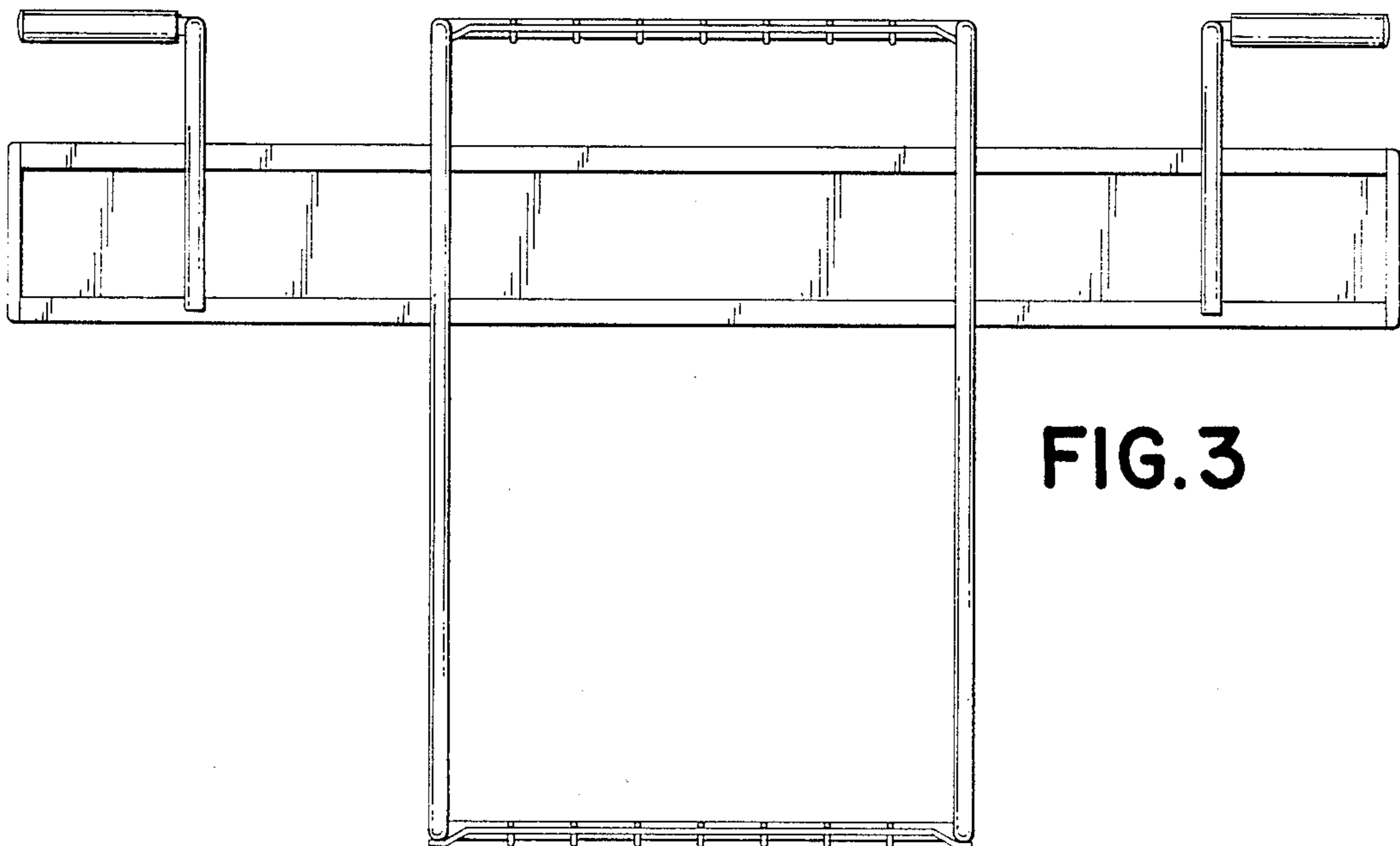


FIG. 3