

[54] SKI RACK

2,872,145 2/1959 Goldsholl ..... D6/553 X  
3,905,481 9/1975 Laterra ..... 211/70.5

[76] Inventor: P. David Lim, 5057 Cordoy La., San Jose, Calif. 95124

Primary Examiner—James M. Gandy  
Assistant Examiner—Brian N. Vinson  
Attorney, Agent, or Firm—John J. Leavitt

[\*\*] Term: 14 Years

[21] Appl. No.: 252,450

[57] CLAIM

[22] Filed: Oct. 3, 1988

The ornamental design for a ski rack, as shown and described.

[52] U.S. Cl. .... D6/552; D6/567; D6/572

[58] Field of Search ..... D6/512, 552-553, D6/567, 569-571; 211/13, 17-19, 60.1, 70.5, 86-87; D8/381

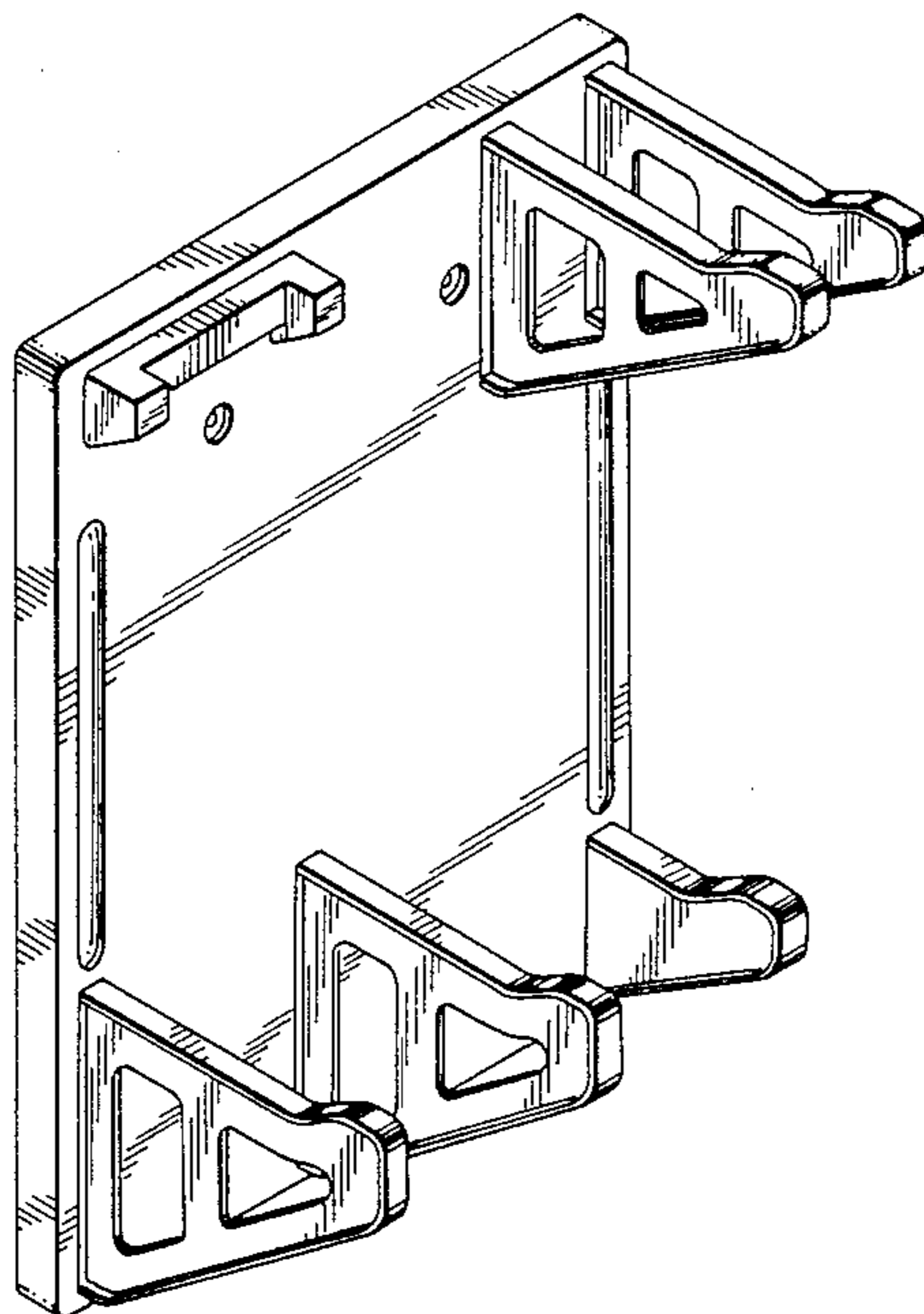
DESCRIPTION

FIG. 1 is a top, front, and left side perspective view of a ski rack showing my new design;  
FIG. 2 is a front elevational view thereof;  
FIG. 3 is a right side elevational view thereof;  
FIG. 4 is a left side elevational view thereof;  
FIG. 5 is a top plan view thereof;  
FIG. 6 is a bottom plan view thereof; and  
FIG. 7 is a rear elevational view thereof.

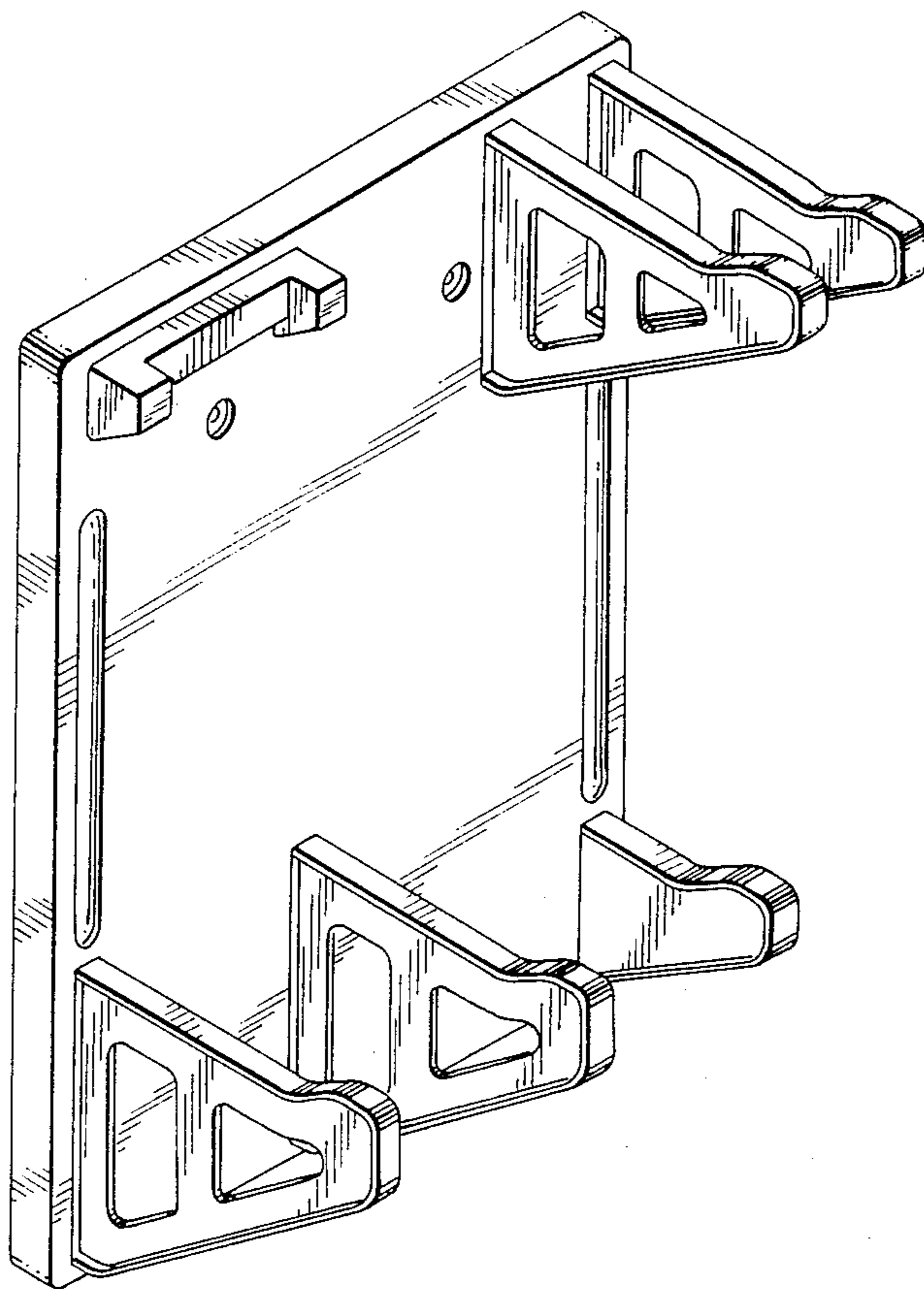
[56] References Cited

U.S. PATENT DOCUMENTS

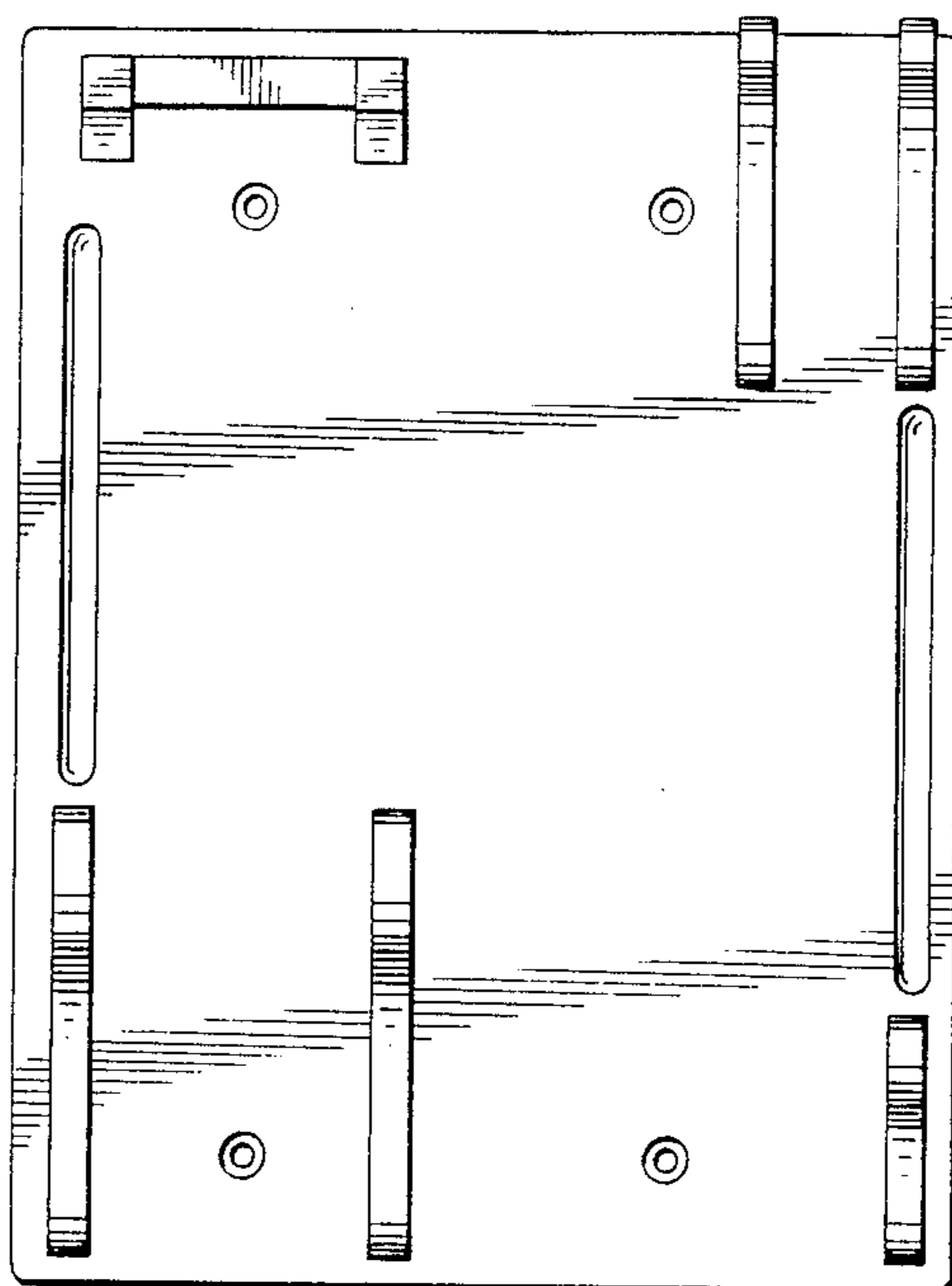
D. 290,224 6/1987 Skinner ..... D8/381  
D. 299,100 12/1988 Martinell et al. .... D6/552



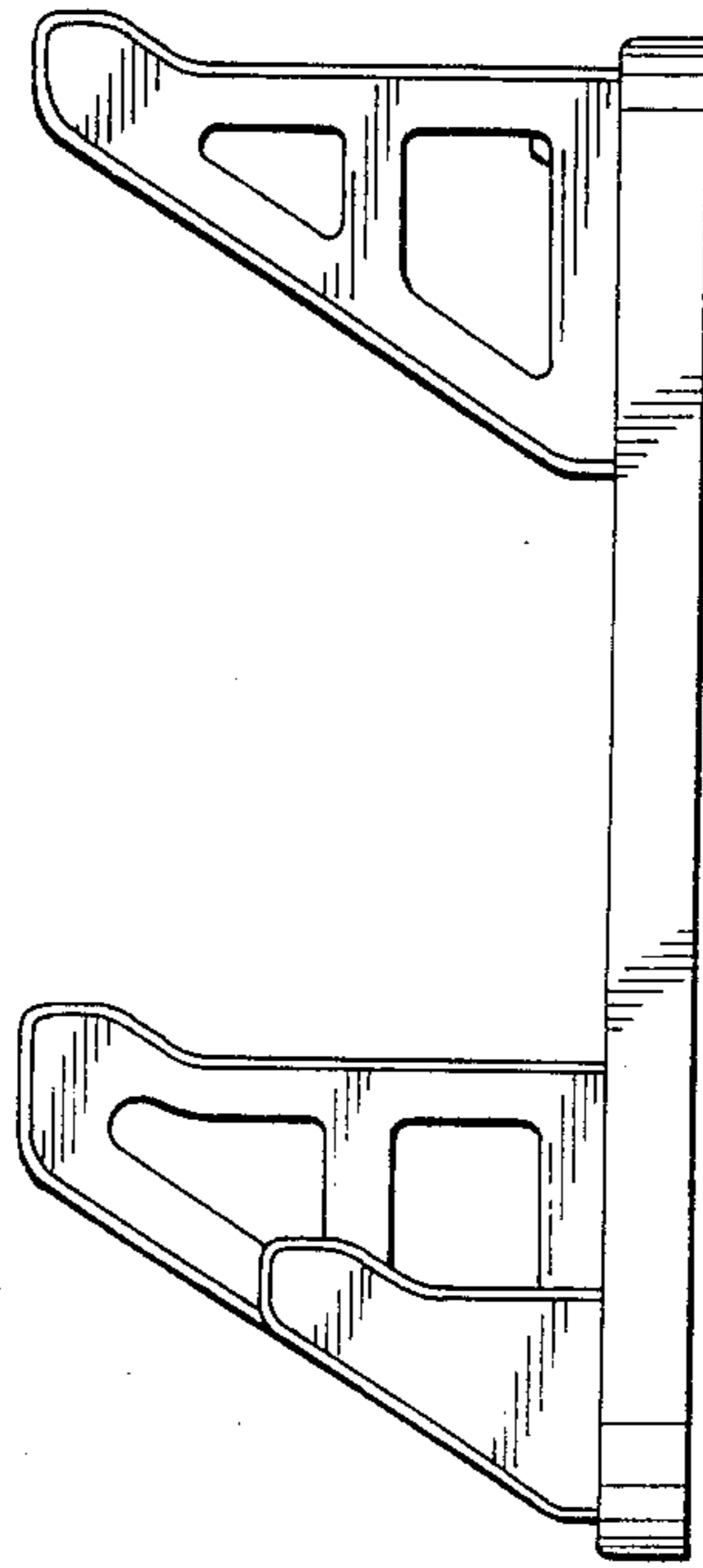
**FIG 1**



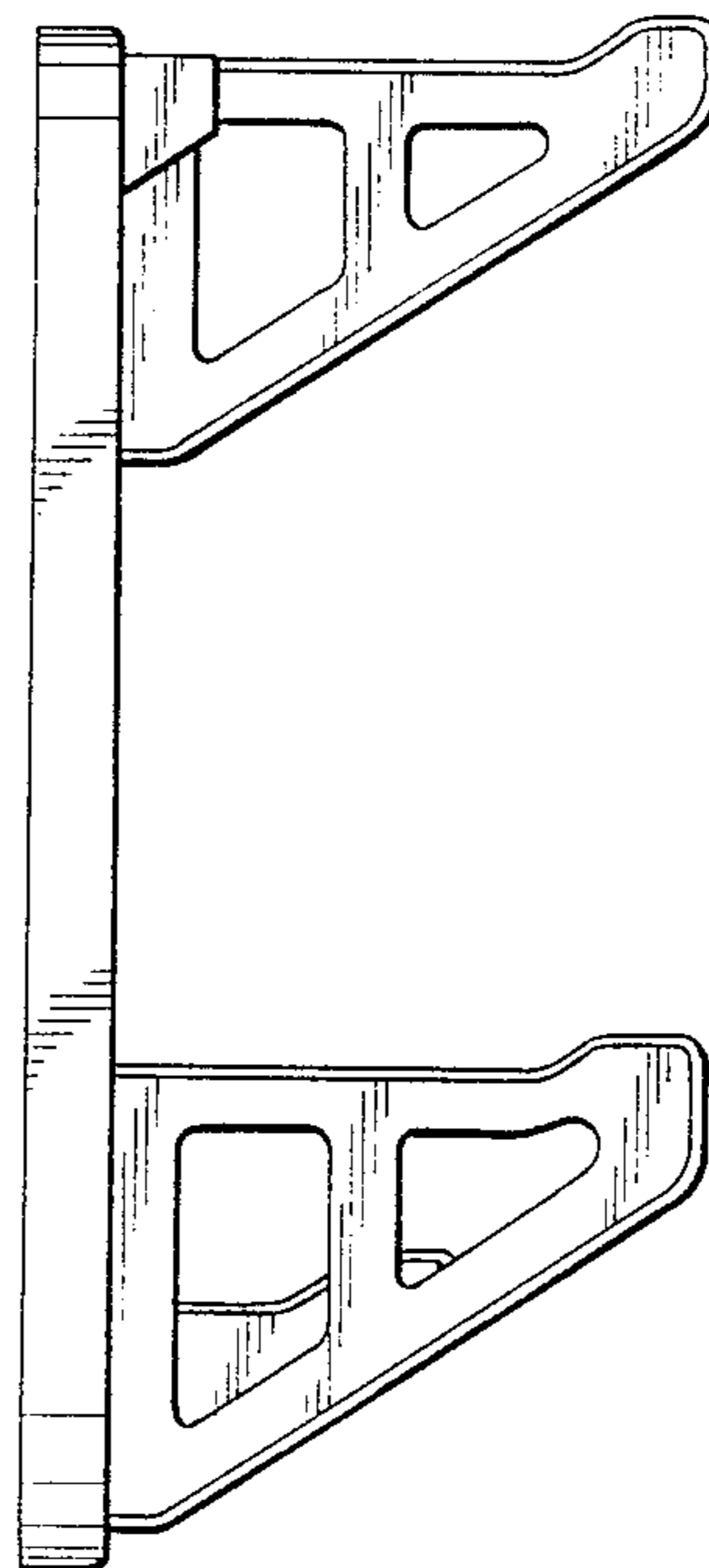
**FIG 2**



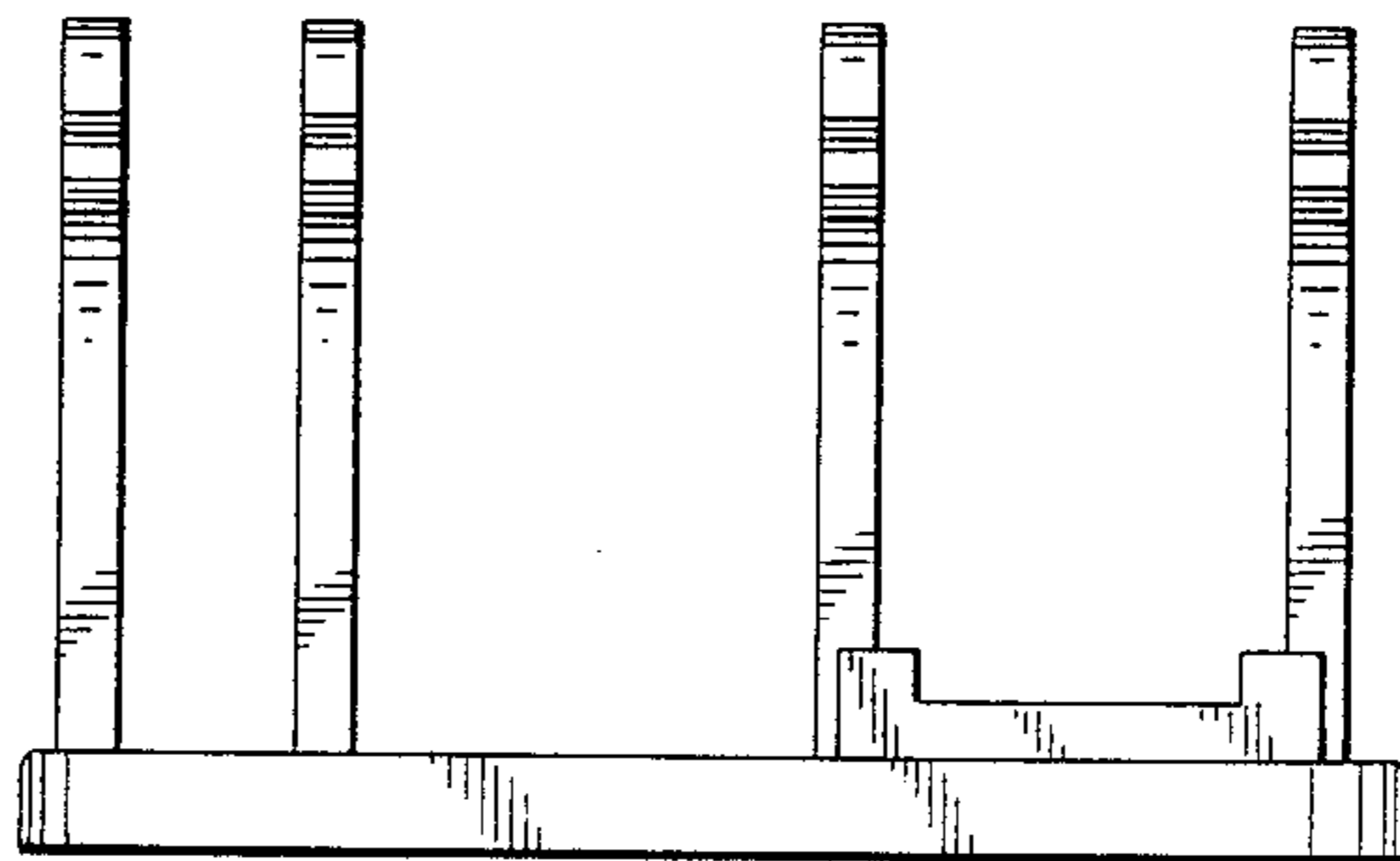
**FIG 3**



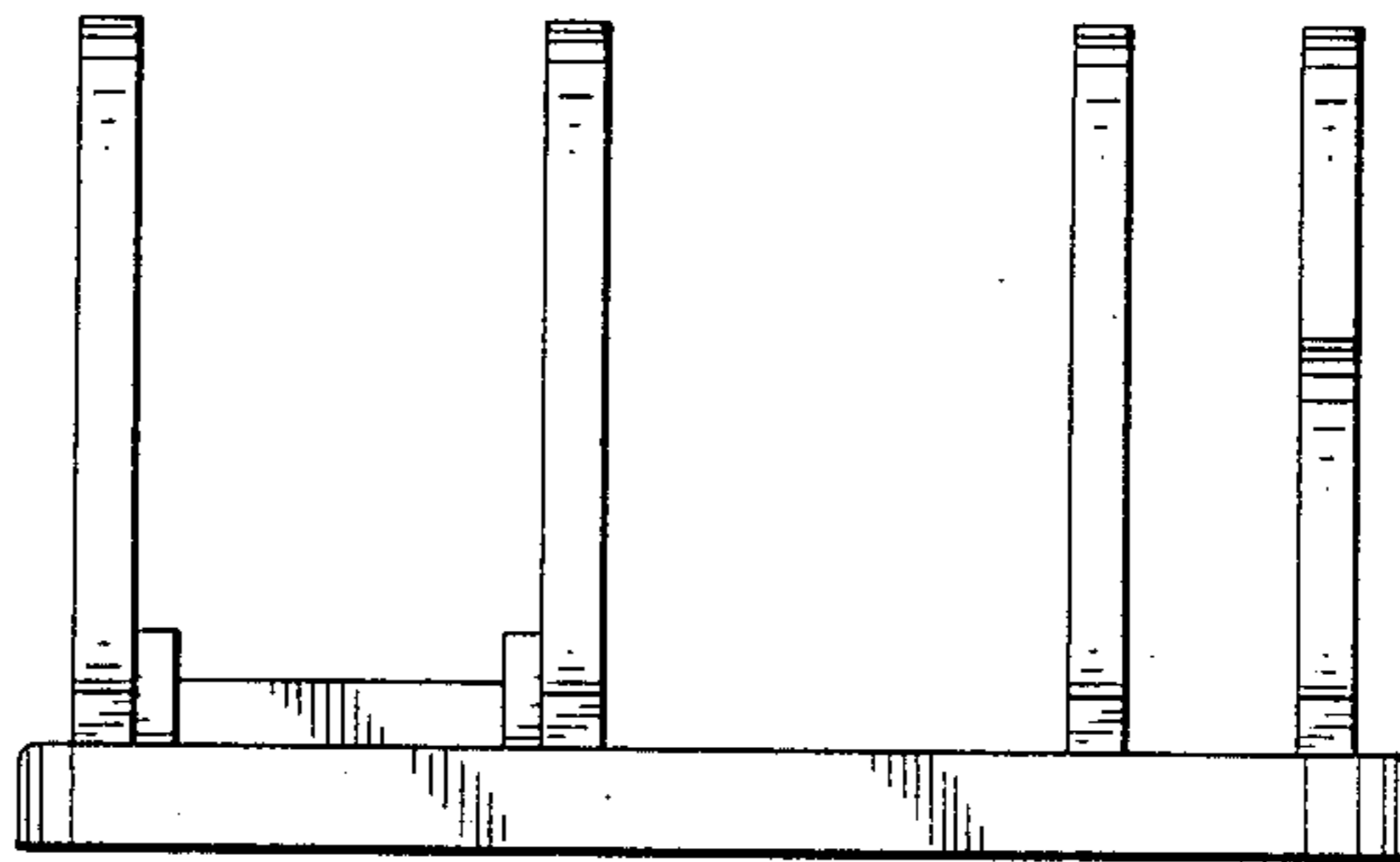
**FIG 4**



**FIG 5**



**FIG 6**



**FIG 7**

