

[54] JEWELRY RACK

[75] Inventor: Clinton D. Nelson, North Chicago, Ill.

[73] Assignee: C. D. Nelson Manufacturing Corporation, Lake Bluff, Ill.

[**] Term: 14 Years

[21] Appl. No.: 86,659

[22] Filed: Aug. 17, 1987

[52] U.S. Cl. D6/465; D6/462

[58] Field of Search D6/397, 407, 408, 418, D6/419, 429, 430, 450, 458, 462-468, 485; 211/181, 37, 41, 40; D32/55, 56, 58

[56] References Cited

U.S. PATENT DOCUMENTS

- D. 101,141 9/1936 Sanfilippo D6/464
- D. 270,118 8/1983 Wood D6/462

- D. 290,562 6/1987 Tocci D6/462
- 2,845,182 7/1958 Atkinson 211/37
- 2,969,155 1/1961 Atkinson 211/37 X
- 4,463,853 8/1984 Licari et al. 211/37

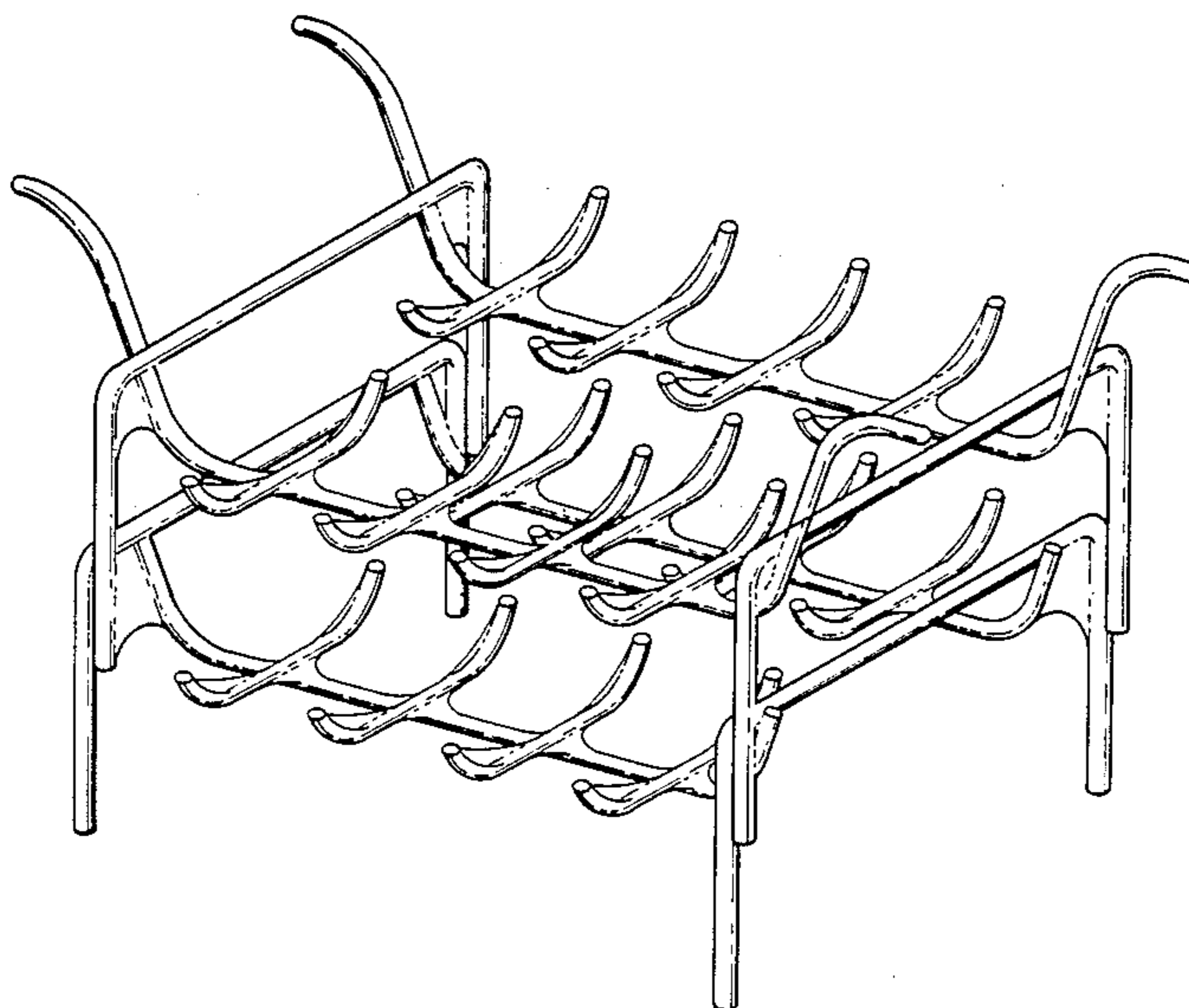
Primary Examiner—Bruce W. Dunkins
Assistant Examiner—Jeffrey Asch
Attorney, Agent, or Firm—Niro, Scavone, Haller & Niro

[57] CLAIM

The ornamental design for a jewelry rack, as shown and described.

DESCRIPTION

- FIG. 1 is a perspective view of a jewelry rack showing my new design;
- FIG. 2 is a top plan view thereof;
- FIG. 3 is a front elevational view thereof;
- FIG. 4 is a right-side elevational view thereof;
- FIG. 5 is a left-side elevational view thereof;
- FIG. 6 is a rear elevational view thereof;
- FIG. 7 is a bottom plan view thereof.



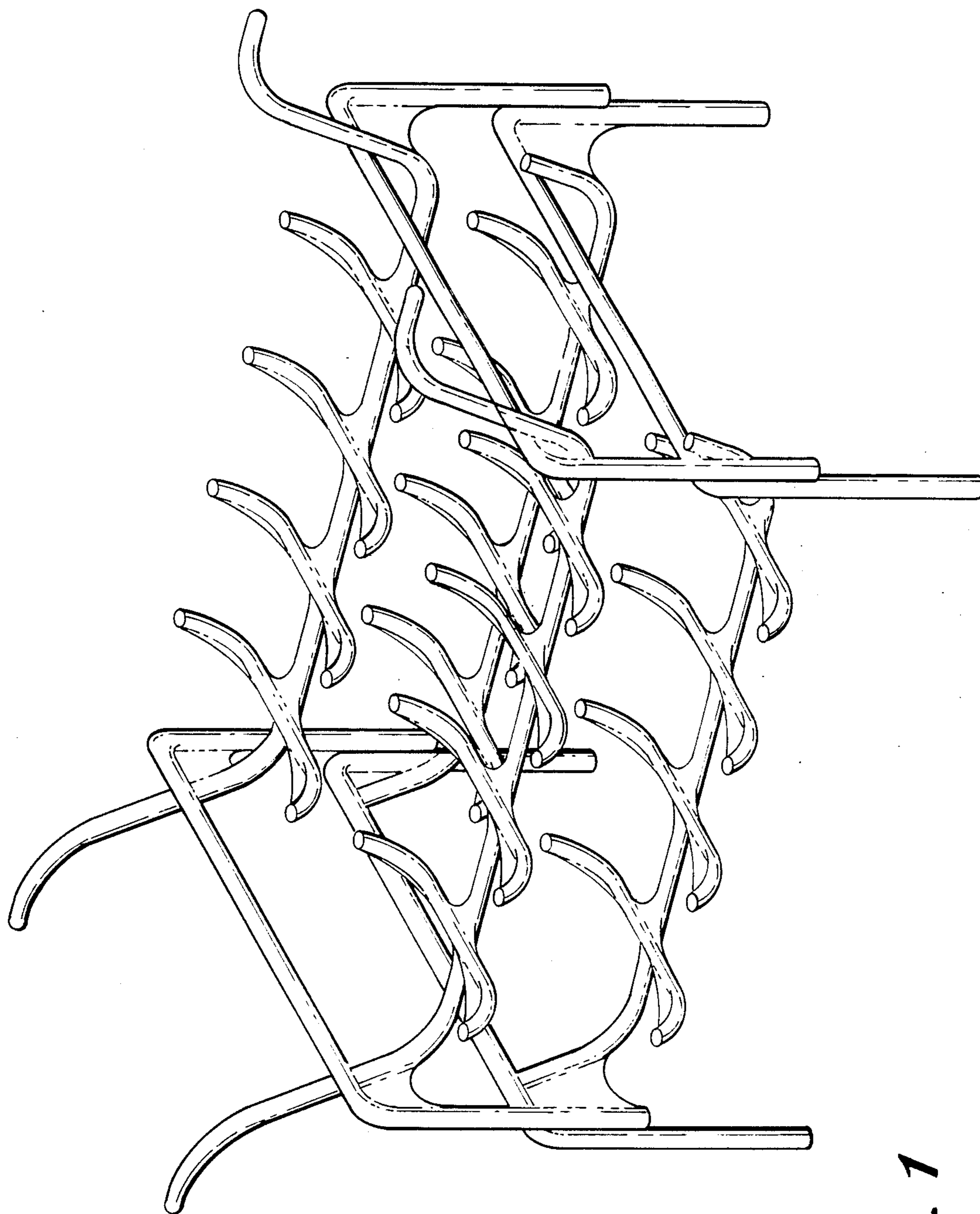


FIG. 1

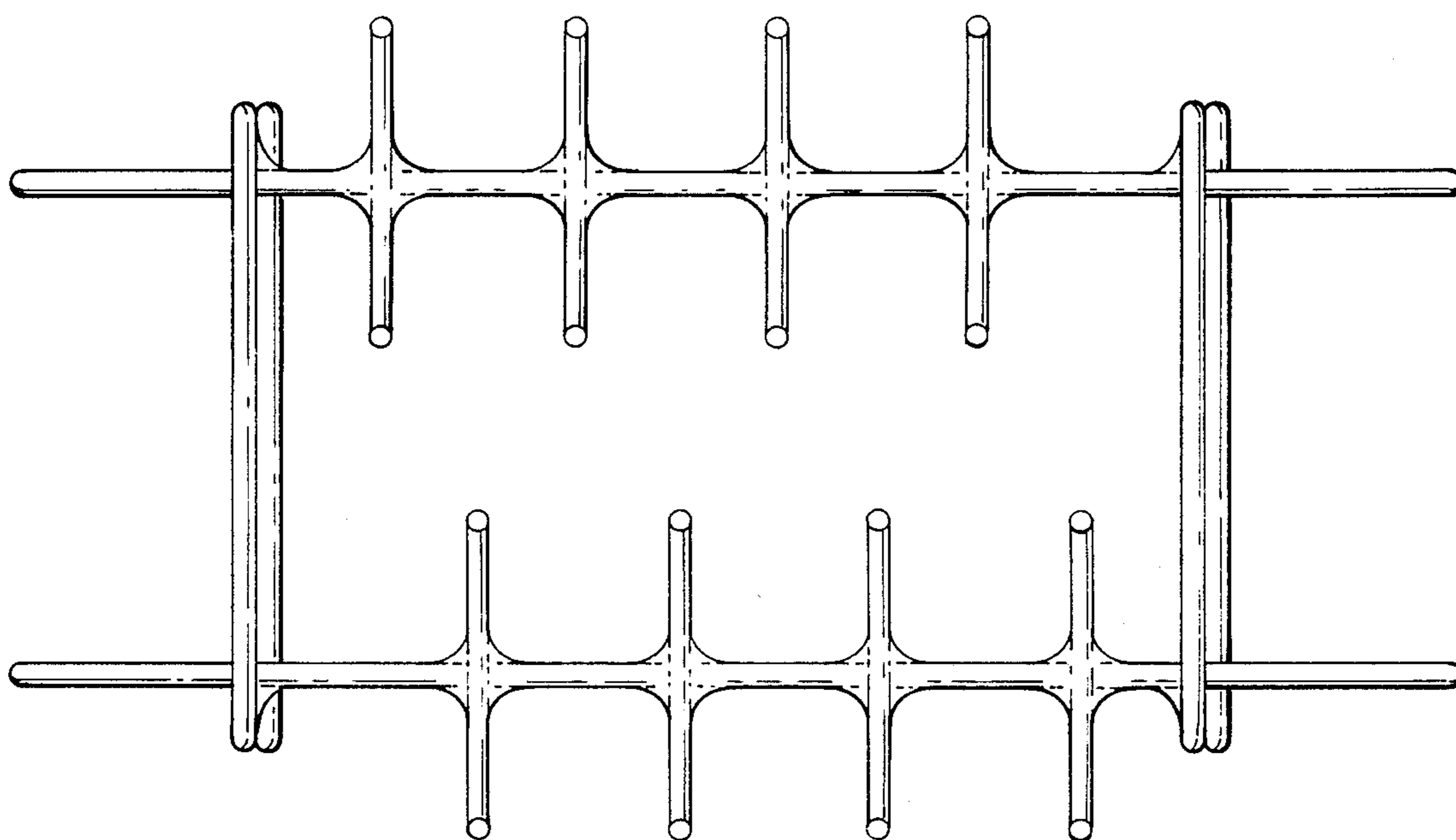


FIG. 2

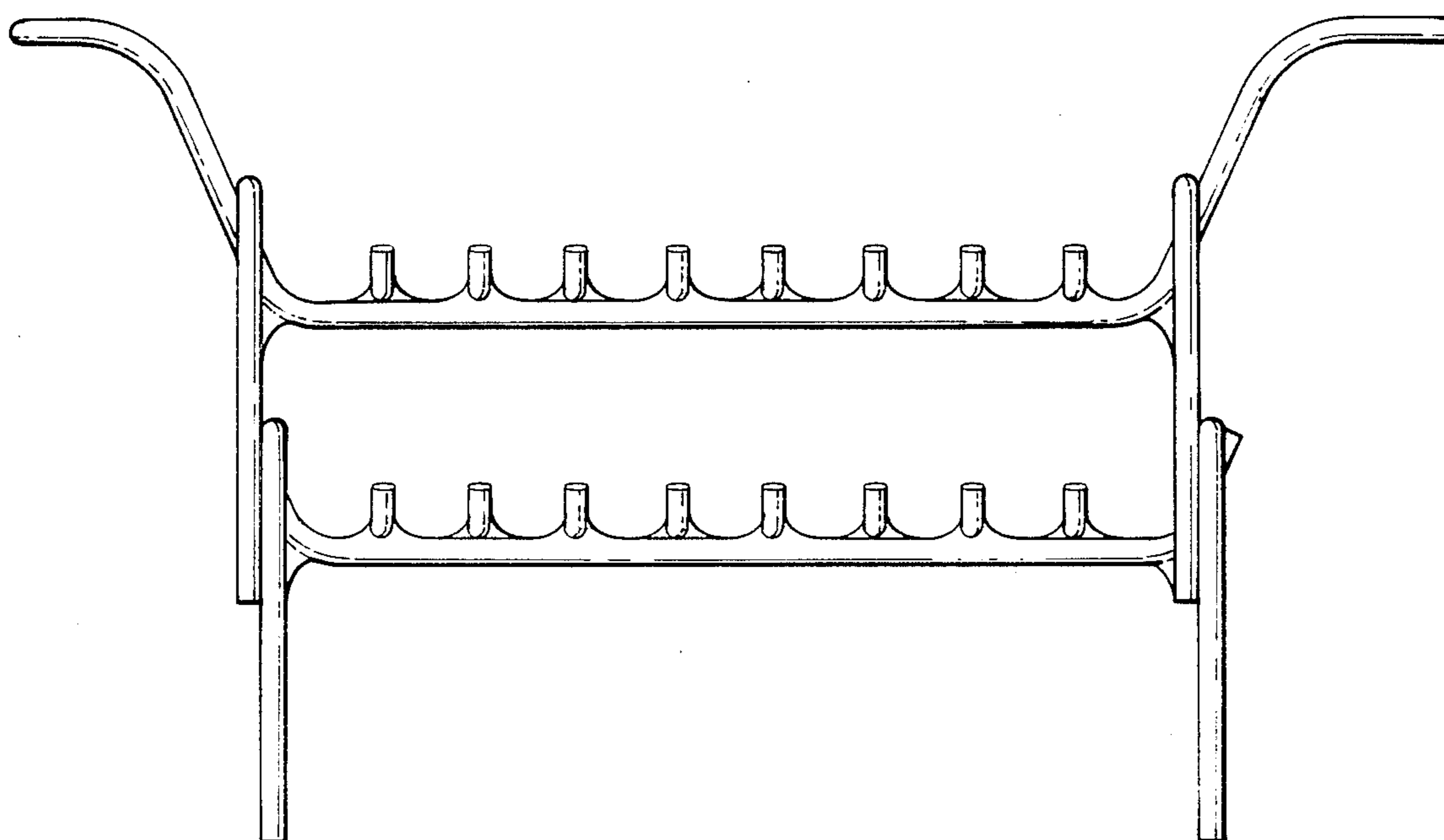


FIG. 3

FIG. 4

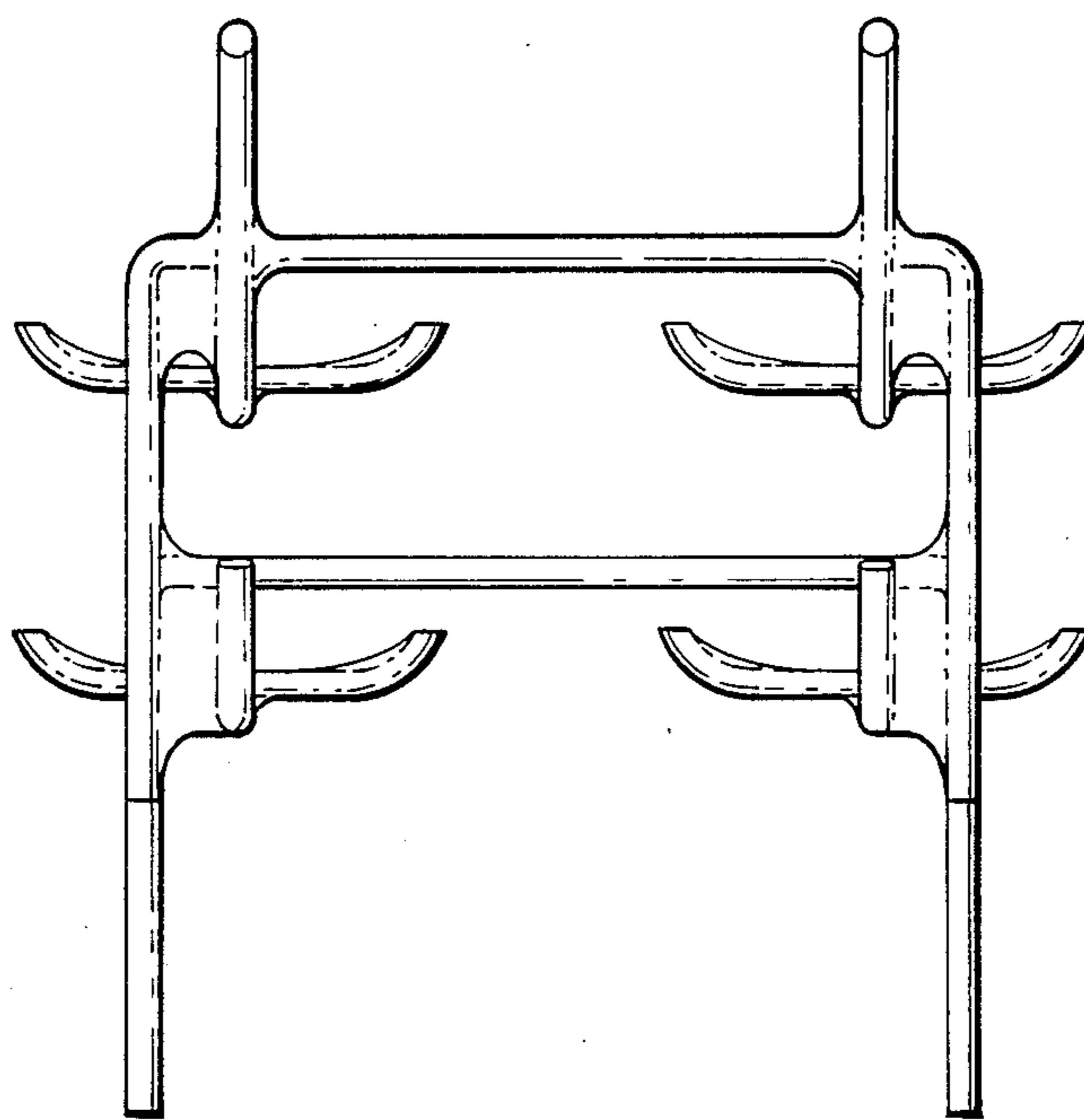
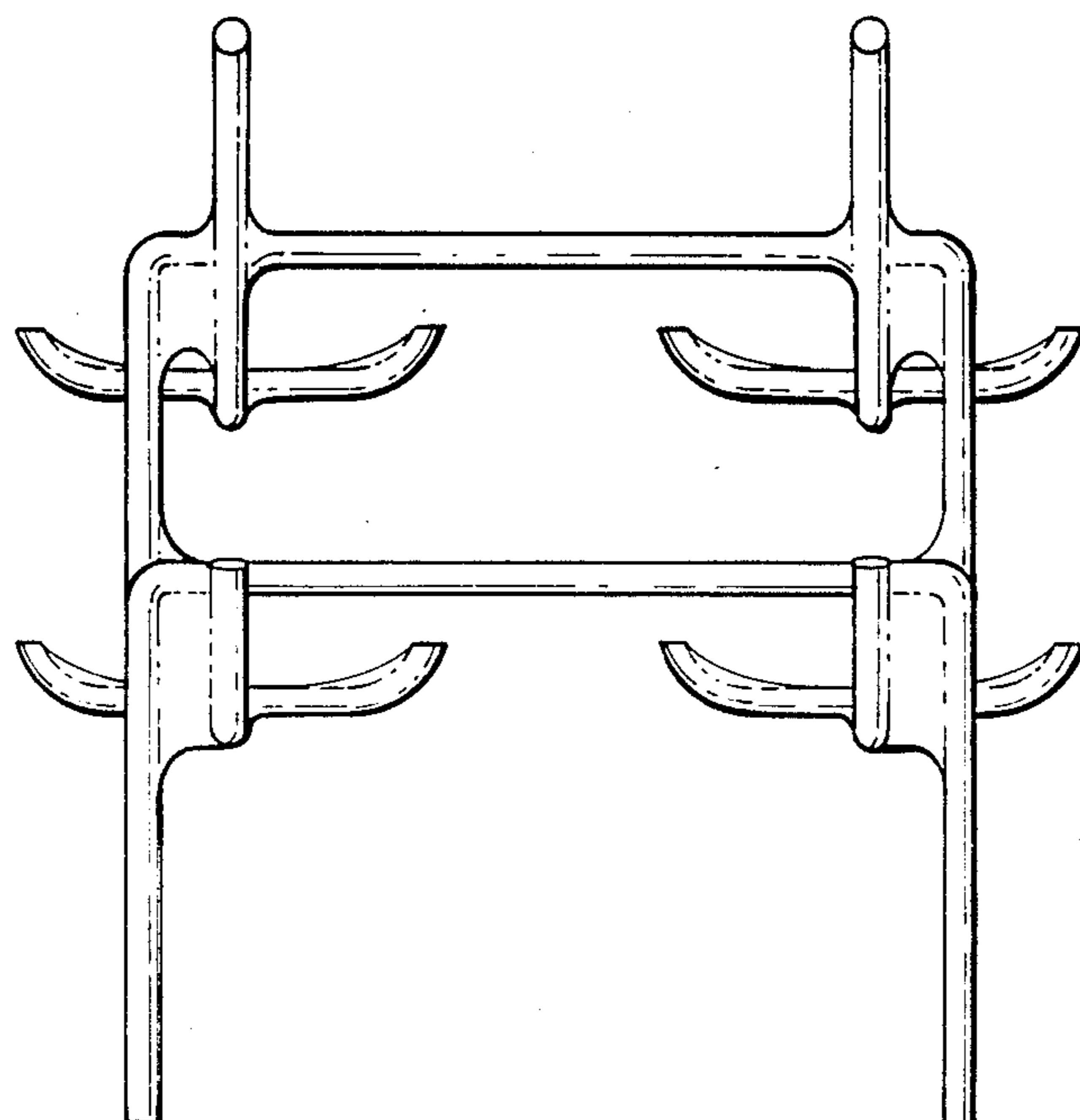


FIG. 5



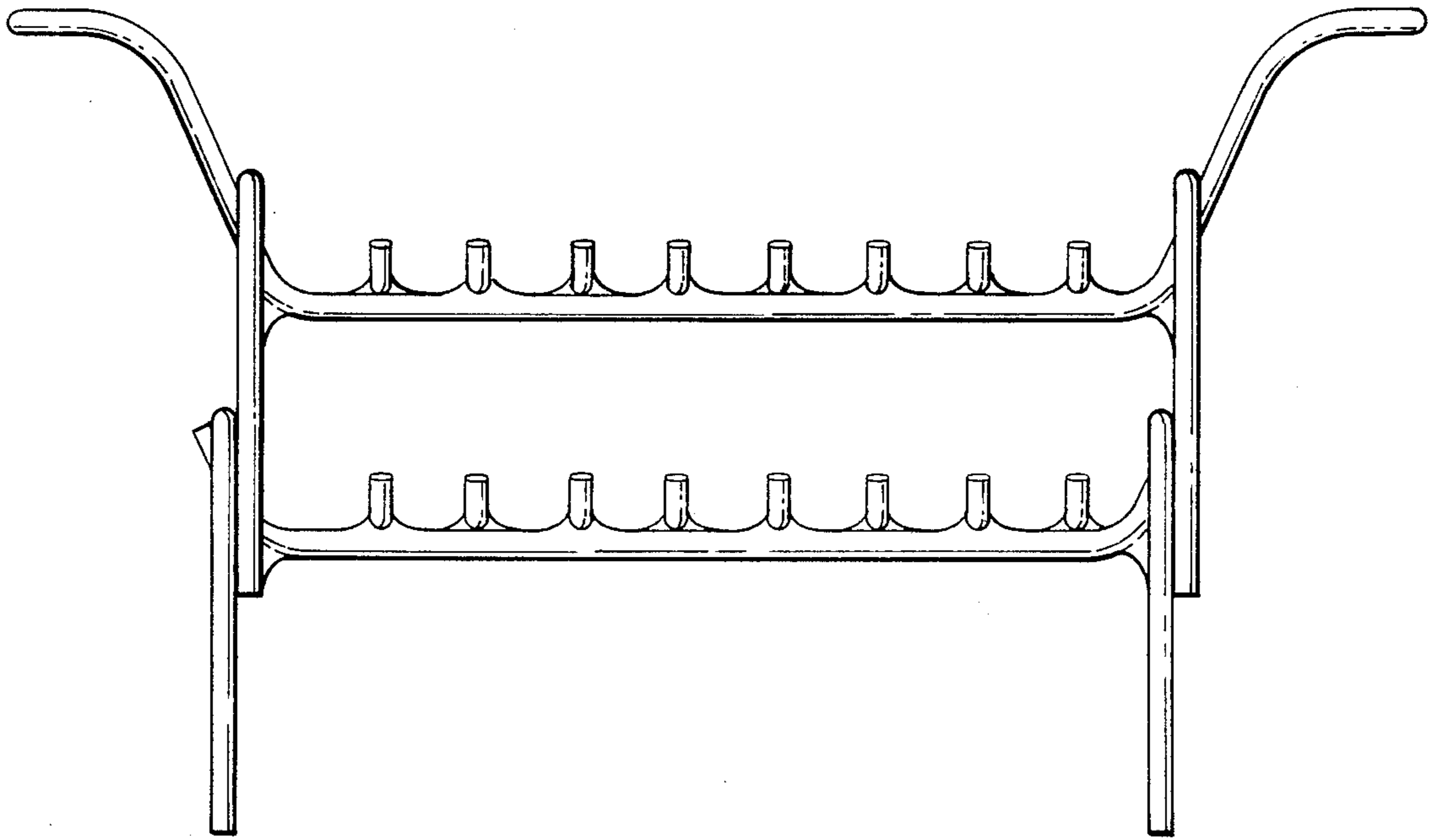


FIG. 6

FIG. 7

